



GX 600 / 800 / 1000

VERTICAL MACHINING CENTER

PARTS LIST

零件清冊

GX 000950600A

Issue : A3
Mar, 2008

漢廷股份有限公司
Hardinge Taiwan Precision Machinery Ltd.



GX 600/800/1000 PARTS LIST 零件清冊

GX 000950600A, Isu-A3

GX 600/800/1000 Parts List

圖示說明 Illustrations

1 ——— [B 表示由B,C中僅選擇其一
C Indicates choose one only

2 ——— [B 表示由B與C都要選
C Indicates B+C

(Chapter 1)

主軸箱
Headstock

主軸與主軸箱傳動
Spindle &
Spindle Transmission

主軸定位
Spindle positioning
NV 001178001A

主軸拉桿
Drawbar

齒輪箱潤滑系統
ZF gear_box-Lubrication System
NVB000331004AT

主軸部份
Spindle

主軸箱傳動部份
Spindle Transmission

8K & 8.2K +
NVC000015729A

12K Grease +
NVB000015706A
12K OIL AIR
NVD000015701AS

15K OIL AIR +
NVB000015702AS

高扭力 +
Hi-Torque
NVC000015701AT

標準
Standard

高扭力
Hi-Torque

標準
Standard

高扭力
Hi-Torque

中心給水
CTS [FANUC
NV 000000233A
SIMENS & HEIDENHAIN
NV 000000233AC

無中心給水
NO CTS [FANUC
NV 000000232A
SIMENS & HEIDENHAIN
NV 000000232AC

中心給水
CTS [FANUC
NVA000000203AS
SIMENS & HEIDENHAIN
NVA000000213AS

無中心給水
NO CTS [FANUC
NVA000000201AS
SIMENS & HEIDENHAIN
NVA000000211AS

中心給水
CTS [FANUC
NV 000000224AS
SIMENS & HEIDENHAIN
NV 000000225AS

無中心給水
NO CTS [FANUC
NV 000000223AS
SIMENS & HEIDENHAIN
NV 000000226AS

中心給水
CTS [FANUC
NV 000000203AT
SIMENS & HEIDENHAIN
NV 000000213AT

無中心給水
NO CTS [FANUC
NV 000000201AT
SIMENS & HEIDENHAIN
NV 000000211AT

中心給水
CTS
NVC000048504A

無中心給水
NO CTS
NVC000048501A

中心給水
CTS
NVB000048504AT

無中心給水
NO CTS
NVB000048501AT

中心給水
CTS
NVB000048520A

無中心給水
NO CTS
NVB000048513A

中心給水
CTS
NVA000048520AT

無中心給水
NO CTS
NVA000048513AT

接下頁
NEXT PAGE

續上頁
CONTINUE

(Chapter 2)

XYZ結構
XYZ Structure

XYZ軸定位
XYZ Axis Positioning

X軸定位
X Axis Positioning

- 標準
Standard
 - GX 600
NV 000004601A
 - GX 800
NV 000004601B
 - GX 1000
NV 000004601C
- 高扭力
HI-Torque
LA30(6-row)
 - GX 600
NV 000004601AT
 - GX 800
NV 000004601BT
 - GX 1000
NV 000004601CT

Y軸定位
Y Axis Positioning

- 標準
Standard
NV 000004603A
- 高扭力
HI-Torque
LA30(6-row)
NV 000004603AT

Z軸定位

- 標準
Standard
 - 斗笠式
Carousel
NVA000004701A
 - 換刀臂
Swim Arm
NVA000004701AT
- 高扭力
HI-Torque
LA30(6-row)
 - 斗笠式
Carousel
NV 000004702AT

- 有配重
Counter Balance
 - GX 600
NVA000004602A
 - GX 800
NVA000004602B
 - GX 1000
NVA000004602C
- 標準
Standard
 - 無配重
No Counter Balance
 - GX 600
NVA000004612A
 - GX 800
NVA000004612B
 - GX 1000
NVA000004612C

FANUC

- 高扭力
HI-Torque
Ø40 ballscrew
 - GX 600
NVA000004602AT
 - GX 800
NVA000004602BT
 - GX 1000
NVA000004602CT

- 快速進給
Rapid
32m/min
 - GX 600
NVA000004626A
 - GX 800
NVA000004626B
 - GX 1000
NVA000004626C

XYZ軸傳動
XYZ Axis Transmission

X軸傳動
X Axis Transmission

接下頁
NEXT PAGE

接下頁
NEXT PAGE

接下頁
NEXT PAGE

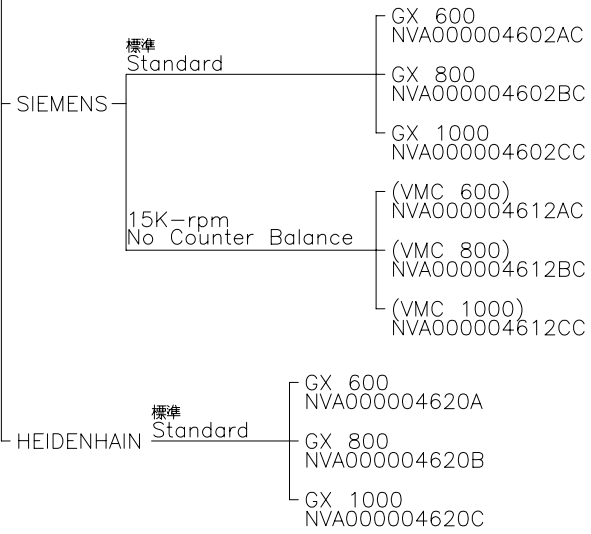
接下頁
NEXT PAGE

續上頁
CONTINUE

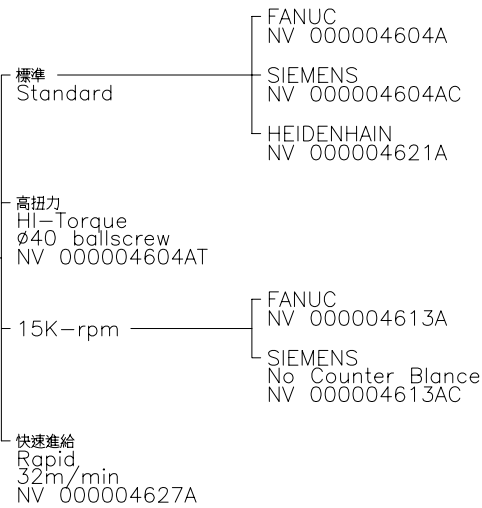
續上頁
CONTINUE

續上頁
CONTINUE

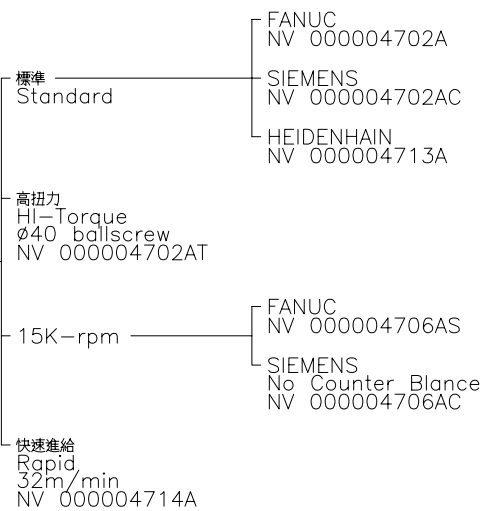
續上頁
CONTINUE



Y軸傳動
Y Axis
Transmission



Z軸傳動
Z Axis
Transmission

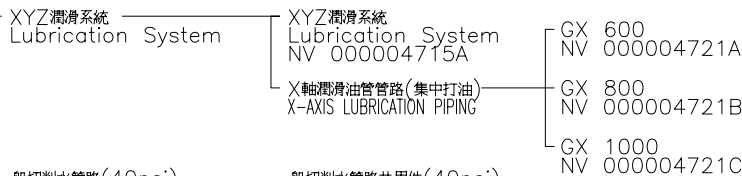
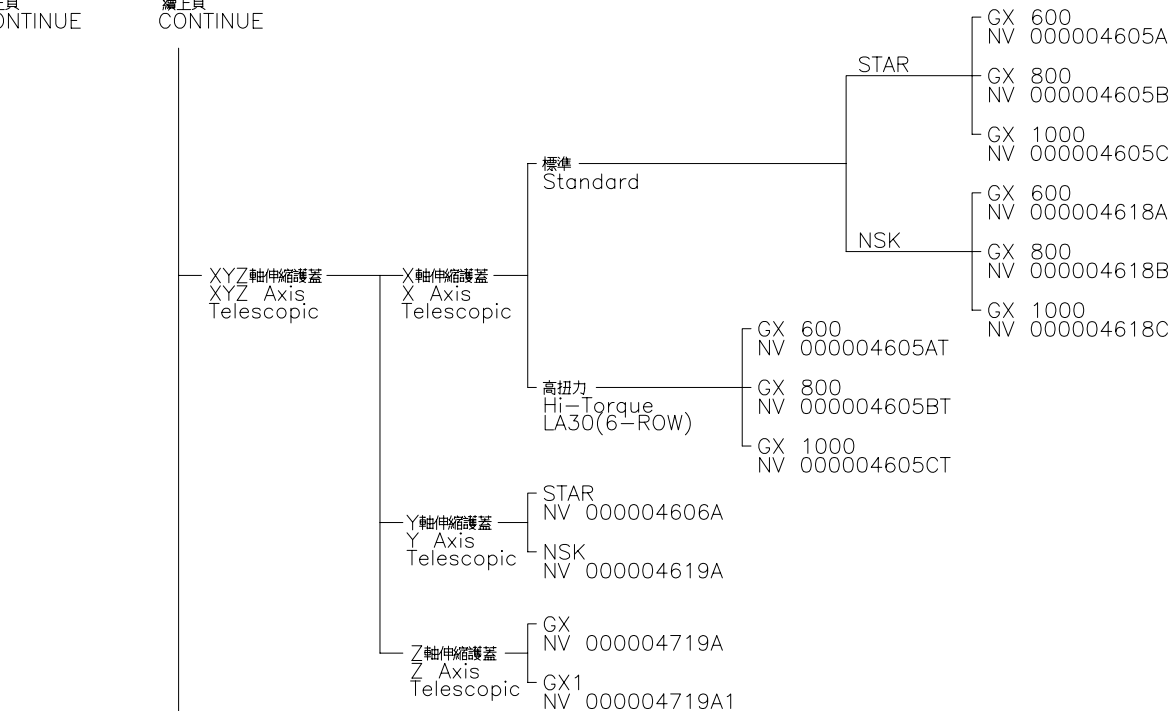


接下頁
NEXT PAGE

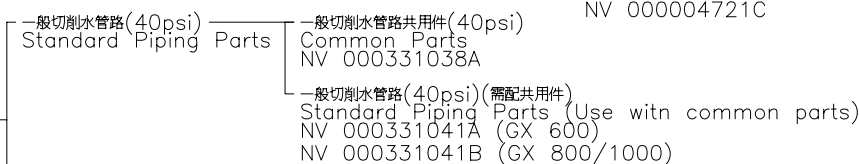
接下頁
NEXT PAGE

續上頁
CONTINUE

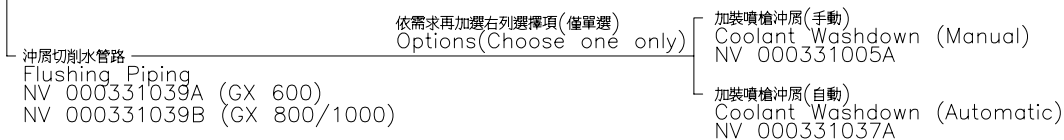
續上頁
CONTINUE



(Chapter 3)
切削水管路
Piping Parts



中心給水切削水管路(280psi)
CTS Piping Parts
NV 000331040A



(Chapter 4)
氣壓零組件
Pneumatic
Parts

由A,B組成
Composed of A and B
(主軸轉速8K,10K,12K,15K)
(Spindle 8K,10K,12K,15K)

A部分(單選)
Part A(Choose one only)



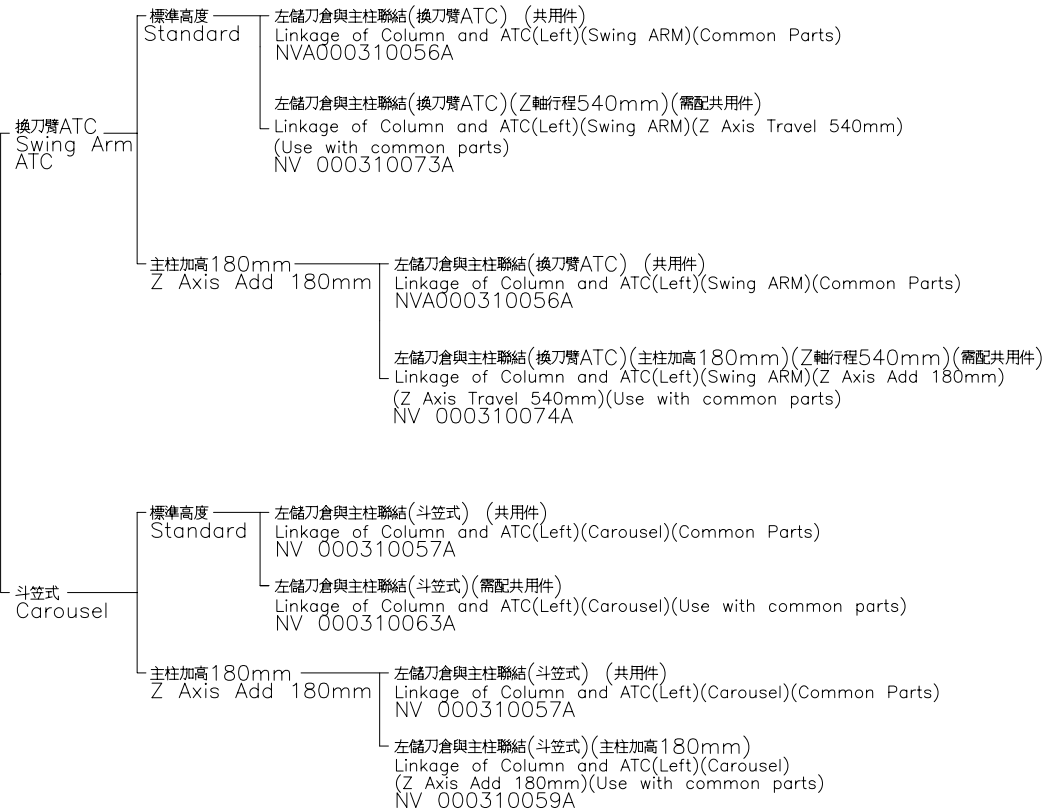
B部分(可複選)
Part B(Can choose more than one)



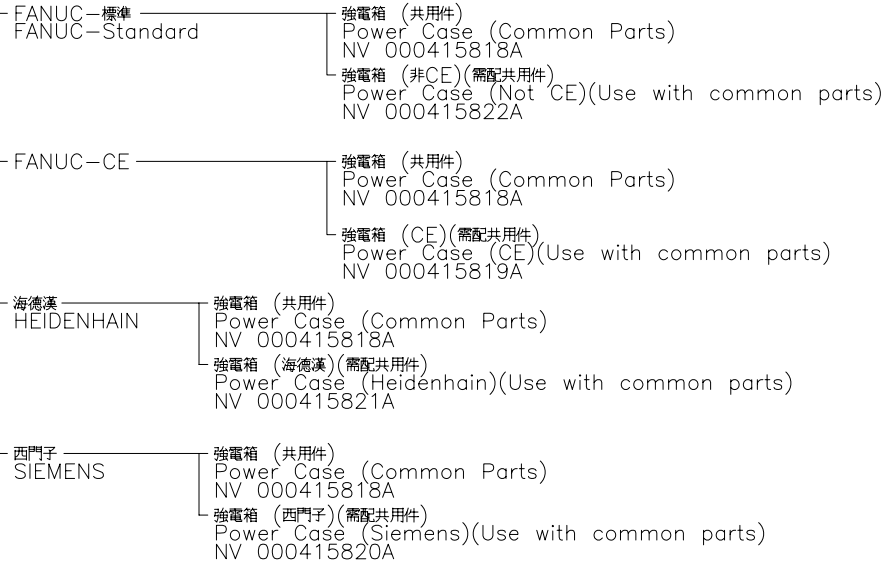
接下頁
NEXT PAGE

續上頁
CONTINUE

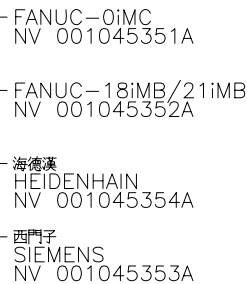
(Chapter 5)
儲刀倉
Magazine



(Chapter 6)
強電箱
Power
Case



(Chapter 7)
操作箱
Operating
Cabinet



接下頁
NEXT PAGE

續上頁
CONTINUE

- (Chapter 8)
外型板金
Enclosure Assm.
 - GX 600
NV 001045340A
 - GX 800/1000
NVA001045340B
 - Window T=8mm/12K(含)以下
NV 001045358A
 - Window T=12mm/15K(含)以下
NV 001045359A

- (Chapter 9)
切削水箱
Coolant Tank
 - GX 600
 - 切削水箱+集屑桶
Coolant Tank & Chip Bucket
 - 切削水箱
Coolant Tank
NV 000331516A
 - 集屑桶
Chip Bucket
NV 000331517A
 - 切削水箱+除屑機
Coolant Tank & Chip Conveyor
 - 切削水箱
Coolant Tank
NV 000331516A
 - 除屑機
Chip Conveyor
NV 000207010A
 - GX 800/1000
 - 切削水箱+集屑桶
Coolant Tank & Chip Bucket
 - 切削水箱
Coolant Tank
NV 000331516B
 - 集屑桶
Chip Bucket
NV 000331517A
 - 切削水箱+除屑機
Coolant Tank & Chip Conveyor
 - 切削水箱
Coolant Tank
NV 000331516B
 - 除屑機
Chip Conveyor
NV 000207010B

- (Chapter 10)
運輸用固定零件
Shipping Parts
NV 001045302A

- (Chapter 11)
配重
Counter Balance
 - 290KG
 - 不裝配重導桿
Without Guide Rod
NVA000733001A
 - 裝配重導桿
With Guide Rod
 - 290KG配重
290KG Balance Weight
NVA000733001A
 - 配重導桿
Guide Rod
NVA000733003A
 - 350KG
 - 不裝配重導桿
Without Guide Rod
NVA000733002A
 - 裝配重導桿
With Guide Rod
 - 350KG配重
350KG Balance Weight
NVA000733002A
 - 配重導桿
Guide Rod
NVA000733003A

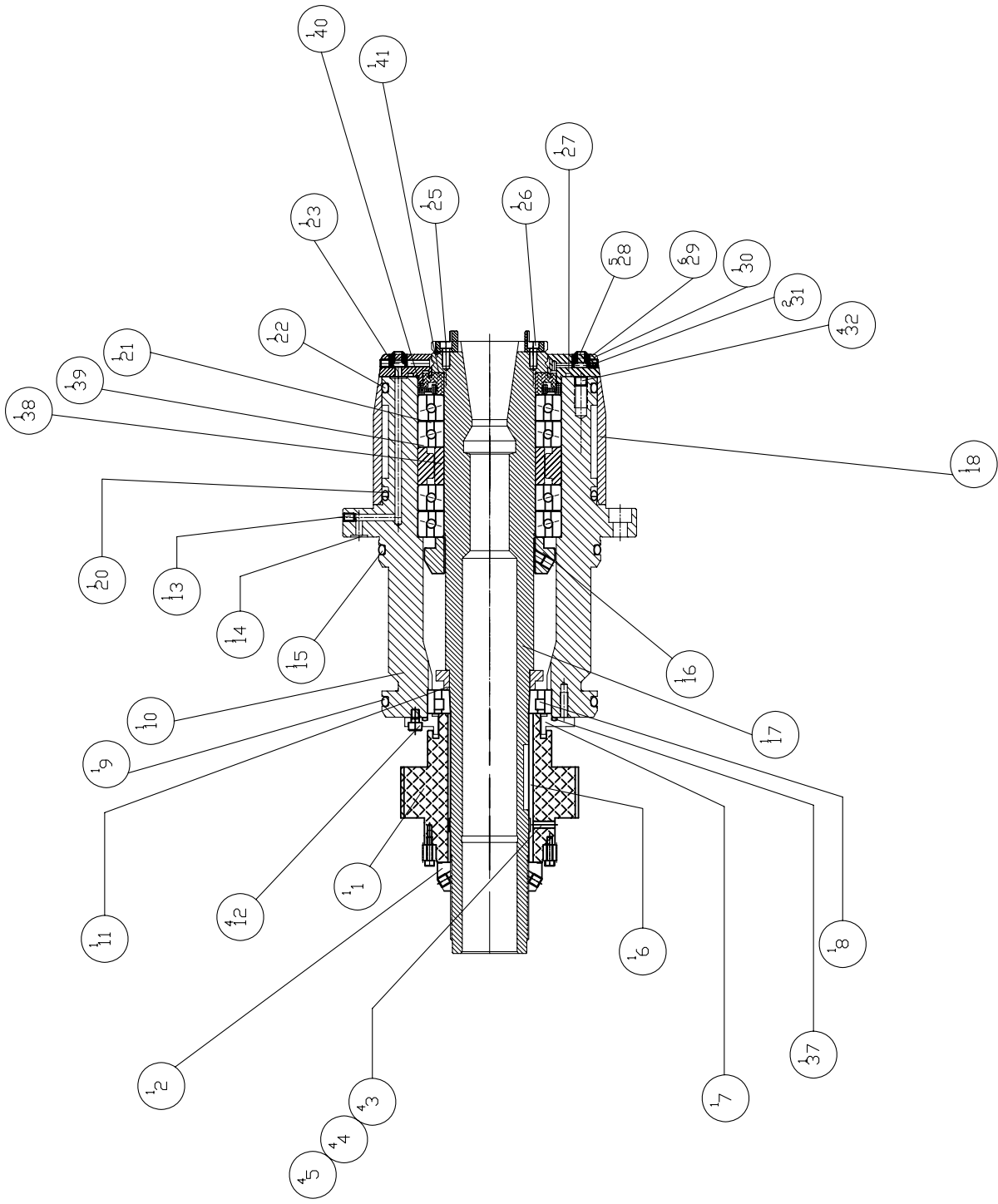
- (Chapter 12)
工具袋
Tool kit
No Drawing
 - USA
NV 000005002A
 - NOT USA & NOT CE
NV 000005001A
 - NOT USA BUT CE
NV 000005003A

Chapter 1

主軸箱

Headstock

REV	DESCRIPTION	DATE	ECN
A	構造 册録19, 新仕様4.0, 改訂	2007/7/9	4-4



MODEL	VMC600/800/1000
PART NAME	CARTRIDGE<8K-RPM> 主軸套筒<8K-RPM>
PART NUMBER	NVC000015729A
DATE	2007/7/9
DESIGNED	PHIL
SCALE	1:5
PAGE	1 OF 1
REV.	A

PRODUCT BOM MASTER AND SUB-ITEMS LIST

Master Item Part NO.: NVC000015729A

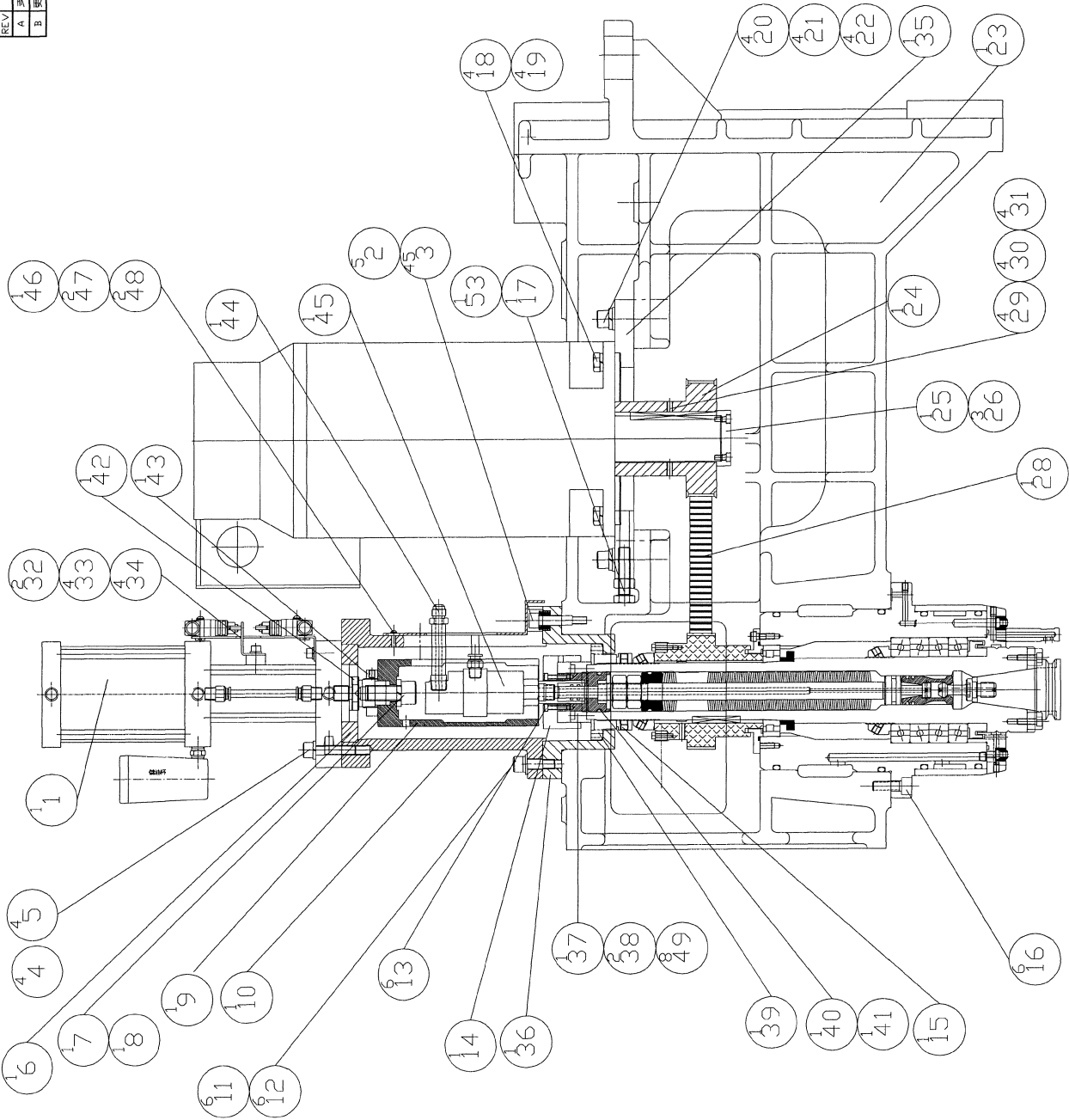
Description: CARTRIDGE(8K-RPM)
主軸套筒(8K-RPM)

Item	Part NO.	Description	中文名稱	Specification	Qty	Unit
1.01	NVA000317746A	SPINDLE PULLEY	主軸齒帶輪(8K/FANUC,SIEMENS,HEIDENH	D120.86xd60xL114	1.00	EA
2.00	NV 000049204A	LOCKNUT	鎖緊螺帽	[SHIANG KAI]M60X2(GRINDING)	1.00	EA
3.00	MS 0553614	SOC SET, CUP POINT	杯型端固定螺絲	M6XP1.0XL8	4.00	EA
4.00	MS 0553616	SOC SET, CUP SCREW	杯型端固定螺絲	M6XP1.0XL12	4.00	EA
5.00	MS 0553617	SOC SET, CUP SCREW	杯型端固定螺絲	M6XP1.0XL16	4.00	EA
6.01	NV 00061150118	SUNK KEY	(雙圓頭鍵)平行鍵	L70XW8XH7(JIS-)	1.00	EA
7.00	NV 001011500A	COVER	軸蓋	D130Xd79xL15.5	1.00	EA
8.00	NV 00002660201	BEARING, SPINDLE	主軸滾筒軸承	NSK N1012BTKRCC1P5	1.00	EA
9.00	NV 00094310202	O-RING	O型油環	[JIS] G155	1.00	EA
11.00	NV 000179901A	SPACER, SPINDLE	後間隔圈	D82Xd61.5xL14.8	1.00	EA
12.00	MS 0103617	SOCKET HEAD CAP SCREW	六角穴圓頭螺絲	M6xP1.0XL16	4.00	EA
13.00	MS 0553614	SOC SET, CUP POINT	杯型端固定螺絲	M6XP1.0XL8	1.00	EA
14.00	NV 00094310102	O-RING	O型油環	[JIS] P10	1.00	EA
15.00	NV 00094310203	O-RING	O型油環	[JIS] G160	1.00	EA
16.00	NV 000049216A	LOCKNUT	鎖緊螺帽	[SHIANG KAI]M70X2	1.00	EA
17.00	NVA000028306A	SPINDLE	主軸	D88.87Xd30XL469	1.00	EA
18.00	NVA000048115A	BUSHING	襯套	D178Xd165XL95	1.00	EA
20.00	NV 00094310202	O-RING	O型油環	[JIS] G155	1.00	EA
21.00	NV 00002660119	BEARING, SPINDLE	主軸斜角滾珠軸承	NSK 70BNRS10TYDBBCP0P4(4PCS/ST	1.00	ST
22.00	NV 00094310202	O-RING	O型油環	[JIS] G155	1.00	EA

PRODUCT BOM MASTER AND SUB-ITEMS LIST

Item	Part NO.	Description	中文名稱	Specification	Qty	Unit
23.00	NV 00094310102	O-RING	O型油環	[JIS] P10	1.00	EA
25.00	NV 000753300A	KEY, SPINDLE	鍵	L18.5XW16XH15.86	1.00	EA
26.00	NV 000753300A	KEY, SPINDLE	鍵	L18.5XW16XH15.86	1.00	EA
27.00	NV 00094310201	O-RING	O型油環	[JIS] G120	1.00	EA
28.00	NV 00070110101	NOZZLE, COOLANT	冷卻水噴嘴	NOZ. 14	5.00	EA
29.00	MS 0104019	SOCKET HEAD CAP SCREW	六角穴圓頭螺絲	M10xP1.5xL25	6.00	EA
30.01	NVB001011552A	COVER	前蓋	D169.4xd89.1xL22.2	1.00	EA
31.00	MS 0553614	SOC SET, CUP POINT	杯型端固定螺絲	M6XP1.0XL8	2.00	EA
32.00	NV 00077031701	PLUG, SOCKET HEX.	塞頭	PT1/8	4.00	EA
37.00	NV 00094310205	O-RING	O型油環	[JIS] G95	1.00	EA
38.01	NVB000179988A	INTERNAL SPACER, SPINDLE	內間隔圈	D84xd70xL27.9	1.00	EA
39.01	NVB000179987A	EXTERNAL SPACER, SPINDLE	外間隔圈	D110xd85xL28	1.00	EA
40.00	NV 000179995A	EXTERNAL SPACER, SPINDLE	外間隔圈	D110xd80.3xL10	1.00	EA
41.01	NV 000179994A	INTERNAL SPACER, SPINDLE	內間隔圈	D102.2Xd70XL18	1.00	EA

REV	DESCRIPTION	DATE	ECN
A	主軸箱傳動 零件圖	2003/08/20	INV0562
B	更改件 37	2003/07/28	202



MODEL: VMC600/800/1000	PART NUMBER
SPINDLE TRANSMISSIONCTS, 8000RPM)	NV 000000233A
主軸箱傳動 中心給水, 8000RPM)	PAGE 1 OF 1
DATE 2003/8/20	REV. B
	SCALE 1:1

PRODUCT BOM MASTER AND SUB-ITEMS LIST

Master Item Part NO.: NV 000000233A
Description: SPINDLE TRANSMISSION(CTS,8000R
主軸傳動(中心給水,8000RPM)

Item	Part NO.	Description	中文名稱	Specification	Qty	Unit
1.00	NV 000291700A	BOOSTER CYLINDER	增壓缸	3TONSX13mm	1.00	ST
2.00	NV 000668403A	BOLT, SPINDLE	螺栓[凸肩螺絲](中心給水)	M10X35	5.00	EA
3.00	NV 000733501	DISK SPRING	碟型彈簧	D20Xd10.2xL 1.35(H0.8)	45.00	EA
4.00	MS 0104023	SOCKET HEAD CAP SCREW	六角穴圓頭螺絲	M10xP1.5xL45	4.00	EA
5.00	MW 0184010	SPRING WASHER	彈簧墊圈	M10	4.00	EA
6.00	NV 000048102A	BUSHING	襯套	D102Xd60xL17	1.00	ST
7.00	NV 000668416A	BOLT(CTS)	螺絲	M16xP2xL30	1.00	EA
8.00	MW 0184610	SPRING WASHER	彈簧墊圈	M16	1.00	EA
9.00	NV 001042102A	CONTACT BLOCK	接觸塊	D76Xd18XL170	1.00	EA
10.00	NV 000981306A	RING, THR SPD COOLANT	拉環(中心給水)	D180Xd96XL216	1.00	EA
11.00	MS 0104020	SOCKET HEAD CAP SCREW	六角穴圓頭螺絲	M10xP1.5xL30	6.00	EA
12.00	MW 0184010	SPRING WASHER	彈簧墊圈	M10	6.00	EA
13.00	MS 0103418	SOCKET HEAD CAP SCREW	六角穴圓頭螺絲	M4xP0.7xL20	6.00	EA
14.00	NV 001066110A	SEAT, THR SPD COOLANT	支撐座	D76Xd25XL39	1.00	EA
15.00	NV 000049205A	LOCKNUT	鎖緊螺帽	[SHIANG KAIJM60X2	1.00	EA
16.00	MS 0104020	SOCKET HEAD CAP SCREW	六角穴圓頭螺絲	M10xP1.5xL30	6.00	EA
17.00	MS 0154224	HEX HD. FULL THD	六角頭螺絲	M12XP1.75XL50(FULL THD)	1.00	EA
18.00	MS 0294420	HEX HEAD CAP SCREW	六角頭螺絲	M14XP2.0XL30	4.00	EA
19.00	MW 0184410	SPRINGE WASHER	彈簧墊圈	M14	4.00	EA
20.00	MS 0104223	SOCKET HEAD CAP SCREW	六角穴圓頭螺絲	M12XP1.75XL45	4.00	EA

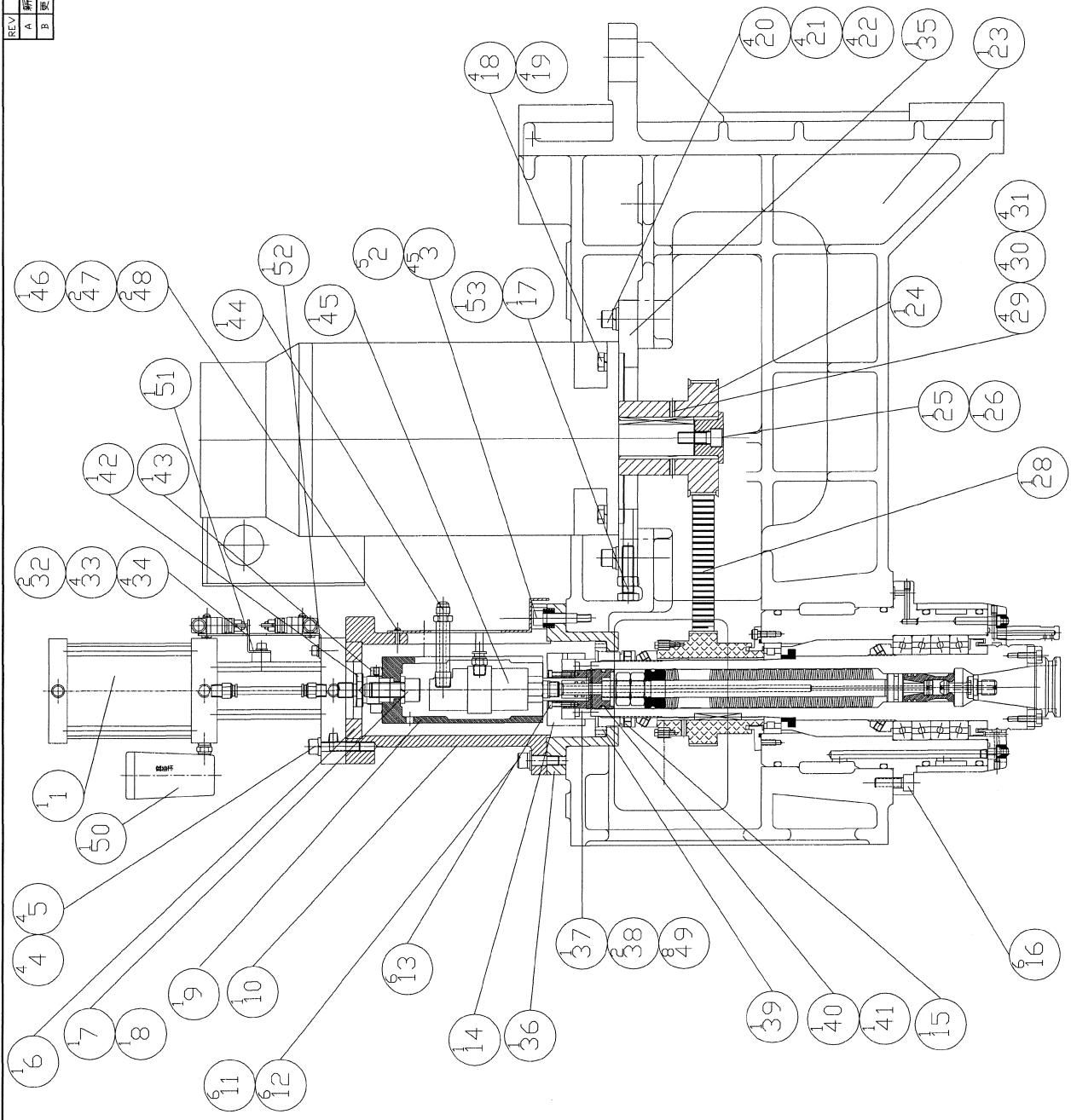
PRODUCT BOM MASTER AND SUB-ITEMS LIST

Item	Part NO.	Description	中文名稱	Specification	Qty	Unit
21.00	MW 0184210	SPRING WASHER	彈簧墊圈	M12	4.00	EA
22.00	NV 000199096A	PLATE	墊塊(M12 washer)	D28xd13xt6 (M12 washer)	4.00	EA
23.03	NVB000026400A	HEADSTOCK(D32)	主軸箱(D32)	L867XW521.5XH512	1.00	EA
24.00	NVA000317745A	MOTOR PULLEY	馬達齒帶輪(8/FANUC)	D120.86xd48xL106	1.00	EA
25.00	NVA000981316A	RETAINER, MOTOR PULLEY	馬達齒帶輪固定環	D54XL15	1.00	EA
26.00	MS 0103516	SOCKET HEAD CAP SCREW	六角穴圓頭螺絲	M5xP0.8xL12	3.00	EA
28.01	NV 00033460132	TIMING BELT	齒形皮帶	[CONTI CXP111]SUP-912-S8M-23mm	1.00	ST
29.00	MS 0553614	SOC SET, CUP POINT	杯型端固定螺絲	M6XP1.0XL8	4.00	EA
30.00	MS 0553616	SOC SET, CUP SCREW	杯型端固定螺絲	M6XP1.0XL12	4.00	EA
31.00	MS 0553617	SOC SET, CUP SCREW	杯型端固定螺絲	M6XP1.0XL16	4.00	EA
32.00	NVA000199034A	PLATE	固定板	L45xW10xH5	2.00	EA
33.00	MS 0103419	SOCKET HEAD CAP SCREW	六角穴圓頭螺絲	M4xP0.7xL25	4.00	EA
34.00	MW 0183410	SPRING WASHER	彈簧墊圈	M4	4.00	EA
35.00	NV 001066104A	SEAT, MOTOR	馬達座	L302XW210XH20	1.00	EA
36.00	NV 000981304A	RING, THR SPD COOLANT	拉環(中心給水)	D180Xd80XL75	1.00	EA
37.01	NV 001042101A	ADAPTER, ROTATING UNIONS	旋轉接頭座	D63Xd12XL55	1.00	EA
38.00	NV 00094310120	O-RING, 1000psi	O型油環(1000psi使用)	[JIS] P12 (Hs90)	2.00	EA
39.00	NV 000981305A	RING, THR SPD COOLANT	拉環(中心給水)	D99Xd57.84xL26	1.00	EA
40.00	NVA001042100A	ADAPTER, THR SPD COOLANT	連結座	D42Xd12xD55	1.00	EA
41.00	NV 00094310117	O-RING	O型油環	[JIS] P36 (MADE IN JAPAN)	1.00	EA
42.00	NV 001042103A	ADAPTER, THR SPD COOLANT	接頭	D34.5Xd14XL56	1.00	EA
43.00	NV 0000049206A	LOCKNUT	鎖緊螺帽	[SHIANG KAIJIM]30X1.5	1.00	EA
44.00	NV 001010900A	PIPE, THR SPD COOLANT	水管接頭	D17Xd6.5XL90	1.00	EA

PRODUCT BOM MASTER AND SUB-ITEMS LIST

Item	Part NO.	Description	中文名稱	Specification	Qty	Unit
45.00	NV 00090810102	ROTARY COOLANT UNION(12000RPM)	切削水旋轉接頭(12000RPM)	DEUBLIN 1109-020-188	1.00	ST
46.00	NV 000199065A	BRACKET, COOLANT PIPE	接頭固定板	L170XW36XH55	1.00	EA
47.00	MS 0103515	SOCKET HEAD CAP SCREW	六角穴圓頭螺絲	M5xP0.8xL10	2.00	EA
48.00	MW 0183510	SPRING WASHER	彈簧墊圈	M5	2.00	EA
49.00	MS 0103418	SOCKET HEAD CAP SCREW	六角穴圓頭螺絲	M4xP0.7xL20	8.00	EA
53.00	MN 0114210	HEXAGON NUT	六角螺帽	M12xP1.75	1.00	EA

REV	DESCRIPTION	DATE	ECN
A	新機種特約	2003/8/20	INV0432
B	更改#37	2006/7/06	202



MODEL: VMC600/800/1000	
PART NAME	PART NUMBER
SPINDLE TRANSMISSIONCTS,800RPM,SIEMENS)	NV 000000233AC
主軸箱轉動 中心給水,8000RPM,SIEMENS)	PAGE 1 OF 1
DATE 2003/8/20	REV. B
SCALE 1:7	

PRODUCT BOM MASTER AND SUB-ITEMS LIST

Master Item Part NO.: NV 000000233AC

Description: SPINDLE TRANSMISSION(w/CTS, 80

主軸傳動(中心給水, 8000RPM, SIEMENS)

Item Part NO.	Description	中文名稱	Specification	Qty	Unit
1.00 NV 000291700A	BOOSTER CYLINDER	增壓缸	3TONSX13mm	1.00	ST
2.00 NV 000668403A	BOLT, SPINDLE	螺栓[凸肩螺絲](中心給水)	M10X35	5.00	EA
3.00 NV 000733501	DISK SPRING	碟型彈簧	D20Xd10.2xL1.35(H0.8)	45.00	EA
4.00 MS 0104023	SOCKET HEAD CAP SCREW	六角穴圓頭螺絲	M10xP1.5xL45	4.00	EA
5.00 MW 0184010	SPRING WASHER	彈簧墊圈	M10	4.00	EA
6.00 NV 000048102A	BUSHING	襯套	D102Xd60xL17	1.00	ST
7.00 NV 000668416A	BOLT(CTS)	螺絲	M16xP2xL30	1.00	EA
8.00 MW 0184610	SPRING WASHER	彈簧墊圈	M16	1.00	EA
9.00 NV 001042102A	CONTACT BLOCK	接觸塊	D76Xd18XL170	1.00	EA
10.00 NV 000981306A	RING, THR SPD COOLANT	拉環(中心給水)	D180Xd96XL216	1.00	EA
11.00 MS 0104020	SOCKET HEAD CAP SCREW	六角穴圓頭螺絲	M10xP1.5xL30	6.00	EA
12.00 MW 0184010	SPRING WASHER	彈簧墊圈	M10	6.00	EA
13.00 MS 0103418	SOCKET HEAD CAP SCREW	六角穴圓頭螺絲	M4xP0.7xL20	6.00	EA
14.00 NV 001066110A	SEAT, THR SPD COOLANT	支撐座	D76Xd25XL39	1.00	EA
15.00 NV 000049205A	LOCKNUT	鎖緊螺帽	[SHIANG KAIJM60X2	1.00	EA
16.00 MS 0104020	SOCKET HEAD CAP SCREW	六角穴圓頭螺絲	M10xP1.5xL30	6.00	EA
17.00 MS 0154224	HEX HD. FULL THD	六角頭螺絲	M12XP1.75XL50(FULL THD)	1.00	EA
18.00 MS 0154221	HEX HD., FULL THD	六角頭螺絲	M12XP1.75XL35	4.00	EA
19.00 MW 0184210	SPRING WASHER	彈簧墊圈	M12	4.00	EA
20.00 MS 0104223	SOCKET HEAD CAP SCREW	六角穴圓頭螺絲	M12XP1.75XL45	4.00	EA

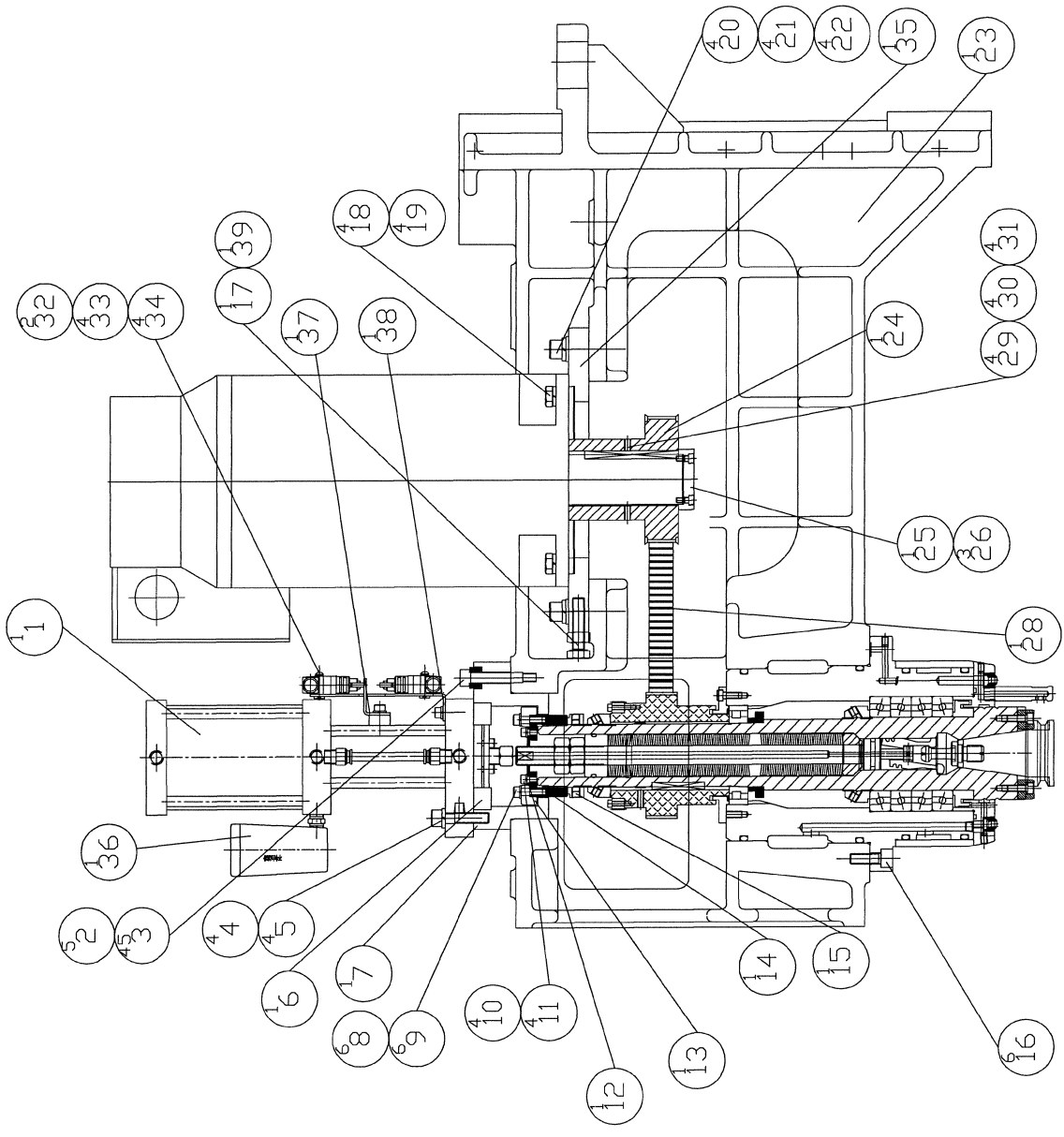
PRODUCT BOM MASTER AND SUB-ITEMS LIST

Item	Part NO.	Description	中文名稱	Specification	Qty	Unit
21.00	MW 0184210	SPRING WASHER	彈簧墊圈	M12	4.00	EA
22.00	NV 000199096A	PLATE	墊塊(M12 washer)	D28xd13xt6 (M12 washer)	4.00	EA
23.03	NVB000026400A	HEADSTOCK(D32)	主軸箱(D32)	L867XW521.5XH512	1.00	EA
24.00	NVA000317747A	MOTOR PULLEY	馬達齒帶輪(8K/SIEMENS, HEIDENHAIN)	D120.86xd38xL104	1.00	EA
25.00	NVA000981317A	RETAINER, MOTOR PULLEY	馬達齒帶輪固定環(SIEMENS)	D54XL30	1.00	EA
26.00	MS 0104221	SOCKET HEAD CAP SCREW	六角穴圓頭螺絲	M12xP1.75xL35	1.00	EA
28.01	NV 00033460132	TIMING BELT	齒形皮帶	[CONTI CXPIII]SUP-912-S8M-23mm	1.00	ST
29.00	MS 0553614	SOC SET, CUP POINT	杯型端固定螺絲	M6XP1.0XL8	4.00	EA
30.00	MS 0553616	SOC SET, CUP SCREW	杯型端固定螺絲	M6XP1.0XL12	4.00	EA
31.00	MS 0553617	SOC SET, CUP SCREW	杯型端固定螺絲	M6XP1.0XL16	4.00	EA
32.00	NVA000199034A	PLATE	固定板	L45xW10xH5	2.00	EA
33.00	MS 0103419	SOCKET HEAD CAP SCREW	六角穴圓頭螺絲	M4xP0.7xL25	4.00	EA
34.00	MW 0183410	SPRING WASHER	彈簧墊圈	M4	4.00	EA
35.01	NV 001066136A	SEAT, MOTOR(SIEMENSE)	馬達座(西門子)	L302XW210XH20	1.00	EA
36.00	NV 000981304A	RING, THR SPD COOLANT	拉環(中心給水)	D180Xd80XL75	1.00	EA
37.01	NV 001042101A	ADAPTER, ROTATING UNIONS	旋轉接頭座	D63Xd12XL55	1.00	EA
38.00	NV 00094310120	O-RING, 1000psi	O型油環(1000psi使用)	[JIS] P12 (Hs90)	2.00	EA
39.00	NV 000981305A	RING, THR SPD COOLANT	拉環(中心給水)	D99Xd57.84xL26	1.00	EA
40.00	NVA001042100A	ADAPTER, THR SPD COOLANT	連結座	D42Xd12xD55	1.00	EA
41.00	NV 00094310117	O-RING	O型油環	[JIS] P36 (MADE IN JAPAN)	1.00	EA
42.00	NV 001042103A	ADAPTER, THR SPD COOLANT	接頭	D34.5Xd14XL56	1.00	EA
43.00	NV 000049206A	LOCKNUT	鎖緊螺帽	[SHIANG KAJIM]30X1.5	1.00	EA
44.00	NV 001010900A	PIPE, THR SPD COOLANT	水管接頭	D17Xd6.5XL90	1.00	EA

PRODUCT BOM MASTER AND SUB-ITEMS LIST

Item	Part NO.	Description	中文名稱	Specification	Qty	Unit
45.00	NV 00090810102	ROTARY COOLANT UNION(12000RPM)	切削水旋轉接頭(12000RPM)	DEUBLIN 1109-020-188	1.00	ST
46.00	NV 000199065A	BRACKET, COOLANT PIPE	接頭固定板	L170XW36XH55	1.00	EA
47.00	MS 0103515	SOCKET HEAD CAP SCREW	六角穴圓頭螺絲	M5xP0.8xL10	2.00	EA
48.00	MW 0183510	SPRING WASHER	彈簧墊圈	M5	2.00	EA
49.00	MS 0103418	SOCKET HEAD CAP SCREW	六角穴圓頭螺絲	M4xP0.7xL20	8.00	EA
53.00	MN 0114210	HEXAGON NUT	六角螺帽	M12xP1.75	1.00	EA

REV	DESCRIPTION	DATE	ECN
A	SPINDLE ASSEMBLY	20/12/20	INV0563



MODEL: VMC600/800/1000	PART NUMBER
SPINDLE TRANSMISSION(w/o CTS, 8000RPM)	NV 000000232A
主軸箱傳動(無中心給水, 8000RPM)	PAGE 1 OF 1
DATE: 2003/8/20	REV: A
SCALE: 1:1	

PRODUCT BOM MASTER AND SUB-ITEMS LIST

Master Item Part NO.: NV 000000232A

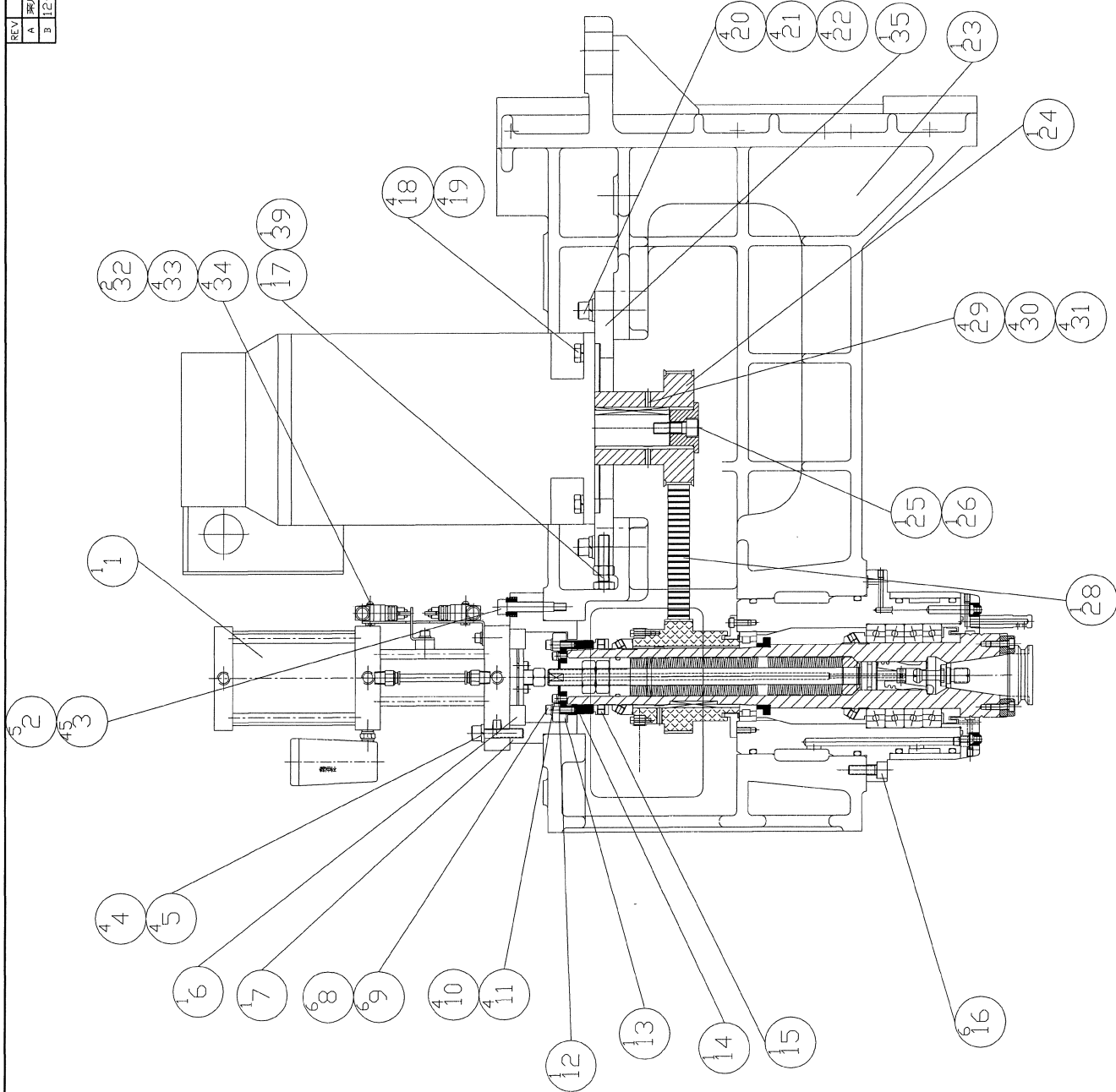
Description: SPINDLE TRANSMISSION(w/o CTS,
主軸傳動(無中心給水,8000RPM))

Item Part NO.	Description	中文名稱	Specification	Qty	Unit
1.00	NV 000291700A BOOSTER CYLINDER	增壓缸	3TONSX13mm	1.00	ST
2.00	NV 000668400A BOLT, SPINDLE	螺栓[凸肩螺絲]	M10X50	5.00	EA
3.00	NV 000733501 DISK SPRING	碟型彈簧	D20Xd10.2xL1.35(H0.8)	45.00	EA
4.00	MS 0104023 SOCKET HEAD CAP SCREW	六角穴圓頭螺絲	M10xP1.5xL45	4.00	EA
5.00	MW 0184010 SPRING WASHER	彈簧墊圈	M10	4.00	EA
6.00	NV 000048102A BUSHING	襯套	D102Xd60xL17	1.00	ST
7.00	NV 000981300A RING	拉環	D180Xd80xL73	1.00	EA
8.00	MS 0103618 SOCKET HEAD CAP SCREW	六角穴圓頭螺絲	M6xP1.0xL20	6.00	EA
9.00	MW 0183610 SPRING WASHER	彈簧墊圈	M6	6.00	EA
10.00	MS 0103515 SOCKET HEAD CAP SCREW	六角穴圓頭螺絲	M5xP0.8xL10	4.00	EA
11.00	MW 0183510 SPRING WASHER	彈簧墊圈	M5	4.00	EA
12.00	NVA000199000A PLATE, SPINDLE	固定板	D55Xd14XL2.3	1.00	EA
13.00	NV 000981302A RING	拉環	D94Xd56XL15	1.00	EA
14.00	NV 000981301A RING	拉環	D78Xd30XL36	1.00	EA
15.00	NV 000049205A LOCKNUT	鎖緊螺帽	[SHIANG KAIJM60X2	1.00	EA
16.00	MS 0104020 SOCKET HEAD CAP SCREW	六角穴圓頭螺絲	M10xP1.5xL30	6.00	EA
17.00	MS 0154224 HEX HD. FULL THD	六角頭螺絲	M12XP1.75XL50(FULL THD)	1.00	EA
18.00	MS 0294420 HEX HEAD CAP SCREW	六角頭螺絲	M14XP2.0XL30	4.00	EA
19.00	MW 0184410 SPRING WASHER	彈簧墊圈	M14	4.00	EA
20.00	MS 0104223 SOCKET HEAD CAP SCREW	六角穴圓頭螺絲	M12XP1.75XL45	4.00	EA

PRODUCT BOM MASTER AND SUB-ITEMS LIST

Item	Part NO.	Description	中文名稱	Specification	Qty	Unit
21.00	MW 0184210	SPRING WASHER	彈簧墊圈	M12	4.00	EA
22.00	NV 000199096A	PLATE	墊塊(M12 washer)	D28xd13xt6 (M12 washer)	4.00	EA
23.03	NVB000026400A	HEADSTOCK(D32)	主軸箱(D32)	L867XW521.5XH512	1.00	EA
24.00	NVA000317745A	MOTOR PULLEY	馬達齒帶輪(8/FANUC)	D120.86xd48xL106	1.00	EA
25.00	NVA000981316A	RETAINER, MOTOR PULLEY	馬達齒帶輪固定環	D54XL15	1.00	EA
26.00	MS 0103516	SOCKET HEAD CAP SCREW	六角穴圓頭螺絲	M5xP0.8xL12	3.00	EA
28.01	NV 00033460132	TIMING BELT	齒形皮帶	[CONTI CXPIII]SUP-912-S8M-23mm	1.00	ST
29.00	MS 0553614	SOC SET, CUP POINT	杯型端固定螺絲	M6XP1.0XL8	4.00	EA
30.00	MS 0553616	SOC SET, CUP SCREW	杯型端固定螺絲	M6XP1.0XL12	4.00	EA
31.00	MS 0553617	SOC SET, CUP SCREW	杯型端固定螺絲	M6XP1.0XL16	4.00	EA
32.00	NVA000199034A	PLATE	固定板	L45xW10xH5	2.00	EA
33.00	MS 0103419	SOCKET HEAD CAP SCREW	六角穴圓頭螺絲	M4xP0.7xL25	4.00	EA
34.00	MW 0183410	SPRING WASHER	彈簧墊圈	M4	4.00	EA
35.00	NV 001066104A	SEAT, MOTOR	馬達座	L302XW210XH20	1.00	EA
39.00	MN 0114210	HEXAGON NUT	六角螺帽	M12xP1.75	1.00	EA

REV	DESCRIPTION	DATE	ECN
A	零件名称: 主轴壳体	2003/8/20	INV0432
B	12 规格: NV/A000199000A	2002/2/25	INV0475



MODEL: VMC600/800/1000		SCALE: 1:1	
PART NAME: SPINDLE TRANSMISSION(w/o CTS,800RPM,SIEMENS)		PART NUMBER: NV 00000232AC	
主軸傳動, 無中心感水, 800RPM, SIEMENS)		PAGE 1 OF 1	
DATE: 2003/8/20		REV: B	

PRODUCT BOM MASTER AND SUB-ITEMS LIST

Master Item Part NO.: NV 000000232AC

Description: SPINDLE TRANSMISSION(w/o CTS,

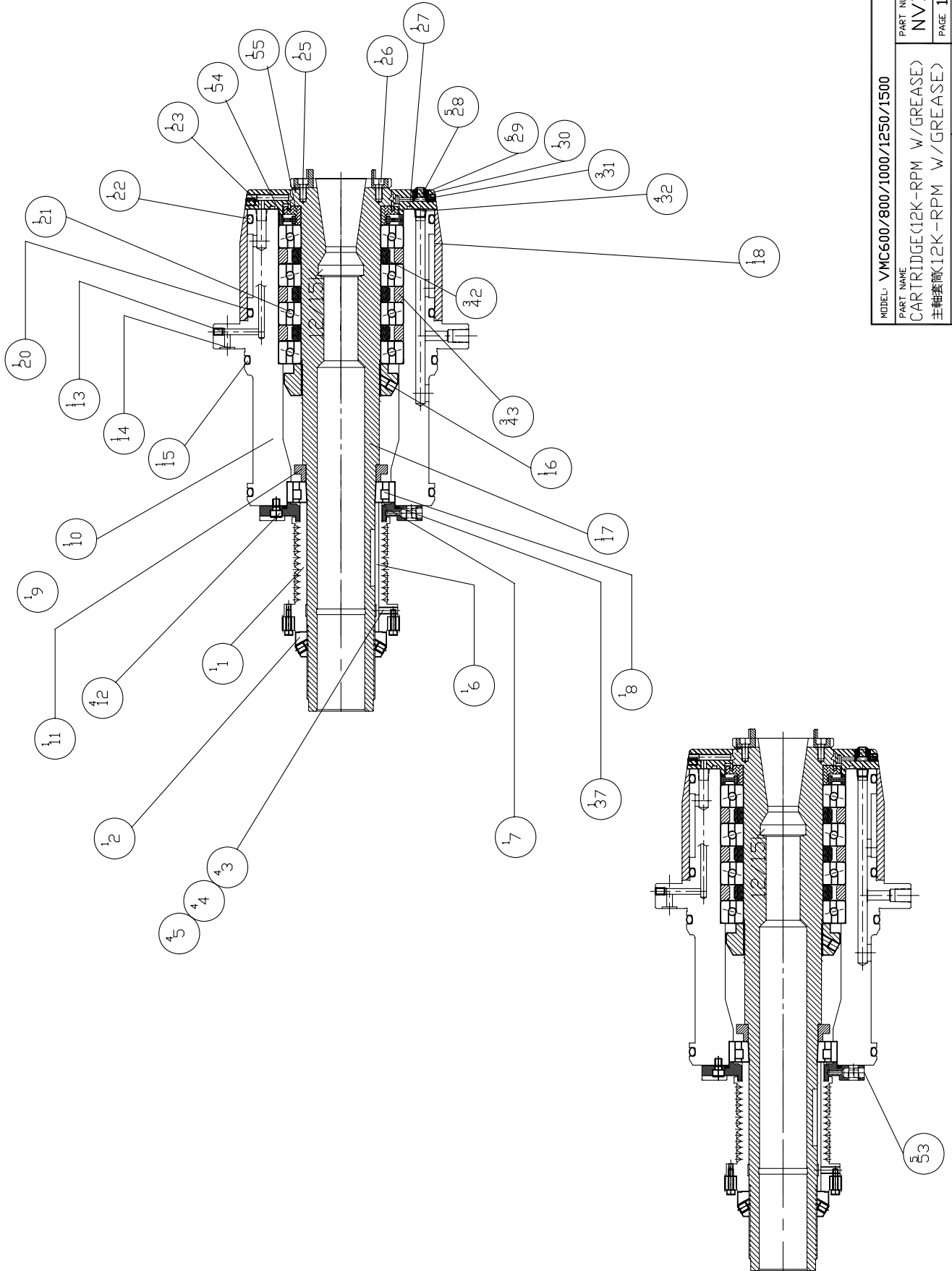
主軸傳動(無中心給水, 8000RPM, SIEMENS)

Item Part NO.	Description	中文名稱	Specification	Qty	Unit
1.00 NV 000291700A	BOOSTER CYLINDER	增壓缸	3TONSX13mm	1.00	ST
2.00 NV 000668400A	BOLT, SPINDLE	螺栓[凸肩螺絲]	M10X50	5.00	EA
3.00 NV 000733501	DISK SPRING	碟型彈簧	D20Xd10.2xL1.35(H0.8)	45.00	EA
4.00 MS 0104023	SOCKET HEAD CAP SCREW	六角穴圓頭螺絲	M10xP1.5xL45	4.00	EA
5.00 MW 0184010	SPRING WASHER	彈簧墊圈	M10	4.00	EA
6.00 NV 000048102A	BUSHING	襯套	D102Xd60xL17	1.00	ST
7.00 NV 000981300A	RING	拉環	D180Xd80xL73	1.00	EA
8.00 MS 0103618	SOCKET HEAD CAP SCREW	六角穴圓頭螺絲	M6xP1.0xL20	6.00	EA
9.00 MW 0183610	SPRING WASHER	彈簧墊圈	M6	6.00	EA
10.00 MS 0103515	SOCKET HEAD CAP SCREW	六角穴圓頭螺絲	M5xP0.8xL10	4.00	EA
11.00 MW 0183510	SPRING WASHER	彈簧墊圈	M5	4.00	EA
12.00 NVA000199000A	PLATE, SPINDLE	固定板	D55Xd14XL2.3	1.00	EA
13.00 NV 000981302A	RING	拉環	D94Xd56XL15	1.00	EA
14.00 NV 000981301A	RING	拉環	D78Xd30XL36	1.00	EA
15.00 NV 000049205A	LOCKNUT	鎖緊螺帽	[SHIANG KAIJM60X2	1.00	EA
16.00 MS 0104020	SOCKET HEAD CAP SCREW	六角穴圓頭螺絲	M10xP1.5xL30	6.00	EA
18.00 MS 0154221	HEX HD., FULL THD	六角頭螺絲	M12XP1.75XL35	1.00	EA
19.00 MW 0184210	SPRING WASHER	彈簧墊圈	M12	4.00	EA
20.00 MS 0104223	SOCKET HEAD CAP SCREW	六角穴圓頭螺絲	M12XP1.75XL45	4.00	EA
21.00 MW 0184210	SPRING WASHER	彈簧墊圈	M12	4.00	EA

PRODUCT BOM MASTER AND SUB-ITEMS LIST

Item	Part NO.	Description	中文名稱	Specification	Qty	Unit
22.00	NV 000199096A	PLATE	墊塊(M12 washer)	D28xd13xt6 (M12 washer)	4.00	EA
23.03	NVB000026400A	HEADSTOCK(D32)	主軸箱(D32)	L867XW521.5XH512	1.00	EA
24.00	NVA000317747A	MOTOR PULLEY	馬達齒帶輪(8K/SIEMENS,HEIDENHAIN)	D120.86xø38xL104	1.00	EA
25.00	NVA000981317A	RETAINER, MOTOR PULLEY	馬達齒帶輪固定環(SIEMENS)	D54XL30	1.00	EA
26.00	MS 0104221	SOCKET HEAD CAP SCREW	六角穴圓頭螺絲	M12xP1.75xL35	1.00	EA
28.01	NV 00033460132	TIMING BELT	齒形皮帶	[CONTI CXPIII]SUP-912-S8M-23mm	1.00	ST
29.00	MS 0553614	SOC SET, CUP POINT	杯型端固定螺絲	M6XP1.0XL8	4.00	EA
30.00	MS 0553616	SOC SET, CUP SCREW	杯型端固定螺絲	M6XP1.0XL12	4.00	EA
31.00	MS 0553617	SOC SET, CUP SCREW	杯型端固定螺絲	M6XP1.0XL16	4.00	EA
32.00	NVA000199034A	PLATE	固定板	L45xW10xH5	2.00	EA
33.00	MS 0103419	SOCKET HEAD CAP SCREW	六角穴圓頭螺絲	M4xP0.7xL25	4.00	EA
34.00	MW 0183410	SPRING WASHER	彈簧墊圈	M4	4.00	EA
35.01	NV 001066136A	SEAT, MOTOR(SIEMENSE)	馬達座(西門子)	L302XW210XH20	1.00	EA
39.00	MN 0114210	HEXGON NUT	六角螺帽	M12xP1.75	1.00	EA

REV	DESCRIPTION	DATE	ECN
A	標政 册略19, 新機台4.5寸	2007/7/9	6-4-6



MODEL: VMC600/800/1000/1250/1500

PART NAME
CARTRIDGE(12K-RPM W/GREASE)

PART NUMBER
NVB000015706A

主軸套(12K-RPM W/GREASE)

DATE 2007/7/9

SCALE 1:5

REV. A

PAGE 1 OF 1

REV. A

DATE 2007/7/9

SCALE 1:5

PRODUCT BOM MASTER AND SUB-ITEMS LIST

Master Item Part NO.: NVB000015706A

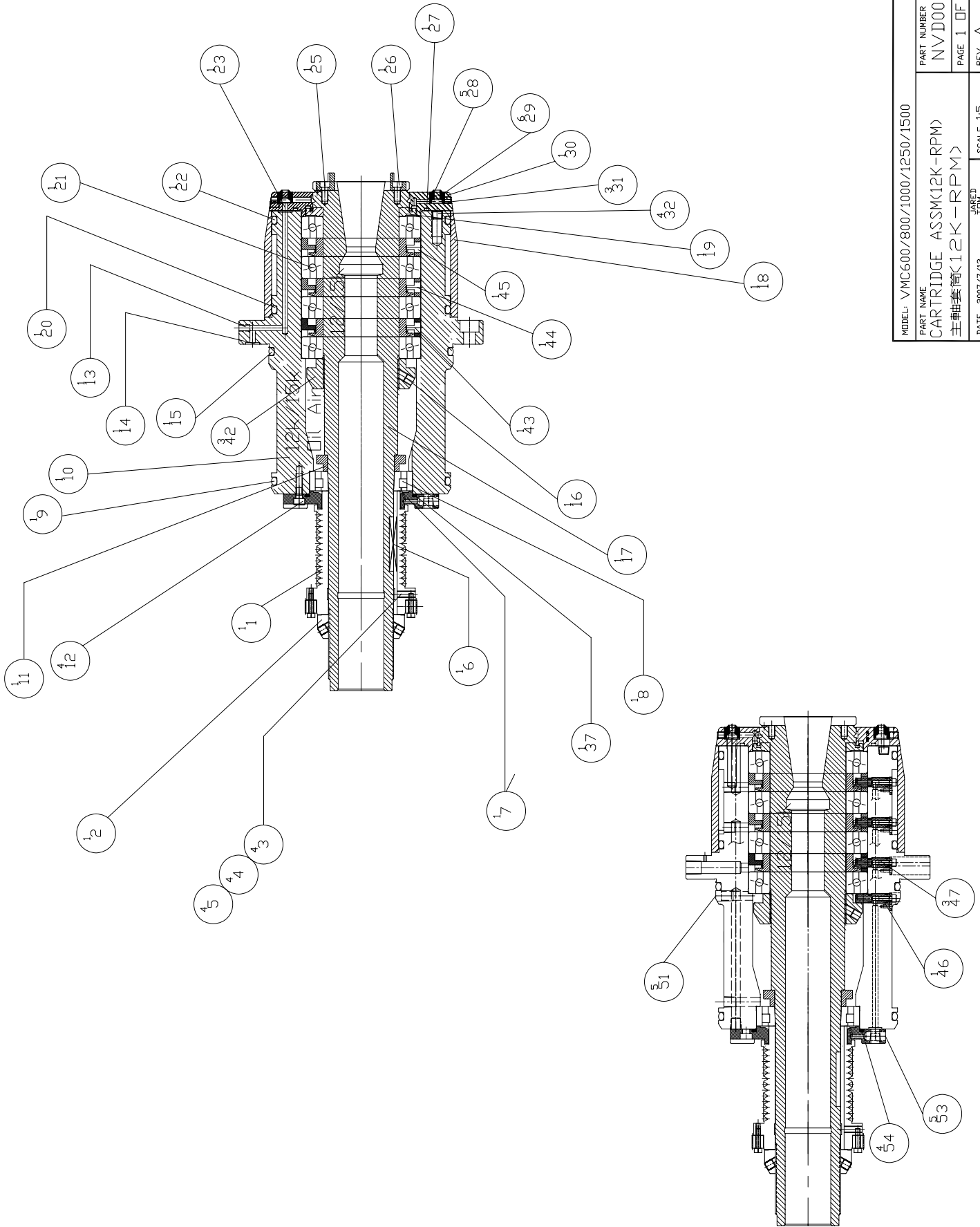
Description: CARTRIDGE(12K-RPM GREASE TYPE,
主軸套筒(12K-RPM GREASE TYPE, 8:12

Item	Part NO.	Description	中文名稱	Specification	Qty	Unit
1.01	NV 000317716A	SPINDLE PULLEY(10K/12K/15K-RPM	主軸皮帶輪(10K/12K/15K-RPM)	D100xd60xL114	1.00	EA
2.00	NV 000049204A	LOCKNUT	鎖緊螺帽	[SHIANG KAI]M60X2(GRINDING)	1.00	EA
3.00	MS 0553614	SOC SET, CUP POINT	杯型端固定螺絲	M6XP1.0XL8	4.00	EA
4.00	MS 0553616	SOC SET, CUP SCREW	杯型端固定螺絲	M6XP1.0XL12	4.00	EA
5.00	MS 0553617	SOC SET, CUP SCREW	杯型端固定螺絲	M6XP1.0XL16	4.00	EA
6.01	NV 00061150118	SUNK KEY	(雙圓頭鍵)平行鍵	L70XW8XH7(JIS-)	1.00	EA
7.00	NV 001011553A	COVER	軸蓋	D143xd73xL16	1.00	EA
8.00	NV 00002660224	REAR BEARING, 12K GREASE SPIND	主軸滾筒軸承(12K/Grease)	[NSK] N1012RXTPKRCC0P4Y (Rigin	1.00	EA
9.00	NV 00094310202	O-RING	O型油環	[JIS] G155	1.00	EA
10.01	NVA000405209A	HOUSING, SPINDLE	軸承套	D225xd88xL261	1.00	EA
11.00	NV 000179901A	SPACER, SPINDLE	後間隔圈	D82Xd61.5xL14.8	1.00	EA
12.00	MS 0103617	SOCKET HEAD CAP SCREW	六角穴圓頭螺絲	M6xP1.0xL16	4.00	EA
13.00	MS 0553614	SOC SET, CUP POINT	杯型端固定螺絲	M6XP1.0XL8	1.00	EA
14.00	NV 00094310102	O-RING	O型油環	[JIS] P10	1.00	EA
15.00	NV 00094310203	O-RING	O型油環	[JIS] G160	1.00	EA
16.00	NV 000049216A	LOCKNUT	鎖緊螺帽	[SHIANG KAI]M70X2	1.00	EA
17.00	NVA000028301A	SPINDLE	主軸	D88.87Xd30XL469	1.00	EA
18.00	NVA000048115A	BUSHING	襯套	D178Xd165XL95	1.00	EA
20.00	NV 00094310202	O-RING	O型油環	[JIS] G155	1.00	EA
21.00	NV 00002660118	FRONT BEARING, 12K GREASE SPI	主軸斜角滾珠軸承(12K GREASE)	[NSK] 70BNR10HT85DBBCA10P4	1.00	ST

PRODUCT BOM MASTER AND SUB-ITEMS LIST

Item	Part NO.	Description	中文名稱	Specification	Qty	Unit
22.00	NV 00094310202	O-RING	O型油環	[JIS] G155	1.00	EA
23.00	NV 00094310102	O-RING	O型油環	[JIS] P10	1.00	EA
25.00	NV 000753311J	KEY, SPINDLE	鍵	L17XW16XH15.86	1.00	EA
26.00	NV 000753312J	KEY, SPINDLE	鍵	L14.3XW16XH15.86	1.00	EA
27.00	NV 00094310201	O-RING	O型油環	[JIS] G120	1.00	EA
28.00	NV 00070110101	NOZZLE, COOLANT	冷卻水噴嘴	NOZ. 14	5.00	EA
29.00	MS 0104019	SOCKET HEAD CAP SCREW	六角穴圓頭螺絲	M10xP1.5xL25	6.00	EA
30.01	NVB001011552A	COVER	前蓋	D169.4xd89.1xL22.2	1.00	EA
31.00	MS 0553614	SOC SET, CUP POINT	杯型端固定螺絲	M6XP1.0XL8	3.00	EA
32.00	NV 00077031701	PLUG, SOCKET HEX.	塞頭	PT1/8	4.00	EA
37.00	NV 00094310205	O-RING	O型油環	[JIS] G95	1.00	EA
42.01	NVA000179939A	INTERNAL SPACER, SPINDLE	內間隔圈	D110xd94xL14.2	3.00	EA
43.01	NVA000179938A	EXTERNAL SPACER, SPINDLE	外間隔圈	D110xd94xL14.2	3.00	EA
53.00	NV 00077031801	ELBOW, BRASS 90DEG MALE&FEMALE	90度內外雙螺紋肘管	PT1/8"xM10	5.00	EA
54.00	NV 000179995A	EXTERNAL SPACER, SPINDLE	外間隔圈	D110xd80.3xL10	1.00	EA
55.01	NV 000179994A	INTERNAL SPACER, SPINDLE	內間隔圈	D102.2Xd70XL18	1.00	EA

REV	DESCRIPTION	DATE	ECN
A	VMC600/800/1000/1250/1500	2007/7/9	6-4



MODEL: VMC600/800/1000/1250/1500

PART NAME: CARTRIDGE ASSM(12K-RPM)

主軸套筒(12K-RPM)

PART NUMBER

NVD000015701AS

PAGE 1 OF 1

REV. A

DATE: 2007/7/13

SCALE: 1:5

DRAWN BY: PHH

PRODUCT BOM MASTER AND SUB-ITEMS LIST

Master Item Part NO.: NVD000015701AS

Description: CARTRIDGE(12K-RPM/OIL-AIR)
主軸套筒(12K-RPM/OIL-AIR)

Item	Part NO.	Description	中文名稱	Specification	Qty	Unit
1.00	NV 000317716A	SPINDLE PULLEY(10K/12K/15K-RPM	主軸皮帶輪(10K/12K/15K-RPM)	D100xd60xL114	1.00	EA
2.00	NV 000049204A	LOCKNUT	鎖緊螺帽	[SHIANG KAI]M60X2(GRINDING)	1.00	EA
3.00	MS 0553614	SOC SET, CUP POINT	杯型端固定螺絲	M6XP1.0XL8	4.00	EA
4.00	MS 0553616	SOC SET, CUP SCREW	杯型端固定螺絲	M6XP1.0XL12	4.00	EA
5.00	MS 0553617	SOC SET, CUP SCREW	杯型端固定螺絲	M6XP1.0XL16	4.00	EA
6.01	NV 00061150118	SUNK KEY	(雙圓頭鍵)平行鍵	L70XW8XH7(JIS-)	1.00	EA
7.00	NV 001011553A	COVER	軸蓋	D143xd73xL16	1.00	EA
8.00	NV 00002660203	BEARING, SPINDLE(12K-RPM)	主軸滾筒軸承(12K-RPM)	[SKF] N1012 KTNHA/HC5SPVR592	1.00	EA
9.00	NV 00094310202	O-RING	O型油環	[JIS] G155	1.00	EA
10.01	NVA000405202A	HOUSING, SPINDLE	軸承套	D225xd88xL261	1.00	EA
11.00	NV 000179901A	SPACER, SPINDLE	後間隔圈	D82Xd61.5xL14.8	1.00	EA
12.00	MS 0103617	SOCKET HEAD CAP SCREW	六角穴圓頭螺絲	M6xP1.0xL16	4.00	EA
13.00	MS 0553614	SOC SET, CUP POINT	杯型端固定螺絲	M6XP1.0XL8	1.00	EA
14.00	NV 00094310102	O-RING	O型油環	[JIS] P10	1.00	EA
15.00	NV 00094310203	O-RING	O型油環	[JIS] G160	1.00	EA
16.00	NV 000049216A	LOCKNUT	鎖緊螺帽	[SHIANG KAI]M70X2	1.00	EA
17.00	NVA000028301A	SPINDLE	主軸	D88.87Xd30XL469	1.00	EA
18.00	NVA000048115A	BUSHING	襯套	D178Xd165XL95	1.00	EA
19.01	NVA000179986A	SPACER, SPINDLE	間隔圈	D102Xd70XL8	1.00	EA
20.00	NV 00094310202	O-RING	O型油環	[JIS] G155	1.00	EA

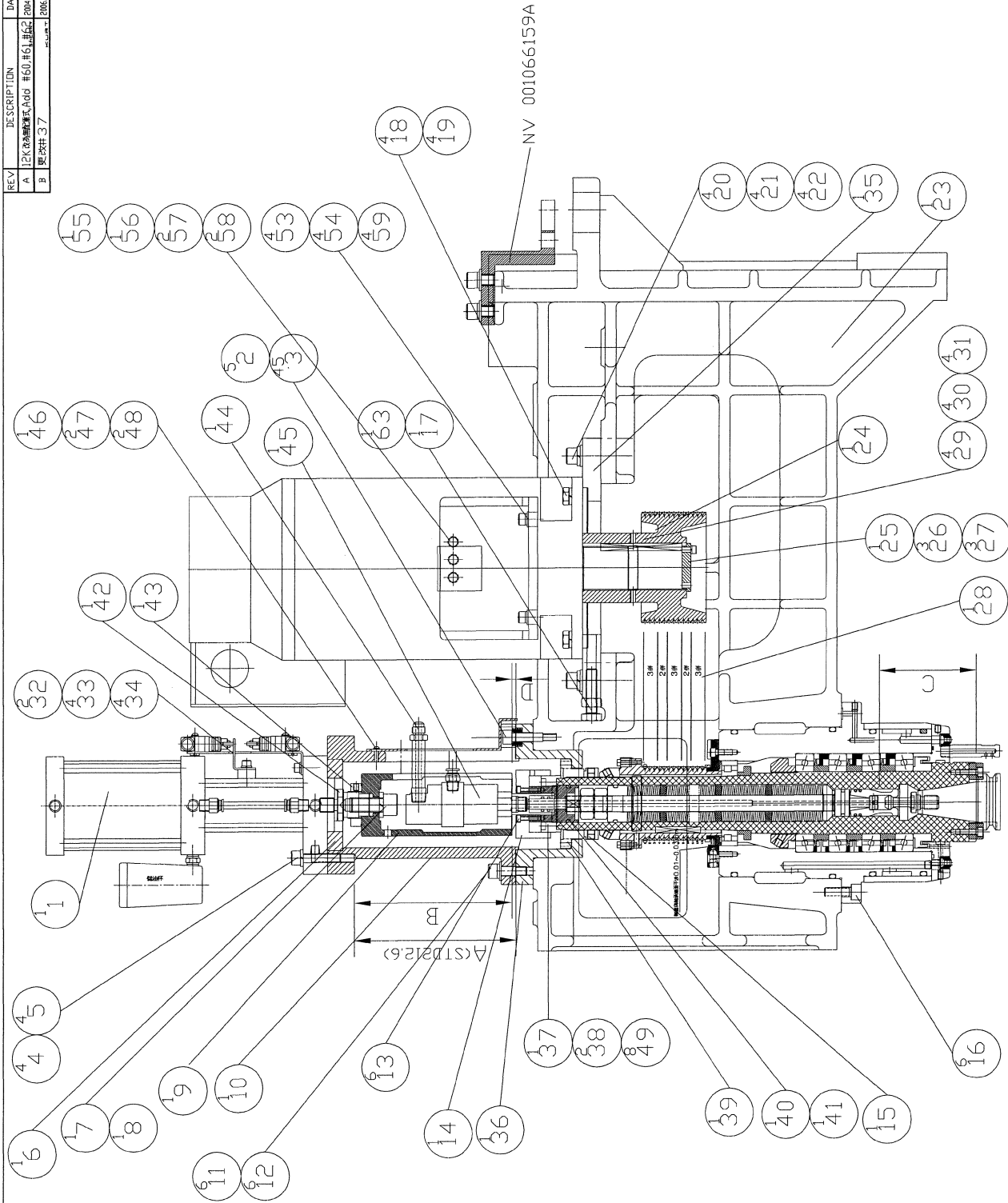
PRODUCT BOM MASTER AND SUB-ITEMS LIST

Item	Part NO.	Description	中文名稱	Specification	Qty	Unit
21.00	NV 00002660112	BEARING, SPINDLE	主軸斜角滾珠軸承	[SKF] 7014 ACETNH/HCQBCA VQ126	1.00	ST
22.00	NV 00094310202	O-RING	O型油環	[JIS] G155	1.00	EA
23.00	NV 00094310102	O-RING	O型油環	[JIS] P10	1.00	EA
25.00	NV 000753311J	KEY, SPINDLE	鍵	L17XW16XH15.86	1.00	EA
26.00	NV 000753312J	KEY, SPINDLE	鍵	L14.3XW16XH15.86	1.00	EA
27.00	NV 00094310201	O-RING	O型油環	[JIS] G120	1.00	EA
28.00	NV 00070110101	NOZZLE, COOLANT	冷卻水噴嘴	NOZ. 14	5.00	EA
29.00	MS 0104019	SOCKET HEAD CAP SCREW	六角穴圓頭螺絲	M10xP1.5xL25	6.00	EA
30.01	NVB001011552A	COVER	前蓋	D169.4xd89.1xL22.2	1.00	EA
31.00	MS 0553614	SOC SET, CUP POINT	杯型端固定螺絲	M6XP1.0XL8	3.00	EA
32.00	NV 00077031701	PLUG, SOCKET HEX.	塞頭	PT1/8	4.00	EA
37.00	NV 00094310205	O-RING	O型油環	[JIS] G95	1.00	EA
42.00	NV 000179924A	INTERNAL SPACER, SPINDLE	內間隔圈	D95.97xd70xL17	3.00	EA
43.00	NV 000179921A	EXTERNAL SPACER, SPINDLE	外間隔圈	D110xd84.03xL17	1.00	EA
44.00	NV 000179922A	EXTERNAL SPACER, SPINDLE	外間隔圈	D110xd84.03xL17	1.00	EA
45.00	NV 000179923A	EXTERNAL SPACER, SPINDLE	外間隔圈	D110xd84.03xL17	1.00	EA
46.00	NVA001023402A	INJECTOR, SPINDLE	噴油嘴	D15xd8xL32.9	1.00	EA
47.00	NVA001023403A	INJECTOR, SPINDLE	噴油嘴	D15.5xd8xL32.9	3.00	EA
48.00	NV 00094310207	O-RING	O型油環	[NOK] S7	4.00	EA
49.00	NV 00094310206	O-RING	O型油環	[NOK] S6	4.00	EA
50.00	MS 0303313	BUTTON HD. SOCKET	六角穴半圓頭螺絲	M3xP0.5xL6	4.00	EA
51.00	NV 00077031701	PLUG, SOCKET HEX.	塞頭	PT1/8	5.00	EA
52.00	MS 0103416	SOCKET HEAD CAP SCREW	六角穴圓頭螺絲	M4xP0.7xL12	4.00	EA

PRODUCT BOM MASTER AND SUB-ITEMS LIST

Item	Part NO.	Description	中文名稱	Specification	Qty	Unit
53.00	NV 00077031801	ELBOW, BRASS 90DEG MALE&FEMALE	90度內外雙螺紋肘管	PT1/8"xM10	5.00	EA
54.00	NV 00094310118	O-RING	O型油環	[JIS] P9	4.00	EA

REV	DESCRIPTION	DATE	ECN
A	12K 主轴单元 NV 001066159A	2004/1/29	INV048
B	更改# 37	2006/9/26	202



MODEL: VMC600/800/1000	
PART NAME	PART NUMBER
SPINDLE TRANSMISSION 12K-RPM, w/o Counter-balance, w/ CTS	NVA000000203AS
主轴单元 12K-RPM, 无配重, 中心给水	PAGE 1 OF 1
DATE: 2004/1/29	REV: B
SCALE: 1:1	

PRODUCT BOM MASTER AND SUB-ITEMS LIST

Master Item Part NO.: NVA000000203AS

Description: SPINDLE TRANSMISSION(12K-RPM,
主軸傳動(12K-RPM,無配重,中心給水)

Item Part NO.	Description	中文名稱	Specification	Qty	Unit
1.00	NV 000291700A BOOSTER CYLINDER	增壓缸	3TONSX13mm	1.00	ST
2.00	NV 000668403A BOLT, SPINDLE	螺栓[凸肩螺絲](中心給水)	M10X35	5.00	EA
3.00	NV 000733501 DISK SPRING	碟型彈簧	D20Xd10.2xL1.35(H0.8)	45.00	EA
4.00	MS 0104023 SOCKET HEAD CAP SCREW	六角穴圓頭螺絲	M10xP1.5xL45	4.00	EA
5.00	MW 0184010 SPRING WASHER	彈簧墊圈	M10	4.00	EA
6.00	NV 000048102A BUSHING	襯套	D102Xd60xL17	1.00	ST
7.00	NV 000668416A BOLT(CTS)	螺絲	M16xP2xL30	1.00	EA
8.00	MW 0184610 SPRING WASHER	彈簧墊圈	M16	1.00	EA
9.00	NV 001042102A CONTACT BLOCK	接觸塊	D76Xd18XL170	1.00	EA
10.00	NV 000981306A RING, THR SPD COOLANT	拉環(中心給水)	D180Xd96XL216	1.00	EA
11.00	MS 0104020 SOCKET HEAD CAP SCREW	六角穴圓頭螺絲	M10xP1.5xL30	6.00	EA
12.00	MW 0184010 SPRING WASHER	彈簧墊圈	M10	6.00	EA
13.00	MS 0103418 SOCKET HEAD CAP SCREW	六角穴圓頭螺絲	M4xP0.7xL20	6.00	EA
14.00	NV 001066110A SEAT, THR SPD COOLANT	支撐座	D76Xd25XL39	1.00	EA
15.00	NV 000049205A LOCKNUT	鎖緊螺帽	[SHIANG KAJJM60X2	1.00	EA
16.00	MS 0104020 SOCKET HEAD CAP SCREW	六角穴圓頭螺絲	M10xP1.5xL30	6.00	EA
17.00	MS 0154224 HEX HD. FULL THD	六角頭螺絲	M12XP1.75XL50(FULL THD)	1.00	EA
18.00	MS 0294420 HEX HEAD CAP SCREW	六角頭螺絲	M14XP2.0XL30	4.00	EA
19.00	MW 0184410 SPRINGE WASHER	彈簧墊圈	M14	4.00	EA
20.00	MS 0104223 SOCKET HEAD CAP SCREW	六角穴圓頭螺絲	M12XP1.75XL45	4.00	EA

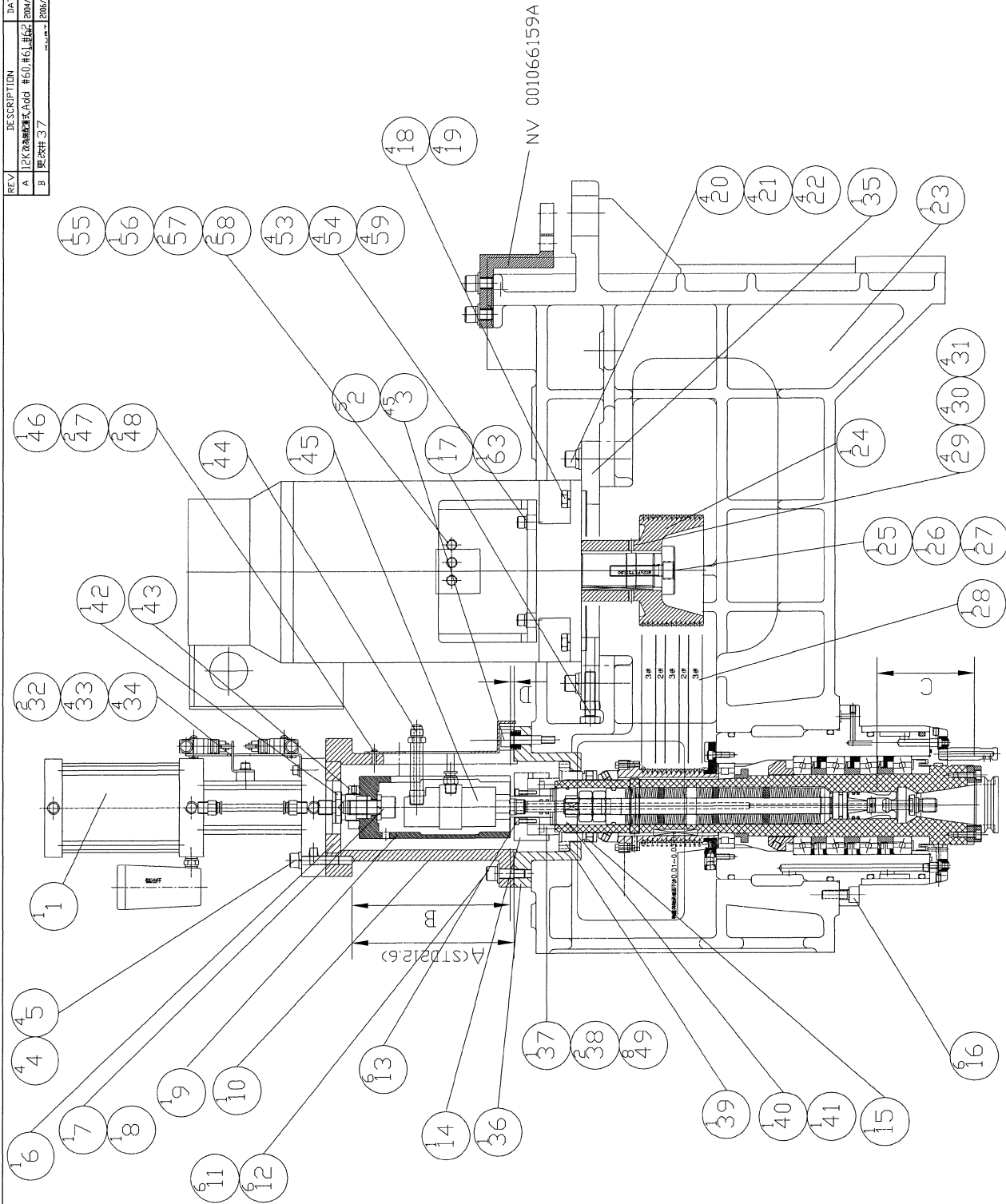
PRODUCT BOM MASTER AND SUB-ITEMS LIST

Item	Part NO.	Description	中文名稱	Specification	Qty	Unit
21.00	MW 0184210	SPRING WASHER	彈簧墊圈	M12	4.00	EA
22.00	NV 000199096A	PLATE	墊塊 (M12 washer)	D28xd13xf6 (M12 washer)	4.00	EA
23.03	NVA000026401A	HEADSTOCK(D40)	主軸箱(D40)	L867xW521.5xH512	1.00	EA
24.00	NV 000317728A	PULLEY, MOTOR(12K-RPM)(Fanuc)	馬達皮帶輪(12K-RPM)(Fanuc)	D123xd48xL137.4	1.00	EA
25.00	NV 000981321A	RETAINER, MOTOR PULLEY(Fanuc)	馬達皮帶輪固定環(Fanuc)	D54XL10	1.00	EA
26.00	MS 0103520	SOCKET HEAD CAP SCREW	六角穴圓頭螺絲	M5xP0.8xL30	3.00	EA
27.00	MW 0183510	SPRING WASHER	彈簧墊圈	M5	3.00	EA
28.00	NV 00033460106	V-BELT	皮帶	13-5MS 900 (3+2+3+2+3)	1.00	ST
29.00	MS 0553614	SOC SET, CUP POINT	杯型端固定螺絲	M6XP1.0XL8	4.00	EA
30.00	MS 0553616	SOC SET, CUP SCREW	杯型端固定螺絲	M6XP1.0XL12	4.00	EA
31.00	MS 0553617	SOC SET, CUP SCREW	杯型端固定螺絲	M6XP1.0XL16	4.00	EA
32.00	NVA000199034A	PLATE	固定板	L45xW10xH5	2.00	EA
33.00	MS 0103419	SOCKET HEAD CAP SCREW	六角穴圓頭螺絲	M4xP0.7xL25	4.00	EA
34.00	MW 0183410	SPRING WASHER	彈簧墊圈	M4	4.00	EA
35.00	NV 001066104A	SEAT, MOTOR	馬達座	L302XW210XH20	1.00	EA
36.00	NV 000981304A	RING, THR SPD COOLANT	拉環(中心給水)	D180Xd80XL75	1.00	EA
37.01	NV 001042101A	ADAPTER, ROTATING UNIONS	旋轉接頭座	D63Xd12XL55	1.00	EA
38.00	NV 00094310120	O-RING, 1000psi	O型油環(1000psi使用)	[JIS] P12 (Hs90)	2.00	EA
39.00	NV 000981305A	RING, THR SPD COOLANT	拉環(中心給水)	D99Xd57.84xL26	1.00	EA
40.00	NVA001042100A	ADAPTER, THR SPD COOLANT	連結座	D42Xd12xD55	1.00	EA
41.00	NV 00094310117	O-RING	O型油環	[JIS] P36 (MADE IN JAPAN)	1.00	EA
42.00	NV 001042103A	ADAPTER, THR SPD COOLANT	接頭	D34.5Xd14XL56	1.00	EA
43.00	NV 000049206A	LOCKNUT	鎖緊螺帽	[SHIANG KAIJ]M30X1.5	1.00	EA

PRODUCT BOM MASTER AND SUB-ITEMS LIST

Item	Part NO.	Description	中文名稱	Specification	Qty	Unit
44.00	NV 001010900A	PIPE, THR SPD COOLANT	水管接頭	D17Xd6.5XL90	1.00	EA
45.00	NV 00090810102	ROTARY COOLANT UNION(12000RPM)	切削水旋轉接頭(12000RPM)	DEUBLIN 1109-020-188	1.00	ST
46.00	NV 000199065A	BRACKET, COOLANT PIPE	接頭固定板	L170XW36XH55	1.00	EA
47.00	MS 0103515	SOCKET HEAD CAP SCREW	六角穴圓頭螺絲	M5xP0.8xL10	2.00	EA
48.00	MW 0183510	SPRING WASHER	彈簧墊圈	M5	2.00	EA
49.00	MS 0103418	SOCKET HEAD CAP SCREW	六角穴圓頭螺絲	M4xP0.7xL20	8.00	EA
53.00	MS 0103820	SOCKET HEAD CAP SCREW	六角穴圓頭螺絲	M8xP1.25xL30	4.00	EA
54.00	MW 0183810	SPRING WASHER	彈簧墊圈	M8	4.00	EA
55.00	MS 0104224	SOCKET HEAD CAP SCREW	六角穴圓頭螺絲	M12xP1.75xL50	1.00	EA
56.00	MN 0114210	HEXAGON NUT	六角螺帽	M12xP1.75	1.00	EA
57.00	NV 000499014A	SEAT	固定座	L160xW110xH45	2.00	EA
58.00	NV 000499015A	PLATE	板	L50xL50xH10	2.00	EA
59.00	MW 0103810	FLAT WASHER	平墊圈	M8 (d8*D22.2)	4.00	EA
63.00	MN 0114210	HEXAGON NUT	六角螺帽	M12xP1.75	1.00	EA

REV	DESCRIPTION	DATE	ECN
A	12K 液壓傳動式 Add #60 增加止動	2004/1/29	INVVAR
B	更改件 37	2006/9/26	202



MODEL	VMC600/800/1000
PART NAME	SPINDLE TRANSMISSION-HPM, w/o Counter-balance, w/ CTS, SIEMENS
PART NUMBER	NVA000000213AS
DATE	2004/1/29
SCALE	1:1
PAGE	1
DF	1
REV	B

PRODUCT BOM MASTER AND SUB-ITEMS LIST

Master Item Part NO.: NVA000000213AS

Description: SPINDLE TRANSMISSION(12K-RPM,

主軸傳動(12K-RPM,無配重,中心給水, SIEMENS

Item Part NO.	Description	中文名稱	Specification	Qty	Unit
1.00 NV 000291700A	BOOSTER CYLINDER	增壓缸	3TONSX13mm	1.00	ST
2.00 NV 000668403A	BOLT, SPINDLE	螺栓[凸肩螺絲](中心給水)	M10X35	5.00	EA
3.00 NV 000733501	DISK SPRING	碟型彈簧	D20Xd10.2xL1.35(H0.8)	45.00	EA
4.00 MS 0104023	SOCKET HEAD CAP SCREW	六角穴圓頭螺絲	M10xP1.5xL45	4.00	EA
5.00 MW 0184010	SPRING WASHER	彈簧墊圈	M10	4.00	EA
6.00 NV 000048102A	BUSHING	襯套	D102Xd60xL17	1.00	ST
7.00 NV 000668416A	BOLT(CTS)	螺絲	M16xP2xL30	1.00	EA
8.00 MW 0184610	SPRING WASHER	彈簧墊圈	M16	1.00	EA
9.00 NV 001042102A	CONTACT BLOCK	接觸塊	D76Xd18XL170	1.00	EA
10.00 NV 000981306A	RING, THR SPD COOLANT	拉環(中心給水)	D180Xd96XL216	1.00	EA
11.00 MS 0104020	SOCKET HEAD CAP SCREW	六角穴圓頭螺絲	M10xP1.5xL30	6.00	EA
12.00 MW 0184010	SPRING WASHER	彈簧墊圈	M10	6.00	EA
13.00 MS 0103418	SOCKET HEAD CAP SCREW	六角穴圓頭螺絲	M4xP0.7xL20	6.00	EA
14.00 NV 001066110A	SEAT, THR SPD COOLANT	支撐座	D76Xd25XL39	1.00	EA
15.00 NV 000049205A	LOCKNUT	鎖緊螺帽	[SHIANG KAIJM60X2	1.00	EA
16.00 MS 0104020	SOCKET HEAD CAP SCREW	六角穴圓頭螺絲	M10xP1.5xL30	6.00	EA
17.00 MS 0154224	HEX HD. FULL THD	六角頭螺絲	M12XP1.75XL50(FULL THD)	1.00	EA
18.00 MS 0154221	HEX HD., FULL THD	六角頭螺絲	M12XP1.75XL35	4.00	EA
19.00 MW 0184210	SPRING WASHER	彈簧墊圈	M12	4.00	EA
20.00 MS 0104223	SOCKET HEAD CAP SCREW	六角穴圓頭螺絲	M12XP1.75XL45	4.00	EA

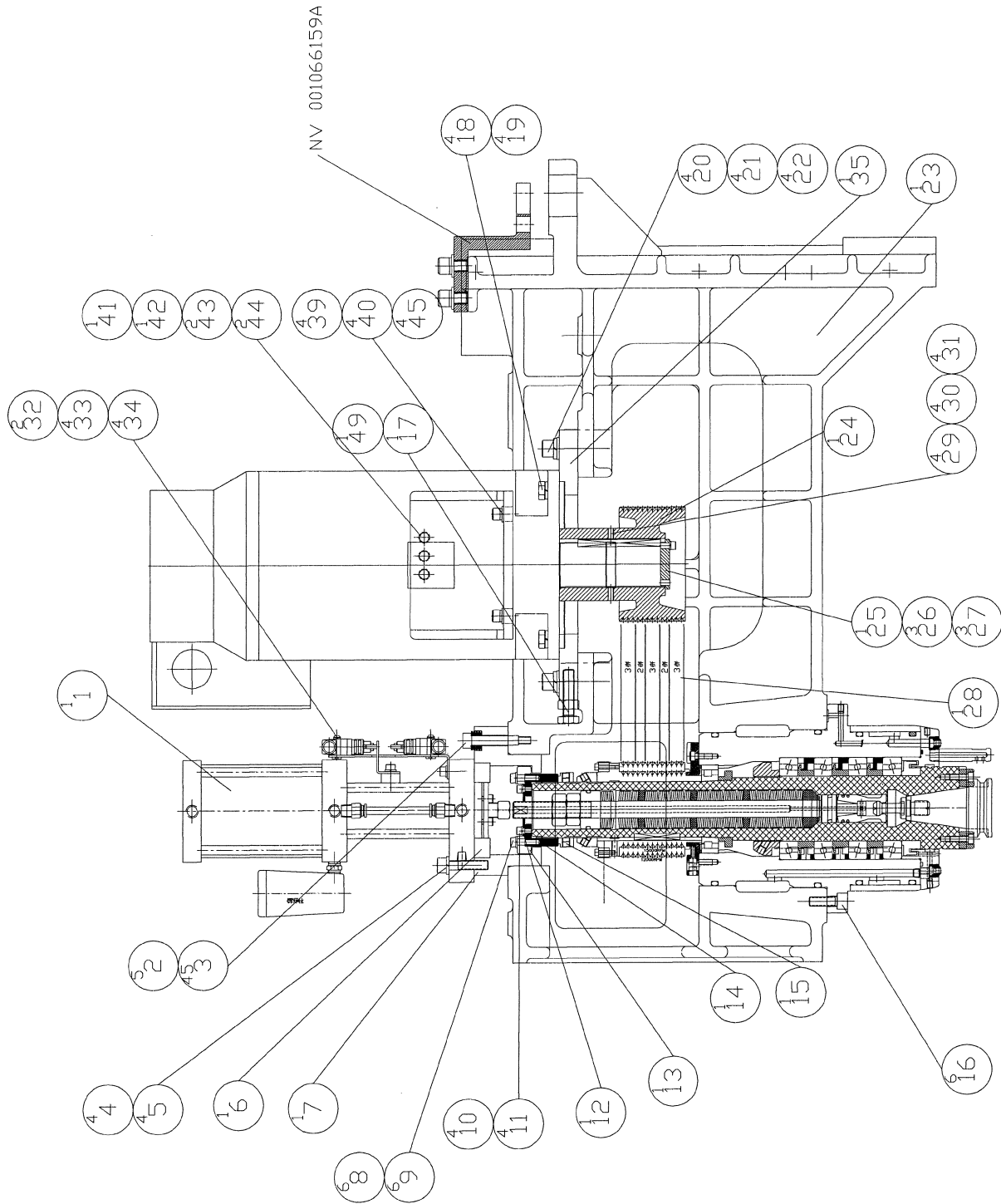
PRODUCT BOM MASTER AND SUB-ITEMS LIST

Item	Part NO.	Description	中文名稱	Specification	Qty	Unit
21.00	MW 0184210	SPRING WASHER	彈簧墊圈	M12	4.00	EA
22.00	NV 000199096A	PLATE	墊塊(M12 washer)	D28xd13xt6 (M12 washer)	4.00	EA
23.03	NVA000026401A	HEADSTOCK(D40)	主軸箱(D40)	L867xW521.5xH512	1.00	EA
24.01	NV 000317729A	PULLEY, MOTOR(12K-RPM)(Siemens)	馬達皮帶輪(12K-RPM)(Siemens)	D123xd38xL137.4	1.00	EA
25.00	NV 000981320A	RETAINER, MOTOR PULLEY(Siemens)	馬達皮帶輪固定環(Siemens)	D54XL24.5	1.00	EA
26.00	MS 0104226	SOCKET HEAD CAP SCREW	六角穴圓頭螺絲	M12xP1.75xL60	1.00	EA
27.00	MW 0184210	SPRING WASHER	彈簧墊圈	M12	1.00	EA
28.00	NV 00033460106	V-BELT	皮帶	13-5MS 900 (3+2+3+2+3)	1.00	ST
29.00	MS 0553614	SOC SET, CUP POINT	杯型端固定螺絲	M6XP1.0XL8	4.00	EA
30.00	MS 0553616	SOC SET, CUP SCREW	杯型端固定螺絲	M6XP1.0XL12	4.00	EA
31.00	MS 0553617	SOC SET, CUP SCREW	杯型端固定螺絲	M6XP1.0XL16	4.00	EA
32.00	NVA000199034A	PLATE	固定板	L45xW10xH5	2.00	EA
33.00	MS 0103419	SOCKET HEAD CAP SCREW	六角穴圓頭螺絲	M4xP0.7xL25	4.00	EA
34.00	MW 0183410	SPRING WASHER	彈簧墊圈	M4	4.00	EA
35.01	NV 001066136A	SEAT, MOTOR(SIEMENSE)	馬達座(西門子)	L302XW210XH20	1.00	EA
36.00	NV 000981304A	RING, THR SPD COOLANT	拉環(中心給水)	D180Xd80XL75	1.00	EA
37.01	NV 001042101A	ADAPTER, ROTATING UNIONS	旋轉接頭座	D63Xd12XL55	1.00	EA
38.00	NV 00094310120	O-RING, 1000psi	O型油環(1000psi使用)	[JIS] P12 (Hs90)	2.00	EA
39.00	NV 000981305A	RING, THR SPD COOLANT	拉環(中心給水)	D99Xd57.84xL26	1.00	EA
40.00	NVA001042100A	ADAPTER, THR SPD COOLANT	連結座	D42Xd12xD55	1.00	EA
41.00	NV 00094310117	O-RING	O型油環	[JIS] P36 (MADE IN JAPAN)	1.00	EA
42.00	NV 001042103A	ADAPTER, THR SPD COOLANT	接頭	D34.5Xd14XL56	1.00	EA
43.00	NV 000049206A	LOCKNUT	鎖緊螺帽	[SHIANG KAJIM30X1.5	1.00	EA

PRODUCT BOM MASTER AND SUB-ITEMS LIST

Item Part NO.	Description	中文名稱	Specification	Qty	Unit
44.00 NV 001010900A	PIPE, THR SPD COOLANT	水管接頭	D17Xd6.5XL90	1.00	EA
45.00 NV 00090810102	ROTARY COOLANT UNION('12000RPM)	切削水旋轉接頭(12000RPM)	DEUBLIN 1109-020-188	1.00	ST
46.00 NV 000199065A	BRACKET, COOLANT PIPE	接頭固定板	L170XW36XH55	1.00	EA
47.00 MS 0103515	SOCKET HEAD CAP SCREW	六角穴圓頭螺絲	M5xP0.8xL10	2.00	EA
48.00 MW 0183510	SPRING WASHER	彈簧墊圈	M5	2.00	EA
49.00 MS 0103418	SOCKET HEAD CAP SCREW	六角穴圓頭螺絲	M4xP0.7xL20	8.00	EA
53.00 MS 0103820	SOCKET HEAD CAP SCREW	六角穴圓頭螺絲	M8xP1.25xL30	4.00	EA
54.00 MW 0183810	SPRING WASHER	彈簧墊圈	M8	4.00	EA
55.00 MS 0104224	SOCKET HEAD CAP SCREW	六角穴圓頭螺絲	M12xP1.75xL50	1.00	EA
56.00 MN 0114210	HEXGON NUT	六角螺帽	M12xP1.75	1.00	EA
57.00 NV 000499014A	SEAT	固定座	L160xW110xH45	2.00	EA
58.00 NV 000499015A	PLATE	板	L50xL50xH10	2.00	EA
59.00 MW 0103810	FLAT WASHER	平墊圈	M8 (d8*D22.2)	4.00	EA
63.00 MN 0114210	HEXGON NUT	六角螺帽	M12xP1.75	1.00	EA

REV	DESCRIPTION	DATE	ECN
A	PKCAMMTC,Add #45,47,48, 28M/29 INV0484		



MODEL: VMC600/800/1000	PART NUMBER
SPINDLE TRANSMISSION(K-RPM, w/o Counter-balance)	NVA000000201AS
主軸傳動(1.2K-RPM, 無配重)	PAGE 1 OF 1
DATE 2004/1/29	REV. A
SCALE 1:7	

PRODUCT BOM MASTER AND SUB-ITEMS LIST

Master Item Part NO.: NVA000000201AS

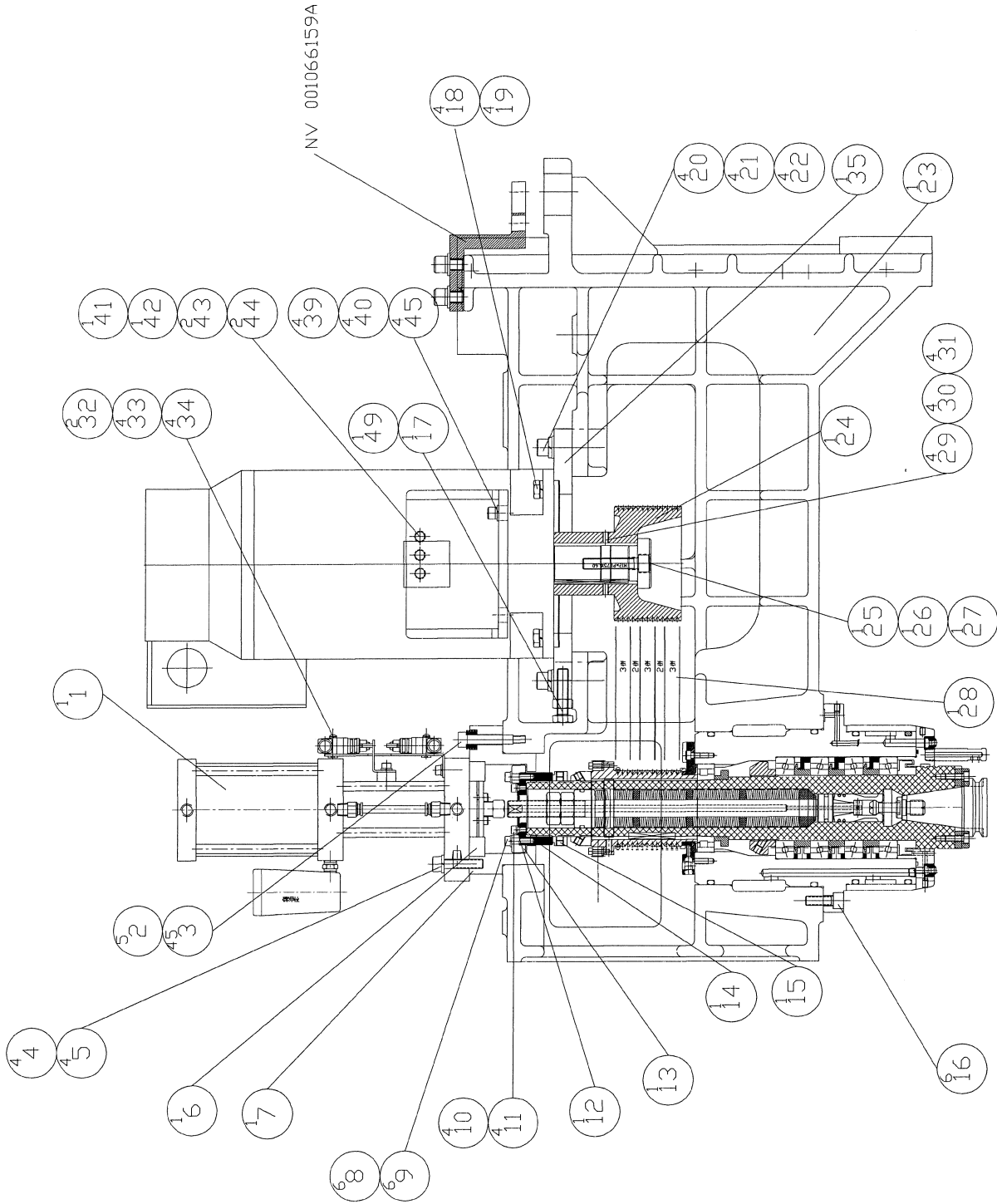
Description: SPINDLE TRANSMISSION(12K-RPM,
主軸傳動(12K-RPM,無配重)

Item Part NO.	Description	中文名稱	Specification	Qty	Unit
1.00	NV 000291700A BOOSTER CYLINDER	增壓缸	3TONSX13mm	1.00	ST
2.00	NV 000668400A BOLT, SPINDLE	螺栓[凸肩螺絲]	M10X50	5.00	EA
3.00	NV 000733501 DISK SPRING	碟型彈簧	D20Xd10.2xL1.35(H0.8)	45.00	EA
4.00	MS 0104023 SOCKET HEAD CAP SCREW	六角穴圓頭螺絲	M10xP1.5xL45	4.00	EA
5.00	MW 0184010 SPRING WASHER	彈簧墊圈	M10	4.00	EA
6.00	NV 000048102A BUSHING	襯套	D102Xd60xL17	1.00	ST
7.00	NV 000981300A RING	拉環	D180Xd80xL73	1.00	EA
8.00	MS 0103618 SOCKET HEAD CAP SCREW	六角穴圓頭螺絲	M6xP1.0xL20	6.00	EA
9.00	MW 0183610 SPRING WASHER	彈簧墊圈	M6	6.00	EA
10.00	MS 0103515 SOCKET HEAD CAP SCREW	六角穴圓頭螺絲	M5xP0.8xL10	4.00	EA
11.00	MW 0183510 SPRING WASHER	彈簧墊圈	M5	4.00	EA
12.00	NVA000199000A PLATE, SPINDLE	固定板	D55Xd14XL2.3	1.00	EA
13.00	NV 000981302A RING	拉環	D94Xd56XL15	1.00	EA
14.00	NV 000981301A RING	拉環	D78Xd30XL36	1.00	EA
15.00	NV 000049205A LOCKNUT	鎖緊螺帽	[SHIANG KAJJM60X2	1.00	EA
16.00	MS 0104020 SOCKET HEAD CAP SCREW	六角穴圓頭螺絲	M10xP1.5xL30	6.00	EA
17.00	MS 0154224 HEX HD. FULL THD	六角頭螺絲	M12XP1.75XL50(FULL THD)	1.00	EA
18.00	MS 0294420 HEX HEAD CAP SCREW	六角頭螺絲	M14XP2.0XL30	4.00	EA
19.00	MW 0184410 SPRINGE WASHER	彈簧墊圈	M14	4.00	EA
20.00	MS 0104223 SOCKET HEAD CAP SCREW	六角穴圓頭螺絲	M12XP1.75XL45	4.00	EA

PRODUCT BOM MASTER AND SUB-ITEMS LIST

Item	Part NO.	Description	中文名稱	Specification	Qty	Unit
21.00	MW 0184210	SPRING WASHER	彈簧墊圈	M12	4.00	EA
22.00	NV 000199096A	PLATE	墊塊(M12 washer)	D28xd13xt6 (M12 washer)	4.00	EA
23.03	NVA000026401A	HEADSTOCK(D40)	主軸箱(D40)	L867xW521.5xH512	1.00	EA
24.00	NV 000317728A	PULLEY, MOTOR(12K-RPM)(Fanuc)	馬達皮帶輪(12K-RPM)(Fanuc)	D123xd48xL137.4	1.00	EA
25.00	NV 000981321A	RETAINER, MOTOR PULLEY(Fanuc)	馬達皮帶輪固定環(Fanuc)	D54XL10	1.00	EA
26.00	MS 0103520	SOCKET HEAD CAP SCREW	六角穴圓頭螺絲	M5xP0.8xL30	3.00	EA
27.00	MW 0183510	SPRING WASHER	彈簧墊圈	M5	3.00	EA
28.00	NV 00033460106	V-BELT	皮帶	13-5MS 900 (3+2+3+2+3)	1.00	ST
29.00	MS 0553614	SOC SET, CUP POINT	杯型端固定螺絲	M6XP1.0XL8	4.00	EA
30.00	MS 0553616	SOC SET, CUP SCREW	杯型端固定螺絲	M6XP1.0XL12	4.00	EA
31.00	MS 0553617	SOC SET, CUP SCREW	杯型端固定螺絲	M6XP1.0XL16	4.00	EA
32.00	NVA000199034A	PLATE	固定板	L45xW10xH5	2.00	EA
33.00	MS 0103419	SOCKET HEAD CAP SCREW	六角穴圓頭螺絲	M4xP0.7xL25	4.00	EA
34.00	MW 0183410	SPRING WASHER	彈簧墊圈	M4	4.00	EA
35.00	NV 001066104A	SEAT, MOTOR	馬達座	L302XW210XH20	1.00	EA
39.00	MS 0103820	SOCKET HEAD CAP SCREW	六角穴圓頭螺絲	M8xP1.25xL30	4.00	EA
40.00	MW 0183810	SPRING WASHER	彈簧墊圈	M8	4.00	EA
41.00	MS 0104224	SOCKET HEAD CAP SCREW	六角穴圓頭螺絲	M12xP1.75xL50	1.00	EA
42.00	MN 0114210	HEXAGON NUT	六角螺帽	M12xP1.75	1.00	EA
43.00	NV 000499014A	SEAT	固定座	L160xW110xH45	2.00	EA
44.00	NV 000499015A	PLATE	板	L50xL50xH10	2.00	EA
45.00	MW 0103810	FLAT WASHER	平墊圈	M8 (d8*D22.2)	4.00	EA
49.00	MN 0114210	HEXAGON NUT	六角螺帽	M12xP1.75	1.00	EA

REV.	DESCRIPTION	DATE	ECN.
A	12K 2004/1/29 #45 #47 #48	2004/1/29	NV168



MODEL: VMC600/800/1000	PART NUMBER
PART NAME	NV A000000211AS
SPINDLE TRANSMISSION 12K-RPM, w/o Counter-balance, SIEMENS	PAGE 1 OF 1
主軸傳動 12K-RPM, 無配重, SIEMENS	REV. A
DATE: 2004/1/29	SCALE: 1:7

PRODUCT BOM MASTER AND SUB-ITEMS LIST

Master Item Part NO.: NVA000000211AS

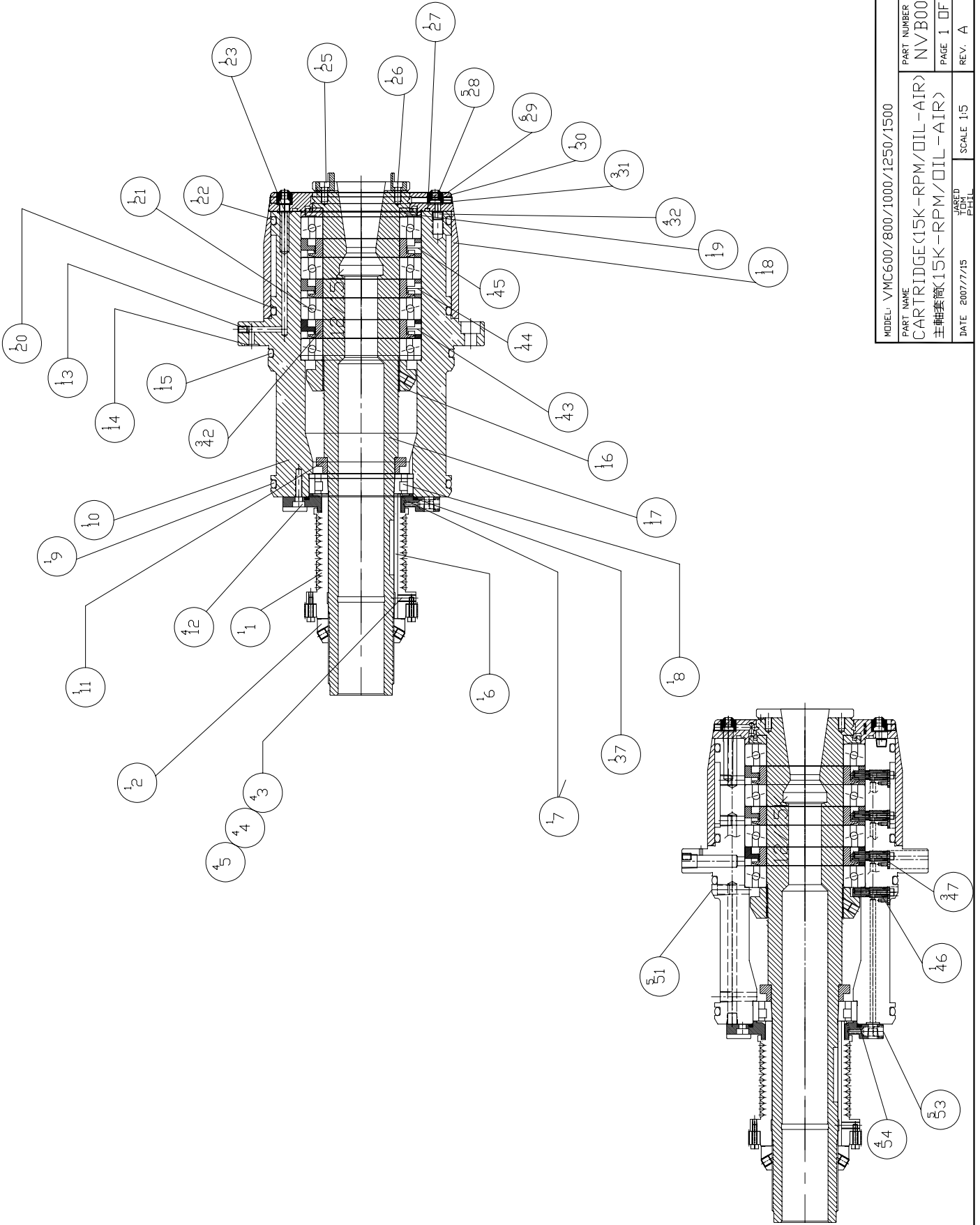
Description: SPINDLE TRANSMISSION(12K-RPM,
主軸傳動(12K-RPM,無配重, SIEMENS))

Item Part NO.	Description	中文名稱	Specification	Qty	Unit
1.00 NV 000291700A	BOOSTER CYLINDER	增壓缸	3TONSX13mm	1.00	ST
2.00 NV 000668400A	BOLT, SPINDLE	螺栓[凸肩螺絲]	M10X50	5.00	EA
3.00 NV 000733501	DISK SPRING	碟型彈簧	D20Xd10.2xL1.35(H0.8)	45.00	EA
4.00 MS 0104023	SOCKET HEAD CAP SCREW	六角穴圓頭螺絲	M10xP1.5xL45	4.00	EA
5.00 MW 0184010	SPRING WASHER	彈簧墊圈	M10	4.00	EA
6.00 NV 000048102A	BUSHING	襯套	D102Xd60xL17	1.00	ST
7.00 NV 000981300A	RING	拉環	D180Xd80xL73	1.00	EA
8.00 MS 0103618	SOCKET HEAD CAP SCREW	六角穴圓頭螺絲	M6xP1.0xL20	6.00	EA
9.00 MW 0183610	SPRING WASHER	彈簧墊圈	M6	6.00	EA
10.00 MS 0103515	SOCKET HEAD CAP SCREW	六角穴圓頭螺絲	M5xP0.8xL10	4.00	EA
11.00 MW 0183510	SPRING WASHER	彈簧墊圈	M5	4.00	EA
12.00 NVA000199000A	PLATE, SPINDLE	固定板	D55Xd14XL2.3	1.00	EA
13.00 NV 000981302A	RING	拉環	D94Xd56XL15	1.00	EA
14.00 NV 000981301A	RING	拉環	D78Xd30XL36	1.00	EA
15.00 NV 000049205A	LOCKNUT	鎖緊螺帽	[SHIANG KAIJM60X2	1.00	EA
16.00 MS 0104020	SOCKET HEAD CAP SCREW	六角穴圓頭螺絲	M10xP1.5xL30	6.00	EA
17.00 MS 0154224	HEX HD. FULL THD	六角頭螺絲	M12XP1.75XL50(FULL THD)	1.00	EA
18.00 MS 0154221	HEX HD., FULL THD	六角頭螺絲	M12XP1.75XL35	4.00	EA
19.00 MW 0184210	SPRING WASHER	彈簧墊圈	M12	4.00	EA
20.00 MS 0104223	SOCKET HEAD CAP SCREW	六角穴圓頭螺絲	M12XP1.75XL45	4.00	EA

PRODUCT BOM MASTER AND SUB-ITEMS LIST

Item	Part NO.	Description	中文名稱	Specification	Qty	Unit
21.00	MW 0184210	SPRING WASHER	彈簧墊圈	M12	4.00	EA
22.00	NV 000199096A	PLATE	墊塊(M12 washer)	D28xd13xt6 (M12 washer)	4.00	EA
23.03	NVA000026401A	HEADSTOCK(D40)	主軸箱(D40)	L867xW521.5xH512	1.00	EA
24.01	NV 000317729A	PULLEY, MOTOR(12K-RPM)(Siemens)	馬達皮帶輪(12K-RPM)(Siemens)	D123xd38xL137.4	1.00	EA
25.00	NV 000981320A	RETAINER, MOTOR PULLEY(Siemens)	馬達皮帶輪固定環(Siemens)	D54XL24.5	1.00	EA
26.00	MS 0104226	SOCKET HEAD CAP SCREW	六角穴圓頭螺絲	M12xP1.75xL60	1.00	EA
27.00	MW 0184210	SPRING WASHER	彈簧墊圈	M12	1.00	EA
28.00	NV 00033460106	V-BELT	皮帶	13-5MS 900 (3+2+3+2+3)	1.00	ST
29.00	MS 0553614	SOC SET, CUP POINT	杯型端固定螺絲	M6XP1.0XL8	4.00	EA
30.00	MS 0553616	SOC SET, CUP SCREW	杯型端固定螺絲	M6XP1.0XL12	4.00	EA
31.00	MS 0553617	SOC SET, CUP SCREW	杯型端固定螺絲	M6XP1.0XL16	4.00	EA
32.00	NVA000199034A	PLATE	固定板	L45xW10xH5	2.00	EA
33.00	MS 0103419	SOCKET HEAD CAP SCREW	六角穴圓頭螺絲	M4xP0.7xL25	4.00	EA
34.00	MW 0183410	SPRING WASHER	彈簧墊圈	M4	4.00	EA
35.01	NV 001066136A	SEAT, MOTOR(SIEMENSE)	馬達座(西門子)	L302XW210XH20	1.00	EA
39.00	MS 0103820	SOCKET HEAD CAP SCREW	六角穴圓頭螺絲	M8xP1.25xL30	4.00	EA
40.00	MW 0183810	SPRING WASHER	彈簧墊圈	M8	4.00	EA
41.00	MS 0104224	SOCKET HEAD CAP SCREW	六角穴圓頭螺絲	M12xP1.75xL50	1.00	EA
42.00	MN 0114210	HEXAGON NUT	六角螺帽	M12xP1.75	1.00	EA
43.00	NV 000499014A	SEAT	固定座	L160xW110xH45	2.00	EA
44.00	NV 000499015A	PLATE	板	L50xL50xH10	2.00	EA
45.00	MW 0103810	FLAT WASHER	平墊圈	M8 (d8*D22.2)	4.00	EA
49.00	MN 0114210	HEXAGON NUT	六角螺帽	M12xP1.75	1.00	EA

REV	DESCRIPTION	DATE	ECN
A	VMC600/800/1000/1250/1500主軸套筒	2007/7/15	6-4



MODEL: VMC600/800/1000/1250/1500	PART NUMBER	REV. A
PART NAME	NV B000015702AS	
CARTRIDGE<15K-RPM/OIL-AIR>	PAGE 1 OF 1	
主軸套筒<15K-RPM/OIL-AIR>	SCALE 1:5	
DATE 2007/7/15	JARED PHEL	

PRODUCT BOM MASTER AND SUB-ITEMS LIST

Master Item Part NO.: NVB000015702AS

Description: CARTRIDGE(15K-RPM/OIL-AIR)
主軸套筒(15K-RPM/OIL-AIR)

Item	Part NO.	Description	中文名稱	Specification	Qty	Unit
1.00	NV 000317716A	SPINDLE PULLEY(10K/12K/15K-RPM	主軸皮帶輪(10K/12K/15K-RPM)	D100xd60xL114	1.00	EA
2.00	NV 000049204A	LOCKNUT	鎖緊螺帽	[SHIANG KAI]M60X2(GRINDING)	1.00	EA
3.00	MS 0553614	SOC SET, CUP POINT	杯型端固定螺絲	M6XP1.0XL8	4.00	EA
4.00	MS 0553616	SOC SET, CUP SCREW	杯型端固定螺絲	M6XP1.0XL12	4.00	EA
5.00	MS 0553617	SOC SET, CUP SCREW	杯型端固定螺絲	M6XP1.0XL16	4.00	EA
6.01	NV 00061150118	SUNK KEY	(雙圓頭鍵)平行鍵	L70XW8XH7(JIS-)	1.00	EA
7.00	NV 001011553A	COVER	軸蓋	D143xd73xL16	1.00	EA
8.00	NV 00002660203	BEARING, SPINDLE(12K-RPM)	主軸滾筒軸承(12K-RPM)	[SKF] N1012 KTNHA/HC5SPVR592	1.00	EA
9.00	NV 00094310202	O-RING	O型油環	[JIS] G155	1.00	EA
10.02	NVA000405202A	HOUSING, SPINDLE	軸承套	D225xd88xL261	1.00	EA
11.00	NV 000179901A	SPACER, SPINDLE	後間隔圈	D82Xd61.5xL14.8	1.00	EA
12.00	MS 0103617	SOCKET HEAD CAP SCREW	六角穴圓頭螺絲	M6xP1.0xL16	4.00	EA
13.00	MS 0553614	SOC SET, CUP POINT	杯型端固定螺絲	M6XP1.0XL8	1.00	EA
14.00	NV 00094310102	O-RING	O型油環	[JIS] P10	1.00	EA
15.00	NV 00094310203	O-RING	O型油環	[JIS] G160	1.00	EA
16.00	NV 000049216A	LOCKNUT	鎖緊螺帽	[SHIANG KAI]M70X2	1.00	EA
17.00	NVA000028301A	SPINDLE	主軸	D88.87Xd30XL469	1.00	EA
18.00	NVA000048115A	BUSHING	襯套	D178Xd165XL95	1.00	EA
19.01	NVA000179986A	SPACER, SPINDLE	間隔圈	D102Xd70XL8	1.00	EA
20.00	NV 00094310202	O-RING	O型油環	[JIS] G155	1.00	EA

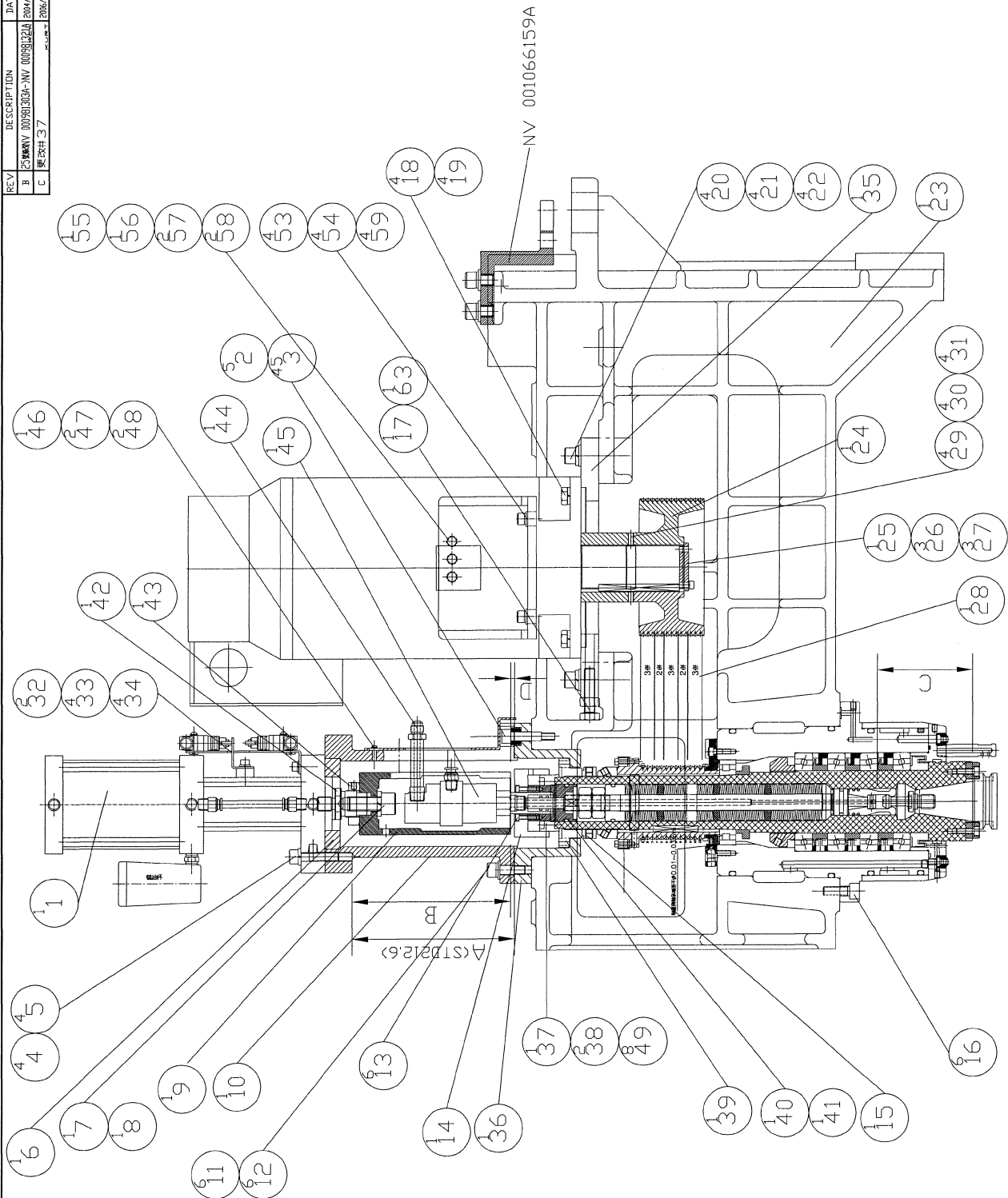
PRODUCT BOM MASTER AND SUB-ITEMS LIST

Item	Part NO.	Description	中文名稱	Specification	Qty	Unit
21.00	NV 00002660112	BEARING, SPINDLE	主軸斜角滾珠軸承	[SKF] 7014 ACETNH/HCQBCA VQ126	1.00	ST
22.00	NV 00094310202	O-RING	O型油環	[JIS] G155	1.00	EA
23.00	NV 00094310102	O-RING	O型油環	[JIS] P10	1.00	EA
25.00	NV 000753311J	KEY, SPINDLE	鍵	L17XW16XH15.86	1.00	EA
26.00	NV 000753312J	KEY, SPINDLE	鍵	L14.3XW16XH15.86	1.00	EA
27.00	NV 00094310201	O-RING	O型油環	[JIS] G120	1.00	EA
28.00	NV 00070110101	NOZZLE, COOLANT	冷卻水噴嘴	NOZ. 14	5.00	EA
29.00	MS 0104019	SOCKET HEAD CAP SCREW	六角穴圓頭螺絲	M10xP1.5xL25	6.00	EA
30.01	NVB001011552A	COVER	前蓋	D169.4xd89.1xL22.2	1.00	EA
31.00	MS 0553614	SOC SET, CUP POINT	杯型端固定螺絲	M6XP1.0XL8	3.00	EA
32.00	NV 00077031701	PLUG, SOCKET HEX.	塞頭	PT1/8	4.00	EA
37.00	NV 00094310205	O-RING	O型油環	[JIS] G95	1.00	EA
42.00	NV 000179924A	INTERNAL SPACER, SPINDLE	內間隔圈	D95.97xd70xL17	3.00	EA
43.00	NV 000179921A	EXTERNAL SPACER, SPINDLE	外間隔圈	D110xd84.03xL17	1.00	EA
44.00	NV 000179922A	EXTERNAL SPACER, SPINDLE	外間隔圈	D110xd84.03xL17	1.00	EA
45.00	NV 000179923A	EXTERNAL SPACER, SPINDLE	外間隔圈	D110xd84.03xL17	1.00	EA
46.00	NVA001023402A	INJECTOR, SPINDLE	噴油嘴	D15xd8xL32.9	1.00	EA
47.00	NVA001023403A	INJECTOR, SPINDLE	噴油嘴	D15.5xd8xL32.9	3.00	EA
48.00	NV 00094310207	O-RING	O型油環	[NOK] S7	4.00	EA
49.00	NV 00094310206	O-RING	O型油環	[NOK] S6	4.00	EA
50.00	MS 0303313	BUTTON HD. SOCKET	六角穴半圓頭螺絲	M3xP0.5xL6	4.00	EA
51.00	NV 00077031701	PLUG, SOCKET HEX.	塞頭	PT1/8	5.00	EA
52.00	MS 0103416	SOCKET HEAD CAP SCREW	六角穴圓頭螺絲	M4xP0.7xL12	4.00	EA

PRODUCT BOM MASTER AND SUB-ITEMS LIST

Item	Part NO.	Description	中文名稱	Specification	Qty	Unit
53.00	NV 00077031801	ELBOW, BRASS 90DEG MALE&FEMALE	90度內外雙螺紋肘管	PT1/8"xM10	5.00	EA
54.00	NV 00094310118	O-RING	O型油環	[JIS] P9	4.00	EA

REV.	DESCRIPTION	DATE	ECN
B	2006/09/28 NV 001066159A	2006/12/16	TIN0485
C	2006/09/28	2006/09/28	202



MODEL: VMC600/800/1000	PART NUMBER	REV. C
PART NAME	NV 000000224AS	PAGE 1 OF 1
SPINDLE TRANSMISSION(15K-RPM,w/o Counter-balance)		SCALE 1:1
主軸傳動(15K-RPM, 中心給水, 無配重)		SCALE 1:1
DATE 2002/7/15		

PRODUCT BOM MASTER AND SUB-ITEMS LIST

Master Item Part NO.: NV 000000224AS

Description: SPINDLE TRANSMISSION(15K-RPM,
主軸傳動(15K-RPM,無配重,中心給水)

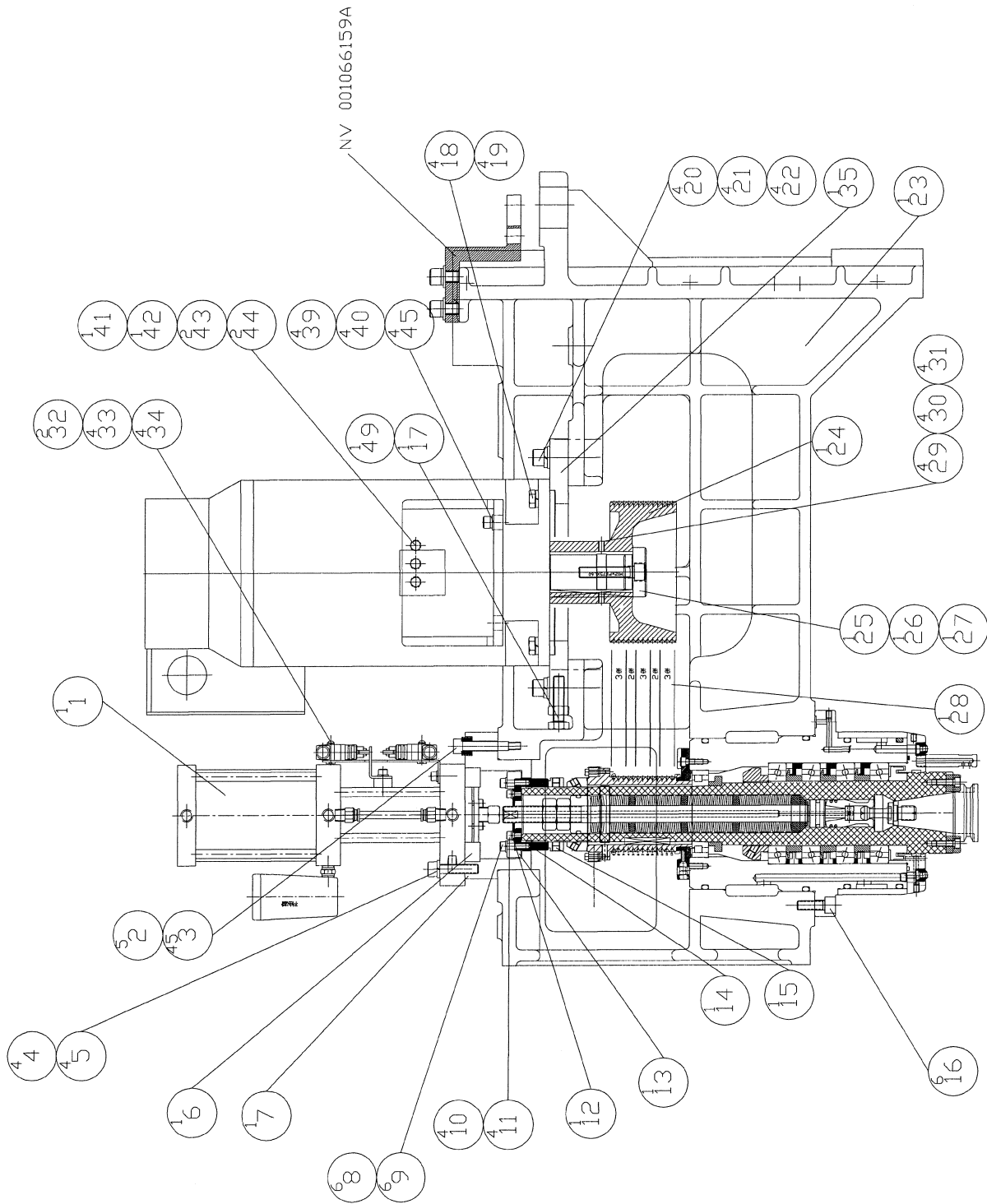
Item Part NO.	Description	中文名稱	Specification	Qty	Unit
1.00	NV 000291700A BOOSTER CYLINDER	增壓缸	3TONSX13mm	1.00	ST
2.00	NV 000668403A BOLT, SPINDLE	螺栓[凸肩螺絲](中心給水)	M10X35	5.00	EA
3.00	NV 000733501 DISK SPRING	碟型彈簧	D20Xd10.2xL1.35(H0.8)	45.00	EA
4.00	MS 0104023 SOCKET HEAD CAP SCREW	六角穴圓頭螺絲	M10xP1.5xL45	4.00	EA
5.00	MW 0184010 SPRING WASHER	彈簧墊圈	M10	4.00	EA
6.00	NV 000048102A BUSHING	襯套	D102Xd60xL17	1.00	ST
7.00	MS 0104620 SOCKET HEAD CAP SCREW	六角穴圓頭螺絲	M16xP2.0xL30	1.00	EA
8.00	MW 0184610 SPRING WASHER	彈簧墊圈	M16	1.00	EA
9.00	NV 001042102A CONTACT BLOCK	接觸塊	D76Xd18XL170	1.00	EA
10.00	NV 000981306A RING, THR SPD COOLANT	拉環(中心給水)	D180Xd96XL216	1.00	EA
11.00	MS 0104020 SOCKET HEAD CAP SCREW	六角穴圓頭螺絲	M10xP1.5xL30	6.00	EA
12.00	MW 0184010 SPRING WASHER	彈簧墊圈	M10	6.00	EA
13.00	MS 0103418 SOCKET HEAD CAP SCREW	六角穴圓頭螺絲	M4xP0.7xL20	6.00	EA
14.00	NV 001066110A SEAT, THR SPD COOLANT	支撐座	D76Xd25XL39	1.00	EA
15.00	NV 000049205A LOCKNUT	鎖緊螺帽	[SHIANG KAIJM60X2	1.00	EA
16.00	MS 0104020 SOCKET HEAD CAP SCREW	六角穴圓頭螺絲	M10xP1.5xL30	6.00	EA
17.00	MS 0154224 HEX HD. FULL THD	六角頭螺絲	M12XP1.75XL50(FULL THD)	1.00	EA
18.00	MS 0294420 HEX HEAD CAP SCREW	六角頭螺絲	M14XP2.0XL30	4.00	EA
19.00	MW 0184410 SPRINGE WASHER	彈簧墊圈	M14	4.00	EA
20.00	MS 0104223 SOCKET HEAD CAP SCREW	六角穴圓頭螺絲	M12XP1.75XL45	4.00	EA

PRODUCT BOM MASTER AND SUB-ITEMS LIST

Item	Part NO.	Description	中文名稱	Specification	Qty	Unit
21.00	MW 0184210	SPRING WASHER	彈簧墊圈	M12	4.00	EA
22.00	NV 000199096A	PLATE	墊塊(M12 washer)	D28xd13xt6 (M12 washer)	4.00	EA
23.03	NVA000026401A	HEADSTOCK(D40)	主軸箱(D40)	L867xW521.5xH512	1.00	EA
24.00	NV 000317730A	PULLEY, MOTOR(15K-RPM)(Fanuc)	馬達皮帶輪(15K-RPM)(Fanuc)	D153xd48xL137.4	1.00	EA
25.00	NV 000981321A	RETAINER, MOTOR PULLEY(Fanuc)	馬達皮帶輪固定環(Fanuc)	D54XL10	1.00	EA
26.00	MS 0103520	SOCKET HEAD CAP SCREW	六角穴圓頭螺絲	M5xP0.8xL30	3.00	EA
27.00	MW 0183510	SPRING WASHER	彈簧墊圈	M5	3.00	EA
28.00	NV 00033460106	V-BELT	皮帶	13-5MS 900 (3+2+3+2+3)	1.00	ST
29.00	MS 0553614	SOC SET, CUP POINT	杯型端固定螺絲	M6XP1.0XL8	4.00	EA
30.00	MS 0553616	SOC SET, CUP SCREW	杯型端固定螺絲	M6XP1.0XL12	4.00	EA
31.00	MS 0553617	SOC SET, CUP SCREW	杯型端固定螺絲	M6XP1.0XL16	4.00	EA
32.00	NVA000199034A	PLATE	固定板	L45xW10xH5	2.00	EA
33.00	MS 0103419	SOCKET HEAD CAP SCREW	六角穴圓頭螺絲	M4xP0.7xL25	4.00	EA
34.00	MW 0183410	SPRING WASHER	彈簧墊圈	M4	4.00	EA
35.00	NV 001066104A	SEAT, MOTOR	馬達座	L302XW210XH20	1.00	EA
36.00	NV 000981304A	RING, THR SPD COOLANT	拉環(中心給水)	D180Xd80XL75	1.00	EA
37.01	NV 001042101A	ADAPTER, ROTATING UNIONS	旋轉接頭座	D63Xd12XL55	1.00	EA
38.00	NV 00094310120	O-RING, 1000psi	O型油環(1000psi使用)	[JIS] P12 (Hs90)	2.00	EA
39.00	NV 000981305A	RING, THR SPD COOLANT	拉環(中心給水)	D99Xd57.84xL26	1.00	EA
40.00	NVA001042100A	ADAPTER, THR SPD COOLANT	連結座	D42Xd12xD55	1.00	EA
41.00	NV 00094310117	O-RING	O型油環	[JIS] P36 (MADE IN JAPAN)	1.00	EA
42.00	NV 001042103A	ADAPTER, THR SPD COOLANT	接頭	D34.5Xd14XL56	1.00	EA
43.00	NV 000049206A	LOCKNUT	鎖緊螺帽	[SHIANG KAJIM]30X1.5	1.00	EA

PRODUCT BOM MASTER AND SUB-ITEMS LIST

Item	Part NO.	Description	中文名稱	Specification	Qty	Unit
44.00	NV 001010900A	PIPE, THR SPD COOLANT	水管接頭	D17Xd6.5XL90	1.00	EA
45.00	NV 00090810102	ROTARY COOLANT UNION(12000RPM)	切削水旋轉接頭(12000RPM)	DEUBLIN 1109-020-188	1.00	ST
46.00	NV 000199065A	BRACKET, COOLANT PIPE	接頭固定板	L170XW36XH55	1.00	EA
47.00	MS 0103515	SOCKET HEAD CAP SCREW	六角穴圓頭螺絲	M5xP0.8xL10	2.00	EA
48.00	MW 0183510	SPRING WASHER	彈簧墊圈	M5	2.00	EA
49.00	MS 0103418	SOCKET HEAD CAP SCREW	六角穴圓頭螺絲	M4xP0.7xL20	8.00	EA
53.00	MS 0103820	SOCKET HEAD CAP SCREW	六角穴圓頭螺絲	M8xP1.25xL30	4.00	EA
54.00	MW 0183810	SPRING WASHER	彈簧墊圈	M8	4.00	EA
55.00	MS 0104224	SOCKET HEAD CAP SCREW	六角穴圓頭螺絲	M12xP1.75xL50	1.00	EA
56.00	MN 0114210	HEXAGON NUT	六角螺帽	M12xP1.75	1.00	EA
57.00	NV 000499014A	SEAT	固定座	L160xW110xH45	2.00	EA
58.00	NV 000499015A	PLATE	板	L50xL50xH10	2.00	EA
59.00	MW 0103810	FLAT WASHER	平墊圈	M8 (d8*D22.2)	4.00	EA
63.00	MN 0114210	HEXAGON NUT	六角螺帽	M12xP1.75	1.00	EA



MODEL: VMC600/800/1000	PART NUMBER
PART NAME	NV 000000225AS
SPINDLE TRANSMISSIONSK-RPM,STEMMS,w/o Counter-balance	PAGE 1 OF 1
DATE 2002/7/15	REV. C
SCALE 1:1	

PRODUCT BOM MASTER AND SUB-ITEMS LIST

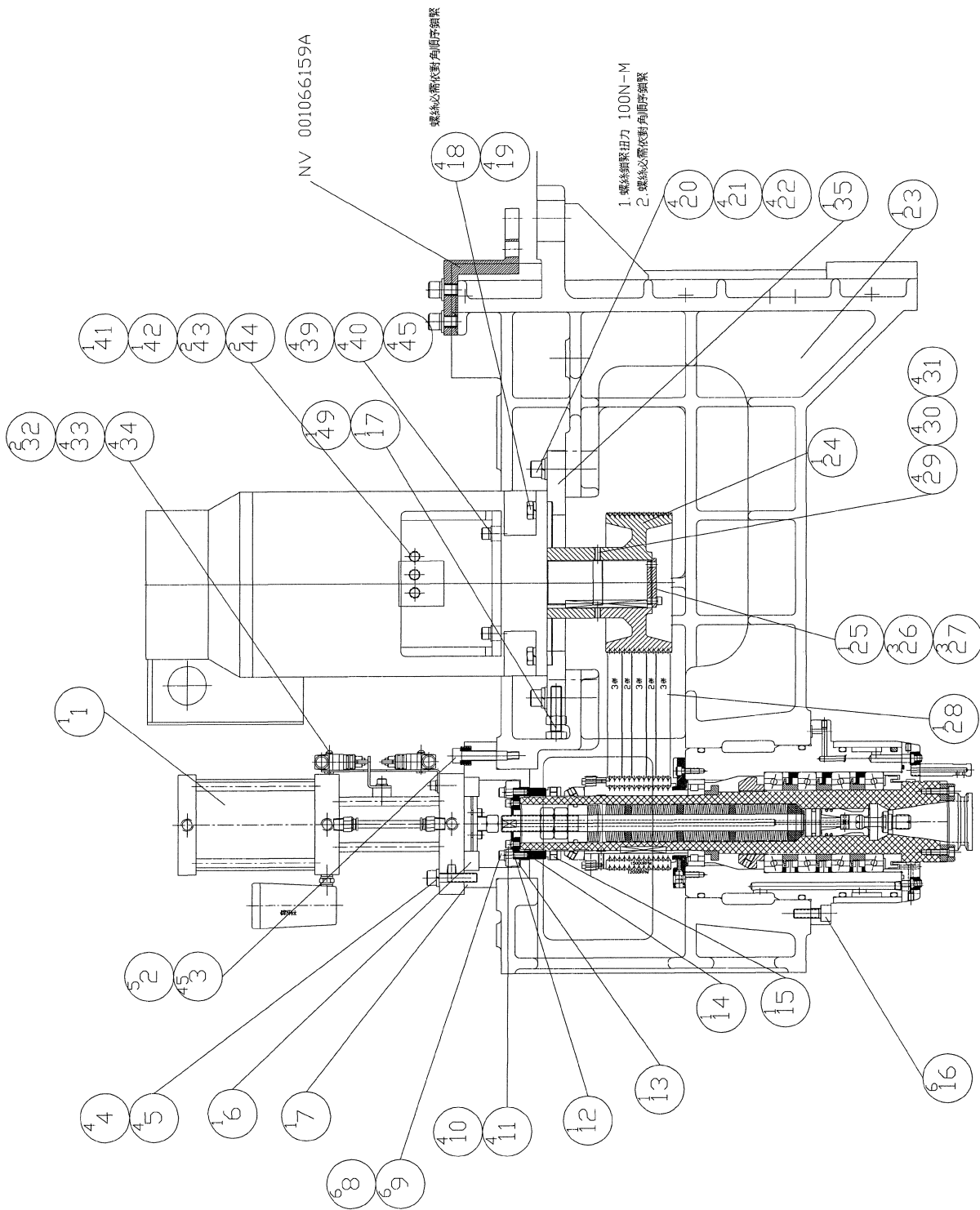
Master Item Part NO.: NV 000000225AS

Description: SPINDLE TRANSMISSION(15K-RPM,
主軸傳動(15K-RPM,無配重, SIEMENS)

Item Part NO.	Description	中文名稱	Specification	Qty	Unit
1.00	NV 000291700A BOOSTER CYLINDER	增壓缸	3TONSX13mm	1.00	ST
2.00	NV 000668400A BOLT, SPINDLE	螺栓[凸肩螺絲]	M10X50	5.00	EA
3.00	NV 000733501 DISK SPRING	碟型彈簧	D20Xd10.2xL1.35(H0.8)	45.00	EA
4.00	MS 0104023 SOCKET HEAD CAP SCREW	六角穴圓頭螺絲	M10xP1.5xL45	4.00	EA
5.00	MW 0184010 SPRING WASHER	彈簧墊圈	M10	4.00	EA
6.00	NV 000048102A BUSHING	襯套	D102Xd60xL17	1.00	ST
7.00	NV 000981300A RING	拉環	D180Xd80xL73	1.00	EA
8.00	MS 0103618 SOCKET HEAD CAP SCREW	六角穴圓頭螺絲	M6xP1.0xL20	6.00	EA
9.00	MW 0183610 SPRING WASHER	彈簧墊圈	M6	6.00	EA
10.00	MS 0103515 SOCKET HEAD CAP SCREW	六角穴圓頭螺絲	M5xP0.8xL10	4.00	EA
11.00	MW 0183510 SPRING WASHER	彈簧墊圈	M5	4.00	EA
12.00	NVA000199000A PLATE, SPINDLE	固定板	D55Xd14XL2.3	1.00	EA
13.00	NV 000981302A RING	拉環	D94Xd56XL15	1.00	EA
14.00	NV 000981301A RING	拉環	D78Xd30XL36	1.00	EA
15.00	NV 000049205A LOCKNUT	鎖緊螺帽	[SHIANG KAIJM60X2	1.00	EA
16.00	MS 0104020 SOCKET HEAD CAP SCREW	六角穴圓頭螺絲	M10xP1.5xL30	6.00	EA
17.00	MS 0154224 HEX HD. FULL THD	六角頭螺絲	M12XP1.75XL50(FULL THD)	1.00	EA
18.00	MS 0154221 HEX HD., FULL THD	六角頭螺絲	M12XP1.75XL35	4.00	EA
19.00	MW 0184210 SPRING WASHER	彈簧墊圈	M12	4.00	EA
20.00	MS 0104223 SOCKET HEAD CAP SCREW	六角穴圓頭螺絲	M12XP1.75XL45	4.00	EA

PRODUCT BOM MASTER AND SUB-ITEMS LIST

Item	Part NO.	Description	中文名稱	Specification	Qty	Unit
21.00	MW 0184210	SPRING WASHER	彈簧墊圈	M12	4.00	EA
22.00	NV 000199096A	PLATE	墊塊(M12 washer)	D28xd13xt6 (M12 washer)	4.00	EA
23.03	NVA000026401A	HEADSTOCK(D40)	主軸箱(D40)	L867xW521.5xH512	1.00	EA
24.01	NV 000317731A	PULLEY, MOTOR(15K-RPM)(Siemens)	馬達皮帶輪(15K-RPM)(Siemens)	D153xd38xL137.4	1.00	EA
25.00	NV 000981320A	RETAINER, MOTOR PULLEY(Siemens)	馬達皮帶輪固定環(Siemens)	D54XL24.5	1.00	EA
26.00	MS 0104226	SOCKET HEAD CAP SCREW	六角穴圓頭螺絲	M12xP1.75xL60	1.00	EA
27.00	MW 0184210	SPRING WASHER	彈簧墊圈	M12	1.00	EA
28.00	NV 00033460106	V-BELT	皮帶	13-5MS 900 (3+2+3+2+3)	1.00	ST
29.00	MS 0553614	SOC SET, CUP POINT	杯型端固定螺絲	M6XP1.0XL8	4.00	EA
30.00	MS 0553616	SOC SET, CUP SCREW	杯型端固定螺絲	M6XP1.0XL12	4.00	EA
31.00	MS 0553617	SOC SET, CUP SCREW	杯型端固定螺絲	M6XP1.0XL16	4.00	EA
32.00	NVA000199034A	PLATE	固定板	L45xW10xH5	2.00	EA
33.00	MS 0103419	SOCKET HEAD CAP SCREW	六角穴圓頭螺絲	M4xP0.7xL25	4.00	EA
34.00	MW 0183410	SPRING WASHER	彈簧墊圈	M4	4.00	EA
35.02	NV 001066136A	SEAT, MOTOR(SIEMENSE)	馬達座(西門子)	L302XW210XH20	1.00	EA
39.00	MS 0103820	SOCKET HEAD CAP SCREW	六角穴圓頭螺絲	M8xP1.25xL30	4.00	EA
40.00	MW 0183810	SPRING WASHER	彈簧墊圈	M8	4.00	EA
41.00	MS 0104224	SOCKET HEAD CAP SCREW	六角穴圓頭螺絲	M12xP1.75xL50	1.00	EA
42.00	MN 0114210	HEXAGON NUT	六角螺帽	M12xP1.75	1.00	EA
43.00	NV 000499014A	SEAT	固定座	L160xW110xH45	2.00	EA
44.00	NV 000499015A	PLATE	板	L50xL50xH10	2.00	EA
45.00	MW 0103810	FLAT WASHER	平墊圈	M8 (d8*D22.2)	4.00	EA
49.00	MN 0114210	HEXAGON NUT	六角螺帽	M12xP1.75	1.00	EA



此螺絲鎖緊之後需加螺絲固定劑
 螺絲固定劑番號: LOCTITE #243

MODEL: VMC600/800/1000	PART NUMBER
SPINDLE TRANSMISSION(15K-rpm,w/o Counter-balance)	NV 000000223AS
主軸傳動 15K-rpm, 無齒記重	PAGE 1 OF 1
DATE 2002/7/15	SCALE 1:1
	REV. C

PRODUCT BOM MASTER AND SUB-ITEMS LIST

Master Item Part NO.: NV 000000223AS

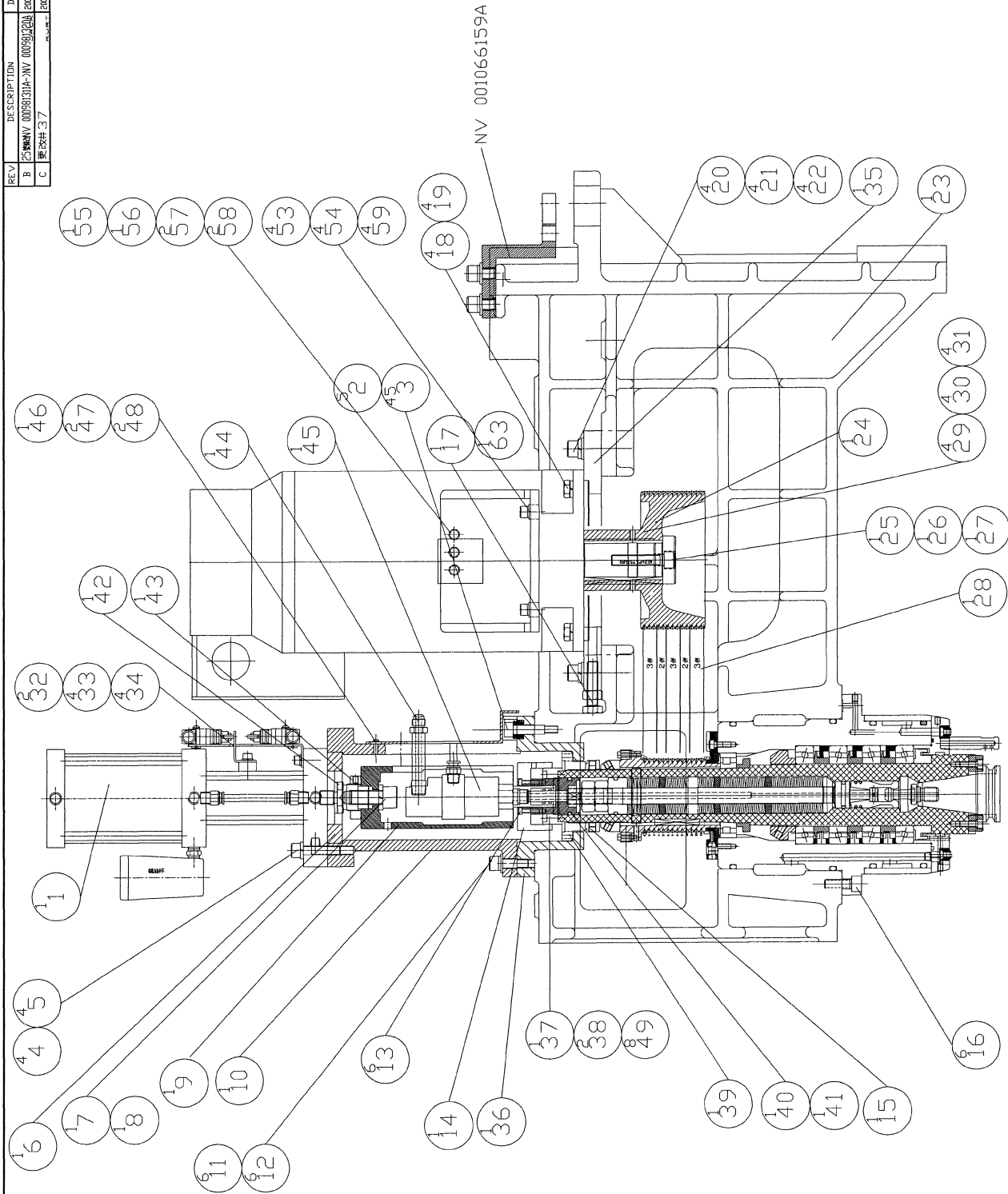
Description: SPINDLE TRANSMISSION(15K-RPM,
主軸傳動(15K-RPM,無配重)

Item Part NO.	Description	中文名稱	Specification	Qty	Unit
1.00 NV 000291700A	BOOSTER CYLINDER	增壓缸	3TONSX13mm	1.00	ST
2.00 NV 000668400A	BOLT, SPINDLE	螺栓[凸肩螺絲]	M10X50	5.00	EA
3.00 NV 000733501	DISK SPRING	碟型彈簧	D20Xd10.2xL1.35(H0.8)	45.00	EA
4.00 MS 0104023	SOCKET HEAD CAP SCREW	六角穴圓頭螺絲	M10xP1.5xL45	4.00	EA
5.00 MW 0184010	SPRING WASHER	彈簧墊圈	M10	4.00	EA
6.00 NV 000048102A	BUSHING	襯套	D102Xd60xL17	1.00	ST
7.00 NV 000981300A	RING	拉環	D180Xd80xL73	1.00	EA
8.00 MS 0103618	SOCKET HEAD CAP SCREW	六角穴圓頭螺絲	M6xP1.0xL20	6.00	EA
9.00 MW 0183610	SPRING WASHER	彈簧墊圈	M6	6.00	EA
10.00 MS 0103515	SOCKET HEAD CAP SCREW	六角穴圓頭螺絲	M5xP0.8xL10	4.00	EA
11.00 MW 0183510	SPRING WASHER	彈簧墊圈	M5	4.00	EA
12.00 NVA000199000A	PLATE, SPINDLE	固定板	D55Xd14XL2.3	1.00	EA
13.00 NV 000981302A	RING	拉環	D94Xd56XL15	1.00	EA
14.00 NV 000981301A	RING	拉環	D78Xd30XL36	1.00	EA
15.00 NV 000049205A	LOCKNUT	鎖緊螺帽	[SHIANG KAIJM60X2	1.00	EA
16.00 MS 0104020	SOCKET HEAD CAP SCREW	六角穴圓頭螺絲	M10xP1.5xL30	6.00	EA
17.00 MS 0154224	HEX HD. FULL THD	六角頭螺絲	M12XP1.75XL50(FULL THD)	1.00	EA
18.00 MS 0294420	HEX HEAD CAP SCREW	六角頭螺絲	M14XP2.0XL30	4.00	EA
19.00 MW 0184410	SPRINGE WASHER	彈簧墊圈	M14	4.00	EA
20.00 MS 0104223	SOCKET HEAD CAP SCREW	六角穴圓頭螺絲	M12XP1.75XL45	4.00	EA

PRODUCT BOM MASTER AND SUB-ITEMS LIST

Item	Part NO.	Description	中文名稱	Specification	Qty	Unit
21.00	MW 0184210	SPRING WASHER	彈簧墊圈	M12	4.00	EA
22.00	NV 000199096A	PLATE	墊塊(M12 washer)	D28xd13xt6 (M12 washer)	4.00	EA
23.03	NVA000026401A	HEADSTOCK(D40)	主軸箱(D40)	L867xW521.5xH512	1.00	EA
24.00	NV 000317730A	PULLEY, MOTOR(15K-RPM)(Fanuc)	馬達皮帶輪(15K-RPM)(Fanuc)	D153xd48xL137.4	1.00	EA
25.00	NV 000981321A	RETAINER, MOTOR PULLEY(Fanuc)	馬達皮帶輪固定環(Fanuc)	D54XL10	1.00	EA
26.00	MS 0103520	SOCKET HEAD CAP SCREW	六角穴圓頭螺絲	M5xP0.8xL30	3.00	EA
27.00	MW 0183510	SPRING WASHER	彈簧墊圈	M5	3.00	EA
28.00	NV 00033460106	V-BELT	皮帶	13-5MS 900 (3+2+3+2+3)	1.00	ST
29.00	MS 0553614	SOC SET, CUP POINT	杯型端固定螺絲	M6XP1.0XL8	4.00	EA
30.00	MS 0553616	SOC SET, CUP SCREW	杯型端固定螺絲	M6XP1.0XL12	4.00	EA
31.00	MS 0553617	SOC SET, CUP SCREW	杯型端固定螺絲	M6XP1.0XL16	4.00	EA
32.00	NVA000199034A	PLATE	固定板	L45xW10xH5	2.00	EA
33.00	MS 0103419	SOCKET HEAD CAP SCREW	六角穴圓頭螺絲	M4xP0.7xL25	4.00	EA
34.00	MW 0183410	SPRING WASHER	彈簧墊圈	M4	4.00	EA
35.01	NV 001066104A	SEAT, MOTOR	馬達座	L302XW210XH20	1.00	EA
39.00	MS 0103820	SOCKET HEAD CAP SCREW	六角穴圓頭螺絲	M8xP1.25xL30	4.00	EA
40.00	MW 0183810	SPRING WASHER	彈簧墊圈	M8	4.00	EA
41.00	MS 0104224	SOCKET HEAD CAP SCREW	六角穴圓頭螺絲	M12xP1.75xL50	1.00	EA
42.00	MIN 0114210	HEXAGON NUT	六角螺帽	M12xP1.75	1.00	EA
43.00	NV 000499014A	SEAT	固定座	L160xW110xH45	2.00	EA
44.00	NV 000499015A	PLATE	板	L50xL50xH10	2.00	EA
45.00	MW 0103810	FLAT WASHER	平墊圈	M8 (d8*D22.2)	4.00	EA
49.00	MIN 0114210	HEXAGON NUT	六角螺帽	M12xP1.75	1.00	EA

REV.	DESCRIPTION	DATE	ECN.
B	20020715 NV 001066159A NV 001066159A	2002/7/15	TINVO485
C	更改# 37	2006/9/26	202



MODEL: VMC600/800/1000	PART NUMBER
PART NAME	NV 000000226AS
SPINDLE TRANSMISSION(5K-RPM)CS.SIEMENS #10 Counter-balance	
主轴传动(15K-RPM, 中心轮水,SIEMENS, 平衡重)	
DATE 2002/7/15	SCALE 1:1
	REV. C

PRODUCT BOM MASTER AND SUB-ITEMS LIST

Master Item Part NO.: NV 000000226AS

Description: SPINDLE TRANSMISSION(15K-RPM,

主軸傳動(15K-RPM;無配重,中心給水, SIEMENS

Item Part NO.	Description	中文名稱	Specification	Qty	Unit
1.00 NV 000291700A	BOOSTER CYLINDER	增壓缸	3TONSX13mm	1.00	ST
2.00 NV 000668403A	BOLT, SPINDLE	螺栓[凸肩螺絲](中心給水)	M10X35	5.00	EA
3.00 NV 000733501	DISK SPRING	碟型彈簧	D20Xd10.2xL1.35(H0.8)	45.00	EA
4.00 MS 0104023	SOCKET HEAD CAP SCREW	六角穴圓頭螺絲	M10xP1.5xL45	4.00	EA
5.00 MW 0184010	SPRING WASHER	彈簧墊圈	M10	4.00	EA
6.00 NV 000048102A	BUSHING	襯套	D102Xd60xL17	1.00	ST
7.00 MS 0104620	SOCKET HEAD CAP SCREW	六角穴圓頭螺絲	M16xP2.0xL30	1.00	EA
8.00 MW 0184610	SPRING WASHER	彈簧墊圈	M16	1.00	EA
9.00 NV 001042102A	CONTACT BLOCK	接觸塊	D76Xd18XL170	1.00	EA
10.00 NV 000981306A	RING, THR SPD COOLANT	拉環(中心給水)	D180Xd96XL216	1.00	EA
11.00 MS 0104020	SOCKET HEAD CAP SCREW	六角穴圓頭螺絲	M10xP1.5xL30	6.00	EA
12.00 MW 0184010	SPRING WASHER	彈簧墊圈	M10	6.00	EA
13.00 MS 0103418	SOCKET HEAD CAP SCREW	六角穴圓頭螺絲	M4xP0.7xL20	6.00	EA
14.00 NV 001066110A	SEAT, THR SPD COOLANT	支撐座	D76Xd25XL39	1.00	EA
15.00 NV 000049205A	LOCKNUT	鎖緊螺帽	[SHIANG KAJJM60X2	1.00	EA
16.00 MS 0104020	SOCKET HEAD CAP SCREW	六角穴圓頭螺絲	M10xP1.5xL30	6.00	EA
17.00 MS 0154224	HEX HD. FULL THD	六角頭螺絲	M12XP1.75XL50(FULL THD)	1.00	EA
18.00 MS 0154221	HEX HD., FULL THD	六角頭螺絲	M12XP1.75XL35	4.00	EA
19.00 MW 0184210	SPRING WASHER	彈簧墊圈	M12	4.00	EA
20.00 MS 0104223	SOCKET HEAD CAP SCREW	六角穴圓頭螺絲	M12XP1.75XL45	4.00	EA

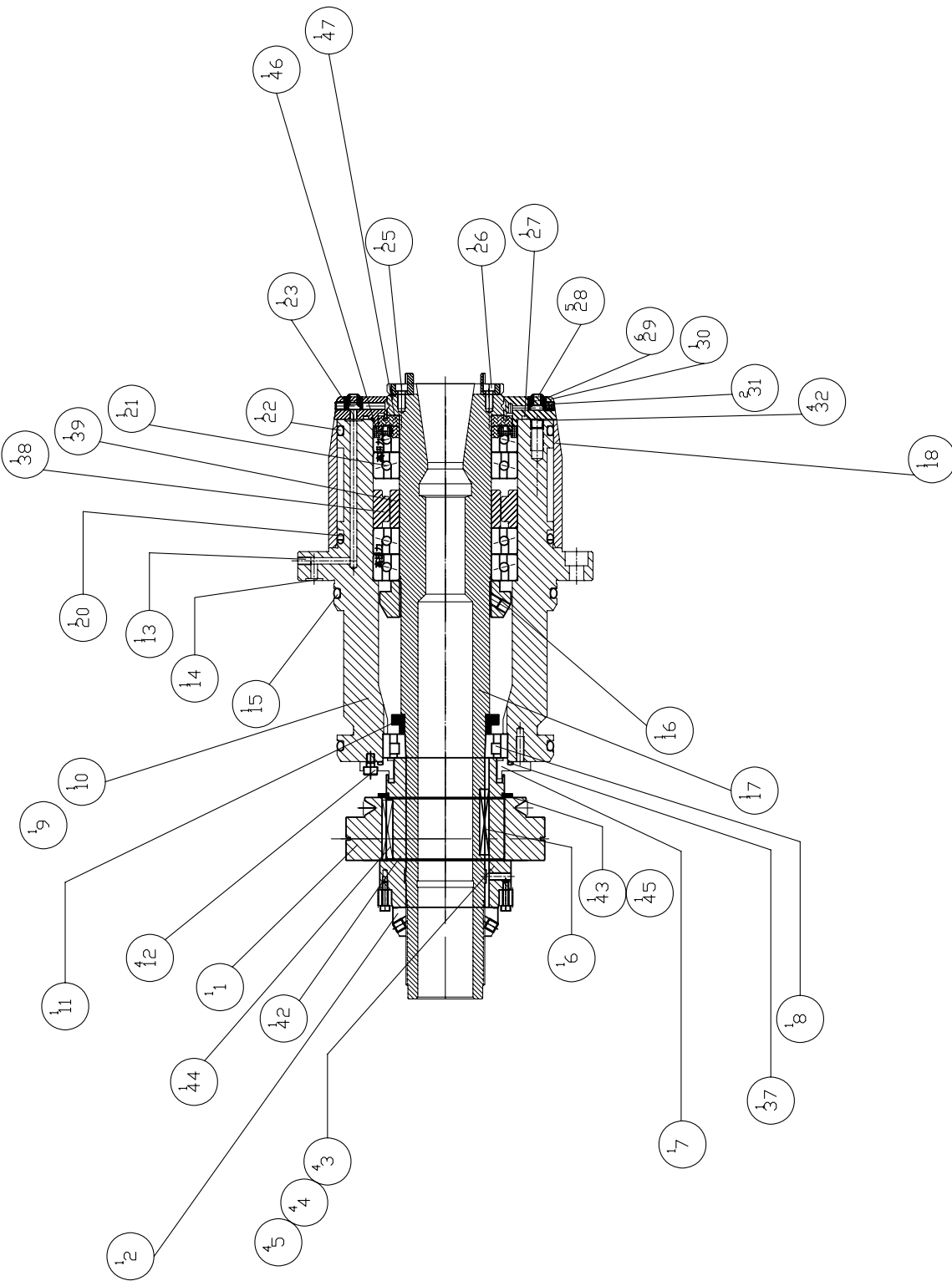
PRODUCT BOM MASTER AND SUB-ITEMS LIST

Item	Part NO.	Description	中文名稱	Specification	Qty	Unit
21.00	MW 0184210	SPRING WASHER	彈簧墊圈	M12	4.00	EA
22.00	NV 000199096A	PLATE	墊塊(M12 washer)	D28xd13xt6 (M12 washer)	4.00	EA
23.03	NVA000026401A	HEADSTOCK(D40)	主軸箱(D40)	L867xW521.5xH512	1.00	EA
24.01	NV 000317731A	PULLEY, MOTOR(15K-RPM)(Siemens)	馬達皮帶輪(15K-RPM)(Siemens)	D153xd38xL137.4	1.00	EA
25.00	NV 000981320A	RETAINER, MOTOR PULLEY(Siemens)	馬達皮帶輪固定環(Siemens)	D54XL24.5	1.00	EA
26.00	MS 0104226	SOCKET HEAD CAP SCREW	六角穴圓頭螺絲	M12xP1.75xL60	1.00	EA
27.00	MW 0184210	SPRING WASHER	彈簧墊圈	M12	1.00	EA
28.00	NV 00033460106	V-BELT	皮帶	13-5MS 900 (3+2+3+2+3)	1.00	ST
29.00	MS 0553614	SOC SET, CUP POINT	杯型端固定螺絲	M6XP1.0XL8	4.00	EA
30.00	MS 0553616	SOC SET, CUP SCREW	杯型端固定螺絲	M6XP1.0XL12	4.00	EA
31.00	MS 0553617	SOC SET, CUP SCREW	杯型端固定螺絲	M6XP1.0XL16	4.00	EA
32.00	NVA000199034A	PLATE	固定板	L45xW10xH5	2.00	EA
33.00	MS 0103419	SOCKET HEAD CAP SCREW	六角穴圓頭螺絲	M4xP0.7xL25	4.00	EA
34.00	MW 0183410	SPRING WASHER	彈簧墊圈	M4	4.00	EA
35.01	NV 001066136A	SEAT, MOTOR(SIEMENSE)	馬達座(西門子)	L302XW210XH20	1.00	EA
36.00	NV 000981304A	RING, THR SPD COOLANT	拉環(中心給水)	D180Xd80XL75	1.00	EA
37.01	NV 001042101A	ADAPTER, ROTATING UNIONS	旋轉接頭座	D63Xd12XL55	1.00	EA
38.00	NV 00094310120	O-RING, 1000psi	O型油環(1000psi使用)	[JIS] P12 (Hs90)	2.00	EA
39.00	NV 000981305A	RING, THR SPD COOLANT	拉環(中心給水)	D99Xd57.84xL26	1.00	EA
40.00	NVA001042100A	ADAPTER, THR SPD COOLANT	連結座	D42Xd12xD55	1.00	EA
41.00	NV 00094310117	O-RING	O型油環	[JIS] P36 (MADE IN JAPAN)	1.00	EA
42.00	NV 001042103A	ADAPTER, THR SPD COOLANT	接頭	D34.5Xd14XL56	1.00	EA
43.00	NV 000049206A	LOCKNUT	鎖緊螺帽	[SHIANG KAJJM30X1.5	1.00	EA

PRODUCT BOM MASTER AND SUB-ITEMS LIST

Item	Part NO.	Description	中文名稱	Specification	Qty	Unit
44.00	NV 001010900A	PIPE, THR SPD COOLANT	水管接頭	D17Xd6.5XL90	1.00	EA
45.00	NV 00090810102	ROTARY COOLANT UNION(12000RPM)	切削水旋轉接頭(12000RPM)	DEUBLIN 1109-020-188	1.00	ST
46.00	NV 000199065A	BRACKET, COOLANT PIPE	接頭固定板	L170XW36XH55	1.00	EA
47.00	MS 0103515	SOCKET HEAD CAP SCREW	六角穴圓頭螺絲	M5xP0.8xL10	2.00	EA
48.00	MW 0183510	SPRING WASHER	彈簧墊圈	M5	2.00	EA
49.00	MS 0103418	SOCKET HEAD CAP SCREW	六角穴圓頭螺絲	M4xP0.7xL20	8.00	EA
53.00	MS 0103820	SOCKET HEAD CAP SCREW	六角穴圓頭螺絲	M8xP1.25xL30	4.00	EA
54.00	MW 0183810	SPRING WASHER	彈簧墊圈	M8	4.00	EA
55.00	MS 0104224	SOCKET HEAD CAP SCREW	六角穴圓頭螺絲	M12xP1.75xL50	1.00	EA
56.00	MN 0114210	HEXGON NUT	六角螺帽	M12xP1.75	1.00	EA
57.00	NV 000499014A	SEAT	固定座	L160xW110xH45	2.00	EA
58.00	NV 000499015A	PLATE	板	L50xL50xH10	2.00	EA
59.00	MW 0103810	FLAT WASHER	平墊圈	M8 (d8*D22.2)	4.00	EA
63.00	MN 0114210	HEXGON NUT	六角螺帽	M12xP1.75	1.00	EA

REV	DESCRIPTION	DATE	ECN
A	機殼 圖紙 1/2 新機殼 4.4.7 2007/7/9	2007/7/9	4-4



MODEL: VMC600/800/1000/1250/1500	DATE: 2007/7/9	SCALE: 1:5
PART NAME: CARTRIDGE ASSM(HI-TORQUE)	DATE: 2007/7/9	SCALE: 1:5
PART NUMBER: NVC000015701AT	DATE: 2007/7/9	SCALE: 1:5
PAGE: 1 OF 1	DATE: 2007/7/9	SCALE: 1:5
REV: A	DATE: 2007/7/9	SCALE: 1:5

PRODUCT BOM MASTER AND SUB-ITEMS LIST

Master Item Part NO.: NVC000015701AT

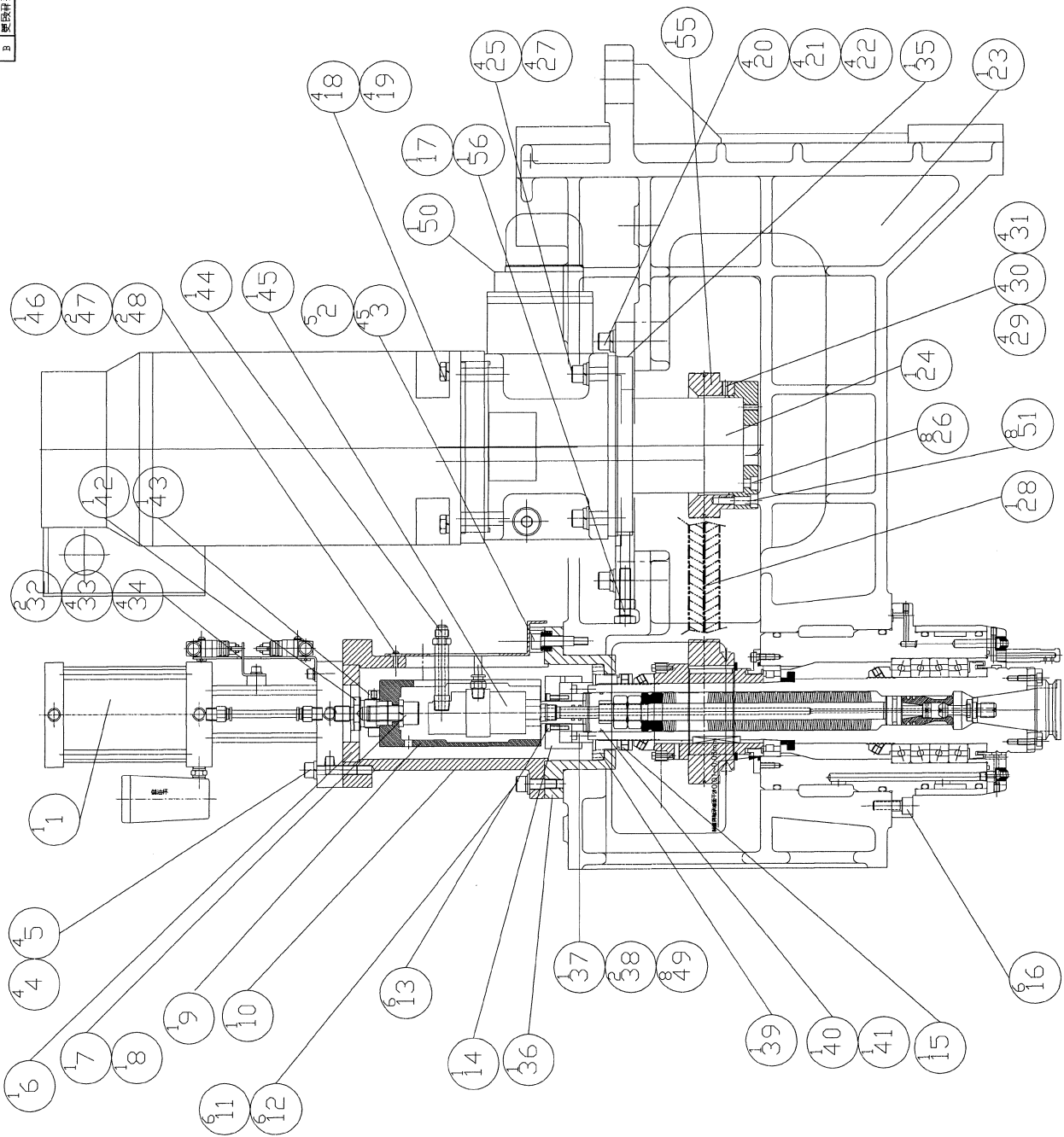
Description: CARTRIDGE(HI-TORQUE)
主軸套筒(HI-TORQUE)

Item	Part NO.	Description	中文名稱	Specification	Qty	Unit
1.00	NV 000317720A	EAGLE SPROCKET, SPINDLE(HI-TOR	主軸人字皮帶輪	D151.41xd90xL48	1.00	EA
2.00	NV 000049204A	LOCKNUT	鎖緊螺帽	[SHIANG KAJ]M60X2(GRINDING)	1.00	EA
3.00	MS 0553614	SOC SET, CUP POINT	杯型端固定螺絲	M6XP1.0XL8	4.00	EA
4.00	MS 0553616	SOC SET, CUP SCREW	杯型端固定螺絲	M6XP1.0XL12	4.00	EA
5.00	MS 0553617	SOC SET, CUP SCREW	杯型端固定螺絲	M6XP1.0XL16	4.00	EA
6.01	NV 00061150118	SUNK KEY	(雙圓頭鍵)平行鍵	L70XW8XH7(JIS-)	1.00	EA
7.00	NV 001011500A	COVER	軸蓋	D130Xd79xL15.5	1.00	EA
8.00	NV 00002660201	BEARING, SPINDLE	主軸滾筒軸承	NSK N1012BTKRCC1P5	1.00	EA
9.00	NV 00094310202	O-RING	O型油環	[JIS] G155	1.00	EA
11.00	NV 000179901A	SPACER, SPINDLE	後間隔圈	D82Xd61.5xL14.8	1.00	EA
12.00	MS 0103617	SOCKET HEAD CAP SCREW	六角穴圓頭螺絲	M6xP1.0XL16	4.00	EA
13.00	MS 0553614	SOC SET, CUP POINT	杯型端固定螺絲	M6XP1.0XL8	1.00	EA
14.00	NV 00094310102	O-RING	O型油環	[JIS] P10	1.00	EA
15.00	NV 00094310203	O-RING	O型油環	[JIS] G160	1.00	EA
16.00	NV 000049216A	LOCKNUT	鎖緊螺帽	[SHIANG KAJ]M70X2	1.00	EA
17.00	NVA000028306A	SPINDLE	主軸	D88.87Xd30XL469	1.00	EA
18.00	NVA000048115A	BUSHING	襯套	D178Xd165XL95	1.00	EA
20.00	NV 00094310202	O-RING	O型油環	[JIS] G155	1.00	EA
21.00	NV 00002660113	BEARING, HI-TORQUE SPINDLE	主軸斜角滾珠軸承(高扭力)	[FAG] HSS7014E.T.P4S.QU	1.00	ST
22.00	NV 00094310202	O-RING	O型油環	[JIS] G155	1.00	EA

PRODUCT BOM MASTER AND SUB-ITEMS LIST

Item	Part NO.	Description	中文名稱	Specification	Qty	Unit
23.00	NV 00094310102	O-RING	O型油環	[JIS] P10	1.00	EA
25.00	NV 000753311J	KEY, SPINDLE	鍵	L17XW16XH15.86	1.00	EA
26.00	NV 000753312J	KEY, SPINDLE	鍵	L14.3XW16XH15.86	1.00	EA
27.00	NV 00094310201	O-RING	O型油環	[JIS] G120	1.00	EA
28.00	NV 00070110101	NOZZLE, COOLANT	冷卻水噴嘴	NOZ. 14	5.00	EA
29.00	MS 0104019	SOCKET HEAD CAP SCREW	六角穴圓頭螺絲	M10xP1.5xL25	6.00	EA
30.01	NVB001011552A	COVER	前蓋	D169.4xd89.1xL22.2	1.00	EA
31.00	MS 0553614	SOC SET, CUP POINT	杯型端固定螺絲	M6XP1.0XL8	2.00	EA
32.00	NV 00077031701	PLUG, SOCKET HEX.	塞頭	PT1/8	4.00	EA
37.00	NV 00094310205	O-RING	O型油環	[JIS] G95	1.00	EA
38.01	NVB000179987A	EXTERNAL SPACER, SPINDLE	外間隔圈	D110xd85xL28	1.00	EA
39.01	NVB000179988A	INTERNAL SPACER, SPINDLE	內間隔圈	D84xd70xL27.9	1.00	EA
42.00	NV 000317721A	BUSHING, SPINDLE EAGLE SPROCKE	主軸齒帶輪襯套(高扭力)	D100xd60xL114	1.00	EA
43.00	NV 00082310204	RING, C-RETAINING	C型外扣環	S-90	1.00	EA
44.00	NV 00061150103	SUNK KEY	平行鍵(雙圓頭鍵)	L45xW12xH8	1.00	EA
45.00	MS 0103414	SOCKET HEAD CAP SCREW	六角穴圓頭螺絲	M4xP0.7xL8	1.00	EA
46.00	NV 000179995A	EXTERNAL SPACER, SPINDLE	外間隔圈	D110xd80.3xL10	1.00	EA
47.01	NV 000179994A	INTERNAL SPACER, SPINDLE	內間隔圈	D102.2Xd70XL18	1.00	EA

REV.	DESCRIPTION	DATE	ECN.
A	新機種取	2001/6/1	INV0274
B	設計修正	2006/9/26	202



MODEL: VMC600/800/1000	PART NUMBER
PART NAME	NV 00000203AT
SPINDLE TRANSMISSION(KHT,CTS)	PAGE 1 OF 1
主轴箱传动(高扭力,中心给水)	REV. B
DATE: 2001/6/1	SCALE: 1:1

PRODUCT BOM MASTER AND SUB-ITEMS LIST

Master Item Part NO.: NV 000000203AT

Description: SPINDLE TRANSMISSION(HT, CTS)

主軸傳動(HT, 中心給水)

Item Part NO.	Description	中文名稱	Specification	Qty	Unit
1.00 NV 000291704A	BOOSTER CYLINDER	增壓缸(高扭力使用)	4TONSX13mm	1.00	ST
2.00 NV 000668403A	BOLT, SPINDLE	螺栓[凸肩螺絲](中心給水)	M10X35	5.00	EA
3.00 NV 000733501	DISK SPRING	碟型彈簧	D20Xd10.2xL1.35(H0.8)	45.00	EA
4.00 MS 0104023	SOCKET HEAD CAP SCREW	六角穴圓頭螺絲	M10xP1.5xL45	4.00	EA
5.00 MW 0184010	SPRING WASHER	彈簧墊圈	M10	4.00	EA
6.00 NV 000048102A	BUSHING	襯套	D102Xd60xL17	1.00	ST
7.00 NV 000668416A	BOLT(CTS)	螺絲	M16xP2xL30	1.00	EA
8.00 MW 0184610	SPRING WASHER	彈簧墊圈	M16	1.00	EA
9.00 NV 001042102A	CONTACT BLOCK	接觸塊	D76Xd18XL170	1.00	EA
10.00 NV 000981306A	RING, THR SPD COOLANT	拉環(中心給水)	D180Xd96XL216	1.00	EA
11.00 MS 0104020	SOCKET HEAD CAP SCREW	六角穴圓頭螺絲	M10xP1.5xL30	6.00	EA
12.00 MW 0184010	SPRING WASHER	彈簧墊圈	M10	6.00	EA
13.00 MS 0103418	SOCKET HEAD CAP SCREW	六角穴圓頭螺絲	M4xP0.7xL20	6.00	EA
14.00 NV 001066110A	SEAT, THR SPD COOLANT	支撐座	D76Xd25XL39	1.00	EA
15.00 NV 000049205A	LOCKNUT	鎖緊螺帽	[SHIANG KAIJM60X2	1.00	EA
16.00 MS 0104020	SOCKET HEAD CAP SCREW	六角穴圓頭螺絲	M10xP1.5xL30	6.00	EA
17.00 MS 0154224	HEX HD. FULL THD	六角頭螺絲	M12XP1.75XL50(FULL THD)	1.00	EA
18.00 MS 0294420	HEX HEAD CAP SCREW	六角頭螺絲	M14XP2.0XL30	4.00	EA
19.00 MW 0184410	SPRINGE WASHER	彈簧墊圈	M14	4.00	EA
20.00 MS 0104224	SOCKET HEAD CAP SCREW	六角穴圓頭螺絲	M12xP1.75xL50	4.00	EA

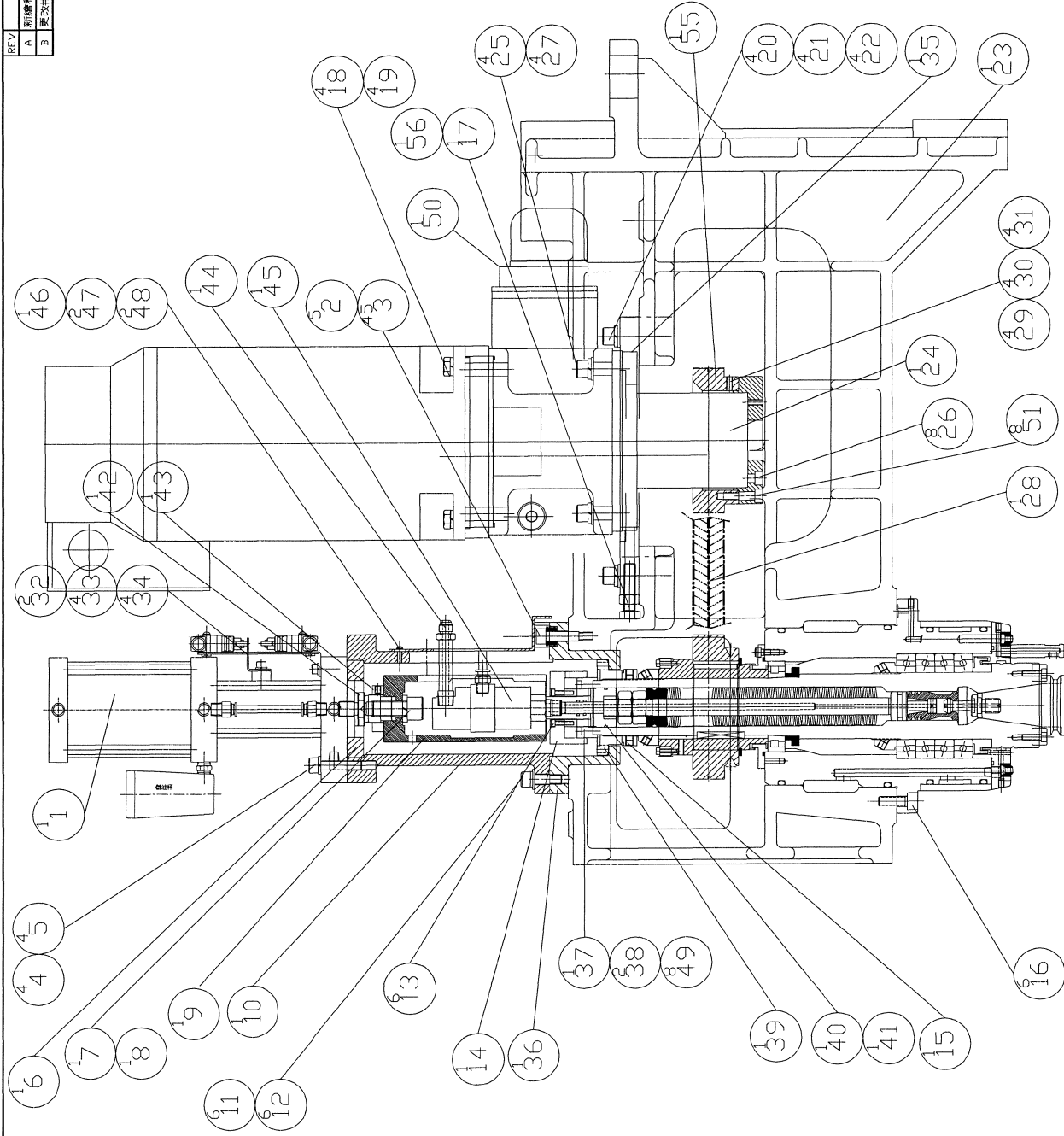
PRODUCT BOM MASTER AND SUB-ITEMS LIST

Item Part NO.	Description	中文名稱	Specification	Qty	Unit
21.00	MW 0184210	彈簧墊圈	M12	4.00	EA
22.00	NV 000199096A	墊塊(M12 washer)	D28xd13xt6 (M12 washer)	4.00	EA
23.03	NVA000026401A	主軸箱(D40)	L867xW521.5xH512	1.00	EA
24.00	NV 000317723A	馬達齒帶輪襯套(高扭力)	D134xd100xL30.6	1.00	EA
25.00	MS 0104224	六角穴圓頭螺絲	M12xP1.75xL50	4.00	EA
26.00	MS 0103818	六角穴圓頭螺絲	M8xP1.25xL20	8.00	EA
27.00	MW 0184210	彈簧墊圈	M12	4.00	EA
28.00	NV 00033460103	人字形皮帶	W-1000	1.00	ST
29.00	MS 0553614	杯型端固定螺絲	M6XP1.0XL8	4.00	EA
30.00	MS 0553616	杯型端固定螺絲	M6XP1.0XL12	4.00	EA
31.00	MS 0553617	杯型端固定螺絲	M6XP1.0XL16	4.00	EA
32.00	NVA000199034A	固定板	L45xW10xH5	2.00	EA
33.00	MS 0103419	六角穴圓頭螺絲	M4xP0.7xL25	4.00	EA
34.00	MW 0183410	彈簧墊圈	M4	4.00	EA
35.00	NV 001066116A	馬達座	L292XW210XH26.5	1.00	EA
36.00	NV 000981304A	拉環(中心給水)	D180Xd80XL75	1.00	EA
37.01	NV 001042101A	旋轉接頭座	D63Xd12XL55	1.00	EA
38.00	NV 00094310120	O型油環(1000psi)	[JIS] P12 (Hs90)	2.00	EA
39.00	NV 000981305A	拉環(中心給水)	D99Xd57.84xL26	1.00	EA
40.01	NVA001042100A	連結座	D42Xd12xD55	1.00	EA
41.00	NV 00094310117	O型油環	[JIS] P36 (MADE IN JAPAN)	1.00	EA
42.00	NV 001042103A	接頭	D34.5Xd14XL56	1.00	EA
43.00	NV 000049206A	鎖緊螺帽	[SHIANG KAJI]M30X1.5	1.00	EA

PRODUCT BOM MASTER AND SUB-ITEMS LIST

Item	Part NO.	Description	中文名稱	Specification	Qty	Unit
44.00	NV 001010900A	PIPE, THR SPD COOLANT	水管接頭	D17Xd6.5XL90	1.00	EA
45.00	NV 00090810102	ROTARY COOLANT UNION(12000RPM)	切削水旋轉接頭(12000RPM)	DEUBLIN 1109-020-188	1.00	ST
46.00	NV 000199065A	BRACKET, COOLANT PIPE	接頭固定板	L170XW36XH55	1.00	EA
47.00	MS 0103515	SOCKET HEAD CAP SCREW	六角穴圓頭螺絲	M5xP0.8xL10	2.00	EA
48.00	MW 0183510	SPRING WASHER	彈簧墊圈	M5	2.00	EA
49.00	MS 0103418	SOCKET HEAD CAP SCREW	六角穴圓頭螺絲	M4xP0.7xL20	8.00	EA
50.00	NV 000619900A	GEAR BOX ASSEMBLY,HEAD STOCK	變速箱(齊富)	(ZF) 4161-070-011—2K120(i1=1,i2	1.00	ST
51.00	MS 0103820	SOCKET HEAD CAP SCREW	六角穴圓頭螺絲	M8xP1.25xL30	8.00	EA
55.00	NV 000317722A	EAGLE SPROCKET, MOTOR	馬達人字皮帶輪(高扭力)	W60S-MPB	1.00	EA
56.00	MN 0114210	HEXGON NUT	六角螺帽	M12xP1.75	1.00	EA

REV.	DESCRIPTION	DATE	ECN.
A	新規格機殼	2001/6/1	1100275
B	更改件 37	2006/9/26	202



MODEL: VMC600/800/1000	PART NUMBER	REV. C
PART NAME	NV 00000213AT	PAGE 1 OF 1
SPINDLE TRANSMISSIONHT.CTS.SIEMENS)	主軸箱傳動 高扭力, 中心給水, SIEMENS)	SCALE 1:7
DATE 2001/6/4		

PRODUCT BOM MASTER AND SUB-ITEMS LIST

Master Item Part NO.: NV 000000213AT

Description: SPINDLE TRANSMISSION(HT,CTS,SI
主軸傳動(HT,CTS,SIEMENS))

Item Part NO.	Description	中文名稱	Specification	Qty	Unit
1.00 NV 000291704A	BOOSTER CYLINDER	增壓缸(高扭力使用)	4TONSX13mm	1.00	ST
2.00 NV 000668403A	BOLT, SPINDLE	螺栓[凸肩螺絲](中心給水)	M10X35	5.00	EA
3.00 NV 000733501	DISK SPRING	碟型彈簧	D20Xd10.2xL1.35(H0.8)	45.00	EA
4.00 MS 0104023	SOCKET HEAD CAP SCREW	六角穴圓頭螺絲	M10xP1.5xL45	4.00	EA
5.00 MW 0184010	SPRING WASHER	彈簧墊圈	M10	4.00	EA
6.00 NV 000048102A	BUSHING	襯套	D102Xd60xL17	1.00	ST
7.00 NV 000668416A	BOLT(CTS)	螺絲	M16xP2xL30	1.00	EA
8.00 MW 0184610	SPRING WASHER	彈簧墊圈	M16	1.00	EA
9.00 NV 001042102A	CONTACT BLOCK	接觸塊	D76Xd18XL170	1.00	EA
10.00 NV 000981306A	RING, THR SPD COOLANT	拉環(中心給水)	D180Xd96XL216	1.00	EA
11.00 MS 0104020	SOCKET HEAD CAP SCREW	六角穴圓頭螺絲	M10xP1.5xL30	6.00	EA
12.00 MW 0184010	SPRING WASHER	彈簧墊圈	M10	6.00	EA
13.00 MS 0103418	SOCKET HEAD CAP SCREW	六角穴圓頭螺絲	M4xP0.7xL20	6.00	EA
14.00 NV 001066110A	SEAT, THR SPD COOLANT	支撐座	D76Xd25XL39	1.00	EA
15.00 NV 000049205A	LOCKNUT	鎖緊螺帽	[SHIANG KAIJM60X2	1.00	EA
16.00 MS 0104020	SOCKET HEAD CAP SCREW	六角穴圓頭螺絲	M10xP1.5xL30	6.00	EA
17.00 MS 0154224	HEX HD. FULL THD	六角頭螺絲	M12XP1.75XL50(FULL THD)	1.00	EA
18.00 MS 0154221	HEX HD., FULL THD	六角頭螺絲	M12XP1.75XL35	4.00	EA
19.00 MW 0184210	SPRING WASHER	彈簧墊圈	M12	4.00	EA
20.00 MS 0104224	SOCKET HEAD CAP SCREW	六角穴圓頭螺絲	M12xP1.75xL50	4.00	EA

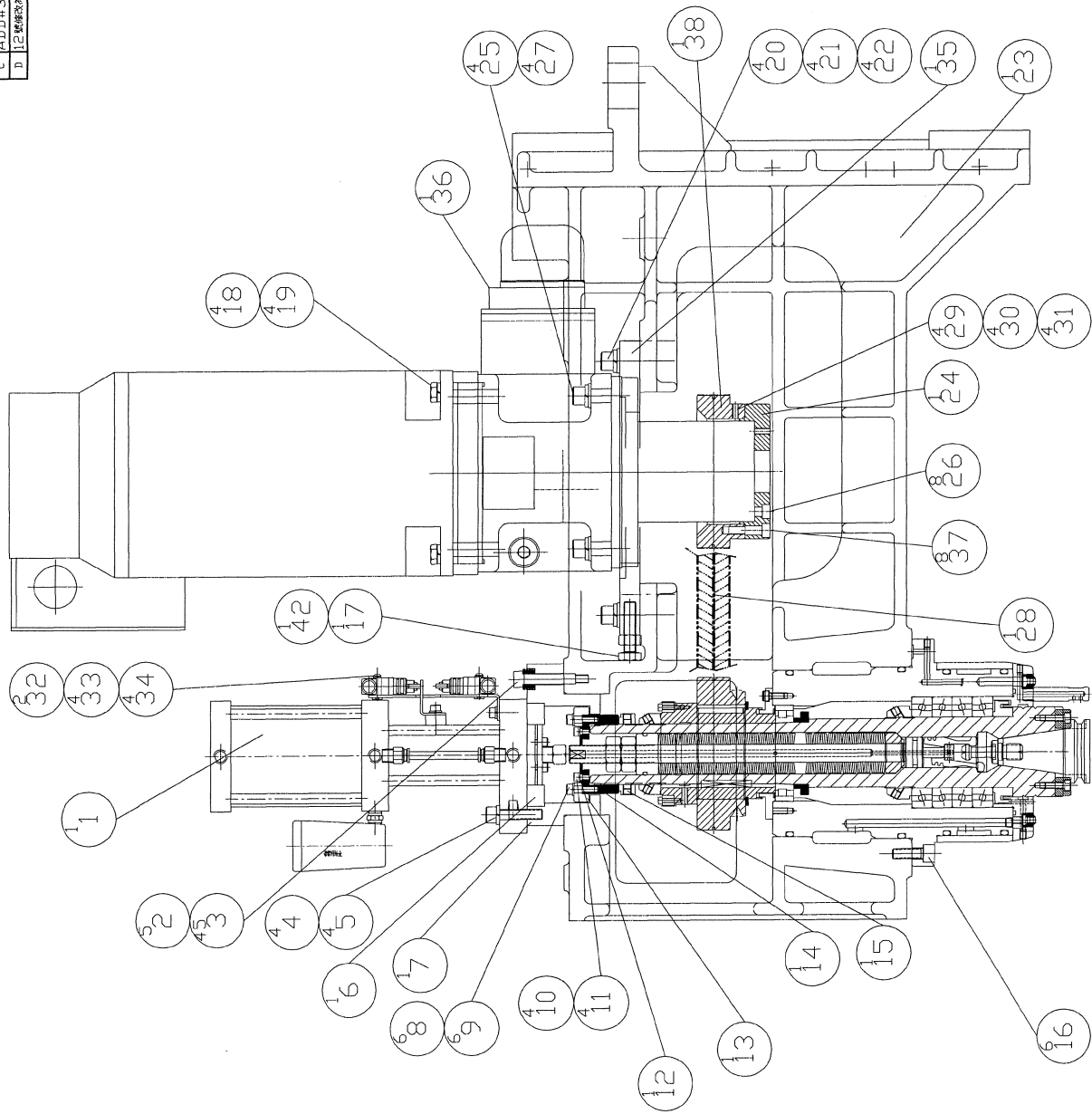
PRODUCT BOM MASTER AND SUB-ITEMS LIST

Item	Part NO.	Description	中文名稱	Specification	Qty	Unit
21.00	MW 0184210	SPRING WASHER	彈簧墊圈	M12	4.00	EA
22.00	NV 000199096A	PLATE	墊塊(M12 washer)	D28xd13xt6 (M12 washer)	4.00	EA
23.03	NVA000026401A	HEADSTOCK(D40)	主軸箱(D40)	L867xW521.5xH512	1.00	EA
24.00	NV 000317723A	BUSHING, MOTOR EAGLE SPROCKET	馬達齒帶輪襯套(高扭力)	D134xd100xL30.6	1.00	EA
25.00	MS 0104224	SOCKET HEAD CAP SCREW	六角穴圓頭螺絲	M12xP1.75xL50	4.00	EA
26.00	MS 0103818	SOCKET HEAD CAP SCREW	六角穴圓頭螺絲	M8xP1.25xL20	8.00	EA
27.00	MW 0184210	SPRING WASHER	彈簧墊圈	M12	4.00	EA
28.00	NV 00033460103	EAGLE-BELT	人字形皮帶	W-1000	1.00	ST
29.00	MS 0553614	SOC SET, CUP POINT	杯型端固定螺絲	M6XP1.0XL8	4.00	EA
30.00	MS 0553616	SOC SET, CUP SCREW	杯型端固定螺絲	M6XP1.0XL12	4.00	EA
31.00	MS 0553617	SOC SET, CUP SCREW	杯型端固定螺絲	M6XP1.0XL16	4.00	EA
32.00	NVA000199034A	PLATE	固定板	L45xW10xH5	2.00	EA
33.00	MS 0103419	SOCKET HEAD CAP SCREW	六角穴圓頭螺絲	M4xP0.7xL25	4.00	EA
34.00	MW 0183410	SPRING WASHER	彈簧墊圈	M4	4.00	EA
35.00	NV 001066116A	SEAT, MOTOR	馬達座	L292XW210XH26.5	1.00	EA
36.00	NV 000981304A	RING, THR SPD COOLANT	拉環(中心給水)	D180Xd80XL75	1.00	EA
37.01	NV 001042101A	ADAPTER, ROTATING UNIONS	旋轉接頭座	D63Xd12XL55	1.00	EA
38.00	NV 00094310120	O-RING, 1000psi	O型油環(1000psi使用)	[JIS] P12 (Hs90)	2.00	EA
39.00	NV 000981305A	RING, THR SPD COOLANT	拉環(中心給水)	D99Xd57.84xL26	1.00	EA
40.00	NVA001042100A	ADAPTER, THR SPD COOLANT	連結座	D42Xd12xD55	1.00	EA
41.00	NV 00094310117	O-RING	O型油環	[JIS] P36 (MADE IN JAPAN)	1.00	EA
42.00	NV 001042103A	ADAPTER, THR SPD COOLANT	接頭	D34.5Xd14XL56	1.00	EA
43.00	NV 000049206A	LOCKNUT	鎖緊螺帽	[SHIANG KAI]M30X1.5	1.00	EA

PRODUCT BOM MASTER AND SUB-ITEMS LIST

Item Part NO.	Description	中文名稱	Specification	Qty	Unit
44.00 NV 001010900A	PIPE, THR SPD COOLANT	水管接頭	D17Xd6.5XL90	1.00	EA
45.00 NV 00090810102	ROTARY COOLANT UNION(12000RPM)	切削水旋轉接頭(12000RPM)	DEUBLIN 1109-020-188	1.00	ST
46.00 NV 000199065A	BRACKET, COOLANT PIPE	接頭固定板	L170XW36XH55	1.00	EA
47.00 MS 0103515	SOCKET HEAD CAP SCREW	六角穴圓頭螺絲	M5xP0.8xL10	2.00	EA
48.00 MW 0183510	SPRING WASHER	彈簧墊圈	M5	2.00	EA
49.00 MS 0103418	SOCKET HEAD CAP SCREW	六角穴圓頭螺絲	M4xP0.7xL20	8.00	EA
50.00 NV 000619904A	GEAR BOX ASSEMBLY,HEAD STOCK	變速箱(齊富),配西門子馬達	(ZF) 4161-070-005,TYPE2K-120,FI	1.00	ST
51.00 MS 0103820	SOCKET HEAD CAP SCREW	六角穴圓頭螺絲	M8xP1.25xL30	8.00	EA
55.00 NV 000317722A	EAGLE SPROCKET, MOTOR	馬達人字皮帶輪(高扭力)	W60S-MPB	1.00	EA
56.00 MN 0114210	HEXGON NUT	六角螺帽	M12xP1.75	1.00	EA

REV.	DESCRIPTION	DATE	EDN.
B	32號機NV/A00019034A	2001/5/15	TNV01666
C	A/D H 39 # 40 # 41	2001/6/5	TNV0276
D	12號機NV/A00019000A	2002/2/15	TNV047



MODEL: VMC600/800/1000	PART NUMBER: NV 000000201AT
PART NAME: SPINDLE TRANSMISSION(HI-TORQUE)	PAGE 1 OF 1
主軸箱傳動(HI-TORQUE)	REV. D
DATE: 2001/5/31	SCALE: 1:1

PRODUCT BOM MASTER AND SUB-ITEMS LIST

Master Item Part NO.: NV 000000201AT

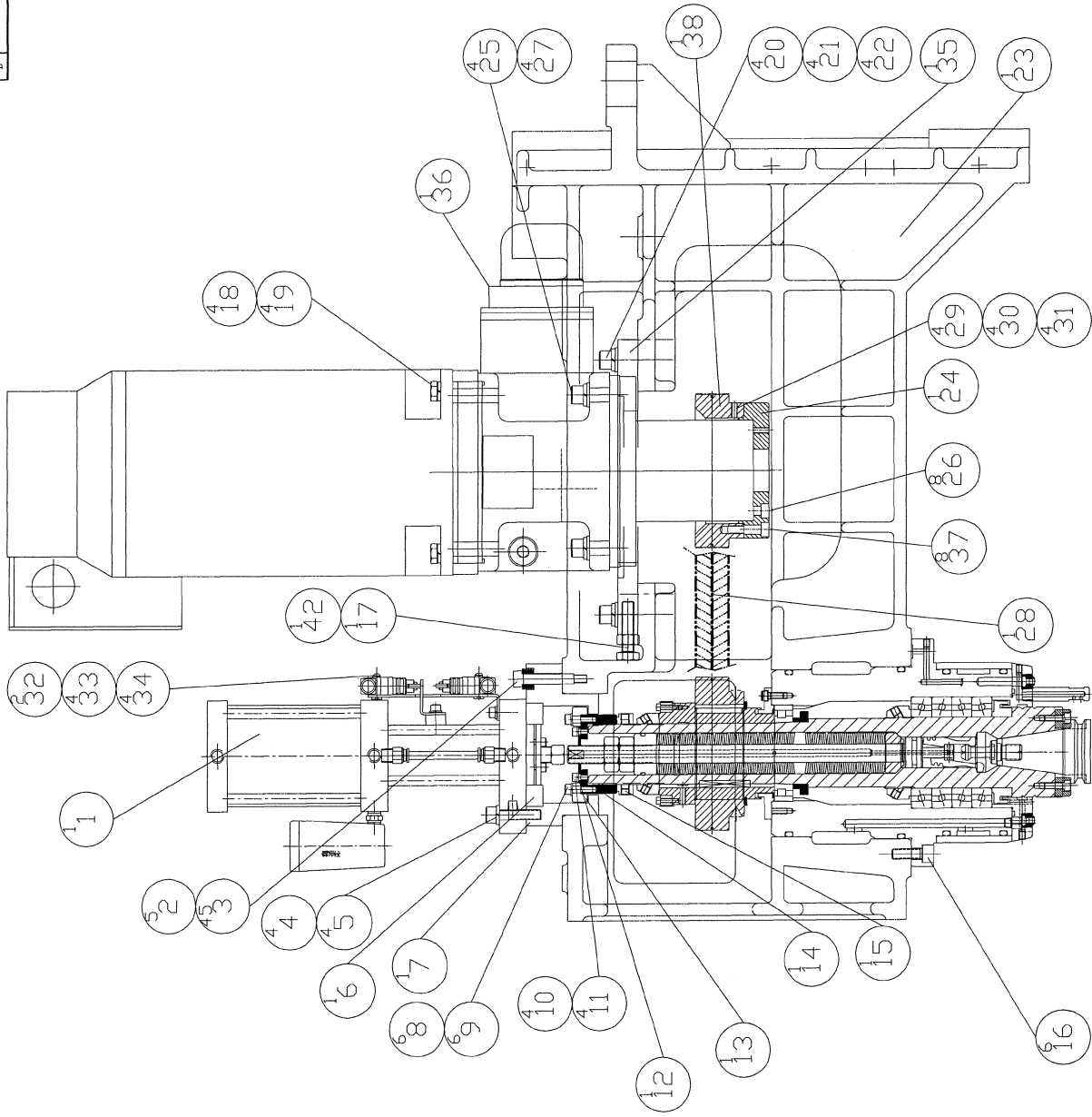
Description: SPINDLE TRANSMISSION(HI-TORQUE)
主軸傳動(HI-TORQUE)

Item Part NO.	Description	中文名稱	Specification	Qty	Unit
1.00	NV 000291704A BOOSTER CYLINDER	增壓缸(高扭力使用)	4TONSX13mm	1.00	ST
2.00	NV 000668400A BOLT, SPINDLE	螺栓[凸肩螺絲]	M10X50	5.00	EA
3.00	NV 000733501 DISK SPRING	碟型彈簧	D20Xd10.2xL1.35(H0.8)	45.00	EA
4.00	MS 0104023 SOCKET HEAD CAP SCREW	六角穴圓頭螺絲	M10xP1.5xL45	4.00	EA
5.00	MW 0184010 SPRING WASHER	彈簧墊圈	M10	4.00	EA
6.00	NV 000048102A BUSHING	襯套	D102Xd60xL17	1.00	ST
7.00	NV 000981300A RING	拉環	D180Xd80xL73	1.00	EA
8.00	MS 0103618 SOCKET HEAD CAP SCREW	六角穴圓頭螺絲	M6xP1.0xL20	6.00	EA
9.00	MW 0183610 SPRING WASHER	彈簧墊圈	M6	6.00	EA
10.00	MS 0103515 SOCKET HEAD CAP SCREW	六角穴圓頭螺絲	M5xP0.8xL10	4.00	EA
11.00	MW 0183510 SPRING WASHER	彈簧墊圈	M5	4.00	EA
12.00	NVA000199000A PLATE, SPINDLE	固定板	D55Xd14XL2.3	1.00	EA
13.00	NV 000981302A RING	拉環	D94Xd56XL15	1.00	EA
14.00	NV 000981301A RING	拉環	D78Xd30XL36	1.00	EA
15.00	NV 000049205A LOCKNUT	鎖緊螺帽	[SHIANG KAIJM60X2	1.00	EA
16.00	MS 0104020 SOCKET HEAD CAP SCREW	六角穴圓頭螺絲	M10xP1.5xL30	6.00	EA
17.00	MS 0154228 HEX HD. FULL THD	六角頭螺絲	M12XP1.75XL70(FULL THD)	1.00	EA
18.00	MS 0294420 HEX HEAD CAP SCREW	六角頭螺絲	M14XP2.0XL30	4.00	EA
19.00	MW 0184410 SPRINGE WASHER	彈簧墊圈	M14	4.00	EA
20.00	MS 0104224 SOCKET HEAD CAP SCREW	六角穴圓頭螺絲	M12xP1.75xL50	4.00	EA

PRODUCT BOM MASTER AND SUB-ITEMS LIST

Item	Part NO.	Description	中文名稱	Specification	Qty	Unit
21.00	MW 0184210	SPRING WASHER	彈簧墊圈	M12	4.00	EA
22.00	NV 000199096A	PLATE	墊塊(M12 washer)	D28xd13xt6 (M12 washer)	4.00	EA
23.03	NVA000026401A	HEADSTOCK(D40)	主軸箱(D40)	L867xW521.5xH512	1.00	EA
24.00	NV 000317723A	BUSHING, MOTOR EAGLE SPROCKET	馬達齒帶輪襯套(高扭力)	D134xd100xL30.6	1.00	EA
25.00	MS 0104224	SOCKET HEAD CAP SCREW	六角穴圓頭螺絲	M12xP1.75xL50	4.00	EA
26.00	MS 0103818	SOCKET HEAD CAP SCREW	六角穴圓頭螺絲	M8xP1.25xL20	8.00	EA
27.00	MW 0184210	SPRING WASHER	彈簧墊圈	M12	4.00	EA
28.00	NV 00033460103	EAGLE-BELT	人字形皮帶	W-1000	1.00	ST
29.00	MS 0553614	SOC SET, CUP POINT	杯型端固定螺絲	M6XP1.0XL8	4.00	EA
30.00	MS 0553616	SOC SET, CUP SCREW	杯型端固定螺絲	M6XP1.0XL12	4.00	EA
31.00	MS 0553617	SOC SET, CUP SCREW	杯型端固定螺絲	M6XP1.0XL16	4.00	EA
32.00	NVA000199034A	PLATE	固定板	L45xW10xH5	2.00	EA
33.00	MS 0103419	SOCKET HEAD CAP SCREW	六角穴圓頭螺絲	M4xP0.7xL25	4.00	EA
34.00	MW 0183410	SPRING WASHER	彈簧墊圈	M4	4.00	EA
35.00	NV 001066116A	SEAT, MOTOR	馬達座	L292XW210XH26.5	1.00	EA
36.00	NV 000619900A	GEAR BOX ASSEMBLY,HEAD STOCK	變速箱(齊富)	(ZF) 4161-070-011—2K120(i1=1,i2	1.00	ST
37.00	MS 0103820	SOCKET HEAD CAP SCREW	六角穴圓頭螺絲	M8xP1.25xL30	8.00	EA
38.00	NV 000317722A	EAGLE SPROCKET, MOTOR	馬達人字皮帶輪(高扭力)	W60S-MPB	1.00	EA
42.00	MN 0114210	HEXAGON NUT	六角螺帽	M12xP1.75	1.00	EA

REV.	DESCRIPTION	DATE	EDN.
A		2001/6/5	INV0275
B		2001/6/5	INV0475



MODEL: VMC600/800/1000	PART NUMBER
PART NAME	NV 000000211AT
SPINDLE TRANSMISSION(HT,SIEMENS)	PAGE 1 OF 1
DATE: 2001/6/5	REV. B
SCALE: 1:7	

PRODUCT BOM MASTER AND SUB-ITEMS LIST

Master Item Part NO.: NV 00000211AT

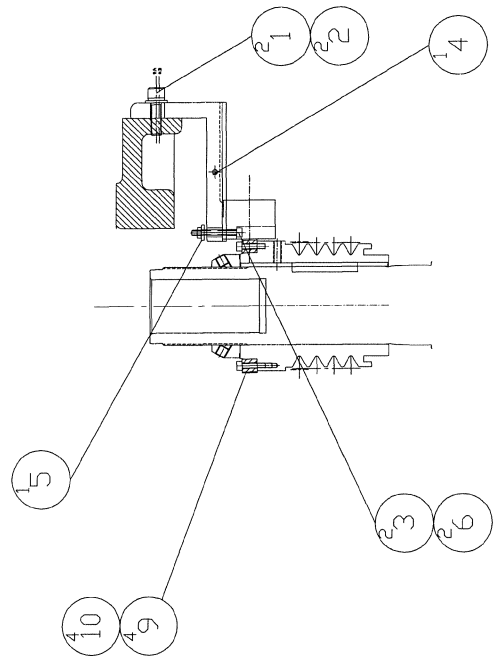
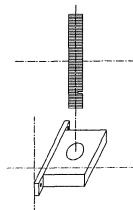
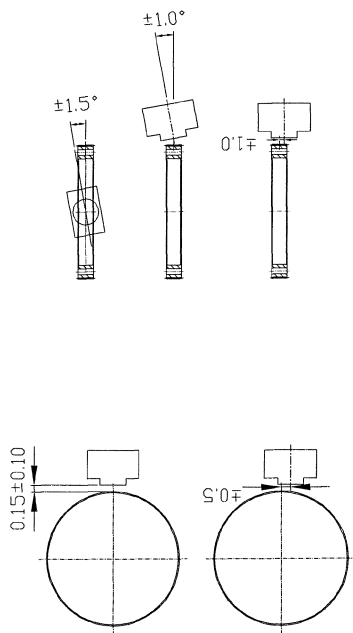
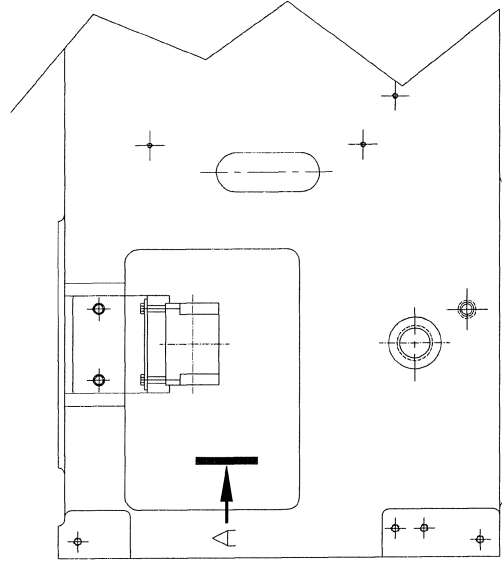
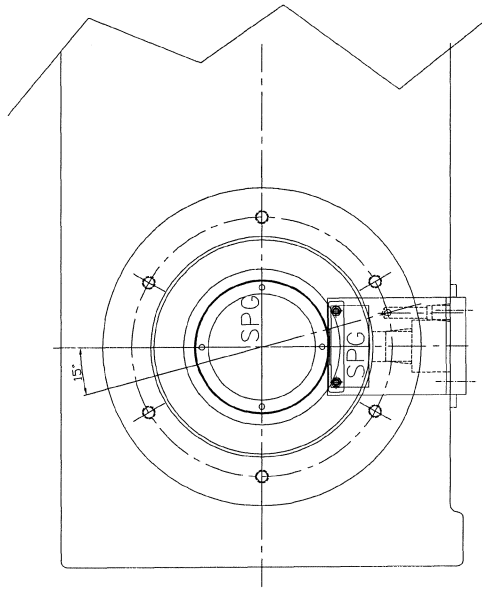
Description: SPINDLE TRANSMISSION(HT,SIEMEN
主軸傳動(HT,SIEMENS))

Item	Part NO.	Description	中文名稱	Specification	Qty	Unit
1.00	NV 000291704A	BOOSTER CYLINDER	增壓缸(高扭力使用)	4TONSX13mm	1.00	ST
2.00	NV 000668400A	BOLT, SPINDLE	螺栓[凸肩螺絲]	M10X50	5.00	EA
3.00	NV 000733501	DISK SPRING	碟型彈簧	D20Xd10.2xL1.35(H0.8)	45.00	EA
4.00	MS 0104023	SOCKET HEAD CAP SCREW	六角穴圓頭螺絲	M10xP1.5xL45	4.00	EA
5.00	MW 0184010	SPRING WASHER	彈簧墊圈	M10	4.00	EA
6.00	NV 000048102A	BUSHING	襯套	D102Xd60xL17	1.00	ST
7.00	NV 000981300A	RING	拉環	D180Xd80xL73	1.00	EA
8.00	MS 0103618	SOCKET HEAD CAP SCREW	六角穴圓頭螺絲	M6xP1.0xL20	6.00	EA
9.00	MW 0183610	SPRING WASHER	彈簧墊圈	M6	6.00	EA
10.00	MS 0103515	SOCKET HEAD CAP SCREW	六角穴圓頭螺絲	M5xP0.8xL10	4.00	EA
11.00	MW 0183510	SPRING WASHER	彈簧墊圈	M5	4.00	EA
12.00	NVA000199000A	PLATE, SPINDLE	固定板	D55Xd14XL2.3	1.00	EA
13.00	NV 000981302A	RING	拉環	D94Xd56XL15	1.00	EA
14.00	NV 000981301A	RING	拉環	D78Xd30XL36	1.00	EA
15.00	NV 000049205A	LOCKNUT	鎖緊螺帽	[SHIANG KAIJM60X2	1.00	EA
16.00	MS 0104020	SOCKET HEAD CAP SCREW	六角穴圓頭螺絲	M10xP1.5xL30	6.00	EA
17.00	MS 0154228	HEX HD. FULL THD	六角頭螺絲	M12XP1.75XL70(FULL THD)	1.00	EA
18.00	MS 0154221	HEX HD., FULL THD	六角頭螺絲	M12XP1.75XL35	4.00	EA
19.00	MW 0184210	SPRING WASHER	彈簧墊圈	M12	4.00	EA
20.00	MS 0104224	SOCKET HEAD CAP SCREW	六角穴圓頭螺絲	M12xP1.75xL50	4.00	EA

PRODUCT BOM MASTER AND SUB-ITEMS LIST

Item	Part NO.	Description	中文名稱	Specification	Qty	Unit
21.00	MW 0184210	SPRING WASHER	彈簧墊圈	M12	4.00	EA
22.00	NV 000199096A	PLATE	墊塊(M12 washer)	D28xd13xt6 (M12 washer)	4.00	EA
23.03	NVA000026401A	HEADSTOCK(D40)	主軸箱(D40)	L867xW521.5xH512	1.00	EA
24.00	NV 000317723A	BUSHING, MOTOR EAGLE SPROCKET	馬達齒帶輪襯套(高扭力)	D134xd100xL30.6	1.00	EA
25.00	MS 0104224	SOCKET HEAD CAP SCREW	六角穴圓頭螺絲	M12xP1.75xL50	4.00	EA
26.00	MS 0103818	SOCKET HEAD CAP SCREW	六角穴圓頭螺絲	M8xP1.25xL20	8.00	EA
27.00	MW 0184210	SPRING WASHER	彈簧墊圈	M12	4.00	EA
28.00	NV 00033460103	EAGLE-BELT	人字形皮帶	W-1000	1.00	ST
29.00	MS 0553614	SOC SET, CUP POINT	杯型端固定螺絲	M6XP1.0XL8	4.00	EA
30.00	MS 0553616	SOC SET, CUP SCREW	杯型端固定螺絲	M6XP1.0XL12	4.00	EA
31.00	MS 0553617	SOC SET, CUP SCREW	杯型端固定螺絲	M6XP1.0XL16	4.00	EA
32.00	NVA000199034A	PLATE	固定板	L45xW10xH5	2.00	EA
33.00	MS 0103419	SOCKET HEAD CAP SCREW	六角穴圓頭螺絲	M4xP0.7xL25	4.00	EA
34.00	MW 0183410	SPRING WASHER	彈簧墊圈	M4	4.00	EA
35.00	NV 001066116A	SEAT, MOTOR	馬達座	L292XW210XH26.5	1.00	EA
36.00	NV 000619904A	GEAR BOX ASSEMBLY, HEAD STOCK	變速箱(齊富),配西門子馬達	(ZF) 4161-070-005,TYPE2K-120,FI	1.00	ST
37.00	MS 0103820	SOCKET HEAD CAP SCREW	六角穴圓頭螺絲	M8xP1.25xL30	8.00	EA
38.00	NV 000317722A	EAGLE SPROCKET, MOTOR	馬達人字皮帶輪(高扭力)	W60S-MPB	1.00	EA
42.00	MN 0114210	HEXAGON NUT	六角螺帽	M12xP1.75	1.00	EA

REV	DESCRIPTION	DATE	ECN
B	增加 Z50/1500II 機電系統	2003/4/18	TW0586



A-VIEW

MODEL: VMC600/800/1000/1250/1500

PART NAME

SPINDLE ORIENTATION

三丰机床

DATE: 1995/5/11

SCALE: 1:6

REV: B

PAGE: 1 OF 1

PART NUMBER: NV 001178001A

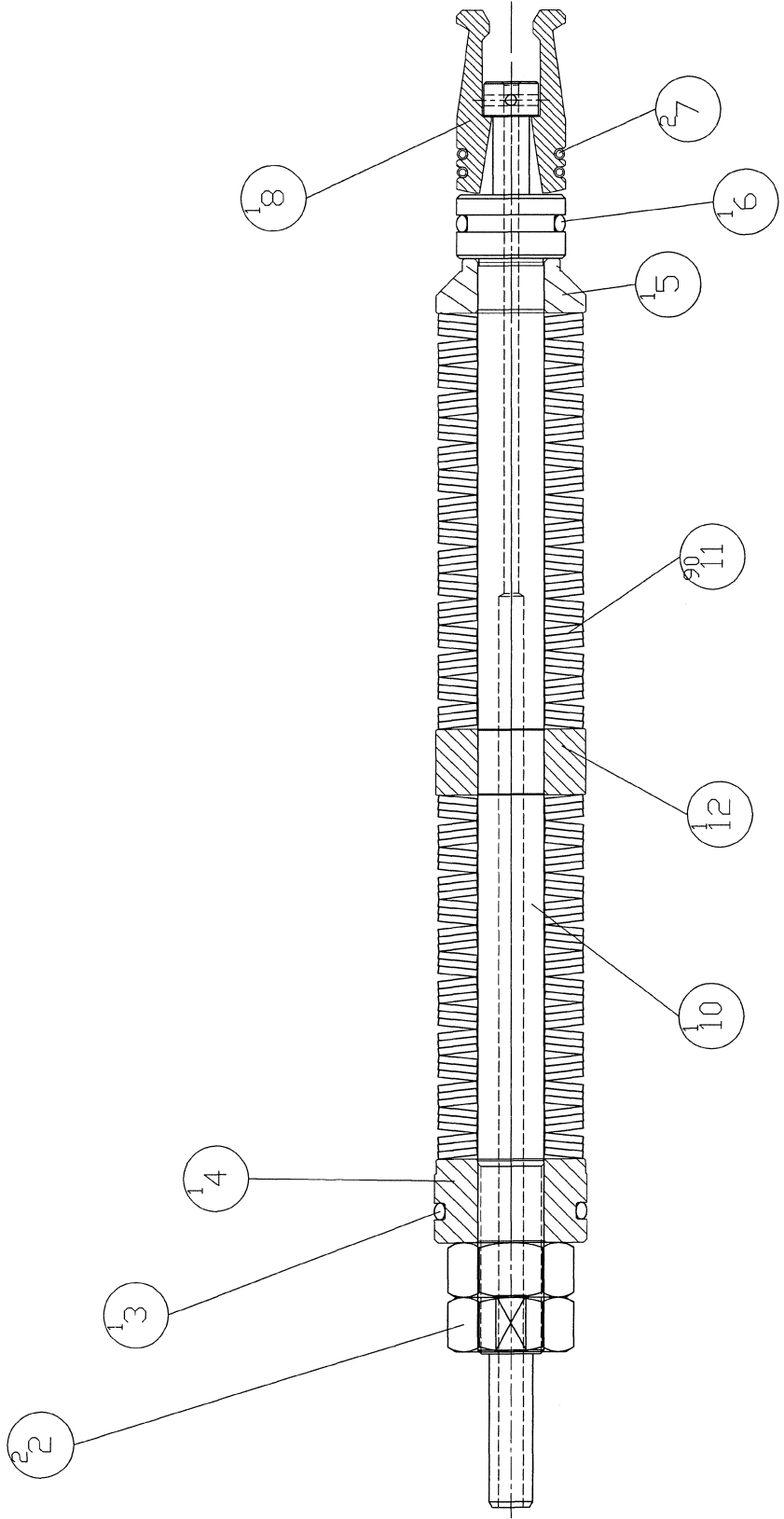
PRODUCT BOM MASTER AND SUB-ITEMS LIST

Master Item Part NO.: NV 001178001A

Description: SPINDLE POSITIONING
主軸定位

Item	Part NO.	Description	中文名稱	Specification	Qty	Unit
1.00	MS 0103820	SOCKET HEAD CAP SCREW	六角六圓頭螺絲	M8xP1.25xL30	2.00	EA
2.00	MW 0183810	SPRING WASHER	彈簧墊圈	M8	2.00	EA
3.00	MS 0103420	SOCKET HEAD CAP SCREW	六角六圓頭螺絲	M4xP0.7xL30	2.00	EA
4.00	NV 001066102A	BRACKET, ENCODER	計速器固定座	L107XW74XH174.9	1.00	EA
5.00	NV 000199005A	PLATE, ENCODER	計速器固定板	L70XW12XH2.3	1.00	EA
6.00	MW 0183410	SPRING WASHER	彈簧墊圈	M4	2.00	EA
9.00	MW 0183410	SPRING WASHER	彈簧墊圈	M4	4.00	EA
10.00	MS 0103418	SOCKET HEAD CAP SCREW	六角六圓頭螺絲	M4xP0.7xL20	4.00	EA

REV.	DESCRIPTION	DATE	ECN.
A	発行承認	2006/10/11	INV0635
B	変更件 1.0	2006/09/25	202



MODEL: VMC-600/800/1000/1250#40/1500#40	PART NUMBER
PART NAME	NVC000048504A
DRAWBAR ASSM(W/ CTS)	PAGE 1 of 1
拉棒(中心線穴)	REV. B
DATE 2005/12/27	SCALE 1:2

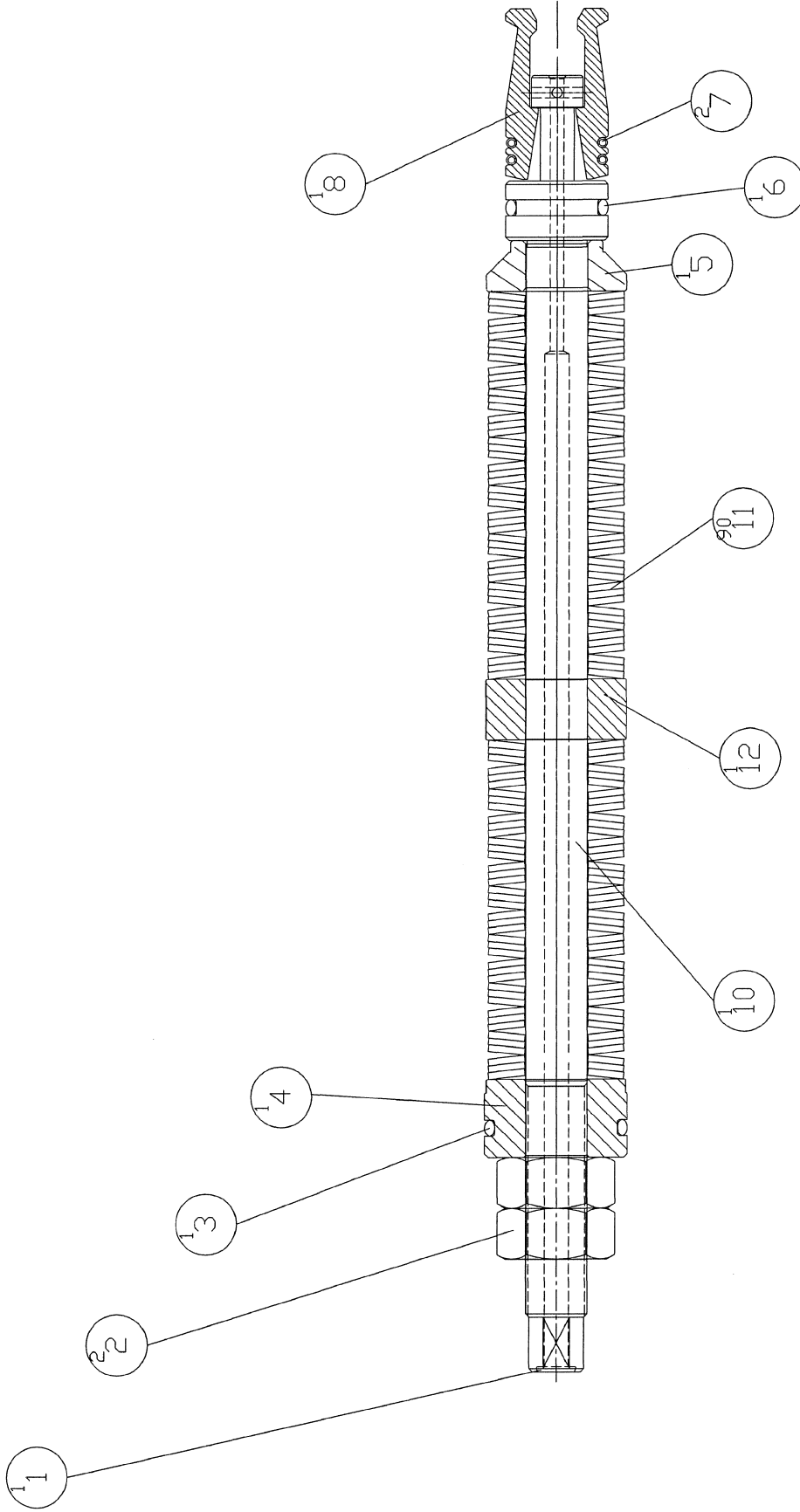
PRODUCT BOM MASTER AND SUB-ITEMS LIST

Master Item Part NO.: NVC000048504A

Description: DRAWBAR (w/CTS)
拉桿(中心給水)

Item Part NO.	Description	中文名稱	Specification	Qty	Unit
2.00 MN 0114710	HEXAGON NUT	六角螺帽	M18xP1.5	2.00	EA
3.00 NV 00094310131	O-RING	O型油環	[NOK] 4DP36(VITON)	1.00	EA
4.00 NVA000048100A	BUSHING	襯套	D41.9Xd18XL23	1.00	ST
5.00 NVB000417304A	WASHER, THRUST	墊圈	D41.3xd18.1xL15	1.00	EA
6.00 NV 00094310130	O-RING	O型油環	[NOK] 4DP24(VITON)	1.00	EA
7.00 NVA000733502	SPRING, RETENTION KNOB	抓刀彈簧	D2.9xd1.95xL51	2.00	EA
8.00 NV 000806300L	HOLDER, RETENTION KNOB(BT40/CT	45度抓刀爪(BT40/CT40/ANSI40)	D30xd12xL50.3	1.00	EA
10.01 NV 000048001A	DRAWBAR, THR SPD COOLANT	拉桿(中心給水)	D30Xd4XL391.5	1.00	ST
11.00 NV 00073350111	SHOT PEENED DISK SPRING	珠擊碟型彈簧片	[SCHNORR]D40Xd18.3XL3.15(t2.0)	90.00	EA
12.00 NVA000417307A	SPACER, DISK SPRING	碟型彈簧墊圈	D41.3xd18.1xL18	1.00	EA

REV	DESCRIPTION	DATE	ECN
A	零件圖	2006/7/08	INV0635



MODEL: VMC-600/800/1000/1250#40/1500#40	
PART NAME	PART NUMBER
DRAWBAR ASSM(W/O CTS)	NVC000048501A
日期: 2005/12/27	頁數: 1 of 1
SCALE: 1:2	REV: A

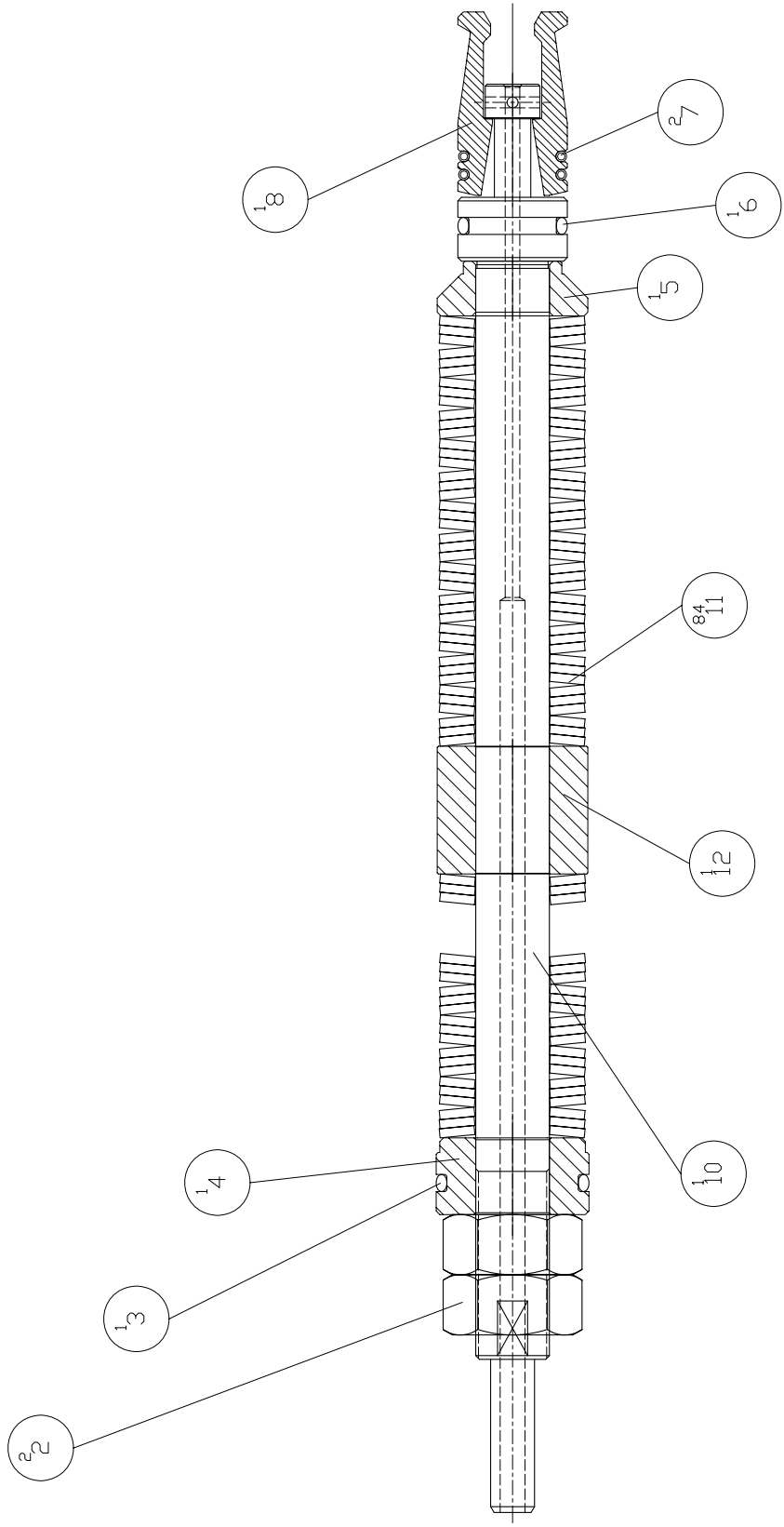
PRODUCT BOM MASTER AND SUB-ITEMS LIST

Master Item Part NO.: NVC000048501A

Description: DRAWBAR (w/o CTS)
拉桿(無中心給水)

Item Part NO.	Description	中文名稱	Specification	Qty	Unit
1.00 NV 00094310101	O-RING	O型油環	[JIS] P8, Hs70 (NOK)	1.00	EA
2.00 MN 0114710	HEXAGON NUT	六角螺帽	M18xP1.5	2.00	EA
3.00 NV 00094310131	O-RING	O型油環	[NOK] 4DP36(VITON)	1.00	EA
4.00 NVA000048100A	BUSHING	襯套	D41.9Xd18XL23	1.00	ST
5.00 NVB000417304A	WASHER, THRUST	墊圈	D41.3xd18.1xL15	1.00	EA
6.00 NV 00094310130	O-RING	O型油環	[NOK] 4DP24(VITON)	1.00	EA
7.00 NVA000733502	SPRING, RETENTION KNOB	抓刀彈簧	D2.9xd1.95xL51	2.00	EA
8.00 NV 000806300L	HOLDER, RETENTION KNOB(BT40/CT	45度抓刀爪(BT40/CT40/ANSI40)	D30xd12xL50.3	1.00	EA
10.00 NV 000048000A	DRAWBAR	拉桿	D30Xd4xL382	1.00	ST
11.00 NV 00073350111	SHOT PEENED DISK SPRING	珠擊碟型彈簧片	[SCHNORR]D40Xd18.3XL3.15(t2.0)	90.00	EA
12.00 NVA000417307A	SPACER, DISK SPRING	碟型彈簧墊圈	D41.3xd18.1xL18	1.00	EA

REV	DESCRIPTION	DATE	ECN
A	零件名稱	2005/1/10	TN/0635
B	更改內容	2006/9/25	20E
C	增加 GX 1300#40/1600#40	2007/10/4	84E



MODEL: VMC-600/800/1000/1250#40/1500#40 GX 1300#40/1600#40	
PART NAME	PART NUMBER
DRAWBAR ASSM(W/ CTS, HI-TORQUE)	NV/B000048504AT
拉桿<中心繪水, 高扭力>	PAGE 1 of 1
DATE 2005/12/27	SCALE 1:2
DATE	REV. C

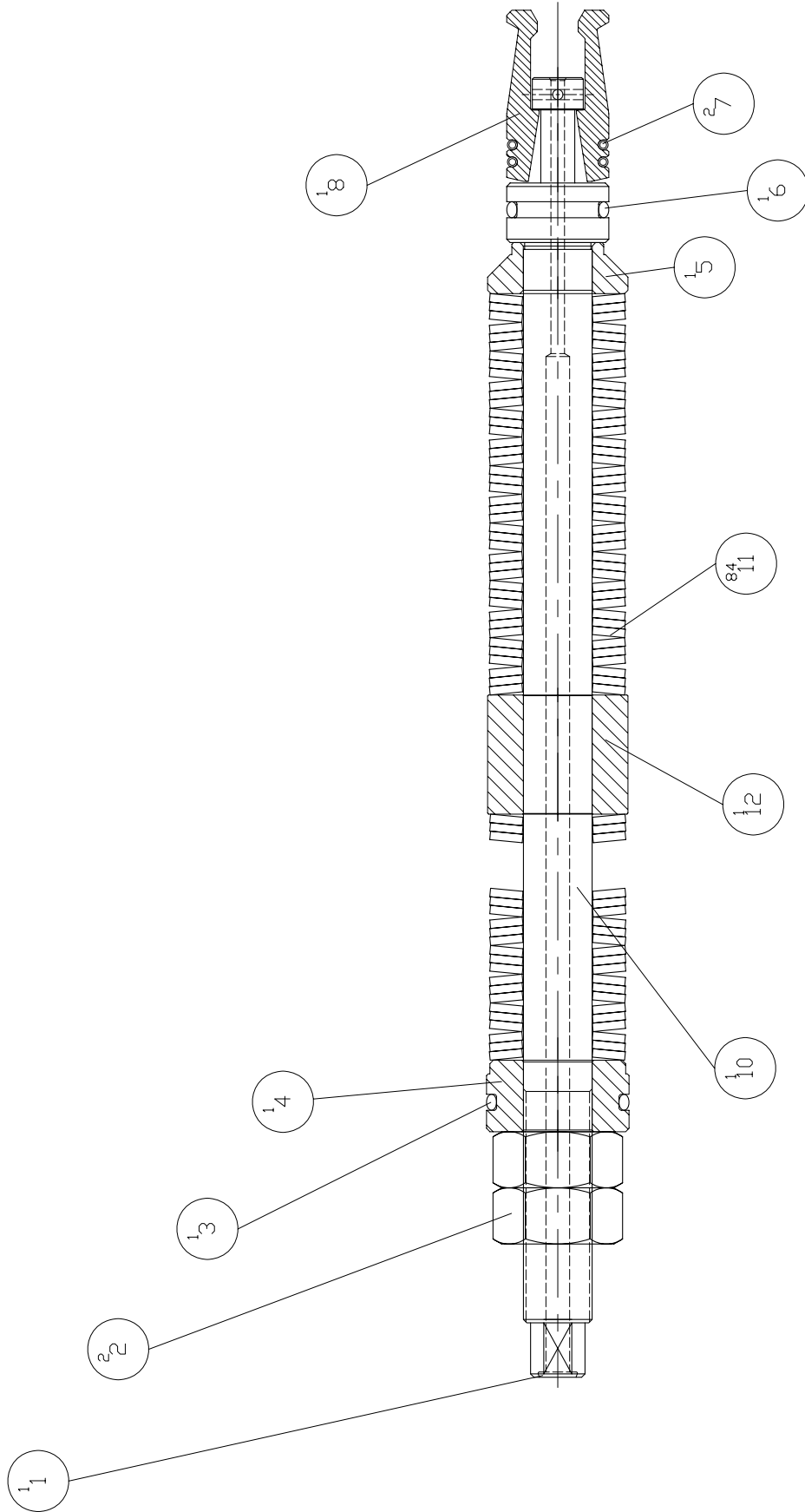
PRODUCT BOM MASTER AND SUB-ITEMS LIST

Master Item Part NO.: NVB000048504AT

Description: DRAWBAR (W/CTS, HI-TORQUE)
拉桿(中心給水, 高扭力)

Item Part NO.	Description	中文名稱	Specification	Qty	Unit
2.00	MN 0114910	六角螺帽	M20xP1.5	2.00	EA
3.00	NV 00094310131	O型油環	[NOK] 4DP36(VITON)	1.00	EA
4.00	NV 000048108A	襯套(主軸兩段變速)	D41.9xd20xL21	1.00	ST
5.00	NV 000417317A	墊圈(主軸兩段變速,CTS)	D41xd20.2xL15.5	1.00	EA
6.00	NV 00094310130	O型油環	[NOK] 4DP24(VITON)	1.00	EA
7.00	NVA000733502	抓刀彈簧	D2.9xd1.95xL51	2.00	EA
8.00	NV 000806300L	HOLDER, RETENTION KNOB(BT40/CT	D30xd12xL50.3	1.00	EA
10.01	NV 000048003A	DRAWBAR, THR SPD COOLANT	D30xd4xL391.5	1.00	ST
11.00	NV 00073350106	SHOT PEENED DISK SPRING	40*20.4*2 (shot peen)	84.00	EA
12.00	NV 000179955A	SPACER OF DISK SPRING (HT)	D41X20X35t	1.00	EA

REV	DESCRIPTION	DATE	ECN
A	零件名稱	2005/1/20	TN/0635
B	增加 GX 1300#40/1600#40	2007/07/4	846



MODEL: VMC-600/800/1000/1250#40/1500#40 GX 1300/#40/1600#40	
PART NAME	PART NUMBER
DRAWBAR ASSM(W/O CTS, HI-TORQUE)	NVB000048501AT
拉桿(無中心線孔, 高扭力)	
DATE 2005/12/27	SCALE 1:2
	PAGE 1 of 1
	REV. B

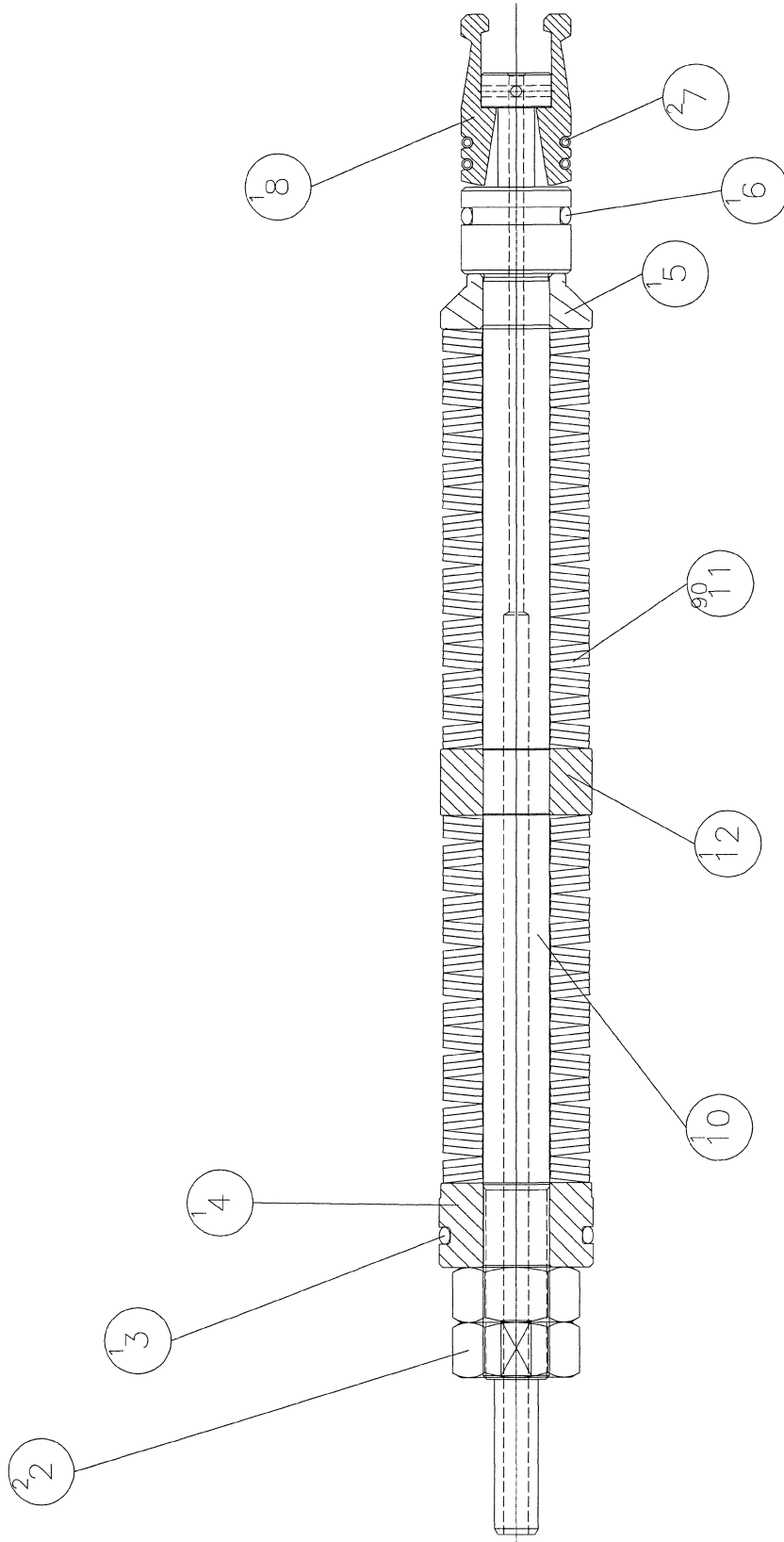
PRODUCT BOM MASTER AND SUB-ITEMS LIST

Master Item Part NO.: NVB000048501AT

Description: DRAWBAR (W/O CTS, HI-TORQUE)
拉桿(無中心給水, 高扭力)

Item Part NO.	Description	中文名稱	Specification	Qty	Unit
1.00 NV 00094310101	O-RING	O型油環	[JIS] P8, Hs70 (NOK)	1.00	EA
2.00 MN 0114910	HEXAGON NUT	六角螺帽	M20xP1.5	2.00	EA
3.00 NV 00094310131	O-RING	O型油環	[NOK] 4DP36(VITON)	1.00	EA
4.00 NV 000048108A	BUSHING	襯套(主軸兩段變速)	D41.9xd20xL21	1.00	ST
5.00 NV 000417317A	WASHER, THRUST CTS	墊圈(主軸兩段變速,CTS)	D41xd20.2xL15.5	1.00	EA
6.00 NV 00094310130	O-RING	O型油環	[NOK] 4DP24(VITON)	1.00	EA
7.00 NVA000733502	SPRING, RETENTION KNOB	抓刀彈簧	D2.9xd1.95xL51	2.00	EA
8.00 NV 000806300L	HOLDER, RETENTION KNOB(BT40/CT	45度抓刀爪(BT40/CT40/ANSI40)	D30xd12xL50.3	1.00	EA
10.00 NV 000048002A	DRAWBAR, THR SPD COOLANT	拉桿(主軸兩段變速)	D30xd4xL382	1.00	ST
11.00 NV 00073350106	SHOT PEENED DISK SPRING	珠擊碟型彈簧片(高扭力)	40*20.4*2 (shot peen)	84.00	EA
12.00 NV 000179955A	SPACER OF DISK SPRING (HT)	碟型彈簧間隔環(HT)	D41X20X35t	1.00	EA

REV.	DESCRIPTION	DATE	ECN.
A	発行済	2006/10/10	TIN0635
B	更改# 10	2006/9/25	202



MODEL: VMC-600/800/1000/1250#40/1500#40	
PART NAME	PART NUMBER
DRAWBAR ASSM(SK40, CTS)	NVB000048520A
立棒 (SK40, 中心給水)	PAGE 1 of 1
DATE 2005/12/27	SCALE 1:2
	REV. B

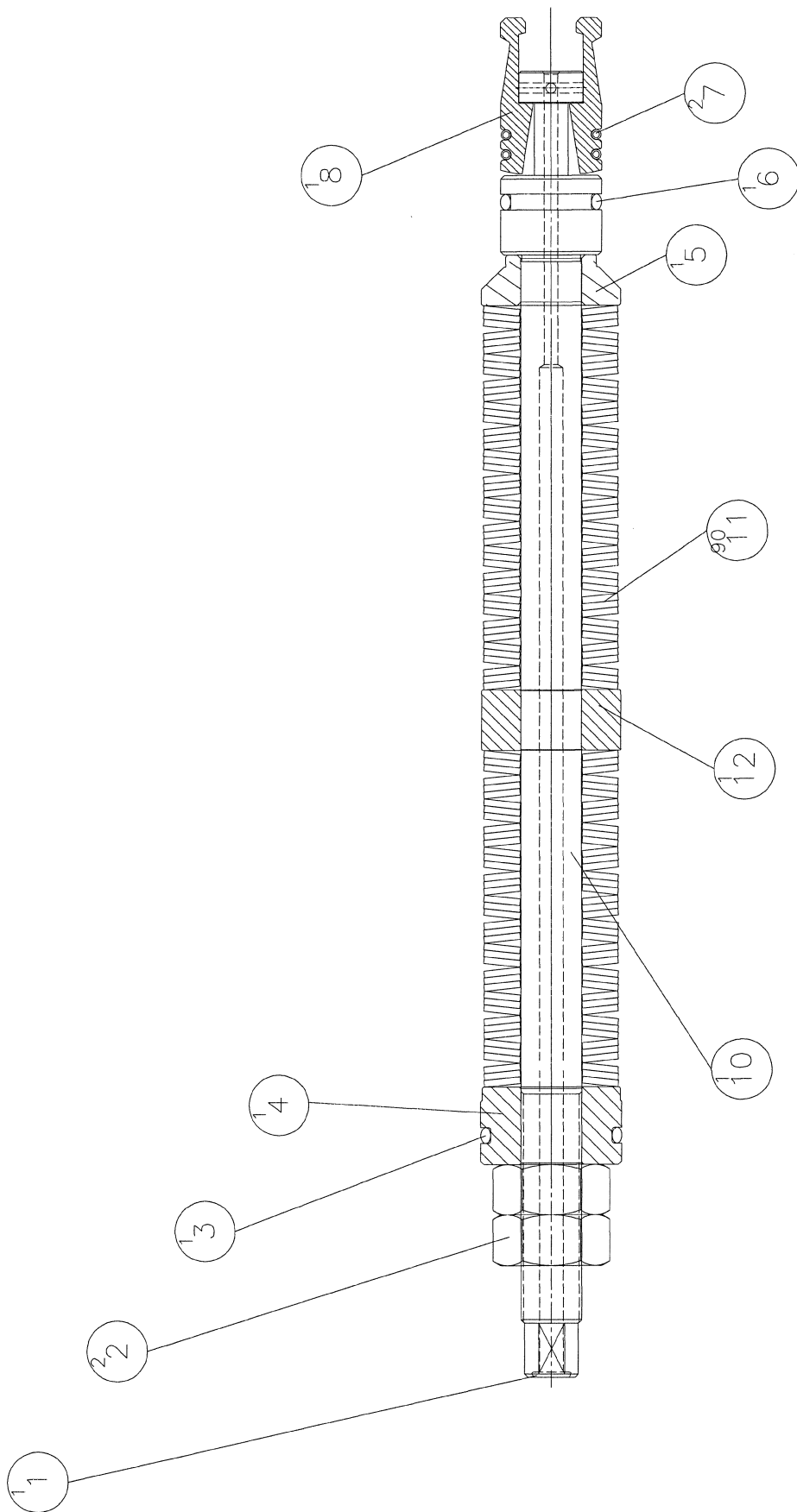
PRODUCT BOM MASTER AND SUB-ITEMS LIST

Master Item Part NO.: NVB000048520A

Description: DRAWBAR ASSM(SK40, W/CTS)
拉桿(SK40, 中心給水)

Item Part NO.	Description	中文名稱	Specification	Qty	Unit
2.00 MN 0114710	HEXAGON NUT	六角螺帽	M18xP1.5	2.00	EA
3.00 NV 00094310131	O-RING	O型油環	[NOK] 4DP36(VITON)	1.00	EA
4.00 NVA000048100A	BUSHING	襯套	D41.9Xd18XL23	1.00	ST
5.00 NVB000417304A	WASHER, THRUST	墊圈	D41.3xd18.1xL15	1.00	EA
6.00 NV 00094310130	O-RING	O型油環	[NOK] 4DP24(VITON)	1.00	EA
7.00 NVA000733502	SPRING, RETENTION KNOB	抓刀彈簧	D2.9xd1.95xL51	2.00	EA
8.00 NV 000806301L	HOLDER, RETENTION KNOB(SK40)	75度抓刀爪(SK40)	D30xd11xL46.5	1.00	EA
10.01 NV 000048005A	DRAWBAR, THR SPD COOLANT(SK40)	拉桿(中心給水)(SK40)	D30Xd4XL391.5	1.00	ST
11.00 NV 00073350111	SHOT PEENED DISK SPRING	珠擊碟型彈簧片	[SCHNORR]D40Xd18.3XL3.15(t2.0)	90.00	EA
12.00 NVA000417307A	SPACER, DISK SPRING	碟型彈簧墊圈	D41.3xd18.1xL18	1.00	EA

REV	DESCRIPTION	DATE	ECN
A	新/訂正	2006/1/10	TIN0032



MODEL: VMC-600/800/1000/1250#40/1500#40

PART NAME	PART NUMBER
DRAWBAR ASSM(SK40, W/O CTS)	NVB000048513A
拉桿 (SK40, 無中心銷水)	PAGE 1 of 1
DATE 2005/12/27	SCALE 1:2
DATE 2005/12/27	REV. A

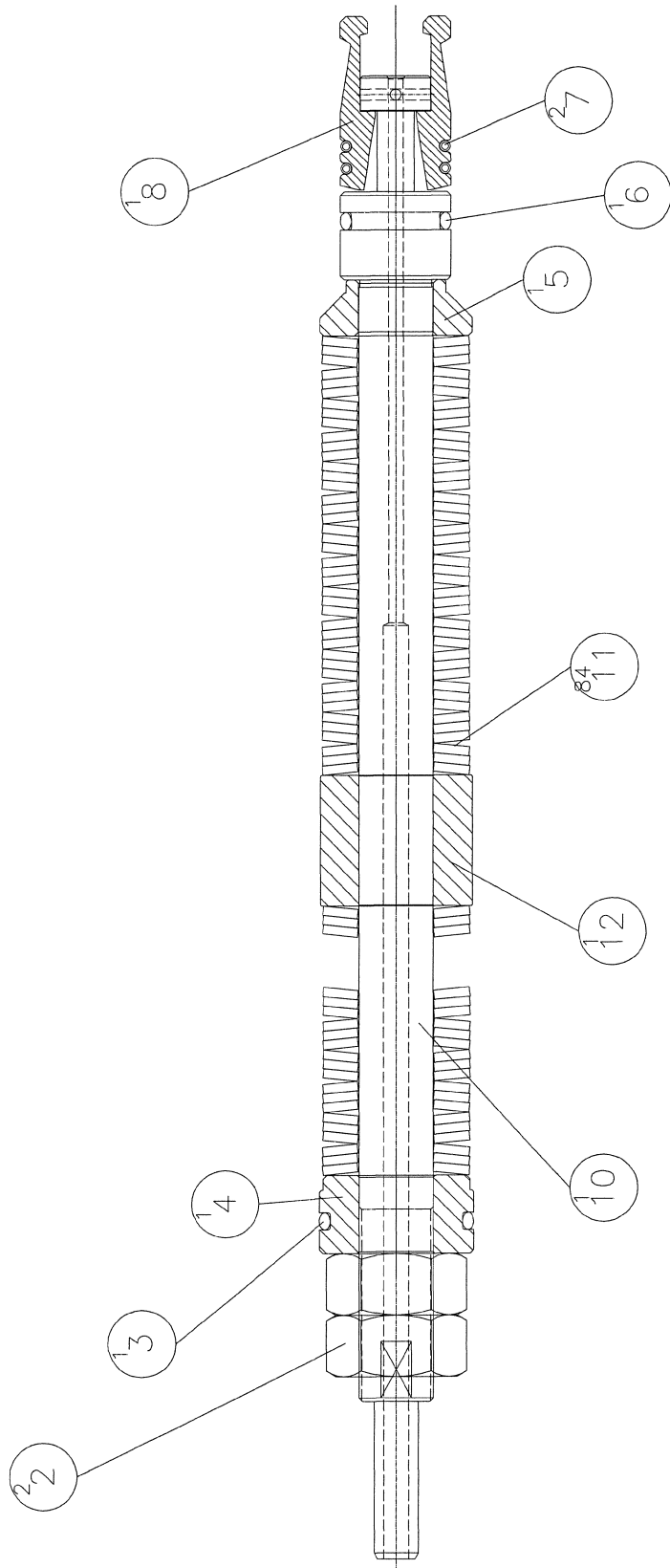
PRODUCT BOM MASTER AND SUB-ITEMS LIST

Master Item Part NO.: NVB000048513A

Description: DRAWBAR ASSM(SK40, W/O CTS)
拉桿(SK40, 無中心給水)

Item Part NO.	Description	中文名稱	Specification	Qty	Unit
1.00 NV 00094310101	O-RING	O型油環	[JIS] P8, Hs70 (NOK)	1.00	EA
2.00 MN 0114710	HEXAGON NUT	六角螺帽	M18xP1.5	2.00	EA
3.00 NV 00094310131	O-RING	O型油環	[NOK] 4DP36(VITON)	1.00	EA
4.00 NVA000048100A	BUSHING	襯套	D41.9Xd18XL23	1.00	ST
5.00 NVB000417304A	WASHER, THRUST	墊圈	D41.3xd18.1xL15	1.00	EA
6.00 NV 00094310130	O-RING	O型油環	[NOK] 4DP24(VITON)	1.00	EA
7.00 NVA000733502	SPRING, RETENTION KNOB	抓刀彈簧	D2.9xd1.95xL51	2.00	EA
8.00 NV 000806301L	HOLDER, RETENTION KNOB(SK40)	75度抓刀爪(SK40)	D30xd11xL46.5	1.00	EA
10.00 NVA000048004A	DRAWBAR, SK40 W/O CTS	拉桿(SK40, W/O CTS)	D30xd4xL388.15	1.00	ST
11.00 NV 00073350111	SHOT PEENED DISK SPRING	珠擊碟型彈簧片	[SCHNORR]D40Xd18.3XL3.15(t2.0)	90.00	EA
12.00 NVA000417307A	SPACER, DISK SPRING	碟型彈簧墊圈	D41.3xd18.1xL18	1.00	EA

REV	DESCRIPTION	DATE	ECN
A	発行承認	2007/10	INV0635
B	更改#10	2008/02	202



MODEL: VMC-600/800/1000/1250#40/1500#40	
PART NAME	PART NUMBER
DRAWBAR ASSM(SK40, CTS, HI-TORQUE)	NVA000048520AT
拉桿 (SK40, 中心給水, 高扭力)	PAGE 1 of 1
DATE 2005/12/27	SCALE 1:2
REV. B	

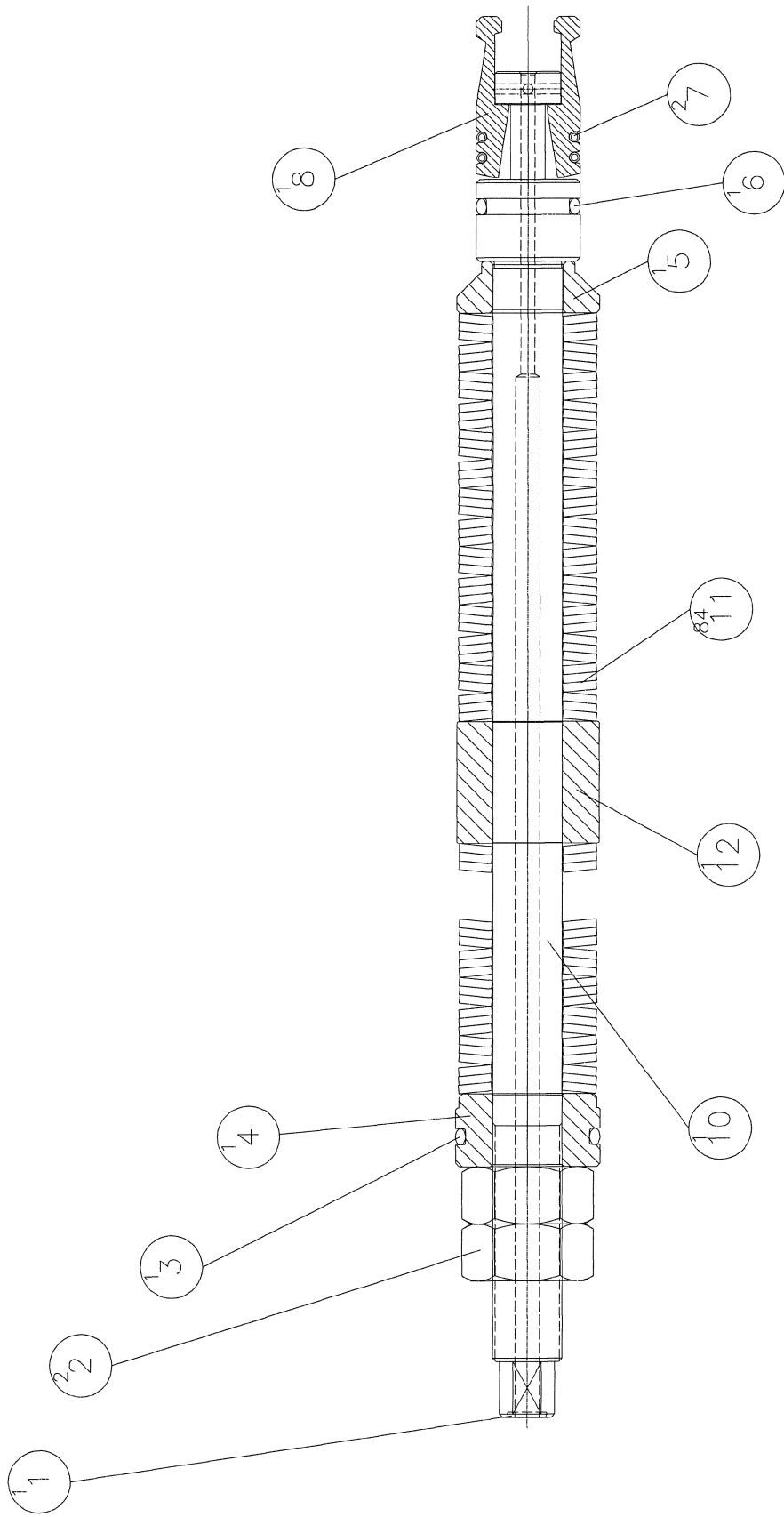
PRODUCT BOM MASTER AND SUB-ITEMS LIST

Master Item Part NO.: NVA000048520AT

Description: DRAWBAR(SK40,W/CTS,HI-TORQUE)
拉桿(SK40, 中心給水, 高扭力)

Item Part NO.	Description	中文名稱	Specification	Qty	Unit
2.00	MN 0114910	六角螺帽	M20xP1.5	2.00	EA
3.00	NV 00094310131	O型油環	[NOK] 4DP36(VITON)	1.00	EA
4.00	NV 000048108A	襯套(主軸兩段變速)	D41.9xd20xL21	1.00	ST
5.00	NV 000417317A	墊圈(主軸兩段變速,CTS)	D41xd20.2xL15.5	1.00	EA
6.00	NV 00094310130	O型油環	[NOK] 4DP24(VITON)	1.00	EA
7.00	NVA000733502	抓刀彈簧	D2.9xd1.95xL51	2.00	EA
8.00	NV 000806301L	HOLDER, RETENTION KNOB(SK40)	D30xd11xL46.5	1.00	EA
10.01	NV 000048007A	DRAWBAR, THR SPD COOLANT(SK40)	D30xd4xL391.5	1.00	ST
11.00	NV 00073350106	SHOT PEENED DISK SPRING	40*20.4*2 (shot peen)	84.00	EA
12.00	NV 000179955A	SPACER OF DISK SPRING (HT)	D41X20X35t	1.00	EA

REV.	DESCRIPTION	DATE	ECN.
A	零件表	2009/1/10	TN00635



MODEL: VMC-600/800/1000/1250#40/1500#40	
PART NAME	PART NUMBER
DRABEAR ASSM(SK40, W/O CTS, HI-TORQUE)	NVA000048513AT
拉桿(SK40, 無中心絲水, 高扭力)	PAGE 1 of 1
DATE 2005/12/27	SCALE 1:2
DATE 2005/12/27	REV. A

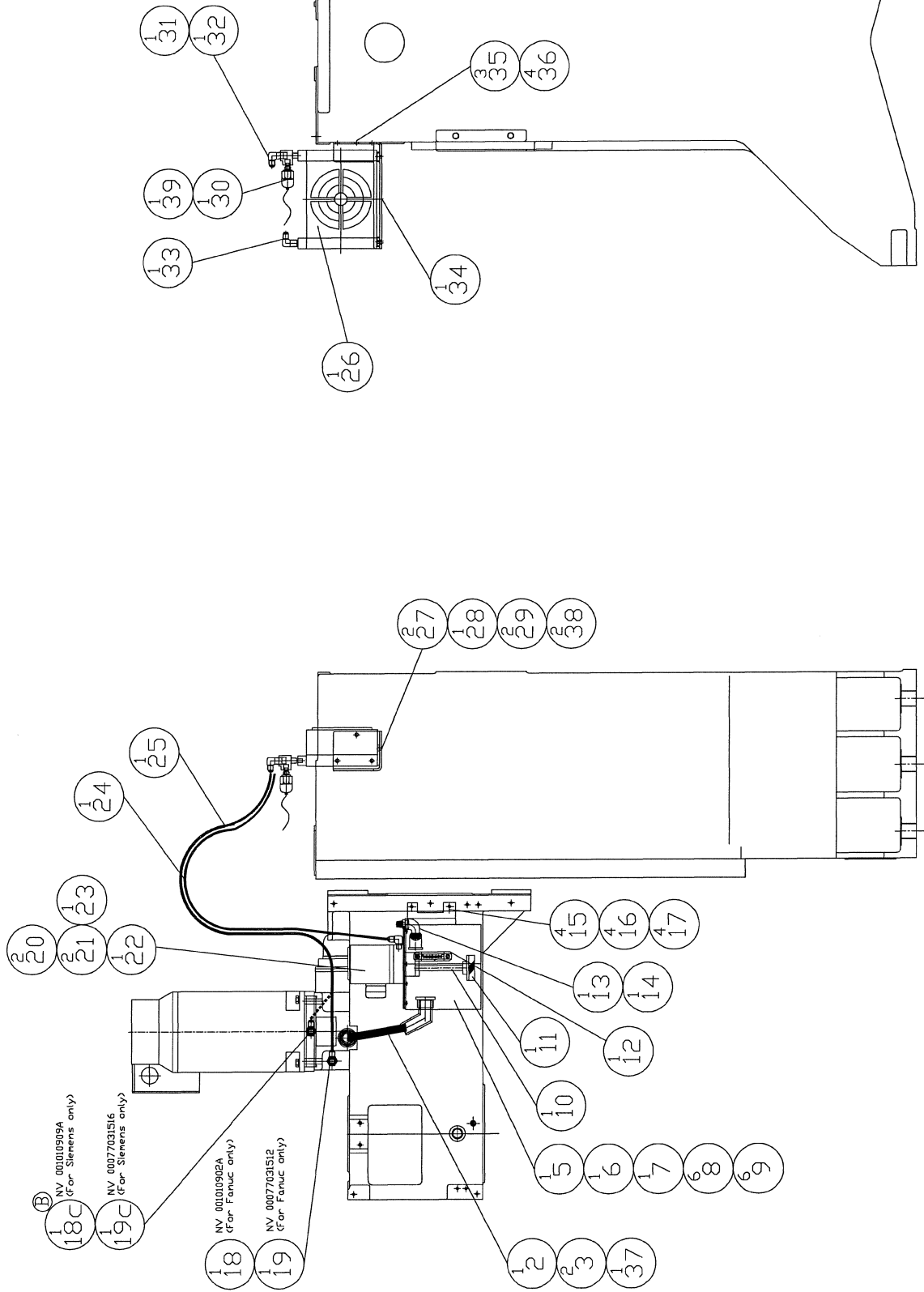
PRODUCT BOM MASTER AND SUB-ITEMS LIST

Master Item Part NO.: NVA000048513AT

Description: DRAWBAR(SK40,W/O CTS,HI-TORQUE
拉桿(SK40,無中心給水,高扭力)

Item Part NO.	Description	中文名稱	Specification	Qty	Unit
1.00 NV 00094310101	O-RING	O型油環	[JIS] P8, Hs70 (NOK)	1.00	EA
2.00 MN 0114910	HEXAGON NUT	六角螺帽	M20xP1.5	2.00	EA
3.00 NV 00094310131	O-RING	O型油環	[NOK] 4DP36(VITON)	1.00	EA
4.00 NV 000048108A	BUSHING	襯套(主軸兩段變速)	D41.9xd20xL21	1.00	ST
5.00 NV 000417317A	WASHER, THRUST CTS	墊圈(主軸兩段變速,CTS)	D41xd20.2xL15.5	1.00	EA
6.00 NV 00094310130	O-RING	O型油環	[NOK] 4DP24(VITON)	1.00	EA
7.00 NVA000733502	SPRING, RETENTION KNOB	抓刀彈簧	D2.9xd1.95xL51	2.00	EA
8.00 NV 000806301L	HOLDER, RETENTION KNOB(SK40)	75度抓刀爪(SK40)	D30xd11xL46.5	1.00	EA
10.00 NV 000048006A	DRAWBAR, THR SPD COOLANT(SK40)	拉桿(主軸兩段變速)(SK40)	D30xd4xL382	1.00	ST
11.00 NV 00073350106	SHOT PEENED DISK SPRING	珠擊碟型彈簧片(高扭力)	40*20.4*2 (shot peen)	84.00	EA
12.00 NV 000179955A	SPACER OF DISK SPRING (HT)	碟型彈簧間隔環(HT)	D41X20X35t	1.00	EA

REV.	DESCRIPTION	DATE	ECN.
B	增加#18C/#19C端子番号	15/11/2001	TN1V0264



- ① 18 NV 001010909A
(For Siemens only)
- ① 19 NV 00077031516
(For Siemens only)
- ① 20 NV 001010902A
(For Fanuc only)
- ① 21 NV 00077031512
(For Fanuc only)

MODEL: VMC600/800/1000	PART NUMBER
PART NAME	NV/B000331004AT
LUBRICATION SYSTEM, ZF GEAR BOX	PAGE 1 OF 1
润滑系统 ZF 齿轮箱	REV. B
DATE 2001/2/14	SCALE 1:1.6

PRODUCT BOM MASTER AND SUB-ITEMS LIST

Master Item Part NO.: NVB000331004AT

Description: LUBRICATION SYSTEM, ZF GEAR BO
 齒輪箱潤滑油系統

Item Part NO.	Description	中文名稱	Specification	Qty	Unit
2.00 NV 00069650128	90 DEGREE HOSE, ZF GEARBOX	90度耐油橡膠管	HOSE Φ1-1/4", L=260	1.00	EA
3.00 NV 00069660301	CLAMP, HOSE	不銹鋼管夾	11/4"	2.00	EA
5.00 NVA000299092A	LUBRICATE TANK, HI-TORQUE	潤滑油箱(高扭力用)	L190xW244.2xH191	1.00	EA
6.00 NVA000299094A	TOP COVER, LUBRICATE TANK	潤滑油箱上蓋(高扭力用)	L131xW166xH3	1.00	EA
7.00 NVA001011602A	PLASTIC SHIELD, LUBRICATE TANK	防漏橡膠片	L166xW131xH3.175	1.00	EA
8.00 MS 0103516	SOCKET HEAD CAP SCREW	六角穴圓頭螺絲	M5xP0.8xL12	6.00	EA
9.00 MW 0183510	SPRING WASHER	彈簧墊圈	M5	6.00	EA
10.00 NV 00077030222	NIPPLE, STRAIGHT	直接頭	PT1/4xPT1/4-120L	1.00	EA
11.00 NV 001161405A	FILTER	扁型濾油網	[Tswu Kwan] D63XH30	1.00	EA
12.00 NV 00113180104	GAUGE LEVEL	油面計	OA-3" (Acry)	1.00	EA
13.00 NV 00077031511	ELBOW, 90 DEG	90度肘管接頭	PT1/2"maleXPT1/2"Female	1.00	EA
14.00 NV 00113350106	MUFFLER, BREATHER	消音器	PT1/2" (SL-04)	1.00	EA
15.00 MS 0103618	SOCKET HEAD CAP SCREW	六角穴圓頭螺絲	M6xP1.0xL20	4.00	EA
16.00 MW 0103610	FLAT WASHER	平墊圈	M6(d6*D19*H2)	4.00	EA
17.00 MW 0183610	SPRING WASHER	彈簧墊圈	M6	4.00	EA
18.00 NV 001010902A	FITTING, LUBRICATION INLET	潤滑油入油管接頭	D20Xd14.5xL57	1.00	EA
19.00 NV 00077031512	ELBOW, 90 DEG MALE	90度雙外牙肘管接頭	PT3/8"X7/16-20UNF	1.00	EA
20.00 MW 0183410	SPRING WASHER	彈簧墊圈	M4	2.00	EA
21.00 MS 0103420	SOCKET HEAD CAP SCREW	六角穴圓頭螺絲	M4xP0.7xL30	2.00	EA
22.00 NV 00033250202	PUMP, LUBRICATION SYSTEM	潤滑油泵浦	[Tswu Kwan] TK160	1.00	ST

PRODUCT BOM MASTER AND SUB-ITEMS LIST

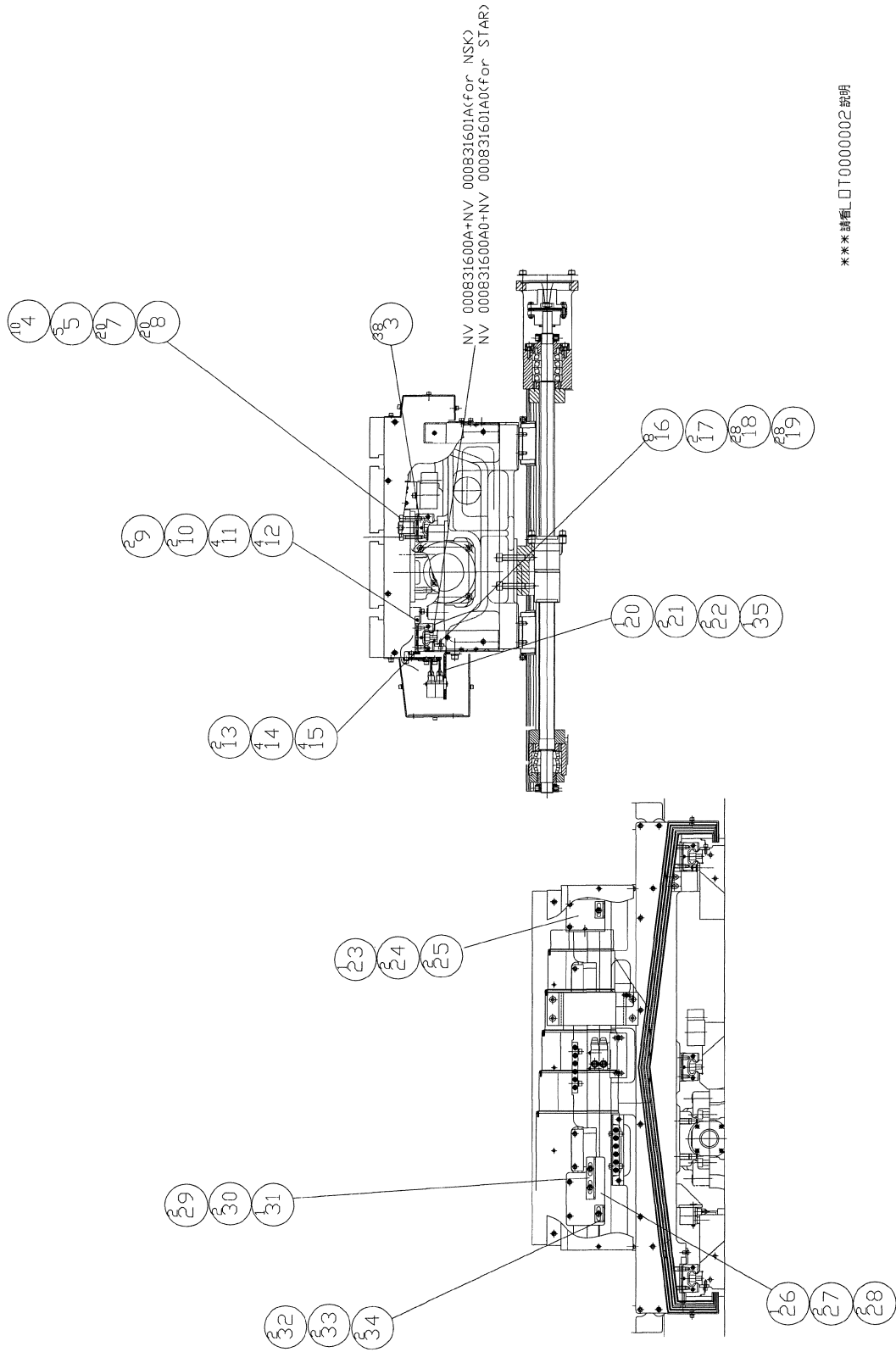
Item	Part NO.	Description	中文名稱	Specification	Qty	Unit
23.00	NV 00077031510	ELBOW,90 DEG MALE	90度肘管接頭	PT1/4"maleX7/16"-20UNF male	1.00	EA
24.00	NV 00069650112	HOSE, FLEXIBLE HYDRAULIC	耐油橡膠管	HOSE 7/16-20UNFX2M	1.00	EA
25.00	NV 00069650112	HOSE, FLEXIBLE HYDRAULIC	耐油橡膠管	HOSE 7/16-20UNFX2M	1.00	EA
26.00	NV 00001300103	HEAT EXCHANGER, ZF GEARBOX	熱交換器	[Jang Maw DRC-JM]	1.00	ST
27.00	MS 0103619	SOCKET HEAD CAP SCREW	六角穴圓頭螺絲	M6xP1.0xL25	2.00	EA
28.00	MW 0103610	FLAT WASHER	平墊圈	M6(d6*D19*H2)	1.00	EA
29.00	MW 0183610	SPRING WASHER	彈簧墊圈	M6	2.00	EA
30.00	NV 00117360104	PRESSURE SWITCH	壓力開關(高扭力使用)	0.1~1kg/cm2 [Tswu Kwan](PMN1A)	1.00	EA
31.00	NV 00077031512	ELBOW, 90 DEG MALE	90度雙外牙肘管接頭	PT3/8"X7/16-20UNF	1.00	EA
32.00	NV 00077031601	TEE ADAPTER, FEMALE&MALE	內外牙三通	PT3/8mxPT3/8fxPT1/4f	1.00	EA
33.00	NV 00077031512	ELBOW, 90 DEG MALE	90度雙外牙肘管接頭	PT3/8"X7/16-20UNF	1.00	EA
34.02	NV 000399056A	SUPPORTER, HEAT EXCHANGER	熱交換器支撐架(高扭力用)	L270xW120xH100	1.00	EA
35.00	MS 0104019	SOCKET HEAD CAP SCREW	六角穴圓頭螺絲	M10xP1.5xL25	4.00	EA
36.00	MW 0183810	SPRING WASHER	彈簧墊圈	M8	3.00	EA
37.00	NV 00077030517	CONNECTOR	62度插心直接頭	PT1"X φ 11/4" (62 degree)	1.00	EA
38.00	MN 0113610	HEXAGON NUT	六角螺帽	M6xP1.0	2.00	EA
39.00	NV 00077031215	BUSHING	卜申接頭	PT1/4"mxPT1/8"f	1.00	EA

Chapter 2

XYZ 結構

XYZ Structure

REV	DESCRIPTION	DATE	ECN
B	35 修正 NV A00019034A	2001/5/15	INV0262
C	NVA00106300A--NV_00106324A	2001/9/13	INV0346



*** 請看 T00000002 說明

MODEL	V MC600
PART NAME	X-AXIS POSITIONING
PART NUMBER	NV 000004601A
DATE	1999/6/8
SCALE	1:1
REV.	C
PAGE	1 OF 1
DESIGNER	SHERRY MICHEL
CHECKER	PHIL

PRODUCT BOM MASTER AND SUB-ITEMS LIST

Master Item Part NO.: NV 000004601A

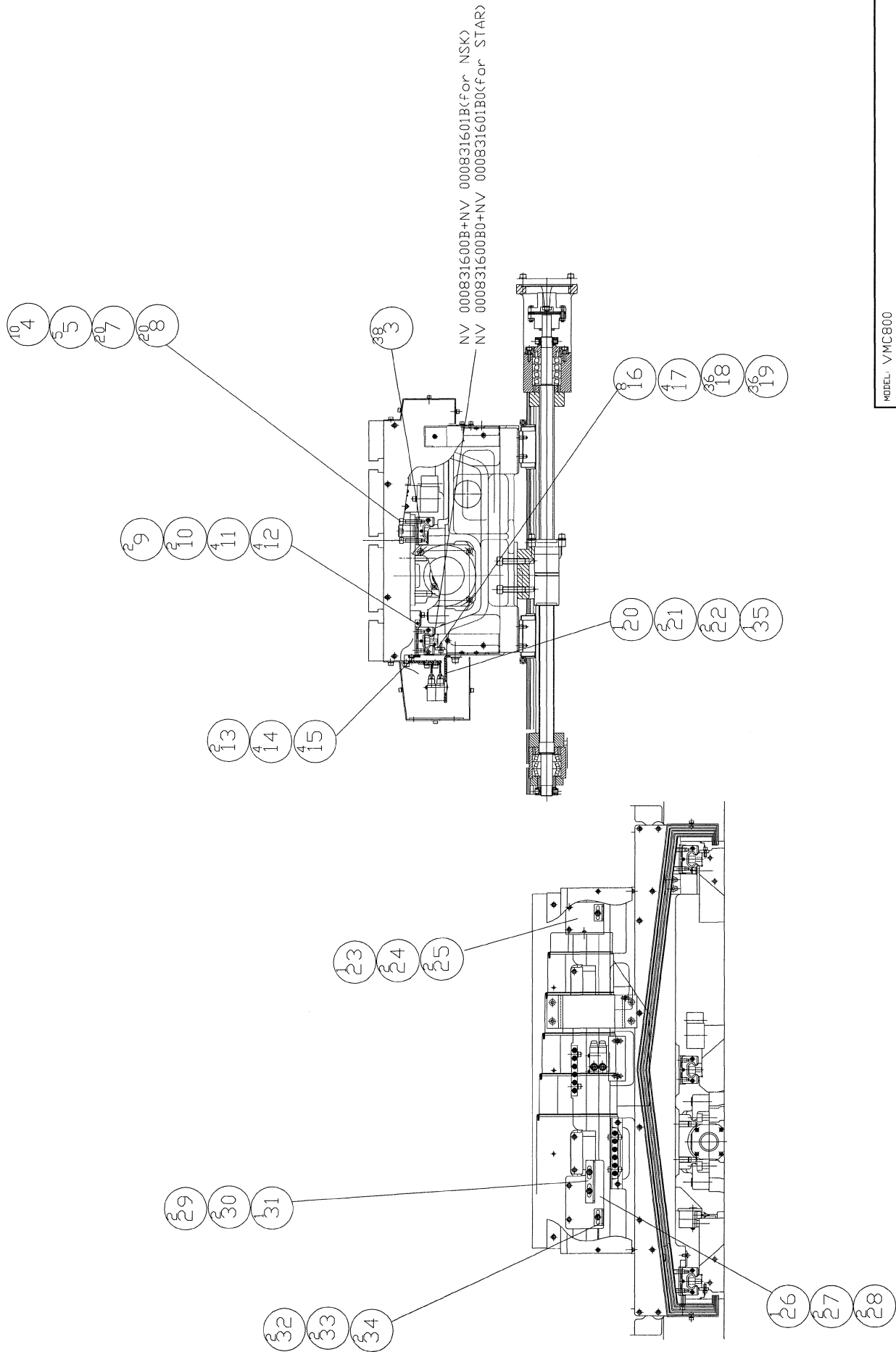
Description: X-AXIS POSITIONING
X軸定位

Item Part NO.	Description	中文名稱	Specification	Qty	Unit
3.00 MS 0103820	SOCKET HEAD CAP SCREW	六角穴圓頭螺絲	M8xP1.25xL30	38.00	EA
4.00 NV 001108324A	SHIM, TRUCK	墊片	L33xW58xT0.23	10.00	EA
5.00 NV 001033101A	PLUG, TABLE	防塵蓋	[STAR]1605-400-90(Φ20)	5.00	EA
7.00 MS 0103823	SOCKET HEAD CAP SCREW	六角穴圓頭螺絲	M8xP1.25xL45	20.00	EA
8.00 NV 001033100A	PLUG, LINEAR GUIDE	防塵蓋	[STAR]1605-300-90(Φ15)	20.00	EA
9.00 NV 000648100A	GIB, GUIDE TRUCK	調整塊	L76xW10xH15	2.00	EA
10.00 NV 000199038A	RETAINER, GIB SHIM	壓板	L76xW32xH2.3	2.00	EA
11.00 MS 0103617	SOCKET HEAD CAP SCREW	六角穴圓頭螺絲	M6xP1.0xL16	4.00	EA
12.00 MW 0183610	SPRING WASHER	彈簧墊圈	M6	4.00	EA
13.00 NV 000199037A	RETAINER	壓板	L88xW25XH5	2.00	EA
14.00 MS 0103617	SOCKET HEAD CAP SCREW	六角穴圓頭螺絲	M6xP1.0xL16	4.00	EA
15.00 MW 0103610	FLAT WASHER	平墊圈	M6(d6*D19*H2)	4.00	EA
16.00 NV 000199035A	RETAINER, GUIDE RAIL	壓板	L180xW19xH5	8.00	EA
17.00 NV 000199036A	RETAINER, GUIDE RAIL	壓板	L96xW19xH5	2.00	EA
18.00 MS 0103517	SOCKET HEAD CAP SCREW	六角穴圓頭螺絲	M5xP0.8xL16	28.00	EA
19.00 MW 0103510	FLAT WASHER	平墊圈	M5	28.00	EA
20.00 NV 000199027A	SEAT, SWITCH	開關座	L101xW95xH40	1.00	EA
21.00 MS 0103424	SOCKET HEAD CAP SCREW	六角穴圓頭螺絲	M4xP0.7xL50	2.00	EA
22.00 MW 0183410	SPRING WASHER	彈簧墊圈	M4	2.00	EA
23.00 NV 000199021A	SEAT, DOG	終點定位座	L81xW68xH5	1.00	EA

PRODUCT BOM MASTER AND SUB-ITEMS LIST

Item	Part NO.	Description	中文名稱	Specification	Qty	Unit
24.00	MS 0103617	SOCKET HEAD CAP SCREW	六角六圓頭螺絲	M6xP1.0xL16	2.00	EA
25.00	MW 0183610	SPRING WASHER	彈簧墊圈	M6	2.00	EA
26.00	NV 000199022A	SEAT, ORIGIN DOG	原點定位座	L145xW81xH5	1.00	EA
27.00	MS 0103617	SOCKET HEAD CAP SCREW	六角六圓頭螺絲	M6xP1.0xL16	2.00	EA
28.00	MW 0183610	SPRING WASHER	彈簧墊圈	M6	2.00	EA
29.00	MS 0103615	SOCKET HEAD CAP SCREW	六角六圓頭螺絲	M6xP1.0xL10	2.00	EA
30.00	MW 0183610	SPRING WASHER	彈簧墊圈	M6	2.00	EA
31.00	NV 000199024A	ORIGIN DOG	原點定位塊	L90xW19xH20	1.00	EA
32.00	MS 0103615	SOCKET HEAD CAP SCREW	六角六圓頭螺絲	M6xP1.0xL10	2.00	EA
33.00	MW 0183610	SPRING WASHER	彈簧墊圈	M6	2.00	EA
34.00	NV 000199023A	DOG	終點定位塊	L35xW19xH20	2.00	EA
35.00	NVA000199034A	PLATE	固定板	L45xW10xH5	1.00	EA

REV	DESCRIPTION	DATE	ECN
B	35改XNV400019034A	2007/2/19	TN00262
C	NVA00106300A--NV 00106324A	2007/9/13	TN00346



MODEL	VNC800
PART NAME	X-AXIS POSITIONING
PART NUMBER	NV 000004601B
DATE	1999/5/11
SCALE	1:1.2
PAGE	1 OF 1
REV.	C

PRODUCT BOM MASTER AND SUB-ITEMS LIST

Master Item Part NO.: NV 000004601B

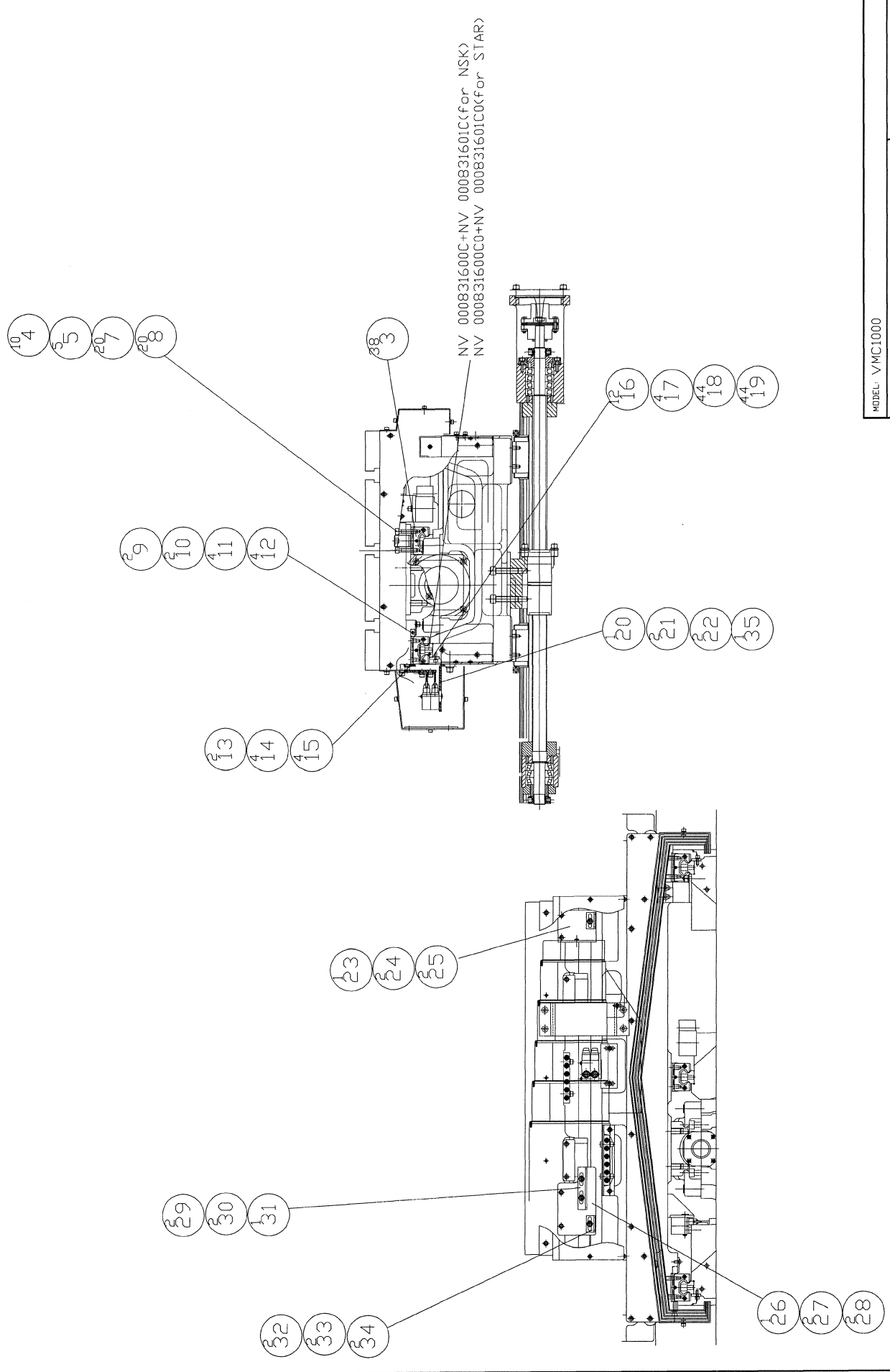
Description: X-AXIS POSITIONING
X軸定位

Item Part NO.	Description	中文名稱	Specification	Qty	Unit
3.00 MS 0103820	SOCKET HEAD CAP SCREW	六角穴圓頭螺絲	M8xP1.25xL30	38.00	EA
4.00 NV 001108324A	SHIM, TRUCK	墊片	L33xW58xT0.23	10.00	EA
5.00 NV 001033101A	PLUG, TABLE	防塵蓋	[STAR]1605-400-90(Φ20)	5.00	EA
7.00 MS 0103823	SOCKET HEAD CAP SCREW	六角穴圓頭螺絲	M8xP1.25xL45	20.00	EA
8.00 NV 001033100A	PLUG, LINEAR GUIDE	防塵蓋	[STAR]1605-300-90(Φ15)	20.00	EA
9.00 NV 000648100A	GIB, GUIDE TRUCK	調整塊	L76xW10xH15	2.00	EA
10.00 NV 000199038A	RETAINER, GIB SHIM	壓板	L76xW32xH2.3	2.00	EA
11.00 MS 0103617	SOCKET HEAD CAP SCREW	六角穴圓頭螺絲	M6xP1.0xL16	4.00	EA
12.00 MW 0183610	SPRING WASHER	彈簧墊圈	M6	4.00	EA
13.00 NV 000199037A	RETAINER	壓板	L88xW25XH5	2.00	EA
14.00 MS 0103617	SOCKET HEAD CAP SCREW	六角穴圓頭螺絲	M6xP1.0xL16	4.00	EA
15.00 MW 0103610	FLAT WASHER	平墊圈	M6(d6*D19*H2)	4.00	EA
16.00 NV 000199035A	RETAINER, GUIDE RAIL	壓板	L180xW19xH5	8.00	EA
17.00 NV 000199036A	RETAINER, GUIDE RAIL	壓板	L96xW19xH5	4.00	EA
18.00 MS 0103517	SOCKET HEAD CAP SCREW	六角穴圓頭螺絲	M5xP0.8xL16	36.00	EA
19.00 MW 0103510	FLAT WASHER	平墊圈	M5	36.00	EA
20.00 NV 000199027A	SEAT, SWITCH	開關座	L101xW95xH40	1.00	EA
21.00 MS 0103424	SOCKET HEAD CAP SCREW	六角穴圓頭螺絲	M4xP0.7xL50	2.00	EA
22.00 MW 0183410	SPRING WASHER	彈簧墊圈	M4	2.00	EA
23.00 NV 000199021A	SEAT, DOG	終點定位座	L81xW68xH5	1.00	EA

PRODUCT BOM MASTER AND SUB-ITEMS LIST

Item Part NO.	Description	中文名稱	Specification	Qty	Unit
24.00 MS 0103617	SOCKET HEAD CAP SCREW	六角穴圓頭螺絲	M6xP1.0xL16	2.00	EA
25.00 MW 0183610	SPRING WASHER	彈簧墊圈	M6	2.00	EA
26.00 NV 000199022A	SEAT, ORIGIN DOG	原點定位座	L145xW81xH5	1.00	EA
27.00 MS 0103617	SOCKET HEAD CAP SCREW	六角穴圓頭螺絲	M6xP1.0xL16	2.00	EA
28.00 MW 0183610	SPRING WASHER	彈簧墊圈	M6	2.00	EA
29.00 MS 0103615	SOCKET HEAD CAP SCREW	六角穴圓頭螺絲	M6xP1.0xL10	2.00	EA
30.00 MW 0183610	SPRING WASHER	彈簧墊圈	M6	2.00	EA
31.00 NV 000199024A	ORIGIN DOG	原點定位塊	L90xW19xH20	1.00	EA
32.00 MS 0103615	SOCKET HEAD CAP SCREW	六角穴圓頭螺絲	M6xP1.0xL10	2.00	EA
33.00 MW 0183610	SPRING WASHER	彈簧墊圈	M6	2.00	EA
34.00 NV 000199023A	DOG	終點定位塊	L35xW19xH20	2.00	EA
35.00 NVA000199034A	PLATE	固定板	L45xW10xH5	1.00	EA

REV	DESCRIPTION	DATE	ECN
B	352628NV400019034A	200/9/13	TNV086E
C	NVA001083100A--NV 00108324A	200/9/13	TNV084E



MODEL: VMC1000	
PART NAME	PART NUMBER
X-AXIS POSITIONING	NV 000004601C
X軸定位	
DATE 1999/5/11	PAGE 1 OF 1
SCALE 1:12	REV. C

PRODUCT BOM MASTER AND SUB-ITEMS LIST

Master Item Part NO.: NV 000004601C

Description: X-AXIS POSITIONING

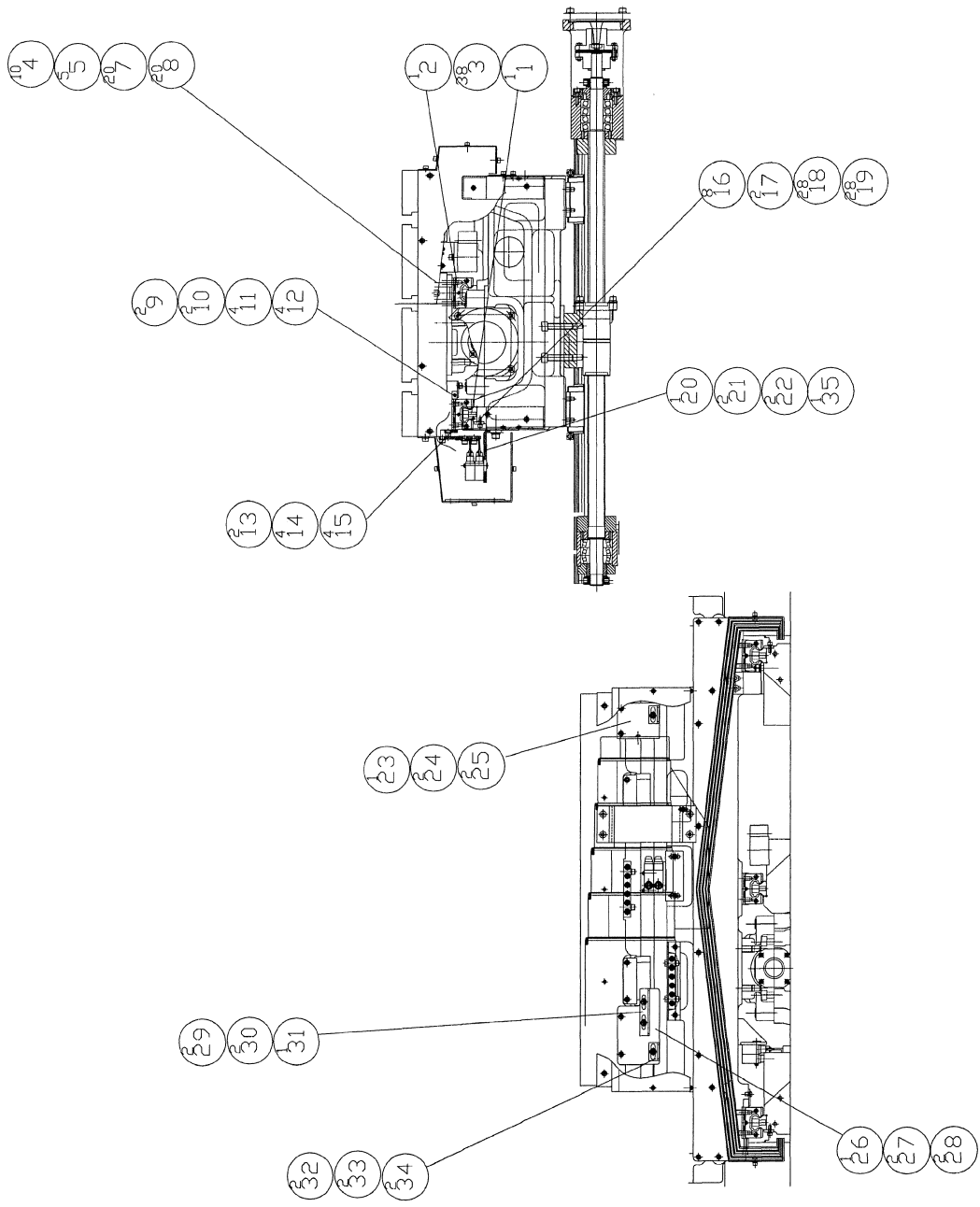
X軸定位

Item	Part NO.	Description	中文名稱	Specification	Qty	Unit
3.00	MS 0103820	SOCKET HEAD CAP SCREW	六角穴圓頭螺絲	M8xP1.25xL30	38.00	EA
4.00	NV 001108324A	SHIM, TRUCK	墊片	L33xW58xT0.23	10.00	EA
5.00	NV 001033101A	PLUG, TABLE	防塵蓋	[STAR]1605-400-90(Φ20)	5.00	EA
7.00	MS 0103823	SOCKET HEAD CAP SCREW	六角穴圓頭螺絲	M8xP1.25xL45	20.00	EA
8.00	NV 001033100A	PLUG, LINEAR GUIDE	防塵蓋	[STAR]1605-300-90(Φ15)	20.00	EA
9.00	NV 000648100A	GIB, GUIDE TRUCK	調整塊	L76xW10xH15	2.00	EA
10.00	NV 000199038A	RETAINER, GIB SHIM	壓板	L76xW32xH2.3	2.00	EA
11.00	MS 0103617	SOCKET HEAD CAP SCREW	六角穴圓頭螺絲	M6xP1.0xL16	4.00	EA
12.00	MW 0183610	SPRING WASHER	彈簧墊圈	M6	4.00	EA
13.00	NV 000199037A	RETAINER	壓板	L88xW25XH5	2.00	EA
14.00	MS 0103617	SOCKET HEAD CAP SCREW	六角穴圓頭螺絲	M6xP1.0xL16	4.00	EA
15.00	MW 0103610	FLAT WASHER	平墊圈	M6(d6*D19*H2)	4.00	EA
16.00	NV 000199035A	RETAINER, GUIDE RAIL	壓板	L180xW19xH5	12.00	EA
17.00	NV 000199036A	RETAINER, GUIDE RAIL	壓板	L96xW19xH5	4.00	EA
18.00	MS 0103517	SOCKET HEAD CAP SCREW	六角穴圓頭螺絲	M5xP0.8xL16	44.00	EA
19.00	MW 0103510	FLAT WASHER	平墊圈	M5	44.00	EA
20.00	NV 000199027A	SEAT, SWITCH	開關座	L101xW95xH40	1.00	EA
21.00	MS 0103424	SOCKET HEAD CAP SCREW	六角穴圓頭螺絲	M4xP0.7xL50	2.00	EA
22.00	MW 0183410	SPRING WASHER	彈簧墊圈	M4	2.00	EA
23.00	NV 000199021A	SEAT, DOG	終點定位座	L81xW68xH5	1.00	EA

PRODUCT BOM MASTER AND SUB-ITEMS LIST

Item	Part NO.	Description	中文名稱	Specification	Qty	Unit
24.00	MS 0103617	SOCKET HEAD CAP SCREW	六角穴圓頭螺絲	M6xP1.0xL16	2.00	EA
25.00	MW 0183610	SPRING WASHER	彈簧墊圈	M6	2.00	EA
26.00	NV 000199022A	SEAT, ORIGIN DOG	原點定位座	L145xW81xH5	1.00	EA
27.00	MS 0103617	SOCKET HEAD CAP SCREW	六角穴圓頭螺絲	M6xP1.0xL16	2.00	EA
28.00	MW 0183610	SPRING WASHER	彈簧墊圈	M6	2.00	EA
29.00	MS 0103615	SOCKET HEAD CAP SCREW	六角穴圓頭螺絲	M6xP1.0xL10	2.00	EA
30.00	MW 0183610	SPRING WASHER	彈簧墊圈	M6	2.00	EA
31.00	NV 000199024A	ORIGIN DOG	原點定位塊	L90xW19xH20	1.00	EA
32.00	MS 0103615	SOCKET HEAD CAP SCREW	六角穴圓頭螺絲	M6xP1.0xL10	2.00	EA
33.00	MW 0183610	SPRING WASHER	彈簧墊圈	M6	2.00	EA
34.00	NV 000199023A	DOG	終點定位塊	L35xW19xH20	2.00	EA
35.00	NVA000199034A	PLATE	固定板	L45xW10xH5	1.00	EA

REV	DESCRIPTION	DATE	ECN
B	35 MCMVA000190C3AA	2001/5/15	TRV0365
C	INVAD0108300A-->NV_00108300A	2001/7/13	TRV0346



(HI-TORQUE)

MODEL: VMC600	PART NUMBER
PART NAME	NV_000004601AT
X-AXIS POSITIONING<HI-TORQUE>	PAGE 1 OF 1
X 軸定位<HI-TORQUE>	REV. C
DATE 2000/4/25	SCALE 1:1.4
DESIGNED BY SHERRY	
CHECKED BY MICHAEL	
FILED BY PHIL	

PRODUCT BOM MASTER AND SUB-ITEMS LIST

Master Item Part NO.: NV 000004601AT

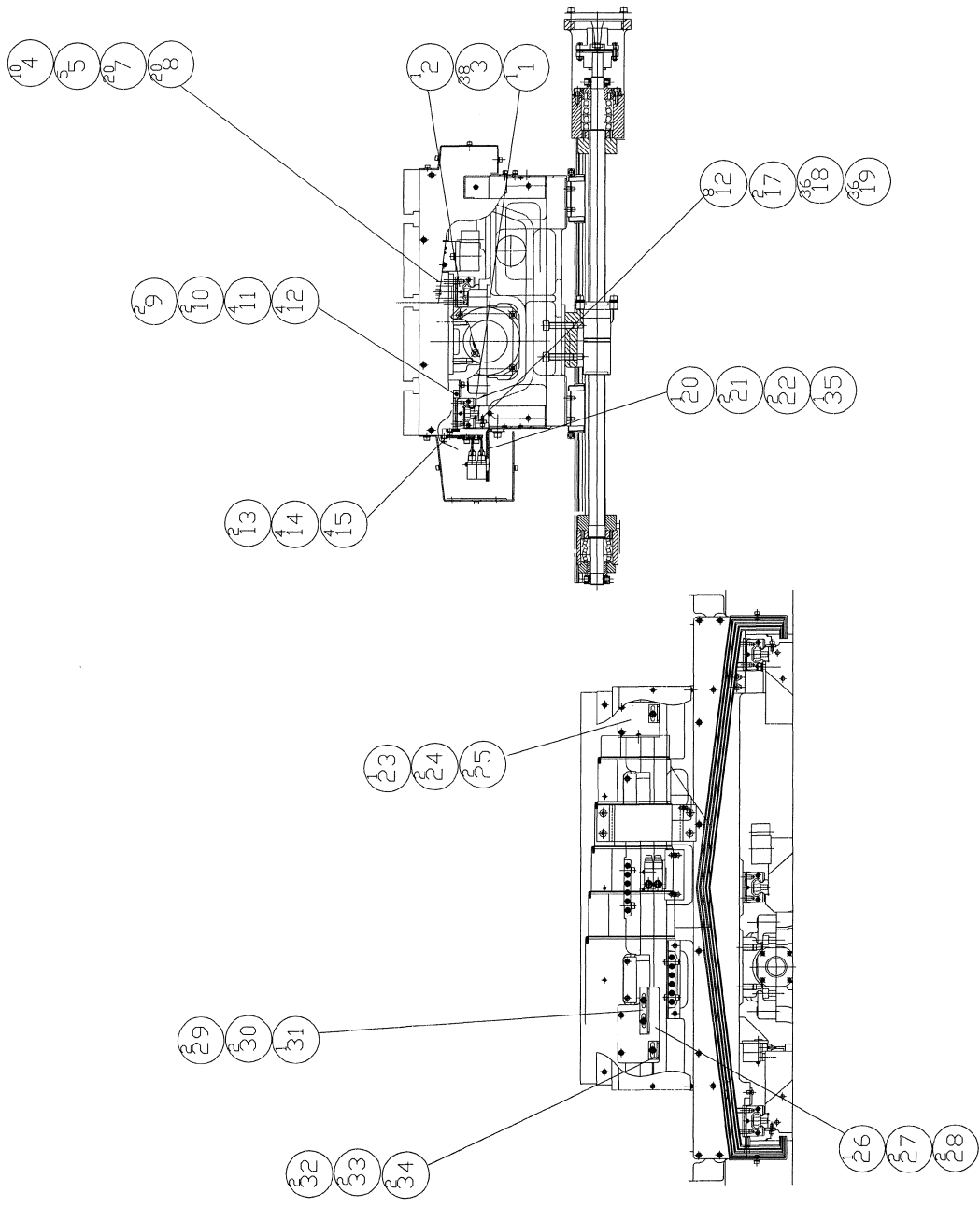
Description: X-AXIS POSITIONING(HI-TORQUE)
X軸定位(高扭力)

Item	Part NO.	Description	中文名稱	Specification	Qty	Unit
1.00	NV 000831606A	LINEAR GUIDE, X-AXIS(HI-TORQUE)	X軸線性滑軌(高扭力)	[NSK]LA30 1124 AN C2-P53	1.00	ST
2.00	NV 000831605A	LINEAR GUIDE, X-AXIS(HI-TORQUE)	X軸線性滑軌(高扭力)	[NSK]LA30 0774 AN C1-P53	1.00	ST
3.00	MS 0103820	SOCKET HEAD CAP SCREW	六角穴圓頭螺絲	M8xP1.25xL30	38.00	EA
4.00	NV 001108324A	SHIM, TRUCK	墊片	L33xW58xT0.23	10.00	EA
5.00	NV 001033101A	PLUG, TABLE	防塵蓋	[STAR]1605-400-90(Φ20)	5.00	EA
7.00	MS 0103823	SOCKET HEAD CAP SCREW	六角穴圓頭螺絲	M8xP1.25xL45	20.00	EA
8.00	NV 001033100A	PLUG, LINEAR GUIDE	防塵蓋	[STAR]1605-300-90(Φ15)	20.00	EA
9.00	NV 000648100A	GIB, GUIDE TRUCK	調整塊	L76xW10xH15	2.00	EA
10.00	NV 000199038A	RETAINER, GIB SHIM	壓板	L76xW32xH2.3	2.00	EA
11.00	MS 0103617	SOCKET HEAD CAP SCREW	六角穴圓頭螺絲	M6xP1.0xL16	4.00	EA
12.00	MW 0183610	SPRING WASHER	彈簧墊圈	M6	4.00	EA
13.00	NV 000199037A	RETAINER	壓板	L88xW25XH5	2.00	EA
14.00	MS 0103617	SOCKET HEAD CAP SCREW	六角穴圓頭螺絲	M6xP1.0xL16	4.00	EA
15.00	MW 0103610	FLAT WASHER	平墊圈	M6(d6*D19*H2)	4.00	EA
16.00	NV 000199035A	RETAINER, GUIDE RAIL	壓板	L180xW19xH5	8.00	EA
17.00	NV 000199036A	RETAINER, GUIDE RAIL	壓板	L96xW19xH5	2.00	EA
18.00	MS 0103517	SOCKET HEAD CAP SCREW	六角穴圓頭螺絲	M5xP0.8xL16	28.00	EA
19.00	MW 0103510	FLAT WASHER	平墊圈	M5	28.00	EA
20.00	NV 000199027A	SEAT, SWITCH	開關座	L101xW95xH40	1.00	EA
21.00	MS 0103424	SOCKET HEAD CAP SCREW	六角穴圓頭螺絲	M4xP0.7xL50	2.00	EA

PRODUCT BOM MASTER AND SUB-ITEMS LIST

Item Part NO.	Description	中文名稱	Specification	Qty	Unit
22.00 MW 0183410	SPRING WASHER	彈簧墊圈	M4	2.00	EA
23.00 NV 000199021A	SEAT, DOG	終點定位座	L81xW68xH5	1.00	EA
24.00 MS 0103617	SOCKET HEAD CAP SCREW	六角穴圓頭螺絲	M6xP1.0xL16	2.00	EA
25.00 MW 0183610	SPRING WASHER	彈簧墊圈	M6	2.00	EA
26.00 NV 000199022A	SEAT, ORIGIN DOG	原點定位座	L145xW81xH5	1.00	EA
27.00 MS 0103617	SOCKET HEAD CAP SCREW	六角穴圓頭螺絲	M6xP1.0xL16	2.00	EA
28.00 MW 0183610	SPRING WASHER	彈簧墊圈	M6	2.00	EA
29.00 MS 0103615	SOCKET HEAD CAP SCREW	六角穴圓頭螺絲	M6xP1.0xL10	2.00	EA
30.00 MW 0183610	SPRING WASHER	彈簧墊圈	M6	2.00	EA
31.00 NV 000199024A	ORIGIN DOG	原點定位塊	L90xW19xH20	1.00	EA
32.00 MS 0103615	SOCKET HEAD CAP SCREW	六角穴圓頭螺絲	M6xP1.0xL10	2.00	EA
33.00 MW 0183610	SPRING WASHER	彈簧墊圈	M6	2.00	EA
34.00 NV 000199023A	DOG	終點定位塊	L35xW19xH20	2.00	EA
35.00 NVA000199034A	PLATE	固定板	L45xW10xH5	1.00	EA

REV	DESCRIPTION	DATE	ECN
B	35#2#NV/A00019024A	2007/2/15	TN00666
C	NVA00108300A-->NV_00108324A	2007/2/15	TN00946



(HI-TORQUE)

MODEL: VMC800	PART NUMBER
PART NAME	NV_000004601BT
X-AXIS POSITIONING<HI-TORQUE>	PAGE 1 OF 1
X轴定位<HI-TORQUE>	REV. C
DATE 2000/4/25	SCALE 1:1.4

PRODUCT BOM MASTER AND SUB-ITEMS LIST

Master Item Part NO.: NV 000004601BT

Description: X-AXIS POSITIONING(HI-TORQUE)

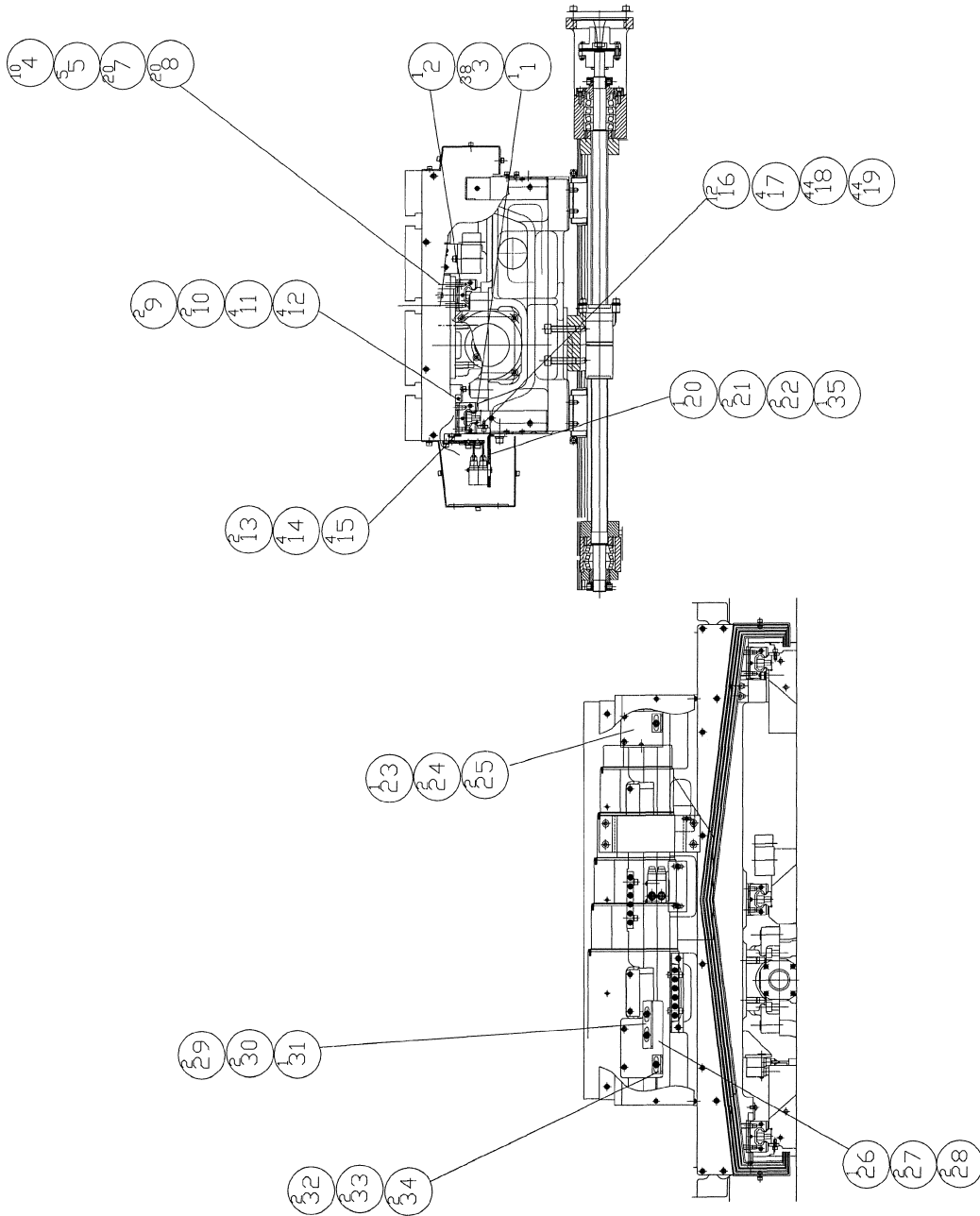
X軸定位(高扭力)

Item Part NO.	Description	中文名稱	Specification	Qty	Unit
1.00 NV 000831606B	LINEAR GUIDE, X-AXIS(HI-TORQUE)	X軸線性滑軌(高扭力)	[NSK]LA30 1399 AN C1-P53	1.00	ST
2.00 NV 000831605B	LINEAR GUIDE, X-AXIS(HI-TORQUE)	X軸線性滑軌(高扭力)	[NSK]LA30 0974 AN C2-P53	1.00	ST
3.00 MS 0103820	SOCKET HEAD CAP SCREW	六角穴圓頭螺絲	M8xP1.25xL30	38.00	EA
4.00 NV 001108324A	SHIM, TRUCK	墊片	L33xW58xT0.23	10.00	EA
5.00 NV 001033101A	PLUG, TABLE	防塵蓋	[STAR]1605-400-90(Φ20)	5.00	EA
7.00 MS 0103823	SOCKET HEAD CAP SCREW	六角穴圓頭螺絲	M8xP1.25xL45	20.00	EA
8.00 NV 001033100A	PLUG, LINEAR GUIDE	防塵蓋	[STAR]1605-300-90(Φ15)	20.00	EA
9.00 NV 000648100A	GIB, GUIDE TRUCK	調整塊	L76xW10xH15	2.00	EA
10.00 NV 000199038A	RETAINER, GIB SHIM	壓板	L76xW32xH2.3	2.00	EA
11.00 MS 0103617	SOCKET HEAD CAP SCREW	六角穴圓頭螺絲	M6xP1.0xL16	4.00	EA
12.00 MW 0183610	SPRING WASHER	彈簧墊圈	M6	4.00	EA
13.00 NV 000199037A	RETAINER	壓板	L88xW25XH5	2.00	EA
14.00 MS 0103617	SOCKET HEAD CAP SCREW	六角穴圓頭螺絲	M6xP1.0xL16	4.00	EA
15.00 MW 0103610	FLAT WASHER	平墊圈	M6(d6*D19*H2)	4.00	EA
16.00 NV 000199035A	RETAINER, GUIDE RAIL	壓板	L180xW19xH5	12.00	EA
17.00 NV 000199036A	RETAINER, GUIDE RAIL	壓板	L96xW19xH5	4.00	EA
18.00 MS 0103517	SOCKET HEAD CAP SCREW	六角穴圓頭螺絲	M5xP0.8xL16	36.00	EA
19.00 MW 0103510	FLAT WASHER	平墊圈	M5	36.00	EA
20.00 NV 000199027A	SEAT, SWITCH	開關座	L101xW95xH40	1.00	EA
21.00 MS 0103424	SOCKET HEAD CAP SCREW	六角穴圓頭螺絲	M4xP0.7xL50	2.00	EA

PRODUCT BOM MASTER AND SUB-ITEMS LIST

Item	Part NO.	Description	中文名稱	Specification	Qty	Unit
22.00	MW 0183410	SPRING WASHER	彈簧墊圈	M4	2.00	EA
23.00	NV 000199021A	SEAT, DOG	終點定位座	L81xW68xH5	1.00	EA
24.00	MS 0103617	SOCKET HEAD CAP SCREW	六角穴圓頭螺絲	M6xP1.0xL16	2.00	EA
25.00	MW 0183610	SPRING WASHER	彈簧墊圈	M6	2.00	EA
26.00	NV 000199022A	SEAT, ORIGIN DOG	原點定位座	L145xW81xH5	1.00	EA
27.00	MS 0103617	SOCKET HEAD CAP SCREW	六角穴圓頭螺絲	M6xP1.0xL16	2.00	EA
28.00	MW 0183610	SPRING WASHER	彈簧墊圈	M6	2.00	EA
29.00	MS 0103615	SOCKET HEAD CAP SCREW	六角穴圓頭螺絲	M6xP1.0xL10	2.00	EA
30.00	MW 0183610	SPRING WASHER	彈簧墊圈	M6	2.00	EA
31.00	NV 000199024A	ORIGIN DOG	原點定位塊	L90xW19xH20	1.00	EA
32.00	MS 0103615	SOCKET HEAD CAP SCREW	六角穴圓頭螺絲	M6xP1.0xL10	2.00	EA
33.00	MW 0183610	SPRING WASHER	彈簧墊圈	M6	2.00	EA
34.00	NV 000199023A	DOG	終點定位塊	L35xW19xH20	2.00	EA
35.00	NVA000199034A	PLATE	固定板	L45xW10xH5	1.00	EA

REV	DESCRIPTION	DATE	ECN
B	3.5 軸受 NV/A00019034A	2001/5/18	INV026C
C	NV/A00108300A→NV_00108344A	2001/7/13	INV034C



(HI-TORQUE)

MODEL	VNC1000
PART NAME	X-AXIS POSITIONING<HI-TORQUE> X軸定位<HI-TORQUE>
PART NUMBER	NV_000004601CT
DATE	2000/4/25
SCALE	1:14
PAGE	1 OF 1
REV.	C

PRODUCT BOM MASTER AND SUB-ITEMS LIST

Master Item Part NO.: NV 000004601CT

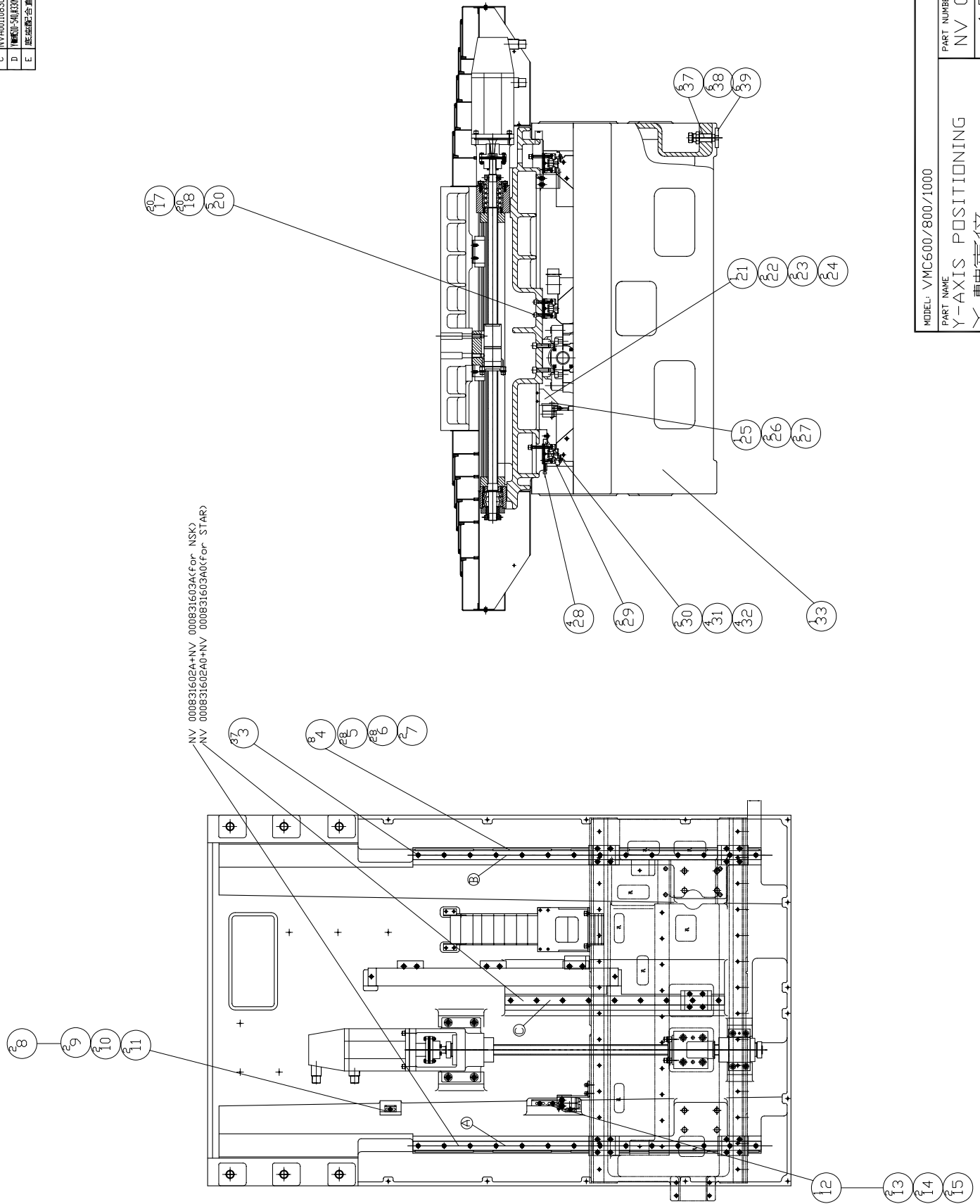
Description: X-AXIS POSITIONING(HI-TORQUE)
X軸定位(高扭力)

Item	Part NO.	Description	中文名稱	Specification	Qty	Unit
1.00	NV 000831606C	LINEAR GUIDE, X-AXIS(HI-TORQUE)	X軸線性滑軌(高扭力)	[NSK]LA30 1774 AN C2-P53	1.00	ST
2.00	NV 000831605C	LINEAR GUIDE, X-AXIS(HI-TORQUE)	X軸線性滑軌(高扭力)	[NSK]LA30 1194 AN C1-P53	1.00	ST
3.00	MS 0103820	SOCKET HEAD CAP SCREW	六角穴圓頭螺絲	M8xP1.25xL30	38.00	EA
4.00	NV 001108324A	SHIM, TRUCK	墊片	L33xW58xT0.23	10.00	EA
5.00	NV 001033101A	PLUG, TABLE	防塵蓋	[STAR]1605-400-90(Φ20)	5.00	EA
7.00	MS 0103823	SOCKET HEAD CAP SCREW	六角穴圓頭螺絲	M8xP1.25xL45	20.00	EA
8.00	NV 001033100A	PLUG, LINEAR GUIDE	防塵蓋	[STAR]1605-300-90(Φ15)	20.00	EA
9.00	NV 000648100A	GIB, GUIDE TRUCK	調整塊	L76xW10xH15	2.00	EA
10.00	NV 000199038A	RETAINER, GIB SHIM	壓板	L76xW32xH2.3	2.00	EA
11.00	MS 0103617	SOCKET HEAD CAP SCREW	六角穴圓頭螺絲	M6xP1.0xL16	4.00	EA
12.00	MW 0183610	SPRING WASHER	彈簧墊圈	M6	4.00	EA
13.00	NV 000199037A	RETAINER	壓板	L88xW25XH5	2.00	EA
14.00	MS 0103617	SOCKET HEAD CAP SCREW	六角穴圓頭螺絲	M6xP1.0xL16	4.00	EA
15.00	MW 0103610	FLAT WASHER	平墊圈	M6(d6*D19*H2)	4.00	EA
16.00	NV 000199035A	RETAINER, GUIDE RAIL	壓板	L180xW19xH5	12.00	EA
17.00	NV 000199036A	RETAINER, GUIDE RAIL	壓板	L96xW19xH5	4.00	EA
18.00	MS 0103517	SOCKET HEAD CAP SCREW	六角穴圓頭螺絲	M5xP0.8xL16	44.00	EA
19.00	MW 0103510	FLAT WASHER	平墊圈	M5	44.00	EA
20.00	NV 000199027A	SEAT, SWITCH	開關座	L101xW95xH40	1.00	EA
21.00	MS 0103424	SOCKET HEAD CAP SCREW	六角穴圓頭螺絲	M4xP0.7xL50	2.00	EA

PRODUCT BOM MASTER AND SUB-ITEMS LIST

Item	Part NO.	Description	中文名稱	Specification	Qty	Unit
22.00	MW 0183410	SPRING WASHER	彈簧墊圈	M4	2.00	EA
23.00	NV 000199021A	SEAT, DOG	終點定位座	L81xW68xH5	1.00	EA
24.00	MS 0103617	SOCKET HEAD CAP SCREW	六角穴圓頭螺絲	M6xP1.0xL16	2.00	EA
25.00	MW 0183610	SPRING WASHER	彈簧墊圈	M6	2.00	EA
26.00	NV 000199022A	SEAT, ORIGIN DOG	原點定位座	L145xW81xH5	1.00	EA
27.00	MS 0103617	SOCKET HEAD CAP SCREW	六角穴圓頭螺絲	M6xP1.0xL16	2.00	EA
28.00	MW 0183610	SPRING WASHER	彈簧墊圈	M6	2.00	EA
29.00	MS 0103615	SOCKET HEAD CAP SCREW	六角穴圓頭螺絲	M6xP1.0xL10	2.00	EA
30.00	MW 0183610	SPRING WASHER	彈簧墊圈	M6	2.00	EA
31.00	NV 000199024A	ORIGIN DOG	原點定位塊	L90xW19xH20	1.00	EA
32.00	MS 0103615	SOCKET HEAD CAP SCREW	六角穴圓頭螺絲	M6xP1.0xL10	2.00	EA
33.00	MW 0183610	SPRING WASHER	彈簧墊圈	M6	2.00	EA
34.00	NV 000199023A	DOG	終點定位塊	L35xW19xH20	2.00	EA
35.00	NVA000199034A	PLATE	固定板	L45xW10xH5	1.00	EA

REV	DESCRIPTION	DATE	ECN
B	25 400019034A 2007/5/15	2007/5/15	TN/026
C	NV 400108300A--NV 00108300A 2007/9/13	2007/9/13	TN/024
D	70001-501E320000000-NV000000000 2006/5/21	2006/5/21	9
E	底座配合面 磨研金, 孔位修整 2007/10/3	2007/10/3	8-4



MODEL: VMC600/800/1000

PART NAME
 Y-AXIS POSITIONING
 Y 串軸定位

PART NUMBER
 NV 000004603A

PAGE 1 OF 1

REV. E

SCALE 1:17

DATE 1999/6/8
 DRAWN BY
 CHECKED BY

PRODUCT BOM MASTER AND SUB-ITEMS LIST

Master Item Part NO.: NV 000004603A

Description: Y-AXIS POSITIONING

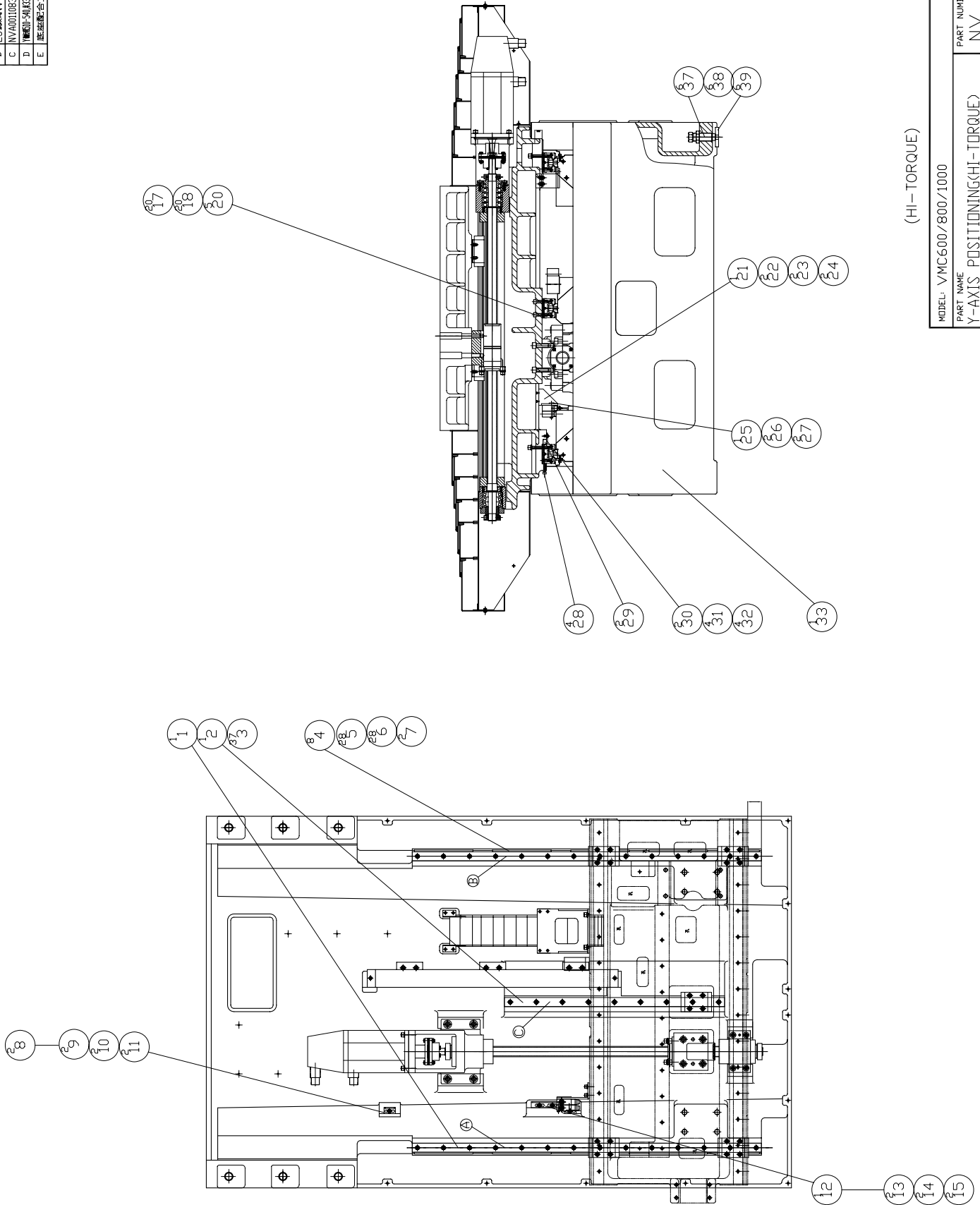
Y軸定位

Item	Part NO.	Description	中文名稱	Specification	Qty	Unit
3.00	MS 0103820	SOCKET HEAD CAP SCREW	六角穴圓頭螺絲	M8xP1.25xL30	37.00	EA
4.00	NV 000199035A	RETAINER, GUIDE RAIL	壓板	L180xW19xH5	8.00	EA
5.00	MS 0103517	SOCKET HEAD CAP SCREW	六角穴圓頭螺絲	M5xP0.8xL16	28.00	EA
6.00	MW 0183510	SPRING WASHER	彈簧墊圈	M5	28.00	EA
7.00	NV 000199036A	RETAINER, GUIDE RAIL	壓板	L96xW19xH5	2.00	EA
8.00	NV 000199023A	DOG	終點定位塊	L35xW19xH20	2.00	EA
9.00	MS 0103617	SOCKET HEAD CAP SCREW	六角穴圓頭螺絲	M6xP1.0xL16	2.00	EA
10.00	MW 0103610	FLAT WASHER	平墊圈	M6(d6*D19*H2)	2.00	EA
11.00	MW 0183610	SPRING WASHER	彈簧墊圈	M6	2.00	EA
12.00	NV 000199024A	ORIGIN DOG	原點定位塊	L90xW19xH20	1.00	EA
13.00	MS 0103617	SOCKET HEAD CAP SCREW	六角穴圓頭螺絲	M6xP1.0xL16	2.00	EA
14.00	MW 0103610	FLAT WASHER	平墊圈	M6(d6*D19*H2)	2.00	EA
15.00	MW 0183610	SPRING WASHER	彈簧墊圈	M6	2.00	EA
17.00	MS 0103823	SOCKET HEAD CAP SCREW	六角穴圓頭螺絲	M8xP1.25xL45	20.00	EA
18.00	MW 0183810	SPRING WASHER	彈簧墊圈	M8	20.00	EA
20.00	NVA001108300A	SHIM, TRUCK	墊片	L58xW67xT0.23	5.00	EA
21.00	NV 000199026A	SEAT, SWITCH	開關座	L110xW50xH80	1.00	EA
22.00	MS 0103618	SOCKET HEAD CAP SCREW	六角穴圓頭螺絲	M6xP1.0xL20	2.00	EA
23.00	MW 0103610	FLAT WASHER	平墊圈	M6(d6*D19*H2)	2.00	EA
24.00	MW 0183610	SPRING WASHER	彈簧墊圈	M6	2.00	EA

PRODUCT BOM MASTER AND SUB-ITEMS LIST

Item	Part NO.	Description	中文名稱	Specification	Qty	Unit
25.00	NVA000199034A	PLATE	固定板	L45xW10xH5	1.00	EA
26.00	MS 0103426	SOCKET HEAD CAP SCREW	六角穴圓頭螺絲	M4xP0.7xL60	2.00	EA
27.00	MW 0183410	SPRING WASHER	彈簧墊圈	M4	2.00	EA
28.00	MS 0103619	SOCKET HEAD CAP SCREW	六角穴圓頭螺絲	M6xP1.0xL25	4.00	EA
29.00	NV 000648100A	GIB, GUIDE TRUCK	調整塊	L76xW10xH15	2.00	EA
30.00	NV 000199038A	RETAINER, GIB SHIM	壓板	L76xW32xH2.3	2.00	EA
31.00	MS 0103617	SOCKET HEAD CAP SCREW	六角穴圓頭螺絲	M6xP1.0xL16	4.00	EA
32.00	MW 0183610	SPRING WASHER	彈簧墊圈	M6	4.00	EA
33.02	NVB000390000A	MACHINE BASE	底座	L1796xW1161xH570	1.00	EA
37.00	NV 000668409A	SCREW, LEVELING	水平調整螺絲	W32xL87*P2	6.00	EA
38.00	NV 000049212A	NUT	螺帽	W41xL10	6.00	EA
39.00	NV 300199020A	PAD	墊塊	D100xL30	6.00	EA

REV	DESCRIPTION	DATE	ECN
B	25 機軸 NV/A0019034A	2007/5/15	TN/026
C	NV/A00108300A-->NV/00108324A	2007/9/13	TN/034B
D	機軸 NV/A00108300A-->NV/A00108300A	2006/5/21	9
E	機軸配合部 機軸金、孔位修補	2007/10/3	8-4



(HI-TORQUE)

MODEL: VMC600/800/1000

PART NAME Y-AXIS POSITIONING<HI-TORQUE>

Y 軸定位<HI-TORQUE>

PART NUMBER NV 000004603AT

PAGE 1 OF 1

REV. E

DATE 2000/4/25

SCALE 1:17

REV. E

SCALE 1:17

DATE 2000/4/25

SCALE 1:17

DATE 2000/4/25

SCALE 1:17

PRODUCT BOM MASTER AND SUB-ITEMS LIST

Master Item Part NO.: NV 000004603AT

Description: Y-AXIS POSITIONING(HI-TORQUE)

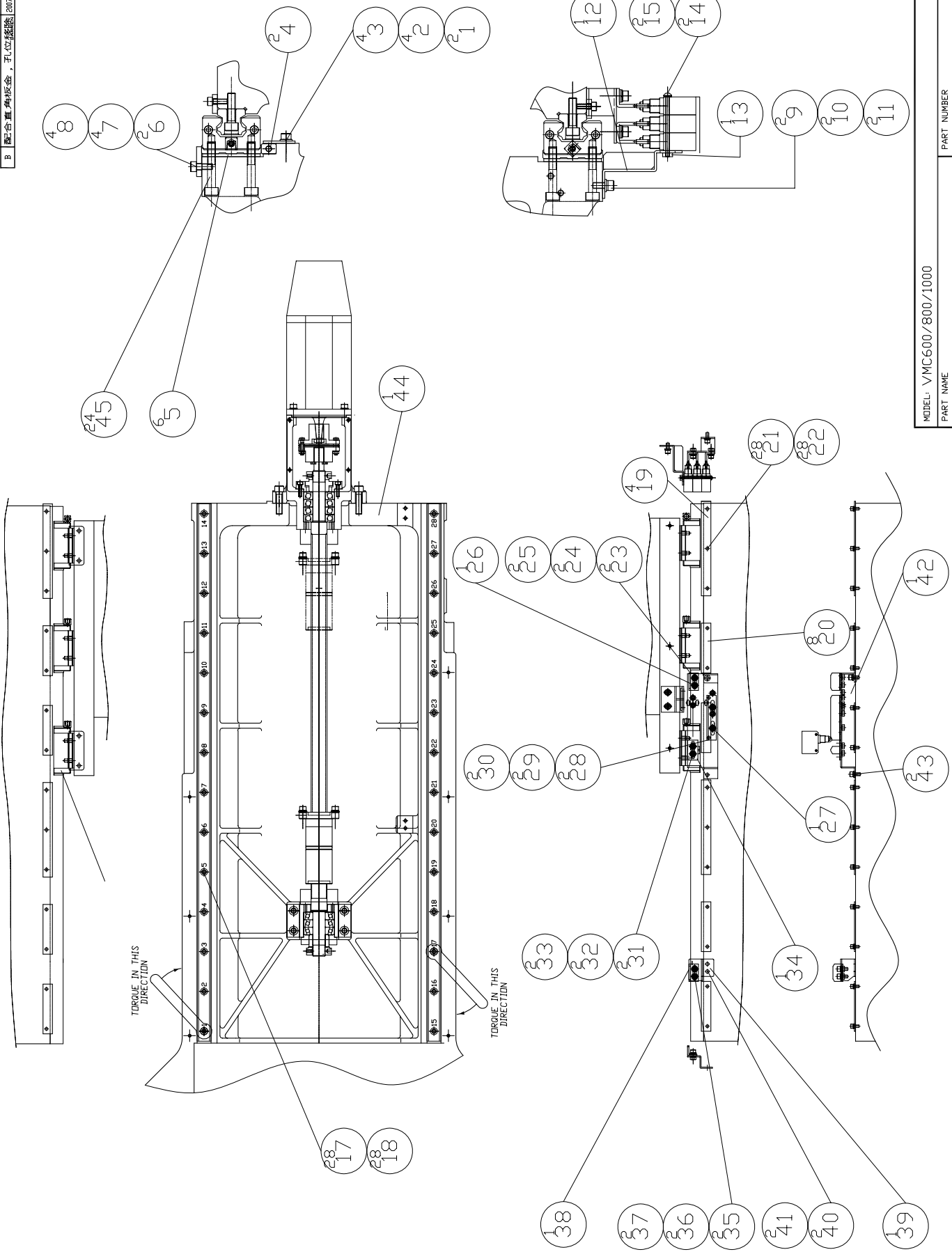
Y軸定位(高扭力)

Item	Part NO.	Description	中文名稱	Specification	Qty	Unit
1.00	NV 000831608A	LINEAR GUIDE, Y-AXIS(HI-TORQUE)	Y軸線性滑軌(高扭力)	[NSK]LA30 1072 AN C2-P53	1.00	ST
2.00	NV 000831607A	LINEAR GUIDE, Y-AXIS(HI-TORQUE)	Y軸線性滑軌(高扭力)	[NSK]LA30 0676 AN C1-P53	1.00	ST
3.00	MS 0103820	SOCKET HEAD CAP SCREW	六角穴圓頭螺絲	M8xP1.25xL30	37.00	EA
4.00	NV 000199035A	RETAINER, GUIDE RAIL	壓板	L180xW19xH5	8.00	EA
5.00	MS 0103517	SOCKET HEAD CAP SCREW	六角穴圓頭螺絲	M5xP0.8xL16	28.00	EA
6.00	MW 0183510	SPRING WASHER	彈簧墊圈	M5	28.00	EA
7.00	NV 000199036A	RETAINER, GUIDE RAIL	壓板	L96xW19xH5	2.00	EA
8.00	NV 000199023A	DOG	終點定位塊	L35xW19xH20	2.00	EA
9.00	MS 0103617	SOCKET HEAD CAP SCREW	六角穴圓頭螺絲	M6xP1.0xL16	2.00	EA
10.00	MW 0103610	FLAT WASHER	平墊圈	M6(d6*D19*H2)	2.00	EA
11.00	MW 0183610	SPRING WASHER	彈簧墊圈	M6	2.00	EA
12.00	NV 000199024A	ORIGIN DOG	原點定位塊	L90xW19xH20	1.00	EA
13.00	MS 0103617	SOCKET HEAD CAP SCREW	六角穴圓頭螺絲	M6xP1.0xL16	2.00	EA
14.00	MW 0103610	FLAT WASHER	平墊圈	M6(d6*D19*H2)	2.00	EA
15.00	MW 0183610	SPRING WASHER	彈簧墊圈	M6	2.00	EA
17.00	MS 0103823	SOCKET HEAD CAP SCREW	六角穴圓頭螺絲	M8xP1.25xL45	20.00	EA
18.00	MW 0183810	SPRING WASHER	彈簧墊圈	M8	20.00	EA
20.00	NVA001108300A	SHIM, TRUCK	墊片	L58xW67xT0.23	5.00	EA
21.00	NV 000199026A	SEAT, SWITCH	開關座	L110xW50xH80	1.00	EA
22.00	MS 0103618	SOCKET HEAD CAP SCREW	六角穴圓頭螺絲	M6xP1.0xL20	2.00	EA

PRODUCT BOM MASTER AND SUB-ITEMS LIST

Item	Part NO.	Description	中文名稱	Specification	Qty	Unit
23.00	MW 0103610	FLAT WASHER	平墊圈	M6(d6*D19*H2)	2.00	EA
24.00	MW 0183610	SPRING WASHER	彈簧墊圈	M6	2.00	EA
25.00	NVA000199034A	PLATE	固定板	L45xW10xH5	1.00	EA
26.00	MS 0103426	SOCKET HEAD CAP SCREW	六角穴圓頭螺絲	M4xP0.7xL60	2.00	EA
27.00	MW 0183410	SPRING WASHER	彈簧墊圈	M4	2.00	EA
28.00	MS 0103619	SOCKET HEAD CAP SCREW	六角穴圓頭螺絲	M6xP1.0xL25	4.00	EA
29.00	NV 000648100A	GIB, GUIDE TRUCK	調整塊	L76xW10xH15	2.00	EA
30.00	NV 000199038A	RETAINER, GIB SHIM	壓板	L76xW32xH2.3	2.00	EA
31.00	MS 0103617	SOCKET HEAD CAP SCREW	六角穴圓頭螺絲	M6xP1.0xL16	4.00	EA
32.00	MW 0183610	SPRING WASHER	彈簧墊圈	M6	4.00	EA
33.02	NVB000390000A	MACHINE BASE	底座	L1796xW1161xH570	1.00	EA
37.00	NV 000668409A	SCREW, LEVELING	水平調整螺絲	W32xL87*P2	6.00	EA
38.00	NV 000049212A	NUT	螺帽	W41xL10	6.00	EA
39.00	NV 300199020A	PAD	墊塊	D100xL30	6.00	EA

REV	DESCRIPTION	DATE	ECN
A	Z軸付帯品10-540	2007/1/17	339
B	配合変更対応品、孔位変更	2007/10/23	43



MODEL: VMC600/800/1000	PART NUMBER: NVA000004701A
PART NAME: Z-AXIS POSITIONING	PAGE: 1 OF 1
DATE: 1999/5/11	REV: B
DATE: 1999/5/11	SCALE: 1:1
GARY P.H.L.	

PRODUCT BOM MASTER AND SUB-ITEMS LIST

Master Item Part NO.: NVA000004701A

Description: Z-AXIS POSITIONING
Z軸定位

Item	Part NO.	Description	中文名稱	Specification	Qty	Unit
1.00	NV 000199038A	RETAINER, GIB SHIM	壓板	L76xW32xH2.3	2.00	EA
2.00	MS 0103617	SOCKET HEAD CAP SCREW	六角穴圓頭螺絲	M6xP1.0xL16	4.00	EA
3.00	MW 0183610	SPRING WASHER	彈簧墊圈	M6	4.00	EA
4.00	NV 000648100A	GIB, GUIDE TRUCK	調整塊	L76xW10xH15	2.00	EA
5.01	NV 001108310A	SHIM, Z-AXIS TRUCK	Z軸墊片	L58xW70xT2.76	6.00	EA
6.00	NV 000199059J	RETAINER, TRUCK	Z軸滑塊壓板	L78xW30xH5	2.00	EA
7.00	MS 0103618	SOCKET HEAD CAP SCREW	六角穴圓頭螺絲	M6xP1.0xL20	4.00	EA
8.00	MW 0183610	SPRING WASHER	彈簧墊圈	M6	4.00	EA
9.00	MS 0103617	SOCKET HEAD CAP SCREW	六角穴圓頭螺絲	M6xP1.0xL16	2.00	EA
10.00	MW 0183610	SPRING WASHER	彈簧墊圈	M6	2.00	EA
11.00	MW 0103610	FLAT WASHER	平墊圈	M6(d6*D19*H2)	2.00	EA
12.00	NVA000199001A	SEAT, SWITCH	開關固定座	L75xW52xH45	1.00	EA
13.00	NVA000199034A	PLATE	固定板	L45xW10xH5	1.00	EA
14.00	MS 0103427	SOCKET HEAD CAP SCREW	六角穴圓頭螺絲	M4xP0.7xL65	2.00	EA
15.00	MW 0183410	SPRING WASHER	彈簧墊圈	M4	2.00	EA
17.00	MS 0103820	SOCKET HEAD CAP SCREW	六角穴圓頭螺絲	M8xP1.25xL30	28.00	EA
18.00	NV 001033100A	PLUG, LINEAR GUIDE	防塵蓋	[STAR]1605-300-90(Φ15)	28.00	EA
19.00	NV 000199035A	RETAINER, GUIDE RAIL	壓板	L180xW19xH5	4.00	EA
20.00	NV 000199036A	RETAINER, GUIDE RAIL	壓板	L96xW19xH5	8.00	EA
21.00	MS 0103517	SOCKET HEAD CAP SCREW	六角穴圓頭螺絲	M5xP0.8xL16	28.00	EA

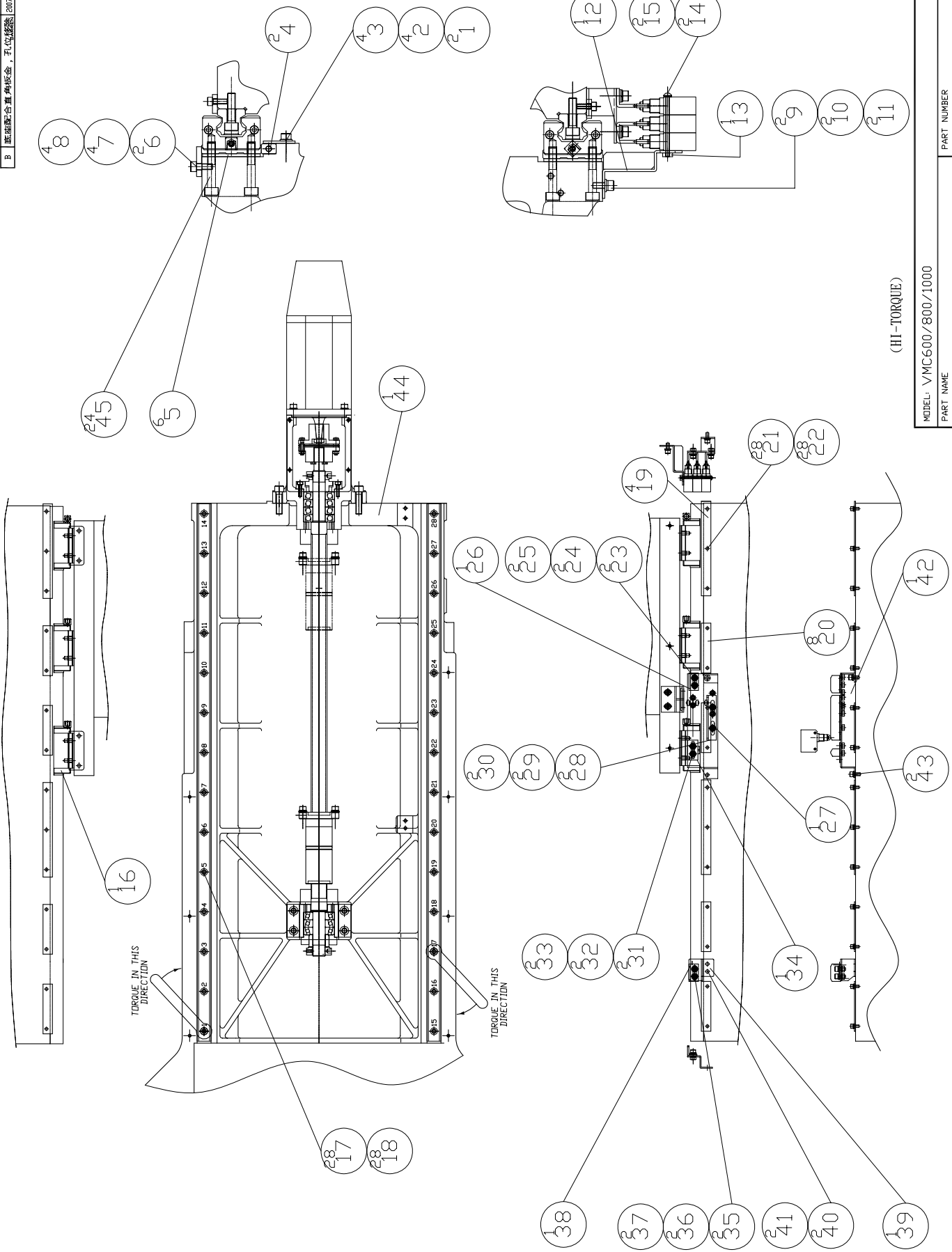
PRODUCT BOM MASTER AND SUB-ITEMS LIST

Item Part NO.	Description	中文名稱	Specification	Qty	Unit
22.00 MW 0183510	SPRING WASHER	彈簧墊圈	M5	28.00	EA
23.00 NV 000417305A	FLAT WASHER	M6平墊圈	M6 FLAT WASHER(d6xD13xt2)	2.00	EA
24.00 MW 0183610	SPRING WASHER	彈簧墊圈	M6	2.00	EA
25.00 MS 0103616	SOCKET HEAD CAP SCREW	六角穴圓頭螺絲	M6xP1.0xL12	2.00	EA
26.00 NV 000199023A	DOG	終點定位塊	L35xW19xH20	1.00	EA
27.00 NV 000199024A	ORIGIN DOG	原點定位塊	L90xW19xH20	1.00	EA
28.00 MS 0103616	SOCKET HEAD CAP SCREW	六角穴圓頭螺絲	M6xP1.0xL12	2.00	EA
29.00 MW 0183610	SPRING WASHER	彈簧墊圈	M6	2.00	EA
30.00 NV 000417305A	FLAT WASHER	M6平墊圈	M6 FLAT WASHER(d6xD13xt2)	2.00	EA
31.00 NV 000417305A	FLAT WASHER	M6平墊圈	M6 FLAT WASHER(d6xD13xt2)	2.00	EA
32.00 MW 0183610	SPRING WASHER	彈簧墊圈	M6	2.00	EA
33.00 MS 0103617	SOCKET HEAD CAP SCREW	六角穴圓頭螺絲	M6xP1.0xL16	2.00	EA
34.00 NV 000199004A	DOG, ATC ORIGIN	換刀原點塊	L40XW24XH20	1.00	EA
35.00 NV 000417305A	FLAT WASHER	M6平墊圈	M6 FLAT WASHER(d6xD13xt2)	2.00	EA
36.00 MW 0183610	SPRING WASHER	彈簧墊圈	M6	2.00	EA
37.00 MS 0103616	SOCKET HEAD CAP SCREW	六角穴圓頭螺絲	M6xP1.0xL12	2.00	EA
38.00 NV 000199023A	DOG	終點定位塊	L35xW19xH20	1.00	EA
39.01 NV 000799096A	SEAT, DOG	DOG固定板	L50xW46xH30	1.00	EA
40.00 MS 0103617	SOCKET HEAD CAP SCREW	六角穴圓頭螺絲	M6xP1.0xL16	2.00	EA
41.00 MW 0183610	SPRING WASHER	彈簧墊圈	M6	2.00	EA
42.01 NV 000899006A	BRACKET, SWITCH	換刀原點固定板	L210.8xW61xH30	1.00	EA
43.00 MW 0183610	SPRING WASHER	彈簧墊圈	M6	2.00	EA
44.03 NVA000184300A	COLUMN	立柱	L1520XW1141XH525	1.00	EA

PRODUCT BOM MASTER AND SUB-ITEMS LIST

Item	Part NO.	Description	中文名稱	Specification	Qty	Unit
45.00	MS 0103823	SOCKET HEAD CAP SCREW	六角穴圓頭螺絲	M8xP1.25xL45	24.00	EA

REV	DESCRIPTION	DATE	ECN
A	Z 軸手車510-540	2007/1/17	339
B	基礎配合直角球金, 孔位調整	2007/10/23	43



(HI-TORQUE)

MODEL: VMC600/800/1000	PART NUMBER: NVA000004701AT
PART NAME: Z-AXIS POSITIONING<HI-TORQUE>	PAGE: 1 OF 1
Z 軸定位<HI-TORQUE>	REV: B
DATE: 2000/5/30	SCALE: 1:1

PRODUCT BOM MASTER AND SUB-ITEMS LIST

Master Item Part NO.: NVA000004701AT

Description: Z-AXIS POSITIONING(HI-TORQUE)
Z軸定位(HI-TORQUE)

Item	Part NO.	Description	中文名稱	Specification	Qty	Unit
1.00	NV 000199038A	RETAINER, GIB SHIM	壓板	L76xW32xH2.3	2.00	EA
2.00	MS 0103617	SOCKET HEAD CAP SCREW	六角穴圓頭螺絲	M6xP1.0xL16	4.00	EA
3.00	MW 0183610	SPRING WASHER	彈簧墊圈	M6	4.00	EA
4.00	NV 000648100A	GIB, GUIDE TRUCK	調整塊	L76xW10xH15	2.00	EA
5.01	NV 001108310A	SHIM, Z-AXIS TRUCK	Z軸墊片	L58xW70xT2.76	6.00	EA
6.00	NV 000199059J	RETAINER, TRUCK	Z軸滑塊壓板	L78xW30xH5	2.00	EA
7.00	MS 0103618	SOCKET HEAD CAP SCREW	六角穴圓頭螺絲	M6xP1.0xL20	4.00	EA
8.00	MW 0183610	SPRING WASHER	彈簧墊圈	M6	4.00	EA
9.00	MS 0103617	SOCKET HEAD CAP SCREW	六角穴圓頭螺絲	M6xP1.0xL16	2.00	EA
10.00	MW 0183610	SPRING WASHER	彈簧墊圈	M6	2.00	EA
11.00	MW 0103610	FLAT WASHER	平墊圈	M6(d6*D19*H2)	2.00	EA
12.00	NVA000199001A	SEAT, SWITCH	開關固定座	L75xW52xH45	1.00	EA
13.00	NVA000199034A	PLATE	固定板	L45xW10xH5	1.00	EA
14.00	MS 0103427	SOCKET HEAD CAP SCREW	六角穴圓頭螺絲	M4xP0.7xL65	2.00	EA
15.00	MW 0183410	SPRING WASHER	彈簧墊圈	M4	2.00	EA
16.00	NV 000831609A	LINEAR GUIDE, Z-AXIS(HI-TORQUE)	Z軸線性滑軌(高扭力)	[NSK]LA30 1080 AN C3-P54	1.00	ST
17.00	MS 0103820	SOCKET HEAD CAP SCREW	六角穴圓頭螺絲	M8xP1.25xL30	28.00	EA
18.00	NV 001033100A	PLUG, LINEAR GUIDE	防塵蓋	[STAR]1605-300-90(Φ15)	28.00	EA
19.00	NV 000199035A	RETAINER, GUIDE RAIL	壓板	L180xW19xH5	4.00	EA
20.00	NV 000199036A	RETAINER, GUIDE RAIL	壓板	L96xW19xH5	8.00	EA

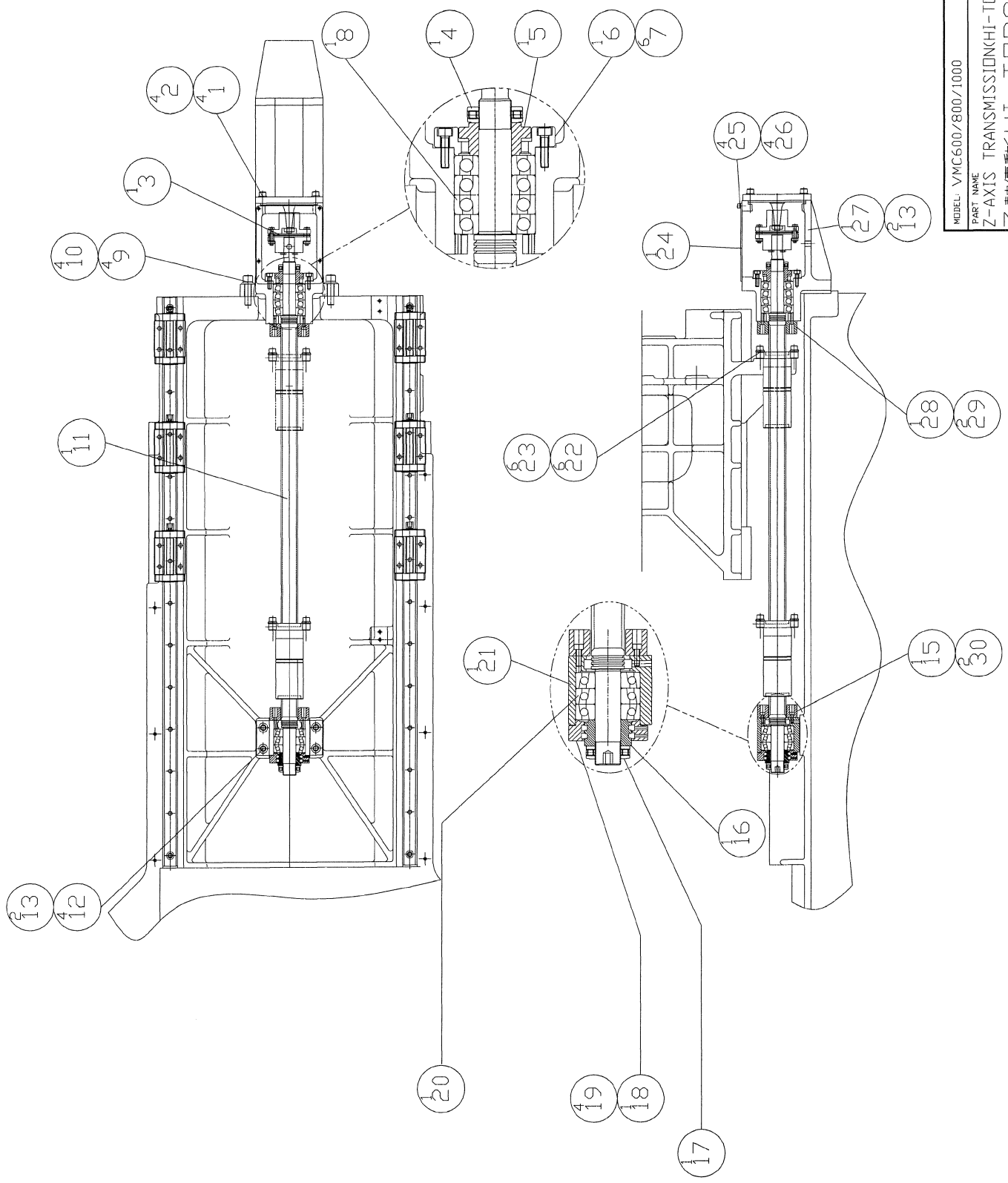
PRODUCT BOM MASTER AND SUB-ITEMS LIST

Item	Part NO.	Description	中文名稱	Specification	Qty	Unit
21.00	MS 0103517	SOCKET HEAD CAP SCREW	六角穴圓頭螺絲	M5xP0.8xL16	28.00	EA
22.00	MW 0183510	SPRING WASHER	彈簧墊圈	M5	28.00	EA
23.00	NV 000417305A	FLAT WASHER	M6平墊圈	M6 FLAT WASHER(d6xD13xt2)	2.00	EA
24.00	MW 0183610	SPRING WASHER	彈簧墊圈	M6	2.00	EA
25.00	MS 0103616	SOCKET HEAD CAP SCREW	六角穴圓頭螺絲	M6xP1.0xL12	2.00	EA
26.00	NV 000199023A	DOG	終點定位塊	L35xW19xH20	1.00	EA
27.00	NV 000199024A	ORIGIN DOG	原點定位塊	L90xW19xH20	1.00	EA
28.00	MS 0103616	SOCKET HEAD CAP SCREW	六角穴圓頭螺絲	M6xP1.0xL12	2.00	EA
29.00	MW 0183610	SPRING WASHER	彈簧墊圈	M6	2.00	EA
30.00	NV 000417305A	FLAT WASHER	M6平墊圈	M6 FLAT WASHER(d6xD13xt2)	2.00	EA
31.00	NV 000417305A	FLAT WASHER	M6平墊圈	M6 FLAT WASHER(d6xD13xt2)	2.00	EA
32.00	MW 0183610	SPRING WASHER	彈簧墊圈	M6	2.00	EA
33.00	MS 0103617	SOCKET HEAD CAP SCREW	六角穴圓頭螺絲	M6xP1.0xL16	2.00	EA
34.00	NV 000199004A	DOG, ATC ORIGIN	換刀原點塊	L40xW24xH20	1.00	EA
35.00	NV 000417305A	FLAT WASHER	M6平墊圈	M6 FLAT WASHER(d6xD13xt2)	2.00	EA
36.00	MW 0183610	SPRING WASHER	彈簧墊圈	M6	2.00	EA
37.00	MS 0103616	SOCKET HEAD CAP SCREW	六角穴圓頭螺絲	M6xP1.0xL12	2.00	EA
38.00	NV 000199023A	DOG	終點定位塊	L35xW19xH20	1.00	EA
39.01	NV 000799096A	SEAT, DOG	DOG固定板	L50xW46xH30	1.00	EA
40.00	MS 0103617	SOCKET HEAD CAP SCREW	六角穴圓頭螺絲	M6xP1.0xL16	2.00	EA
41.00	MW 0183610	SPRING WASHER	彈簧墊圈	M6	2.00	EA
42.01	NV 000899006A	BRACKET, SWITCH	換刀原點固定板	L210.8xW61xH30	1.00	EA
43.00	MW 0183610	SPRING WASHER	彈簧墊圈	M6	2.00	EA

PRODUCT BOM MASTER AND SUB-ITEMS LIST

Item	Part NO.	Description	中文名稱	Specification	Qty	Unit
44.03	NVA000184300A	COLUMN	立柱	L1520XW1141XH525	1.00	EA
45.00	MS 0103823	SOCKET HEAD CAP SCREW	六角穴圓頭螺絲	M8xP1.25xL45	24.00	EA

REV.	DESCRIPTION	DATE	ECN.
B	1/7/2006/08/01/15/5/8/27/28/11/1/2/3/4	2006/08/01	TNVDG00



MODEL: VMC600/800/1000	
PART NAME	PART NUMBER
Z-AXIS TRANSMISSION(HI-TORQUE)	NV 00004702AT
Z 串中高速 動水 HI-TORQUE	PAGE 1 OF 1
DATE 1999/5/11	REV. B
GARY TOM FHL	SCALE 1:1

PRODUCT BOM MASTER AND SUB-ITEMS LIST

Master Item Part NO.: NV 000004702AT

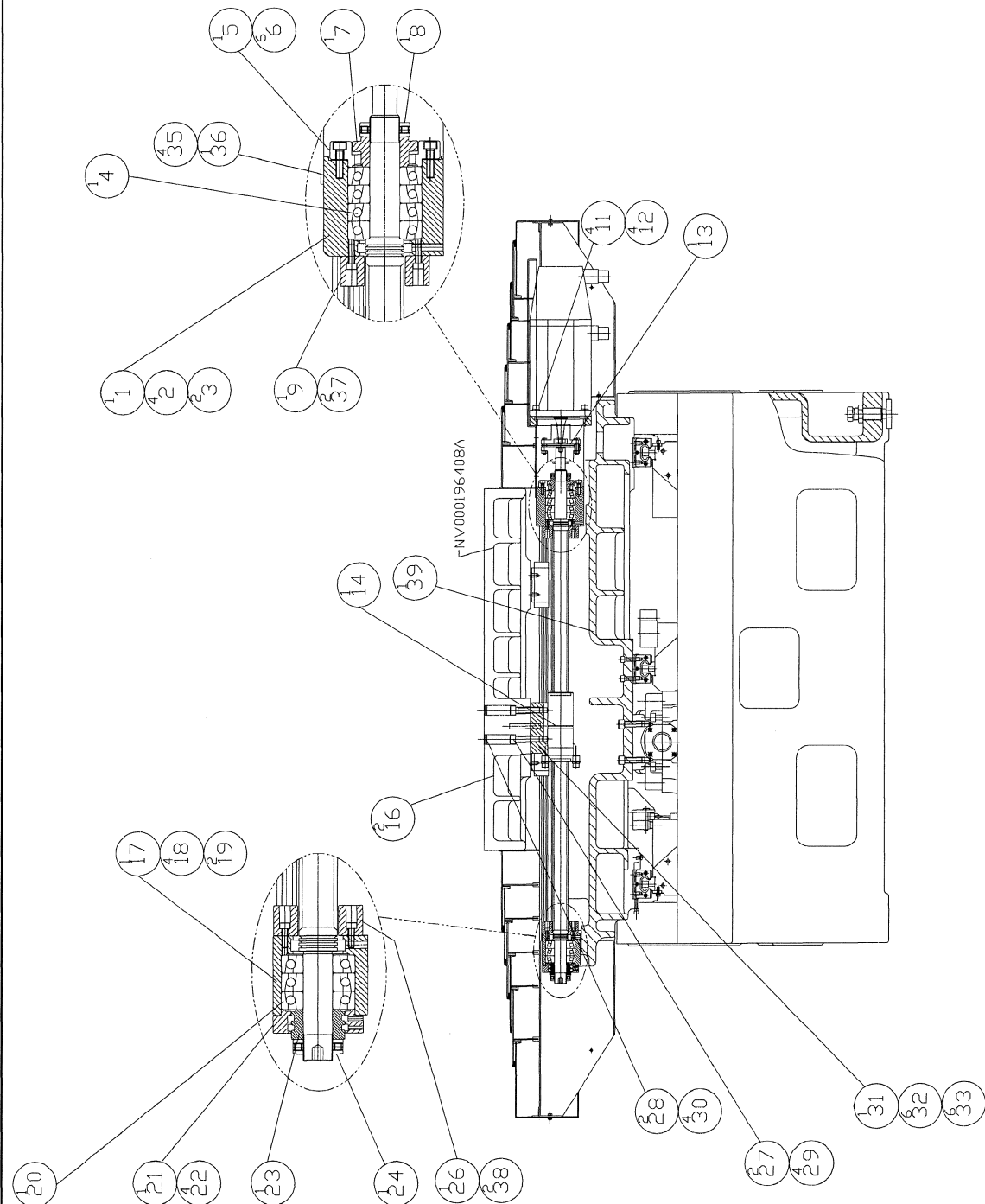
Description: Z-AXIS TRANSMISSION(HI-TORQUE)
Z 軸傳動(高扭力)

Item	Part NO.	Description	中文名稱	Specification	Qty	Unit
1.00	MS 0103819	SOCKET HEAD CAP SCREW	六角穴圓頭螺絲	M8xP1.25xL25	4.00	EA
2.00	MW 0183810	SPRING WASHER	彈簧墊圈	M8	4.00	EA
3.00	NV 001179200A	COUPLING	聯軸器	D81xd16xL81	1.00	EA
4.00	NV 000049206A	LOCKNUT	鎖緊螺帽	[SHIANG KAJJM30X1.5	1.00	EA
5.00	NV 000179920A	SPACER, SUPPORT BRG(HI-TORQUE)	間隔圈(高扭力)	D55xd30xL25	1.00	EA
6.00	NV 001011508A	COVER,BALLSCREW	軸蓋	D92xd51xL21.5	1.00	EA
7.00	MS 0103618	SOCKET HEAD CAP SCREW	六角穴圓頭螺絲	M6xP1.0xL20	6.00	EA
8.00	NV 00002660109	BEARING, BALL SCREW SUPPORT	滾珠導桿斜角滾珠軸承	NSK 30TAC62BDFFC10PN7B (4PCS/S	1.00	ST
9.00	MS 0104223	SOCKET HEAD CAP SCREW	六角穴圓頭螺絲	M12XP1.75XL45	4.00	EA
10.00	MW 0184210	SPRING WASHER	彈簧墊圈	M12	4.00	EA
11.00	NV 000190202A	Y,Z-AXIS BALL SCREW(12K/15K RP	Y,Z軸滾珠導螺桿(12K/15K RPM)(高扭力)	[PMI] R40-10C1-FDVE-739-1023-0	1.00	ST
12.00	MS 0104020	SOCKET HEAD CAP SCREW	六角穴圓頭螺絲	M10xP1.5xL30	4.00	EA
13.00	NV 00032530104	TAPER PIN	斜銷	D8x60L	4.00	EA
15.00	NVA000691602A	BUMPER(HI-TORQUE)	止動環(高扭力)	D75xd42xL25	1.00	EA
16.00	NVA000179919A	SPACER(HI-TORQUE)	間隔圈(高扭力)	D45xd30xL25	1.00	EA
17.00	NV 000049206A	LOCKNUT	鎖緊螺帽	[SHIANG KAJJM30X1.5	1.00	EA
18.00	NVA001011554A	COVER,BALLSCREW(HI-TORQUE)	軸承座蓋(高扭力、標準型共用)	W76xd45.5xL20	1.00	EA
19.00	MS 0103517	SOCKET HEAD CAP SCREW	六角穴圓頭螺絲	M5xP0.8xL16	4.00	EA
20.00	NV 00002660110	BEARING, BALL SCREW SUPPORT	滾珠導桿斜角滾珠軸承	NSK 30TAC62BDFDC10PN7B (3PCS/S	1.00	ST
21.00	NVA001117604A	HOUSING, BEARING(D32)	XYZ軸承座(D32)	L128xW66xH80	1.00	EA

PRODUCT BOM MASTER AND SUB-ITEMS LIST

Item	Part NO.	Description	中文名稱	Specification	Qty	Unit
22.00	MS 0103819	SOCKET HEAD CAP SCREW	六角穴圓頭螺絲	M8xP1.25xL25	6.00	EA
23.00	MW 0183810	SPRING WASHER	彈簧墊圈	M8	6.00	EA
24.00	NV 001011529A	COVER, XYZ-AXIS MOTOR SEAT	XYZ軸馬達座蓋	L128XW148.5XH2.3	1.00	EA
25.00	MW 0183510	SPRING WASHER	彈簧墊圈	M5	4.00	EA
26.00	MS 0103515	SOCKET HEAD CAP SCREW	六角穴圓頭螺絲	M5xP0.8xL10	4.00	EA
27.00	NVA001066128A	Z-AXIS SEAT, MOTOR(HI-TORQUE)	Z軸馬達座(高扭力、標準型共用)	L229.5XW188XH170	1.00	EA
28.00	NVA000691602A	BUMPER(HI-TORQUE)	止動環(高扭力)	D75xG42xL25	1.00	EA
29.00	MS 0103517	SOCKET HEAD CAP SCREW	六角穴圓頭螺絲	M5xP0.8xL16	2.00	EA
30.00	MS 0103517	SOCKET HEAD CAP SCREW	六角穴圓頭螺絲	M5xP0.8xL16	2.00	EA

REV.	DESCRIPTION	DATE	ECH.
A	VMC600-5M125NVA0000500A-NVA0000500A	2006/5/31	9
B	#35(NV 0000196408A-NVA 0000196408A)	2007/5/15	563



MODEL: VMC600	PART NUMBER	NVA000004602A
PART NAME	X-AXIS TRANSMISSION	
串由代等重功	PAGE 1	OF 1
DATE 2006/5/31	SCALE 1:1.4	REV. B

PRODUCT BOM MASTER AND SUB-ITEMS LIST

Master Item Part NO.: NVA000004602A

Description: X-AXIS TRANSMISSION
X軸傳動

Item	Part NO.	Description	中文名稱	Specification	Qty	Unit
1.02	NVA001066127A	SEAT, X,Y AXIS MOTOR(FANUC)D32	X,Y軸馬達座(FANUC)D32	L228.5xW200xH130	1.00	EA
2.00	MS 0104224	SOCKET HEAD CAP SCREW	六角穴圓頭螺絲	M12xP1.75xL50	4.00	EA
3.00	NV 00032530104	TAPER PIN	斜銷	D8x60L	2.00	EA
4.00	NV 00002660102	BEARING, BALL SCREW SUPPORT	滾珠導桿斜角滾珠軸承	NSK 25TAC62BDFFC10PN7B (4PCS/S	1.00	ST
5.00	NV 001011508A	COVER,BALLSCREW	軸蓋	D92xd51xL21.5	1.00	EA
6.00	MS 0103618	SOCKET HEAD CAP SCREW	六角穴圓頭螺絲	M6xP1.0xL20	6.00	EA
7.00	NV 000179903A	SPACER, SUPPORT BRG	間隔圈	D55xd25xL25	1.00	EA
8.00	NV 000049202A	LOCKNUT	鎖緊螺帽	[SHIANG KAIJM25x1.5	1.00	EA
9.00	NVA000691600A	BUMPER	止動環	D75xd34xL25	1.00	EA
11.00	MS 0103819	SOCKET HEAD CAP SCREW	六角穴圓頭螺絲	M8xP1.25xL25	4.00	EA
12.00	MW 0103810	FLAT WASHER	平墊圈	M8 (d8*D22.2)	4.00	EA
13.00	NV 001179200A	COUPLING	聯軸器	D81xd16xL81	1.00	EA
14.00	NV 000190200AG	BALL SCREW, X-AXIS	X軸滾珠導桿(磨)	[PMI]R32-10D1-FDVE-829-1113-0.	1.00	ST
16.00	NV 001050200A	T NUT	T型螺帽	L28xW28xH20	2.00	EA
17.01	NVA001117604A	HOUSING, BEARING(D32)	XYZ軸承座(D32)	L128xW66xH80	1.00	EA
18.00	MS 0104020	SOCKET HEAD CAP SCREW	六角穴圓頭螺絲	M10xP1.5xL30	4.00	EA
19.00	NV 00032530104	TAPER PIN	斜銷	D8x60L	2.00	EA
20.00	NV 00002660103	BEARING, BALL SCREW SUPPORT	滾珠導桿斜角滾珠軸承	NSK 25TAC62BDFFC10PN7B (3PCS/S	1.00	ST
21.00	NVA001011554A	COVER,BALLSCREW(HI-TORQUE)	軸承座蓋(高扭力、標準型共用)	W76xd45.5xL20	1.00	EA
22.00	MS 0103517	SOCKET HEAD CAP SCREW	六角穴圓頭螺絲	M5xP0.8xL16	4.00	EA

PRODUCT BOM MASTER AND SUB-ITEMS LIST

Item	Part NO.	Description	中文名稱	Specification	Qty	Unit
23.00	NVB000179902A	SPACER	間隔圈	D45xd25xL25	1.00	EA
24.00	NV 000049202A	LOCKNUT	鎖緊螺帽	[SHIANG KAI]M25x1.5	1.00	EA
26.00	NVA000691600A	BUMPER	止動環	D75xd34xL25	1.00	EA
27.00	NV 00032530104	TAPER PIN	斜銷	D8x60L	2.00	EA
28.00	NV 001033100A	PLUG, LINEAR GUIDE	防塵蓋	[STAR]1605-300-90(Φ15)	2.00	EA
29.00	MS 0104220	SOCKET HEAD CAP SCREW	六角穴圓頭螺絲	M12xP1.75xL30	4.00	EA
30.00	NV 001033101A	PLUG, TABLE	防塵蓋	[STAR]1605-400-90(Φ20)	4.00	EA
31.00	NVA001066103A	BRACKET, BALLSCREW	導桿托架	L110xW115xH91.3	1.00	EA
32.00	MS 0103820	SOCKET HEAD CAP SCREW	六角穴圓頭螺絲	M8xP1.25xL30	6.00	EA
33.00	MW 0183810	SPRING WASHER	彈簧墊圈	M8	6.00	EA
35.00	MS 0103517	SOCKET HEAD CAP SCREW	六角穴圓頭螺絲	M5xP0.8xL16	4.00	EA
36.01	NV 001011623A	MOTOR COVER,X-AXIS	X軸馬達護蓋	L494.2xW224xH36.1	1.00	EA
37.00	MS 0103517	SOCKET HEAD CAP SCREW	六角穴圓頭螺絲	M5xP0.8xL16	2.00	EA
38.00	MS 0103517	SOCKET HEAD CAP SCREW	六角穴圓頭螺絲	M5xP0.8xL16	2.00	EA

PRODUCT BOM MASTER AND SUB-ITEMS LIST

Master Item Part NO.: NVA000004602B

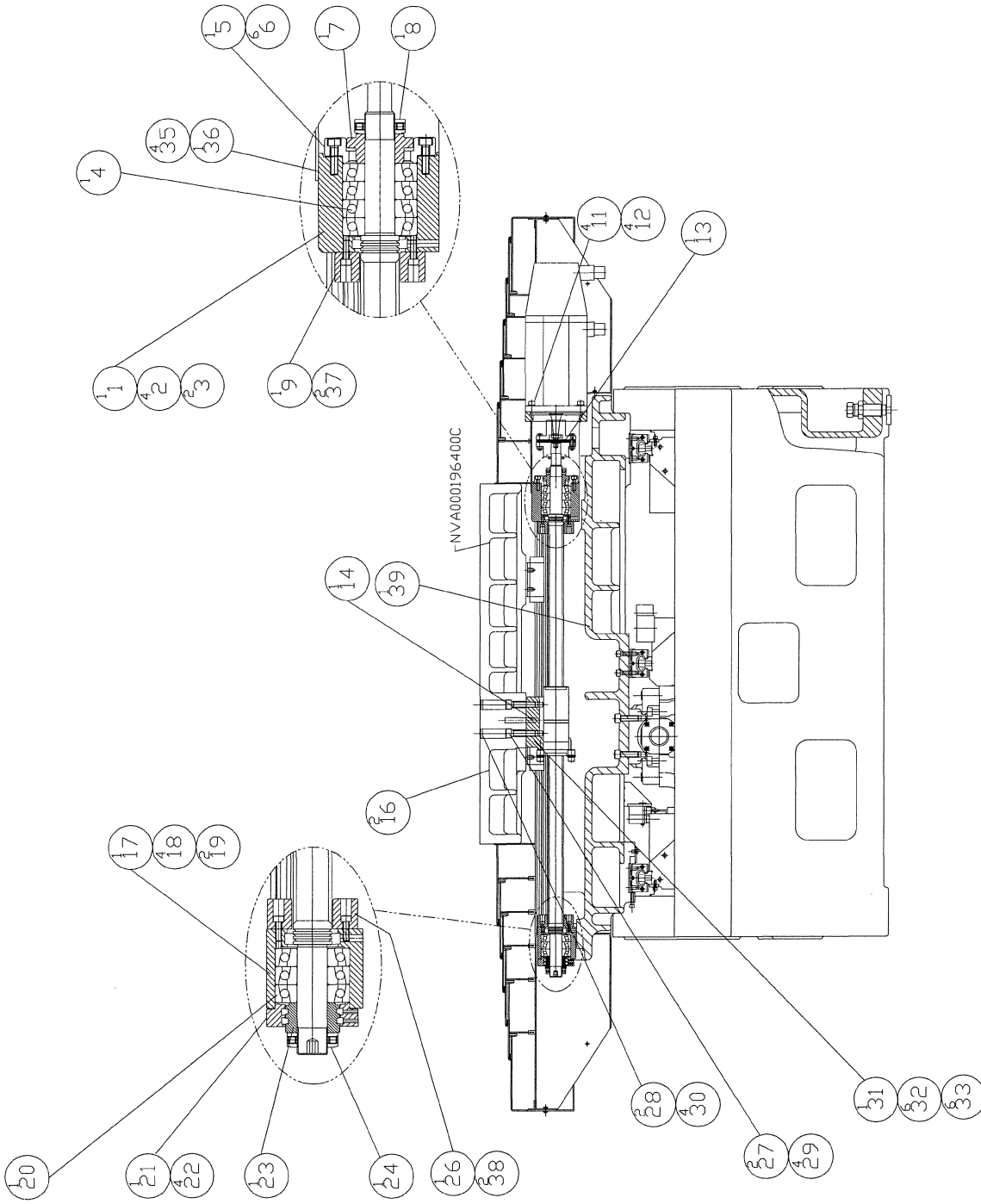
 Description: X-AXIS TRANSMISSION
 X軸傳動

Item	Part NO.	Description	中文名稱	Specification	Qty	Unit
1.02	NVA001066127A	SEAT, X,Y AXIS MOTOR(FANUC)D32	X,Y軸馬達座(FANUC)D32	L228.5xW200xH130	1.00	EA
2.00	MS 0104224	SOCKET HEAD CAP SCREW	六角穴圓頭螺絲	M12xP1.75xL50	4.00	EA
3.00	NV 00032530104	TAPER PIN	斜銷	D8x60L	2.00	EA
4.00	NV 00002660102	BEARING, BALL SCREW SUPPORT	滾珠導桿斜角滾珠軸承	NSK 25TAC62BDFFC10PN7B (4PCS/S)	1.00	ST
5.00	NV 001011508A	COVER,BALLSCREW	軸蓋	D92xd51xL21.5	1.00	EA
6.00	MS 0103618	SOCKET HEAD CAP SCREW	六角穴圓頭螺絲	M6xP1.0xL20	6.00	EA
7.00	NV 000179903A	SPACER, SUPPORT BRG	間隔圈	D55xd25xL25	1.00	EA
8.00	NV 000049202A	LOCKNUT	鎖緊螺帽	[SHIANG KAIJM25x1.5	1.00	EA
9.00	NVA000691600A	BUMPER	止動環	D75xd34xL25	1.00	EA
11.00	MS 0103819	SOCKET HEAD CAP SCREW	六角穴圓頭螺絲	M8xP1.25xL25	4.00	EA
12.00	MW 0103810	FLAT WASHER	平墊圈	M8 (d8*D22.2)	4.00	EA
13.00	NV 001179200A	COUPLING	聯軸器	D81xd16xL81	1.00	EA
14.00	NV 000190200BG	BALL SCREW, X-AXIS	X軸滾珠導桿(磨)	[PMI]R32-10D1-FDVE-1029-1313-0	1.00	ST
16.00	NV 001050200A	T NUT	T型螺帽	L28xW28xH20	2.00	EA
17.01	NVA001117604A	HOUSING, BEARING(D32)	XYZ軸承座(D32)	L128xW66xH80	1.00	EA
18.00	MS 0104020	SOCKET HEAD CAP SCREW	六角穴圓頭螺絲	M10xP1.5xL30	4.00	EA
19.00	NV 00032530104	TAPER PIN	斜銷	D8x60L	2.00	EA
20.00	NV 00002660103	BEARING, BALL SCREW SUPPORT	滾珠導桿斜角滾珠軸承	NSK 25TAC62BDFFC10PN7B (3PCS/S)	1.00	ST
21.00	NVA001011554A	COVER,BALLSCREW(HI-TORQUE)	軸承座蓋(高扭力、標準型共用)	W76xd45.5xL20	1.00	EA
22.00	MS 0103517	SOCKET HEAD CAP SCREW	六角穴圓頭螺絲	M5xP0.8xL16	4.00	EA

PRODUCT BOM MASTER AND SUB-ITEMS LIST

Item	Part NO.	Description	中文名稱	Specification	Qty	Unit
23.00	NVB000179902A	SPACER	間隔圈	D45xd25xL25	1.00	EA
24.00	NV 000049202A	LOCKNUT	鎖緊螺帽	[SHIANG KAIJM25x1.5	1.00	EA
26.00	NVA000691600A	BUMPER	止動環	D75xd34xL25	1.00	EA
27.00	NV 00032530104	TAPER PIN	斜銷	D8x60L	2.00	EA
28.00	NV 001033100A	PLUG, LINEAR GUIDE	防塵蓋	[STAR]1605-300-90(Φ15)	2.00	EA
29.00	MS 0104220	SOCKET HEAD CAP SCREW	六角穴圓頭螺絲	M12xP1.75xL30	4.00	EA
30.00	NV 001033101A	PLUG, TABLE	防塵蓋	[STAR]1605-400-90(Φ20)	4.00	EA
31.00	NVA001066103A	BRACKET, BALLSCREW	導桿托架	L110xW115xH91.3	1.00	EA
32.00	MS 0103820	SOCKET HEAD CAP SCREW	六角穴圓頭螺絲	M8xP1.25xL30	6.00	EA
33.00	MW 0183810	SPRING WASHER	彈簧墊圈	M8	6.00	EA
35.00	MS 0103517	SOCKET HEAD CAP SCREW	六角穴圓頭螺絲	M5xP0.8xL16	4.00	EA
36.01	NV 001011623A	MOTOR COVER,X-AXIS	X軸馬達護蓋	L494.2xW224xH36.1	1.00	EA
37.00	MS 0103517	SOCKET HEAD CAP SCREW	六角穴圓頭螺絲	M5xP0.8xL16	2.00	EA
38.00	MS 0103517	SOCKET HEAD CAP SCREW	六角穴圓頭螺絲	M5xP0.8xL16	2.00	EA

REV.	DESCRIPTION	DATE	ECN.
A	MODEL: NV/A000196-400C	2006/7/1	9



MODEL: VMC1000

PART NAME
X-AXIS TRANSMISSION

PART NUMBER
NVA000004602C

PAGE 1 OF 1

REV. A

DATE 2006/7/1

SCALE 1:1.4

DESIGNER
PHL

PRODUCT BOM MASTER AND SUB-ITEMS LIST

Master Item Part NO.: NVA000004602C

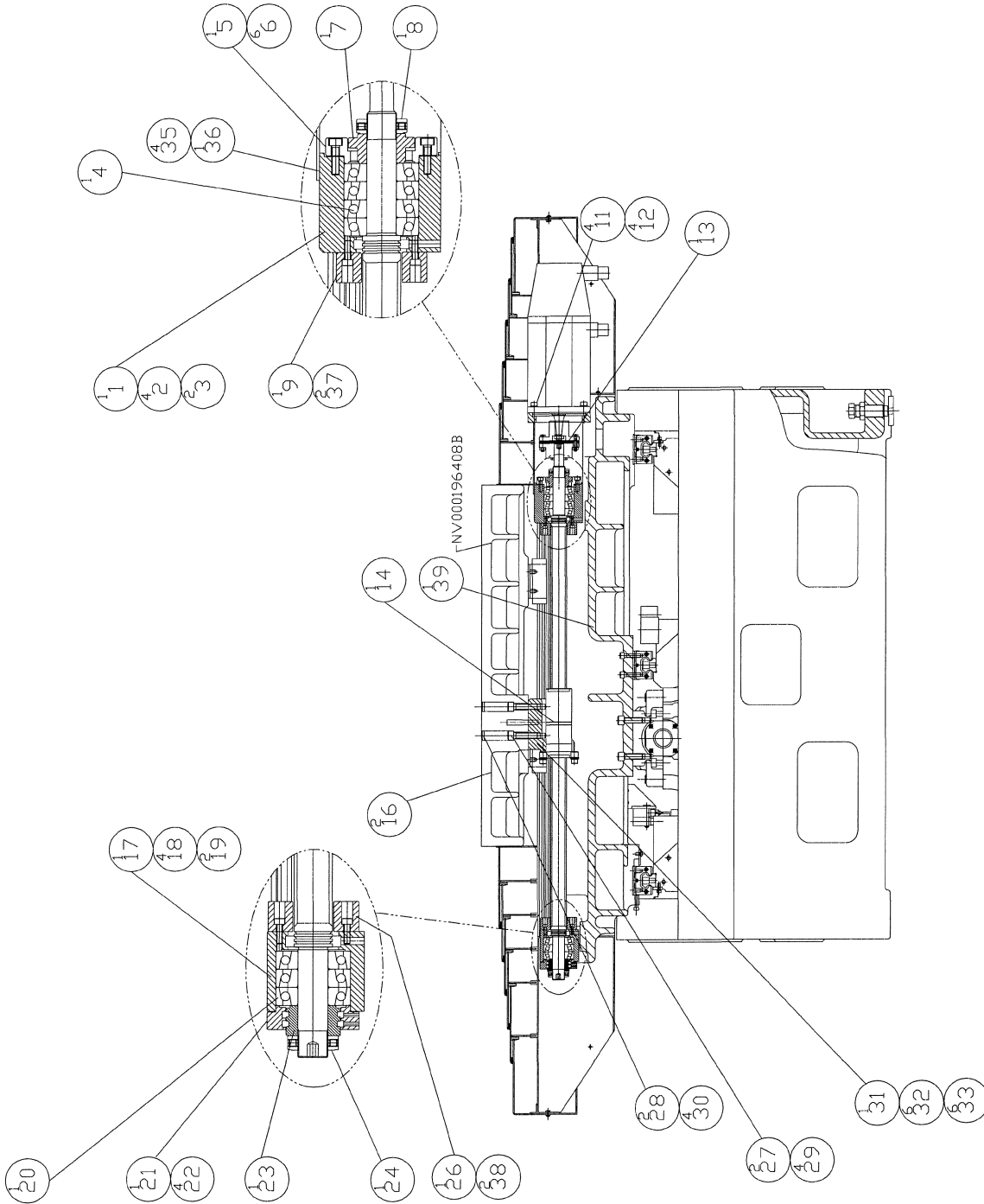
Description: X-AXIS TRANSMISSION
X軸傳動

Item Part NO.	Description	中文名稱	Specification	Qty	Unit
1.02	NVA001066127A SEAT, X,Y AXIS MOTOR(FANUC)D32	X,Y軸馬達座(FANUC)D32	L228.5xW200xH130	1.00	EA
2.00	MS 0104224 SOCKET HEAD CAP SCREW	六角穴圓頭螺絲	M12xP1.75xL50	4.00	EA
3.00	NV 00032530104 TAPER PIN	斜銷	D8x60L	2.00	EA
4.00	NV 00002660102 BEARING, BALL SCREW SUPPORT	滾珠導桿斜角滾珠軸承	NSK 25TAC62BDFFC10PN7B (4PCS/S	1.00	ST
5.00	NV 001011508A COVER,BALLSCREW	軸蓋	D92xd51xL21.5	1.00	EA
6.00	MS 0103618 SOCKET HEAD CAP SCREW	六角穴圓頭螺絲	M6xP1.0xL20	6.00	EA
7.00	NV 000179903A SPACER, SUPPORT BRG	間隔圈	D55xd25xL25	1.00	EA
8.00	NV 000049202A LOCKNUT	鎖緊螺帽	[SHIANG KAIJM25x1.5	1.00	EA
9.00	NVA000691600A BUMPER	止動環	D75xd34xL25	1.00	EA
11.00	MS 0103819 SOCKET HEAD CAP SCREW	六角穴圓頭螺絲	M8xP1.25xL25	4.00	EA
12.00	MW 0103810 FLAT WASHER	平墊圈	M8 (d8*D22.2)	4.00	EA
13.00	NV 001179200A COUPLING	聯軸器	D81xd16xL81	1.00	EA
14.00	NV 000190200CG BALL SCREW, X-AXIS	X軸滾珠導螺桿(磨)	[PMI]R32-10D1-FDVE-1249-1533-0	1.00	ST
16.00	NV 001050200A T NUT	T型螺帽	L28xW28xH20	2.00	EA
17.01	NVA00117604A HOUSING, BEARING(D32)	XYZ軸承座(D32)	L128xW66xH80	1.00	EA
18.00	MS 0104020 SOCKET HEAD CAP SCREW	六角穴圓頭螺絲	M10xP1.5xL30	4.00	EA
19.00	NV 00032530104 TAPER PIN	斜銷	D8x60L	2.00	EA
20.00	NV 00002660103 BEARING, BALL SCREW SUPPORT	滾珠導桿斜角滾珠軸承	NSK 25TAC62BDFFC10PN7B (3PCS/S	1.00	ST
21.00	NVA001011554A COVER,BALLSCREW(HI-TORQUE)	軸承座蓋(高扭力、標準型共用)	W76xd45.5xL20	1.00	EA
22.00	MS 0103517 SOCKET HEAD CAP SCREW	六角穴圓頭螺絲	M5xP0.8xL16	4.00	EA

PRODUCT BOM MASTER AND SUB-ITEMS LIST

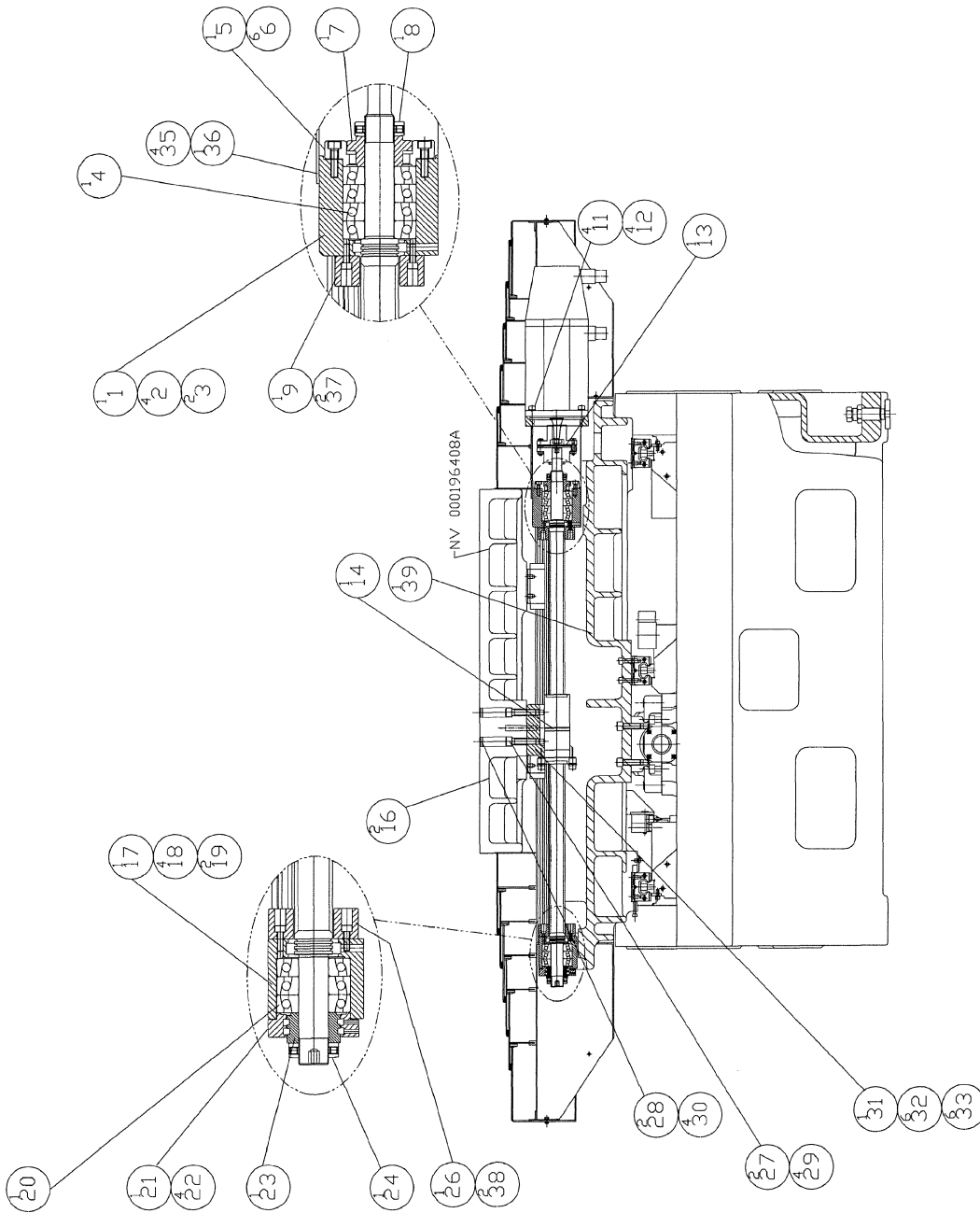
Item	Part NO.	Description	中文名稱	Specification	Qty	Unit
23.00	NVB000179902A	SPACER	間隔圈	D45xd25xL25	1.00	EA
24.00	NV 000049202A	LOCKNUT	鎖緊螺帽	[SHIANG KAIJM25x1.5	1.00	EA
26.00	NVA000691600A	BUMPER	止動環	D75xd34xL25	1.00	EA
27.00	NV 00032530104	TAPER PIN	斜銷	D8x60L	2.00	EA
28.00	NV 001033100A	PLUG, LINEAR GUIDE	防塵蓋	[STAR]1605-300-90(Φ15)	2.00	EA
29.00	MS 0104220	SOCKET HEAD CAP SCREW	六角穴圓頭螺絲	M12xP1.75xL30	4.00	EA
30.00	NV 001033101A	PLUG, TABLE	防塵蓋	[STAR]1605-400-90(Φ20)	4.00	EA
31.00	NVA001066103A	BRACKET, BALLSCREW	導桿托架	L110xW115xH91.3	1.00	EA
32.00	MS 0103820	SOCKET HEAD CAP SCREW	六角穴圓頭螺絲	M8xP1.25xL30	6.00	EA
33.00	MW 0183810	SPRING WASHER	彈簧墊圈	M8	6.00	EA
35.00	MS 0103517	SOCKET HEAD CAP SCREW	六角穴圓頭螺絲	M5xP0.8xL16	4.00	EA
36.01	NV 001011623A	MOTOR COVER,X-AXIS	X軸馬達護蓋	L494.2xW224xH36.1	1.00	EA
37.00	MS 0103517	SOCKET HEAD CAP SCREW	六角穴圓頭螺絲	M5xP0.8xL16	2.00	EA
38.00	MS 0103517	SOCKET HEAD CAP SCREW	六角穴圓頭螺絲	M5xP0.8xL16	2.00	EA
39.02	NVB000195400C	SADDLE	鞍座	1834x486x176	1.00	ST

REV.	DESCRIPTION	DATE	ECN.
A	車軸伝動機構(車軸伝動機構) NV000196408B	2006/5/31	9



MODEL: VMC800	PART NUMBER: NVA000004602B
PART NAME: X-AXIS TRANSMISSION	PAGE 1 OF 1
車軸伝動機構	REV. A
DATE: 2006/5/31	SCALE: 1:14
作成: PHL	

REV	DESCRIPTION	DATE	ECN
A	15K-RPM V/D Counter-balance	2006/5/31	9



MODEL: VMC600	PART NUMBER	NVA000004612A
PART NAME	X-AXIS TRANSMISSIONSK-RPM V/D Counter-balance)	PAGE 1 OF 1
	X軸傳動15K-RPM, 無配重)	REV. A
DATE 2006/5/31	SCALE 1:15	

PRODUCT BOM MASTER AND SUB-ITEMS LIST

Master Item Part NO.: NVA000004612A

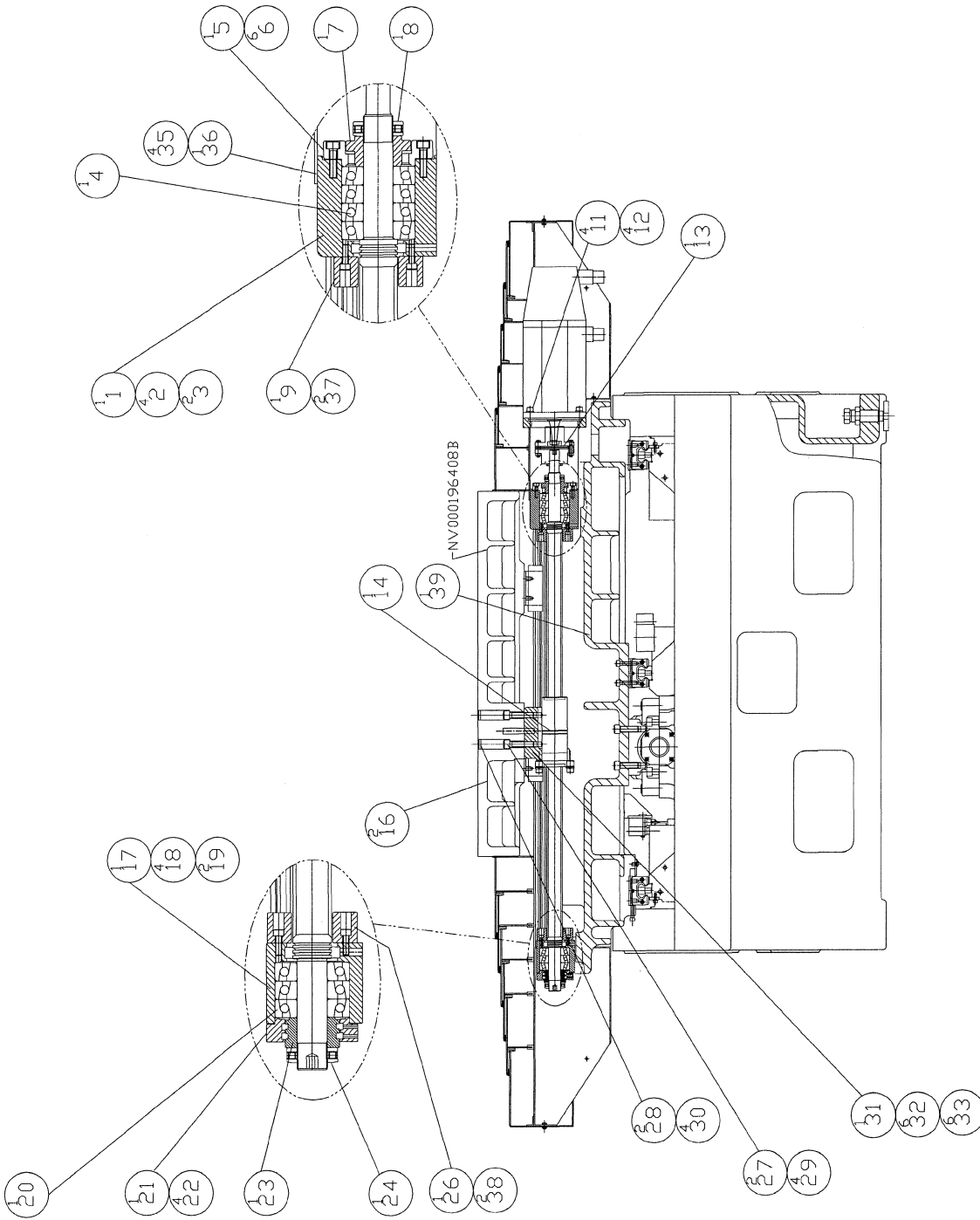
Description: X-AXIS TRANSMISSION(15K-RPM W/
X軸傳動(15K-RPM W/O Counter-balan

Item	Part NO.	Description	中文名稱	Specification	Qty	Unit
1.01	NVA001066127A	SEAT, X,Y AXIS MOTOR(FANUC)D32	X,Y軸馬達座(FANUC)D32	L228.5xW200xH130	1.00	EA
2.00	MS 0104224	SOCKET HEAD CAP SCREW	六角穴圓頭螺絲	M12xP1.75xL50	4.00	EA
3.00	NV 00032530104	TAPER PIN	斜銷	D8x60L	2.00	EA
4.00	NV 00002660102	BEARING, BALL SCREW SUPPORT	滾珠導桿斜角滾珠軸承	NSK 25TAC62BDFFC10PN7B (4PCS/S)	1.00	ST
5.00	NV 001011508A	COVER,BALLSCREW	軸蓋	D92xd51xL21.5	1.00	EA
6.00	MS 0103618	SOCKET HEAD CAP SCREW	六角穴圓頭螺絲	M6xP1.0xL20	6.00	EA
7.00	NV 000179903A	SPACER, SUPPORT BRG	間隔圈	D55xd25xL25	1.00	EA
8.00	NV 000049202A	LOCKNUT	鎖緊螺帽	[SHIANG KAIJM25x1.5	1.00	EA
9.00	NVA000691600A	BUMPER	止動環	D75xd34xL25	1.00	EA
11.00	MS 0103819	SOCKET HEAD CAP SCREW	六角穴圓頭螺絲	M8xP1.25xL25	4.00	EA
12.00	MW 0103810	FLAT WASHER	平墊圈	M8 (d8*D22.2)	4.00	EA
13.00	NV 001179200A	COUPLING	聯軸器	D81xd16xL81	1.00	EA
14.00	NV 000190215A	BALL SCREW, X-AXIS	X軸滾珠導螺桿(32m/min)	[PMI]R32-12C1-FDVE-829-1113-C3	1.00	ST
16.00	NV 001050200A	T NUT	T型螺帽	L28xW28xH20	2.00	EA
17.01	NVA001117604A	HOUSING, BEARING(D32)	XYZ軸承座(D32)	L128xW66xH80	1.00	EA
18.00	MS 0104020	SOCKET HEAD CAP SCREW	六角穴圓頭螺絲	M10xP1.5xL30	4.00	EA
19.00	NV 00032530104	TAPER PIN	斜銷	D8x60L	2.00	EA
20.00	NV 00002660103	BEARING, BALL SCREW SUPPORT	滾珠導桿斜角滾珠軸承	NSK 25TAC62BDFFC10PN7B (3PCS/S)	1.00	ST
21.00	NVA001011554A	COVER,BALLSCREW(HI-TORQUE)	軸承座蓋(高扭力、標準型共用)	W76xd45.5xL20	1.00	EA
22.00	MS 0103517	SOCKET HEAD CAP SCREW	六角穴圓頭螺絲	M5xP0.8xL16	4.00	EA

PRODUCT BOM MASTER AND SUB-ITEMS LIST

Item Part NO.	Description	中文名稱	Specification	Qty	Unit
23.00	NVB000179902A SPACER	間隔圈	D45xd25xL25	1.00	EA
24.00	NV 000049202A LOCKNUT	鎖緊螺帽	[SHIANG KAI]M25x1.5	1.00	EA
26.00	NVA000691600A BUMPER	止動環	D75xd34xL25	1.00	EA
27.00	NV 00032530104 TAPER PIN	斜銷	D8x60L	2.00	EA
28.00	NV 001033100A PLUG, LINEAR GUIDE	防塵蓋	[STAR]1605-300-90(Φ15)	2.00	EA
29.00	MS 0104220 SOCKET HEAD CAP SCREW	六角穴圓頭螺絲	M12xP1.75xL30	4.00	EA
30.00	NV 001033101A PLUG, TABLE	防塵蓋	[STAR]1605-400-90(Φ20)	4.00	EA
31.00	NVA001066103A BRACKET, BALLSCREW	導桿托架	L110xW115xH91.3	1.00	EA
32.00	MS 0103820 SOCKET HEAD CAP SCREW	六角穴圓頭螺絲	M8xP1.25xL30	6.00	EA
33.00	MW 0183810 SPRING WASHER	彈簧墊圈	M8	6.00	EA
35.00	MS 0103517 SOCKET HEAD CAP SCREW	六角穴圓頭螺絲	M5xP0.8xL16	4.00	EA
36.01	NV 001011623A MOTOR COVER,X-AXIS	X軸馬達護蓋	L494.2xW224xH36.1	1.00	EA
37.00	MS 0103517 SOCKET HEAD CAP SCREW	六角穴圓頭螺絲	M5xP0.8xL16	2.00	EA
38.00	MS 0103517 SOCKET HEAD CAP SCREW	六角穴圓頭螺絲	M5xP0.8xL16	2.00	EA

REV	DESCRIPTION	DATE	ECN
A	MEMBER OF THE SHIMADZU GROUP	2006/5/31	9



MODEL: VMC800	PART NUMBER
PART NAME	NV/A000004612B
X-AXIS TRANSMISSION(GSK-RPM W/O Counter-balance)	PAGE 1 OF 1
X 車軸傳動 15K-RPM, 無配重	REV. A
DATE 2006/5/31	SCALE 1:14
DESIGNER	

PRODUCT BOM MASTER AND SUB-ITEMS LIST

Master Item Part NO.: NVA000004612B

Description: X-AXIS TRANSMISSION(15K-RPM W/
X軸傳動(15K-RPM W/O Counter-balan

Item Part NO.	Description	中文名稱	Specification	Qty	Unit
1.01	NVA001066127A SEAT, X,Y AXIS MOTOR(FANUC)D32	X,Y軸馬達座(FANUC)D32	L228.5xW200xH130	1.00	EA
2.00	MS 0104224 SOCKET HEAD CAP SCREW	六角穴圓頭螺絲	M12xP1.75xL50	4.00	EA
3.00	NV 00032530104 TAPER PIN	斜銷	D8x60L	2.00	EA
4.00	NV 00002660102 BEARING, BALL SCREW SUPPORT	滾珠導桿斜角滾珠軸承	NSK 25TAC62BDFFC10PN7B (4PCS/S	1.00	ST
5.00	NV 001011508A COVER,BALLSCREW	軸蓋	D92xd51xL21.5	1.00	EA
6.00	MS 0103618 SOCKET HEAD CAP SCREW	六角穴圓頭螺絲	M6xP1.0xL20	6.00	EA
7.00	NV 000179903A SPACER, SUPPORT BRG	間隔圈	D55xd25xL25	1.00	EA
8.00	NV 000049202A LOCKNUT	鎖緊螺帽	[SHIANG KAIJM25x1.5	1.00	EA
9.00	NVA000691600A BUMPER	止動環	D75xd34xL25	1.00	EA
11.00	MS 0103819 SOCKET HEAD CAP SCREW	六角穴圓頭螺絲	M8xP1.25xL25	4.00	EA
12.00	MW 0103810 FLAT WASHER	平墊圈	M8 (d8*D22.2)	4.00	EA
13.00	NV 001179200A COUPLING	聯軸器	D81xd16xL81	1.00	EA
14.00	NV 000190204B X-AXIS BALL SCREW(36m/min)(15K	X軸滾珠導螺桿(36m/min)(15K-RPM)	[PMI]R32-12B1-FDVE-1029-1313-0	1.00	ST
16.00	NV 001050200A T NUT	T型螺帽	L28xW28xH20	2.00	EA
17.01	NVA00117604A HOUSING, BEARING(D32)	XYZ軸承座(D32)	L128xW66xH80	1.00	EA
18.00	MS 0104020 SOCKET HEAD CAP SCREW	六角穴圓頭螺絲	M10xP1.5xL30	4.00	EA
19.00	NV 00032530104 TAPER PIN	斜銷	D8x60L	2.00	EA
20.00	NV 00002660103 BEARING, BALL SCREW SUPPORT	滾珠導桿斜角滾珠軸承	NSK 25TAC62BDFFC10PN7B (3PCS/S	1.00	ST
21.00	NVA001011554A COVER,BALLSCREW(HI-TORQUE)	軸承座蓋(高扭力、標準型共用)	W76xd45.5xL20	1.00	EA
22.00	MS 0103517 SOCKET HEAD CAP SCREW	六角穴圓頭螺絲	M5xP0.8xL16	4.00	EA

PRODUCT BOM MASTER AND SUB-ITEMS LIST

Item Part NO.	Description	中文名稱	Specification	Qty	Unit
23.00	NVB000179902A SPACER	間隔圈	D45xd25xL25	1.00	EA
24.00	NV 000049202A LOCKNUT	鎖緊螺帽	[SHIANG KAIJM25x1.5	1.00	EA
26.00	NVA000691600A BUMPER	止動環	D75xd34xL25	1.00	EA
27.00	NV 00032530104 TAPER PIN	斜銷	D8x60L	2.00	EA
28.00	NV 001033100A PLUG, LINEAR GUIDE	防塵蓋	[STAR]1605-300-90(Φ15)	2.00	EA
29.00	MS 0104220 SOCKET HEAD CAP SCREW	六角穴圓頭螺絲	M12xP1.75xL30	4.00	EA
30.00	NV 001033101A PLUG, TABLE	防塵蓋	[STAR]1605-400-90(Φ20)	4.00	EA
31.00	NVA001066103A BRACKET, BALLSCREW	導桿托架	L110xW115xH91.3	1.00	EA
32.00	MS 0103820 SOCKET HEAD CAP SCREW	六角穴圓頭螺絲	M8xP1.25xL30	6.00	EA
33.00	MW 0183810 SPRING WASHER	彈簧墊圈	M8	6.00	EA
35.00	MS 0103517 SOCKET HEAD CAP SCREW	六角穴圓頭螺絲	M5xP0.8xL16	4.00	EA
36.01	NV 001011623A MOTOR COVER,X-AXIS	X軸馬達護蓋	L494.2xW224xH36.1	1.00	EA
37.00	MS 0103517 SOCKET HEAD CAP SCREW	六角穴圓頭螺絲	M5xP0.8xL16	2.00	EA
38.00	MS 0103517 SOCKET HEAD CAP SCREW	六角穴圓頭螺絲	M5xP0.8xL16	2.00	EA

PRODUCT BOM MASTER AND SUB-ITEMS LIST

Master Item Part NO.: NVA000004612C

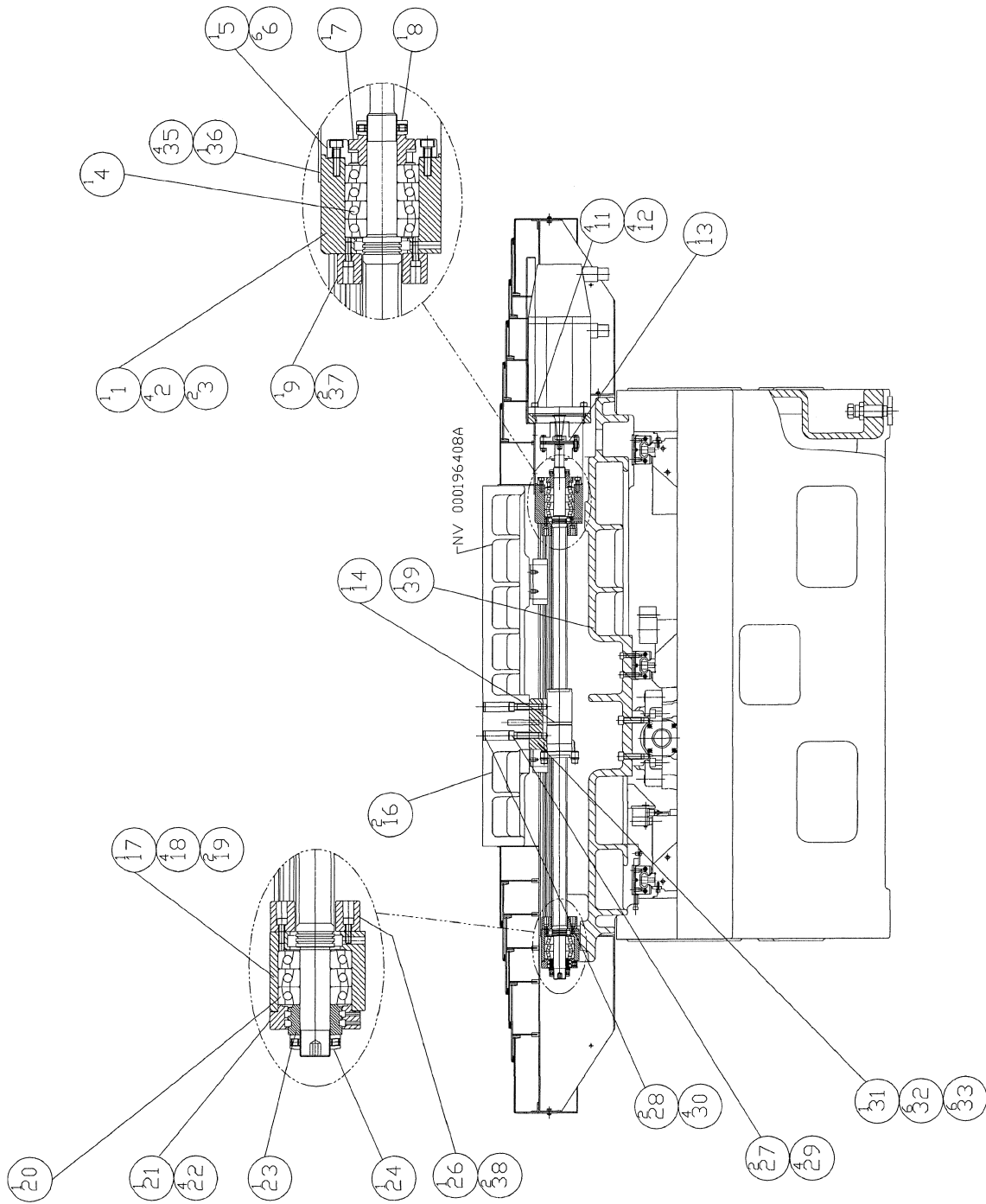
Description: X-AXIS TRANSMISSION(15K-RPM W/
X軸傳動(15K-RPM W/O Counter-balan

Item	Part NO.	Description	中文名稱	Specification	Qty	Unit
1.01	NVA001066127A	SEAT, X,Y AXIS MOTOR(FANUC)D32	X,Y軸馬達座(FANUC)D32	L228.5xW200xH130	1.00	EA
2.00	MS 0104224	SOCKET HEAD CAP SCREW	六角穴圓頭螺絲	M12xP1.75xL50	4.00	EA
3.00	NV 00032530104	TAPER PIN	斜銷	D8x60L	2.00	EA
4.00	NV 00002660102	BEARING, BALL SCREW SUPPORT	滾珠導桿斜角滾珠軸承	NSK 25TAC62BDFFC10PN7B (4PCS/S	1.00	ST
5.00	NV 001011508A	COVER,BALLSCREW	軸蓋	D92xd51xL21.5	1.00	EA
6.00	MS 0103618	SOCKET HEAD CAP SCREW	六角穴圓頭螺絲	M6xP1.0xL20	6.00	EA
7.00	NV 000179903A	SPACER, SUPPORT BRG	間隔圈	D55xd25xL25	1.00	EA
8.00	NV 000049202A	LOCKNUT	鎖緊螺帽	[SHIANG KAI]M25x1.5	1.00	EA
9.00	NVA000691600A	BUMPER	止動環	D75xd34xL25	1.00	EA
11.00	MS 0103819	SOCKET HEAD CAP SCREW	六角穴圓頭螺絲	M8xP1.25xL25	4.00	EA
12.00	MW 0103810	FLAT WASHER	平墊圈	M8 (d8*D22.2)	4.00	EA
13.00	NV 001179200A	COUPLING	聯軸器	D81xd16xL81	1.00	EA
14.00	NV 000190204C	X-AXIS BALL SCREW(36m/min)(15K	X軸滾珠導桿(36m/min)(15K-RPM)	[PMI]R32-12B1-FDVE-1249-1533-0	1.00	ST
16.00	NV 001050200A	T NUT	T型螺帽	L28xW28xH20	2.00	EA
17.01	NVA001117604A	HOUSING, BEARING(D32)	XYZ軸承座(D32)	L128xW66xH80	1.00	EA
18.00	MS 0104020	SOCKET HEAD CAP SCREW	六角穴圓頭螺絲	M10xP1.5xL30	4.00	EA
19.00	NV 00032530104	TAPER PIN	斜銷	D8x60L	2.00	EA
20.00	NV 00002660103	BEARING, BALL SCREW SUPPORT	滾珠導桿斜角滾珠軸承	NSK 25TAC62BDFFC10PN7B (3PCS/S	1.00	ST
21.00	NVA001011554A	COVER,BALLSCREW(HI-TORQUE)	軸承座蓋(高扭力、標準型共用)	W76xd45.5xL20	1.00	EA
22.00	MS 0103517	SOCKET HEAD CAP SCREW	六角穴圓頭螺絲	M5xP0.8xL16	4.00	EA

PRODUCT BOM MASTER AND SUB-ITEMS LIST

Item	Part NO.	Description	中文名稱	Specification	Qty	Unit
23.00	NVB000179902A	SPACER	間隔圈	D45xd25xL25	1.00	EA
24.00	NV 000049202A	LOCKNUT	鎖緊螺帽	[SHIANG KAI]M25x1.5	1.00	EA
26.00	NVA000691600A	BUMPER	止動環	D75xd34xL25	1.00	EA
27.00	NV 00032530104	TAPER PIN	斜銷	D8x60L	2.00	EA
28.00	NV 001033100A	PLUG, LINEAR GUIDE	防塵蓋	[STAR]1605-300-90(Φ15)	2.00	EA
29.00	MS 0104220	SOCKET HEAD CAP SCREW	六角六圓頭螺絲	M12xP1.75xL30	4.00	EA
30.00	NV 001033101A	PLUG, TABLE	防塵蓋	[STAR]1605-400-90(Φ20)	4.00	EA
31.00	NVA001066103A	BRACKET, BALLSCREW	導桿托架	L110xW115xH91.3	1.00	EA
32.00	MS 0103820	SOCKET HEAD CAP SCREW	六角六圓頭螺絲	M8xP1.25xL30	6.00	EA
33.00	MW 0183810	SPRING WASHER	彈簧墊圈	M8	6.00	EA
35.00	MS 0103517	SOCKET HEAD CAP SCREW	六角六圓頭螺絲	M5xP0.8xL16	4.00	EA
36.01	NV 001011623A	MOTOR COVER,X-AXIS	X軸馬達護蓋	L494.2xW224xH36.1	1.00	EA
37.00	MS 0103517	SOCKET HEAD CAP SCREW	六角六圓頭螺絲	M5xP0.8xL16	2.00	EA
38.00	MS 0103517	SOCKET HEAD CAP SCREW	六角六圓頭螺絲	M5xP0.8xL16	2.00	EA
39.01	NVA000195400C	SADDLE	鞍座	L1829xW486xH186.5	1.00	ST

REV	DESCRIPTION	DATE	ECN
A	INTEGRATED MOTOR DRIVE UNIT (IMDU) - NV00156408A	2006/5/31	9
B	INTEGRATED MOTOR DRIVE UNIT (IMDU) - NV00156408A	2006/6/13	10007-5
C	INTEGRATED MOTOR DRIVE UNIT (IMDU) - NV00156408A	2007/5/15	563



MODEL: VMC600	PART NUMBER: NVA000004602AT
PART NAME: X-AXIS TRANSMISSION(HI-TORQUE)	PAGE 1 OF 1
PART NUMBER: X 軸傳動(HI-TORQUE)	REV. C
DATE: 2006/5/31	SCALE: 1:1.4

PRODUCT BOM MASTER AND SUB-ITEMS LIST

Master Item Part NO.: NVA000004602AT

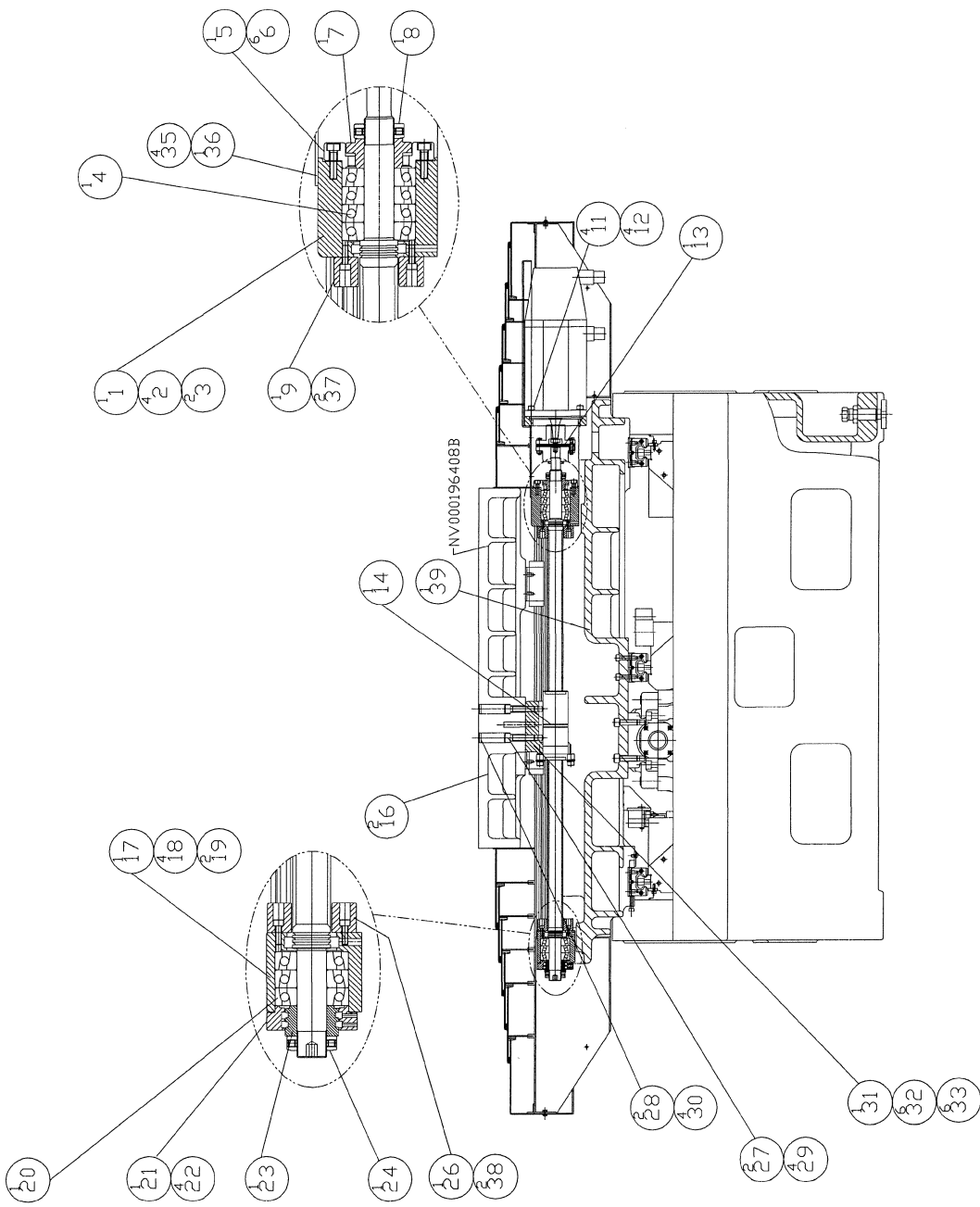
Description: X-AXIS TRANSMISSION(HI-TORQUE)
X軸傳動(高扭力)

Item Part NO.	Description	中文名稱	Specification	Qty	Unit
1.02	NV 001066249A SEAT, X,Y AXIS MOTOR(FANUC)D40	X,Y軸馬達座(FANUC)D40	L228.5xW200xH130	1.00	EA
2.00	MS 0104224 SOCKET HEAD CAP SCREW	六角穴圓頭螺絲	M12xP1.75xL50	4.00	EA
3.00	NV 00032530104 TAPER PIN	斜銷	D8x60L	2.00	EA
4.00	NV 00002660109 BEARING, BALL SCREW SUPPORT	滾珠導桿斜角滾珠軸承	NSK 30TAC62BDFFC10PN7B (4PCS/S)	1.00	ST
5.00	NV 001011508A COVER,BALLSCREW	軸蓋	D92xd51xL21.5	1.00	EA
6.00	MS 0103618 SOCKET HEAD CAP SCREW	六角穴圓頭螺絲	M6xP1.0xL20	6.00	EA
7.00	NV 000179920A SPACER, SUPPORT BRG(HI-TORQUE)	間隔圈(高扭力)	D55xd30xL25	1.00	EA
8.00	NV 000049206A LOCKNUT	鎖緊螺帽	[SHIANG KAIJM30X1.5	1.00	EA
9.00	NVA000691602A BUMPER(HI-TORQUE)	止動環(高扭力)	D75xd42xL25	1.00	EA
11.00	MS 0103819 SOCKET HEAD CAP SCREW	六角穴圓頭螺絲	M8xP1.25xL25	4.00	EA
12.00	MW 0103810 FLAT WASHER	平墊圈	M8 (d8*D22.2)	4.00	EA
13.00	NV 001179200A COUPLING	聯軸器	D81xd16xL81	1.00	EA
14.00	NV 000190203A BALL SCREW, X-AXIS(HI-TORQUE)	X軸滾珠導桿(高扭力)	[PMIJR40-10C1-FDVE-829-1113-0.	1.00	ST
16.00	NV 001050200A T NUT	T型螺帽	L28xW28xH20	2.00	EA
17.01	NV 001117608A HOUSING, BEARING(D40)	XYZ軸承座(D40)	L128xW66xH80	1.00	EA
18.00	MS 0104020 SOCKET HEAD CAP SCREW	六角穴圓頭螺絲	M10xP1.5xL30	4.00	EA
19.00	NV 00032530104 TAPER PIN	斜銷	D8x60L	2.00	EA
20.00	NV 00002660110 BEARING, BALL SCREW SUPPORT	滾珠導桿斜角滾珠軸承	NSK 30TAC62BDFDC10PN7B (3PCS/S)	1.00	ST
21.00	NVA001011554A COVER,BALLSCREW(HI-TORQUE)	軸承座蓋(高扭力、標準型共用)	W76xd45.5xL20	1.00	EA
22.00	MS 0103517 SOCKET HEAD CAP SCREW	六角穴圓頭螺絲	M5xP0.8xL16	4.00	EA

PRODUCT BOM MASTER AND SUB-ITEMS LIST

Item Part NO.	Description	中文名稱	Specification	Qty	Unit
23.00	NVA000179919A SPACER(HI-TORQUE)	間隔圈(高扭力)	D45xd30xL25	1.00	EA
24.00	NV 000049206A LOCKNUT	鎖緊螺帽	[SHIANG KAIJM30X1.5	1.00	EA
26.00	NVA000691602A BUMPER(HI-TORQUE)	止動環(高扭力)	D75xd42xL25	1.00	EA
27.00	NV 00032530104 TAPER PIN	斜銷	D8x60L	2.00	EA
28.00	NV 001033100A PLUG, LINEAR GUIDE	防塵蓋	[STAR]1605-300-90(Φ15)	2.00	EA
29.00	MS 0104220 SOCKET HEAD CAP SCREW	六角穴圓頭螺絲	M12xP1.75xL30	4.00	EA
30.00	NV 001033101A PLUG, TABLE	防塵蓋	[STAR]1605-400-90(Φ20)	4.00	EA
31.00	NV 001066129A BRACKET, BALLSCREW(HI-TORQUE)	導桿托架(高扭力)	L110xW115xH94.5	1.00	EA
32.00	MS 0103820 SOCKET HEAD CAP SCREW	六角穴圓頭螺絲	M8xP1.25xL30	6.00	EA
33.00	MW 0183810 SPRING WASHER	彈簧墊圈	M8	6.00	EA
35.00	MS 0103517 SOCKET HEAD CAP SCREW	六角穴圓頭螺絲	M5xP0.8xL16	4.00	EA
36.01	NV 001011623A MOTOR COVER,X-AXIS	X軸馬達護蓋	L494.2xW224xH36.1	1.00	EA
37.00	MS 0103517 SOCKET HEAD CAP SCREW	六角穴圓頭螺絲	M5xP0.8xL16	2.00	EA
38.00	MS 0103517 SOCKET HEAD CAP SCREW	六角穴圓頭螺絲	M5xP0.8xL16	2.00	EA

REV	DESCRIPTION	DATE	ECN
A	VMC800-5403300005000-NV00005400A	2006/5/31	9
B	VMC800-5403300005000-NV00005400B	2006/6/19	0007/9
C	VMC800-0001629A-NV-0001629A	2007/5/15	563



MODEL	VMC800
PART NAME	X-AXIS TRANSMISSION(HI-TORQUE)
PART NUMBER	NV/A000004602BT
DATE	2006/5/31
SCALE	1:15
REV.	C

PRODUCT BOM MASTER AND SUB-ITEMS LIST

Master Item Part NO.: NVA000004602BT

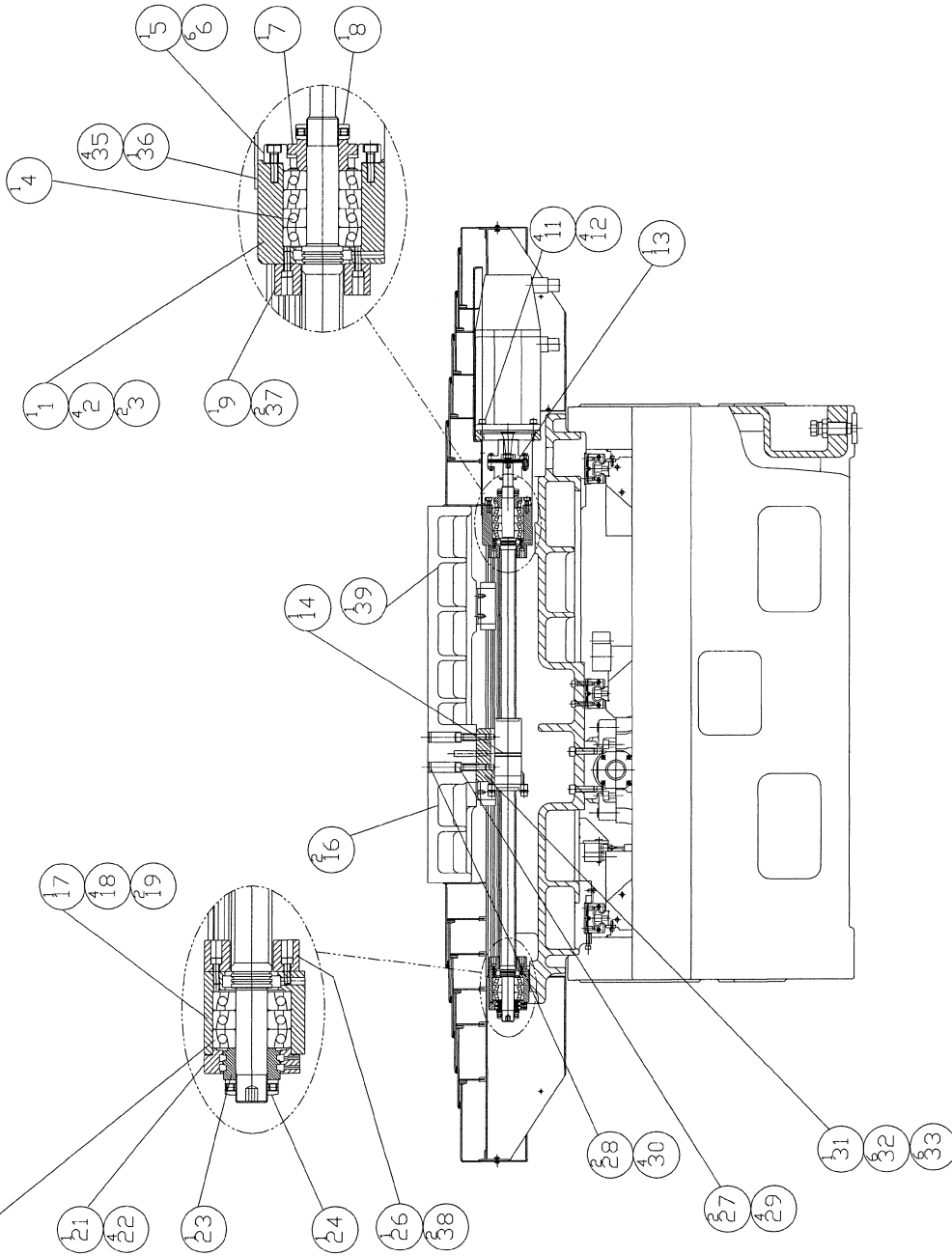
Description: X-AXIS TRANSMISSION(HI-TORQUE)
X軸傳動(高扭力)

Item Part NO.	Description	中文名稱	Specification	Qty	Unit
1.02	NV 001066249A SEAT, X,Y AXIS MOTOR(FANUC)D40	X,Y軸馬達座(FANUC)D40	L228.5xW200xH130	1.00	EA
2.00	MS 0104224 SOCKET HEAD CAP SCREW	六角穴圓頭螺絲	M12xP1.75xL50	4.00	EA
3.00	NV 00032530104 TAPER PIN	斜銷	D8x60L	2.00	EA
4.00	NV 00002660109 BEARING, BALL SCREW SUPPORT	滾珠導桿斜角滾珠軸承	NSK 30TAC62BDFFC10PN7B (4PCS/S	1.00	ST
5.00	NV 001011508A COVER,BALLSCREW	軸蓋	D92xd51xL21.5	1.00	EA
6.00	MS 0103618 SOCKET HEAD CAP SCREW	六角穴圓頭螺絲	M6xP1.0xL20	6.00	EA
7.00	NV 000179920A SPACER, SUPPORT BRG(HI-TORQUE)	間隔圈(高扭力)	D55xd30xL25	1.00	EA
8.00	NV 000049206A LOCKNUT	鎖緊螺帽	[SHIANG KAIJIM30X1.5	1.00	EA
9.00	NVA000691602A BUMPER(HI-TORQUE)	止動環(高扭力)	D75xd42xL25	1.00	EA
11.00	MS 0103819 SOCKET HEAD CAP SCREW	六角穴圓頭螺絲	M8xP1.25xL25	4.00	EA
12.00	MW 0103810 FLAT WASHER	平墊圈	M8 (d8*D22.2)	4.00	EA
13.00	NV 001179200A COUPLING	聯軸器	D81xd16xL81	1.00	EA
14.00	NV 000190203B BALL SCREW, X-AXIS(HI-TORQUE)	X軸滾珠導螺桿(高扭力)	[PMIJR40-10C1-FDVE-1029-1313-0	1.00	ST
16.00	NV 001050200A T NUT	T型螺帽	L28xW28xH20	2.00	EA
17.01	NV 001117608A HOUSING, BEARING(D40)	XYZ軸承座(D40)	L128xW66xH80	1.00	EA
18.00	MS 0104020 SOCKET HEAD CAP SCREW	六角穴圓頭螺絲	M10xP1.5xL30	4.00	EA
19.00	NV 00032530104 TAPER PIN	斜銷	D8x60L	2.00	EA
20.00	NV 00002660110 BEARING, BALL SCREW SUPPORT	滾珠導桿斜角滾珠軸承	NSK 30TAC62BDFDC10PN7B (3PCS/S	1.00	ST
21.00	NVA001011554A COVER,BALLSCREW(HI-TORQUE)	軸承座蓋(高扭力、標準型共用)	W76xd45.5xL20	1.00	EA
22.00	MS 0103517 SOCKET HEAD CAP SCREW	六角穴圓頭螺絲	M5xP0.8xL16	4.00	EA

PRODUCT BOM MASTER AND SUB-ITEMS LIST

Item	Part NO.	Description	中文名稱	Specification	Qty	Unit
23.00	NVA000179919A	SPACER(HI-TORQUE)	間隔圈(高扭力)	D45x30xL25	1.00	EA
24.00	NV 000049206A	LOCKNUT	鎖緊螺帽	[SHIANG KAIJM30X1.5	1.00	EA
26.00	NVA000691602A	BUMPER(HI-TORQUE)	止動環(高扭力)	D75x42xL25	1.00	EA
27.00	NV 00032530104	TAPER PIN	斜銷	D8x60L	2.00	EA
28.00	NV 001033100A	PLUG, LINEAR GUIDE	防塵蓋	[STAR]1605-300-90(Φ15)	2.00	EA
29.00	MS 0104220	SOCKET HEAD CAP SCREW	六角穴圓頭螺絲	M12xP1.75xL30	4.00	EA
30.00	NV 001033101A	PLUG, TABLE	防塵蓋	[STAR]1605-400-90(Φ20)	4.00	EA
31.00	NV 001066129A	BRACKET, BALLSCREW(HI-TORQUE)	導桿托架(高扭力)	L110xW115xH94.5	1.00	EA
32.00	MS 0103820	SOCKET HEAD CAP SCREW	六角穴圓頭螺絲	M8xP1.25xL30	6.00	EA
33.00	MW 0183810	SPRING WASHER	彈簧墊圈	M8	6.00	EA
35.00	MS 0103517	SOCKET HEAD CAP SCREW	六角穴圓頭螺絲	M5xP0.8xL16	4.00	EA
36.01	NV 001011623A	MOTOR COVER,X-AXIS	X軸馬達護蓋	L494.2xW224xH36.1	1.00	EA
37.00	MS 0103517	SOCKET HEAD CAP SCREW	六角穴圓頭螺絲	M5xP0.8xL16	2.00	EA
38.00	MS 0103517	SOCKET HEAD CAP SCREW	六角穴圓頭螺絲	M5xP0.8xL16	2.00	EA

REV	DESCRIPTION	DATE	ECN
A	機軸/車軸/車軸箱/車軸箱蓋/車軸箱蓋蓋	2006/7/1	S
B	機軸/車軸/車軸箱/車軸箱蓋/車軸箱蓋蓋	2007/5/15	563



MODEL: VMC1000

PART NAME	PART NUMBER
X-AXIS TRANSMISSION(HI-TORQUE)	NVA000004602CT
車軸/車軸箱/車軸箱蓋/車軸箱蓋蓋	機軸
DATE 2006/7/1	SCALE 1:15
REV. B	PAGE 1 OF 1

PRODUCT BOM MASTER AND SUB-ITEMS LIST

Master Item Part NO.: NVA000004602CT

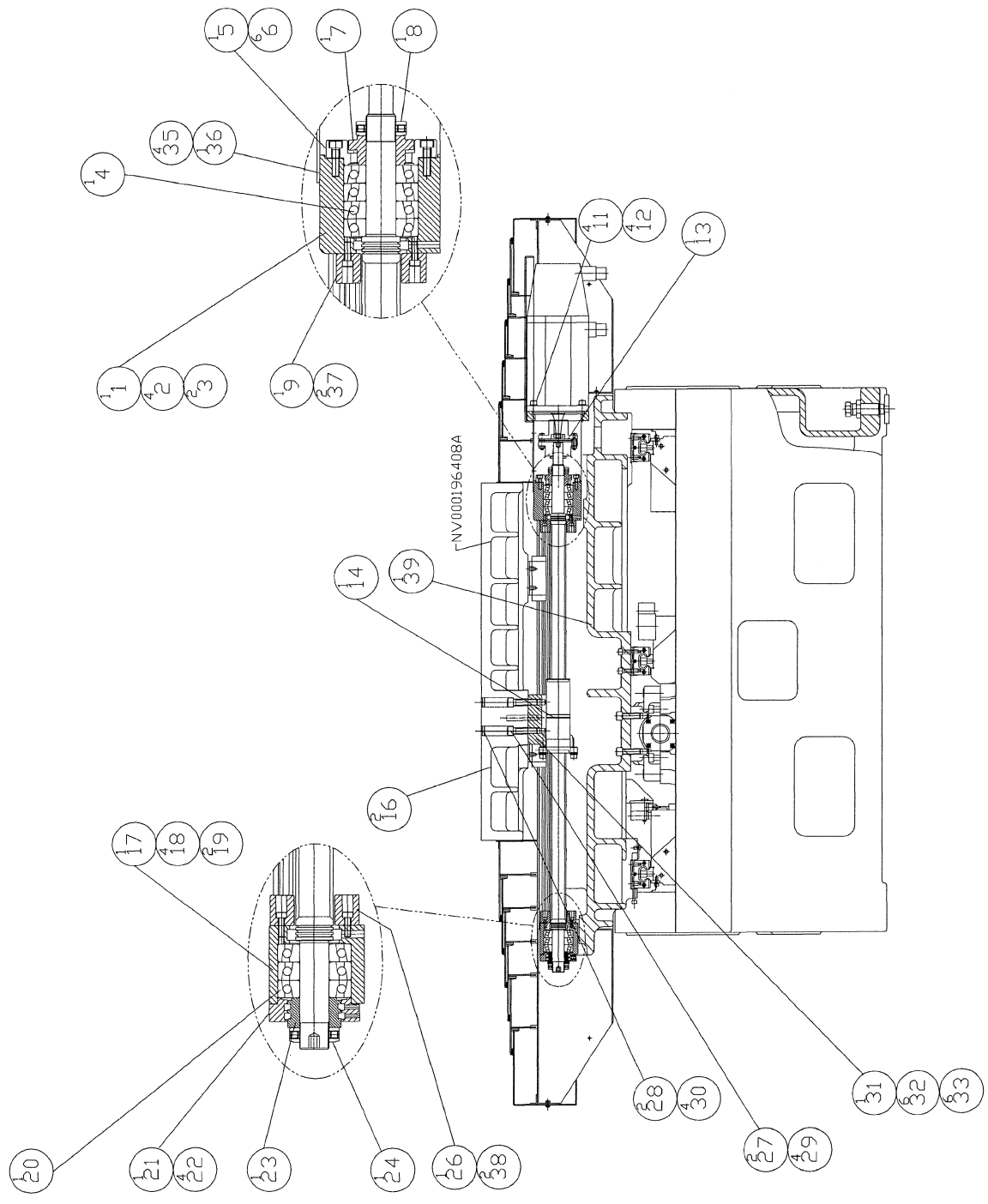
Description: X-AXIS TRANSMISSION(HI-TORQUE)
X軸傳動(高扭力)

Item	Part NO.	Description	中文名稱	Specification	Qty	Unit
1.02	NV 001066249A	SEAT, X,Y AXIS MOTOR(FANUC)D40	X,Y軸馬達座(FANUC)D40	L228.5xW200xH130	1.00	EA
2.00	MS 0104224	SOCKET HEAD CAP SCREW	六角穴圓頭螺絲	M12xP1.75xL50	4.00	EA
3.00	NV 00032530104	TAPER PIN	斜銷	D8x60L	2.00	EA
4.00	NV 00002660109	BEARING, BALL SCREW SUPPORT	滾珠導桿斜角滾珠軸承	NSK 30TAC62BDFFC10PN7B (4PCS/S)	1.00	ST
5.00	NV 001011508A	COVER,BALLSCREW	軸蓋	D92xd51xL21.5	1.00	EA
6.00	MS 0103618	SOCKET HEAD CAP SCREW	六角穴圓頭螺絲	M6xP1.0xL20	6.00	EA
7.00	NV 000179920A	SPACER, SUPPORT BRG(HI-TORQUE)	間隔圈(高扭力)	D55xd30xL25	1.00	EA
8.00	NV 000049206A	LOCKNUT	鎖緊螺帽	[SHIANG KAIJM30X1.5	1.00	EA
9.00	NVA000691602A	BUMPER(HI-TORQUE)	止動環(高扭力)	D75xd42xL25	1.00	EA
11.00	MS 0103819	SOCKET HEAD CAP SCREW	六角穴圓頭螺絲	M8xP1.25xL25	4.00	EA
12.00	MW 0103810	FLAT WASHER	平墊圈	M8 (d8*D22.2)	4.00	EA
13.00	NV 001179200A	COUPLING	聯軸器	D81xd16xL81	1.00	EA
14.00	NV 000190203C	BALL SCREW, X-AXIS(HI-TORQUE)	X軸滾珠導桿(高扭力)	[PMIJR40-10C1-FDVE-1249-1533-0	1.00	ST
16.00	NV 001050200A	T NUT	T型螺帽	L28xW28xH20	2.00	EA
17.01	NV 001117608A	HOUSING, BEARING(D40)	XYZ軸承座(D40)	L128xW66xH80	1.00	EA
18.00	MS 0104020	SOCKET HEAD CAP SCREW	六角穴圓頭螺絲	M10xP1.5xL30	4.00	EA
19.00	NV 00032530104	TAPER PIN	斜銷	D8x60L	2.00	EA
20.00	NV 00002660110	BEARING, BALL SCREW SUPPORT	滾珠導桿斜角滾珠軸承	NSK 30TAC62BDFFC10PN7B (3PCS/S)	1.00	ST
21.00	NVA001011554A	COVER,BALLSCREW(HI-TORQUE)	軸承座蓋(高扭力、標準型共用)	W76xd45.5xL20	1.00	EA
22.00	MS 0103517	SOCKET HEAD CAP SCREW	六角穴圓頭螺絲	M5xP0.8xL16	4.00	EA

PRODUCT BOM MASTER AND SUB-ITEMS LIST

Item	Part NO.	Description	中文名稱	Specification	Qty	Unit
23.00	NVA000179919A	SPACER(HI-TORQUE)	間隔圈(高扭力)	D45xd30xL25	1.00	EA
24.00	NV 000049206A	LOCKNUT	鎖緊螺帽	[SHIANG KAIJM30X1.5	1.00	EA
26.00	NVA000691602A	BUMPER(HI-TORQUE)	止動環(高扭力)	D75xd42xL25	1.00	EA
27.00	NV 00032530104	TAPER PIN	斜銷	D8x60L	2.00	EA
28.00	NV 001033100A	PLUG, LINEAR GUIDE	防塵蓋	[STAR]1605-300-90(Φ15)	2.00	EA
29.00	MS 0104220	SOCKET HEAD CAP SCREW	六角穴圓頭螺絲	M12xP1.75xL30	4.00	EA
30.00	NV 001033101A	PLUG, TABLE	防塵蓋	[STAR]1605-400-90(Φ20)	4.00	EA
31.00	NV 001066129A	BRACKET, BALLSCREW(HI-TORQUE)	導桿托架(高扭力)	L110xW115xH94.5	1.00	EA
32.00	MS 0103820	SOCKET HEAD CAP SCREW	六角穴圓頭螺絲	M8xP1.25xL30	6.00	EA
33.00	MW 0183810	SPRING WASHER	彈簧墊圈	M8	6.00	EA
35.00	MS 0103517	SOCKET HEAD CAP SCREW	六角穴圓頭螺絲	M5xP0.8xL16	4.00	EA
36.01	NV 001011623A	MOTOR COVER,X-AXIS	X軸馬達護蓋	L494.2xW224xH36.1	1.00	EA
37.00	MS 0103517	SOCKET HEAD CAP SCREW	六角穴圓頭螺絲	M5xP0.8xL16	2.00	EA
38.00	MS 0103517	SOCKET HEAD CAP SCREW	六角穴圓頭螺絲	M5xP0.8xL16	2.00	EA
39.01	NVA000195400C	SADDLE	鞍座	L1829xW486xH186.5	1.00	EA

REV	DESCRIPTION	DATE	ECN
A	VMC600-500L32M/32M/408A-VMC600/500L	2006/5/31	9
B	4260AV-00011522M-NV-00011623A	2007/5/15	563



快速進給32m/min

MODEL	VMC600
PART NAME	X-AXIS TRANSMISSION(32m/min)
PART NUMBER	NVA000004626A
DATE	2006/5/31
SCALE	1:1.4
PAGE	1 OF 1
REV.	B

PRODUCT BOM MASTER AND SUB-ITEMS LIST

Master Item Part NO.: NVA000004626A

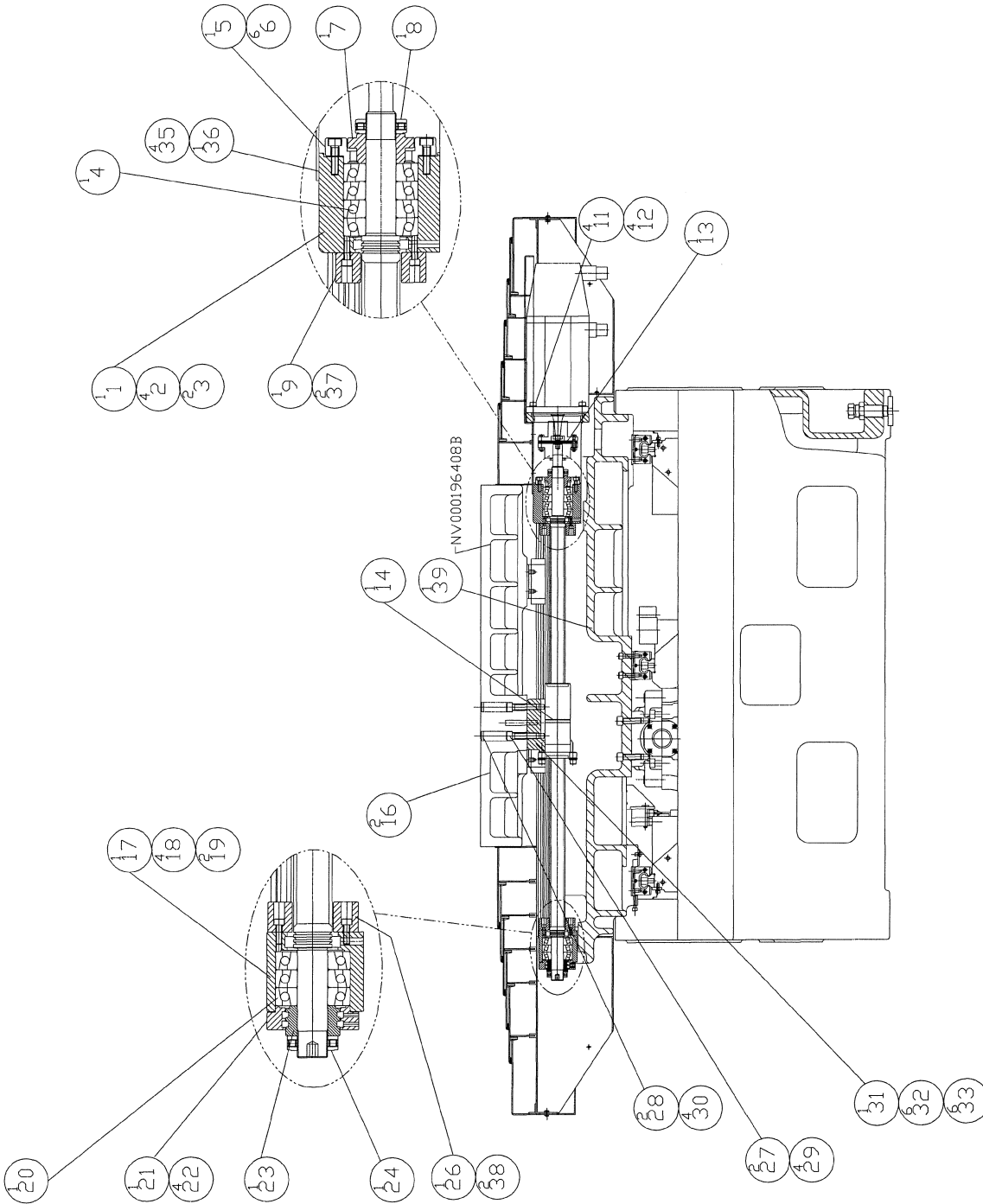
Description: X-AXIS TRANSMISSION(32m/min)
X軸傳動(32m/min)

Item Part NO.	Description	中文名稱	Specification	Qty	Unit
1.01	NVA001066127A SEAT, X,Y AXIS MOTOR(FANUC)D32	X,Y軸馬達座(FANUC)D32	L228.5xW200xH130	1.00	EA
2.00	MS 0104224 SOCKET HEAD CAP SCREW	六角穴圓頭螺絲	M12xP1.75xL50	4.00	EA
3.00	NV 00032530104 TAPER PIN	斜銷	D8x60L	2.00	EA
4.00	NV 00002660102 BEARING, BALL SCREW SUPPORT	滾珠導桿斜角滾珠軸承	NSK 25TAC62BDFFC10PN7B (4PCS/S)	1.00	ST
5.00	NV 001011508A COVER,BALLSCREW	軸蓋	D92xd51xL21.5	1.00	EA
6.00	MS 0103618 SOCKET HEAD CAP SCREW	六角穴圓頭螺絲	M6xP1.0xL20	6.00	EA
7.00	NV 000179903A SPACER, SUPPORT BRG	間隔圈	D55xd25xL25	1.00	EA
8.00	NV 000049202A LOCKNUT	鎖緊螺帽	[SHIANG KAIJM25x1.5	1.00	EA
9.00	NVA000691600A BUMPER	止動環	D75xd34xL25	1.00	EA
11.00	MS 0103819 SOCKET HEAD CAP SCREW	六角穴圓頭螺絲	M8xP1.25xL25	4.00	EA
12.00	MW 0103810 FLAT WASHER	平墊圈	M8 (d8*D22.2)	4.00	EA
13.00	NV 001179200A COUPLING	聯軸器	D81xd16xL81	1.00	EA
14.00	NV 000190215A BALL SCREW, X-AXIS	X軸滾珠導螺桿(32m/min)	[PMI]R32-12C1-FDVE-829-1113-C3	1.00	ST
16.00	NV 001050200A T NUT	T型螺帽	L28xW28xH20	2.00	EA
17.01	NVA00117604A HOUSING, BEARING(D32)	XYZ軸承座(D32)	L128xW66xH80	1.00	EA
18.00	MS 0104020 SOCKET HEAD CAP SCREW	六角穴圓頭螺絲	M10xP1.5xL30	4.00	EA
19.00	NV 00032530104 TAPER PIN	斜銷	D8x60L	2.00	EA
20.00	NV 00002660103 BEARING, BALL SCREW SUPPORT	滾珠導桿斜角滾珠軸承	NSK 25TAC62BDFFC10PN7B (3PCS/S)	1.00	ST
21.00	NVA001011554A COVER,BALLSCREW(HI-TORQUE)	軸承座蓋(高扭力、標準型共用)	W76xd45.5xL20	1.00	EA
22.00	MS 0103517 SOCKET HEAD CAP SCREW	六角穴圓頭螺絲	M5xP0.8xL16	4.00	EA

PRODUCT BOM MASTER AND SUB-ITEMS LIST

Item Part NO.	Description	中文名稱	Specification	Qty	Unit
23.00	NVB000179902A SPACER	間隔圈	D45xd25xL25	1.00	EA
24.00	NV 000049202A LOCKNUT	鎖緊螺帽	[SHIANG KAI]M25x1.5	1.00	EA
26.00	NVA000691600A BUMPER	止動環	D75xd34xL25	1.00	EA
27.00	NV 00032530104 TAPER PIN	斜銷	D8x60L	2.00	EA
28.00	NV 001033100A PLUG, LINEAR GUIDE	防塵蓋	[STAR]1605-300-90(Φ15)	2.00	EA
29.00	MS 0104220 SOCKET HEAD CAP SCREW	六角穴圓頭螺絲	M12xP1.75xL30	4.00	EA
30.00	NV 001033101A PLUG, TABLE	防塵蓋	[STAR]1605-400-90(Φ20)	4.00	EA
31.00	NVA001066103A BRACKET, BALLSCREW	導桿托架	L110xW115xH91.3	1.00	EA
32.00	MS 0103820 SOCKET HEAD CAP SCREW	六角穴圓頭螺絲	M8xP1.25xL30	6.00	EA
33.00	MW 0183810 SPRING WASHER	彈簧墊圈	M8	6.00	EA
35.00	MS 0103517 SOCKET HEAD CAP SCREW	六角穴圓頭螺絲	M5xP0.8xL16	4.00	EA
36.01	NV 001011623A MOTOR COVER,X-AXIS	X軸馬達護蓋	L494.2xW224xH36.1	1.00	EA
37.00	MS 0103517 SOCKET HEAD CAP SCREW	六角穴圓頭螺絲	M5xP0.8xL16	2.00	EA
38.00	MS 0103517 SOCKET HEAD CAP SCREW	六角穴圓頭螺絲	M5xP0.8xL16	2.00	EA

REV	DESCRIPTION	DATE	ECN
A	零件名稱	2006/5/31	INV0057
B	零件名稱	2006/5/31	9
B	#36(NV_00101529A-NV_00101623A)	2007/5/15	563



快速進給32m/min

MODEL: VMC800	PART NUMBER	NVA000004626B
PART NAME	X-AXIS TRANSMISSION(32m/min)	
	X 軸傳動(32m/min)	
DATE: 2006/5/31	SCALE: 1:1.4	REV: C
DESIGNER: PHL		
	PAGE: 1	DF: 1

PRODUCT BOM MASTER AND SUB-ITEMS LIST

Master Item Part NO.: NVA000004626B

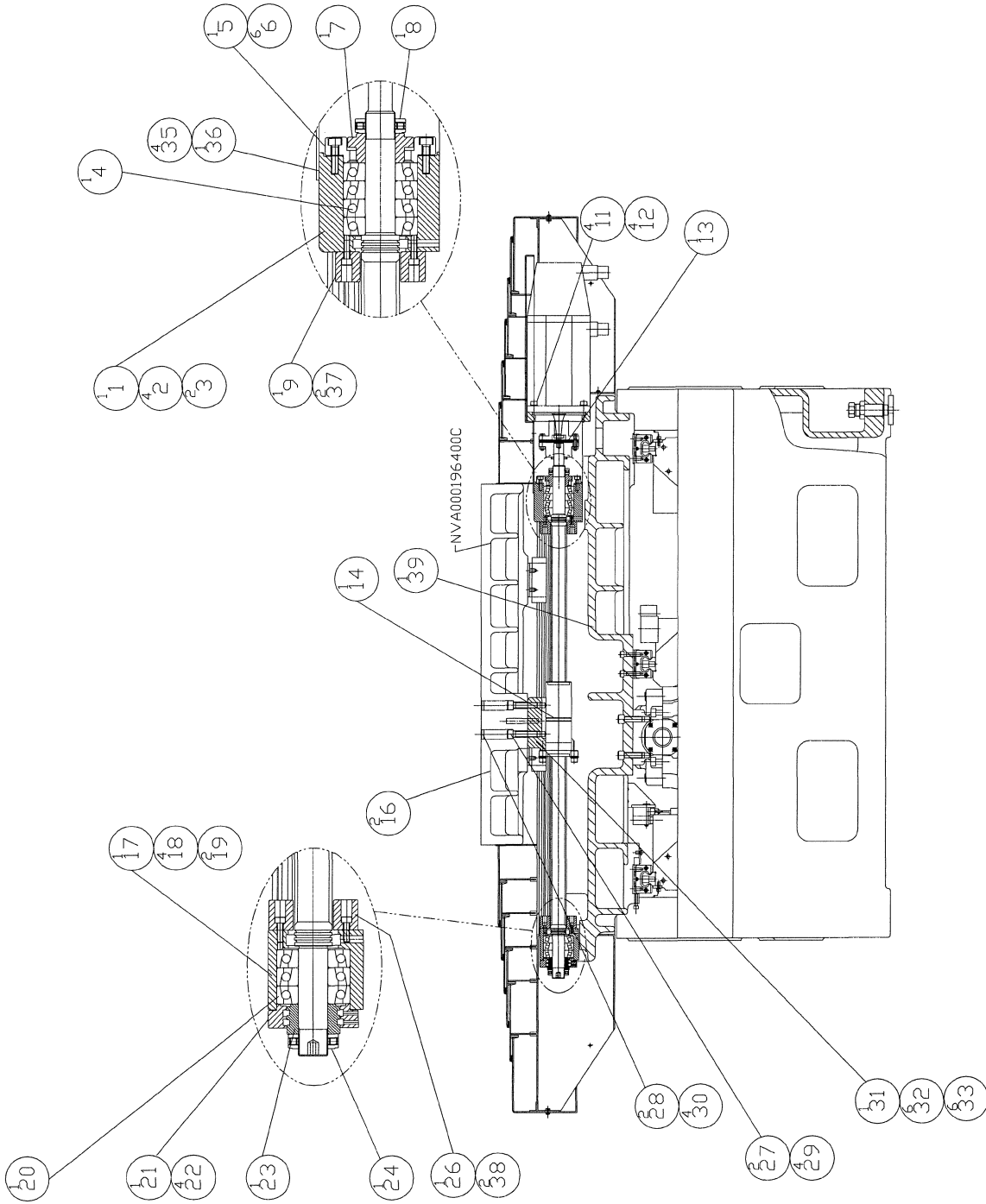
Description: X-AXIS TRANSMISSION(32m/min)
X軸傳動(32m/min)

Item	Part NO.	Description	中文名稱	Specification	Qty	Unit
1.01	NVA001066127A	SEAT, X,Y AXIS MOTOR(FANUC)D32	X,Y軸馬達座(FANUC)D32	L228.5xW200xH130	1.00	EA
2.00	MS 0104224	SOCKET HEAD CAP SCREW	六角穴圓頭螺絲	M12xP1.75xL50	4.00	EA
3.00	NV 00032530104	TAPER PIN	斜銷	D8x60L	2.00	EA
4.00	NV 00002660102	BEARING, BALL SCREW SUPPORT	滾珠導桿斜角滾珠軸承	NSK 25TAC62BDFFC10PN7B (4PCS/S	1.00	ST
5.00	NV 001011508A	COVER,BALLSCREW	軸蓋	D92xd51xL21.5	1.00	EA
6.00	MS 0103618	SOCKET HEAD CAP SCREW	六角穴圓頭螺絲	M6xP1.0xL20	6.00	EA
7.00	NV 000179903A	SPACER, SUPPORT BRG	間隔圈	D55xd25xL25	1.00	EA
8.00	NV 000049202A	LOCKNUT	鎖緊螺帽	[SHIANG KAIJM25x1.5	1.00	EA
9.00	NVA000691600A	BUMPER	止動環	D75xd34xL25	1.00	EA
11.00	MS 0103819	SOCKET HEAD CAP SCREW	六角穴圓頭螺絲	M8xP1.25xL25	4.00	EA
12.00	MW 0103810	FLAT WASHER	平墊圈	M8 (d8*D22.2)	4.00	EA
13.00	NV 001179200A	COUPLING	聯軸器	D81xd16xL81	1.00	EA
14.00	NV 000190215B	BALL SCREW, X-AXIS	X軸滾珠導螺桿(32m/min)	[PMI]R32-12C1-FDVE-1029-1313-C	1.00	ST
16.00	NV 001050200A	T NUT	T型螺帽	L28xW28xH20	2.00	EA
17.01	NVA001117604A	HOUSING, BEARING(D32)	XYZ軸承座(D32)	L128xW66xH80	1.00	EA
18.00	MS 0104020	SOCKET HEAD CAP SCREW	六角穴圓頭螺絲	M10xP1.5xL30	4.00	EA
19.00	NV 00032530104	TAPER PIN	斜銷	D8x60L	2.00	EA
20.00	NV 00002660103	BEARING, BALL SCREW SUPPORT	滾珠導桿斜角滾珠軸承	NSK 25TAC62BDFFC10PN7B (3PCS/S	1.00	ST
21.00	NVA001011554A	COVER,BALLSCREW(HI-TORQUE)	軸承座蓋(高扭力、標準型共用)	W76xd45.5xL20	1.00	EA
22.00	MS 0103517	SOCKET HEAD CAP SCREW	六角穴圓頭螺絲	M5xP0.8xL16	4.00	EA

PRODUCT BOM MASTER AND SUB-ITEMS LIST

Item	Part NO.	Description	中文名稱	Specification	Qty	Unit
23.00	NVB000179902A	SPACER	間隔圈	D45xd25xL25	1.00	EA
24.00	NV 000049202A	LOCKNUT	鎖緊螺帽	[SHIANG KAI]M25x1.5	1.00	EA
26.00	NVA000691600A	BUMPER	止動環	D75xd34xL25	1.00	EA
27.00	NV 00032530104	TAPER PIN	斜銷	D8x60L	2.00	EA
28.00	NV 001033100A	PLUG, LINEAR GUIDE	防塵蓋	[STAR]1605-300-90(Φ15)	2.00	EA
29.00	MS 0104220	SOCKET HEAD CAP SCREW	六角穴圓頭螺絲	M12xP1.75xL30	4.00	EA
30.00	NV 001033101A	PLUG, TABLE	防塵蓋	[STAR]1605-400-90(Φ20)	4.00	EA
31.00	NVA001066103A	BRACKET, BALLSCREW	導桿托架	L110xW115xH91.3	1.00	EA
32.00	MS 0103820	SOCKET HEAD CAP SCREW	六角穴圓頭螺絲	M8xP1.25xL30	6.00	EA
33.00	MW 0183810	SPRING WASHER	彈簧墊圈	M8	6.00	EA
35.00	MS 0103517	SOCKET HEAD CAP SCREW	六角穴圓頭螺絲	M5xP0.8xL16	4.00	EA
36.01	NV 001011623A	MOTOR COVER,X-AXIS	X軸馬達護蓋	L494.2xW224xH36.1	1.00	EA
37.00	MS 0103517	SOCKET HEAD CAP SCREW	六角穴圓頭螺絲	M5xP0.8xL16	2.00	EA
38.00	MS 0103517	SOCKET HEAD CAP SCREW	六角穴圓頭螺絲	M5xP0.8xL16	2.00	EA

REV	DESCRIPTION	DATE	ECN
A	機軸 X-軸驅動機(VMC1000) 2006/7/1	2006/7/1	S
B	#36(NV 0001529A-XV 0001623A) 2007/5/15	2007/5/15	S63



快速進給32m/min

MODEL: VMC1000	PART NUMBER
PART NAME	NVA000004626C
X-AXIS TRANSMISSION(32m/min)	PAGE 1 OF 1
X-軸驅動機(32m/min)	REV. B
DATE 2006/7/1	SCALE 1:1.4
製圖 PHL	

PRODUCT BOM MASTER AND SUB-ITEMS LIST

Master Item Part NO.: NVA000004626C

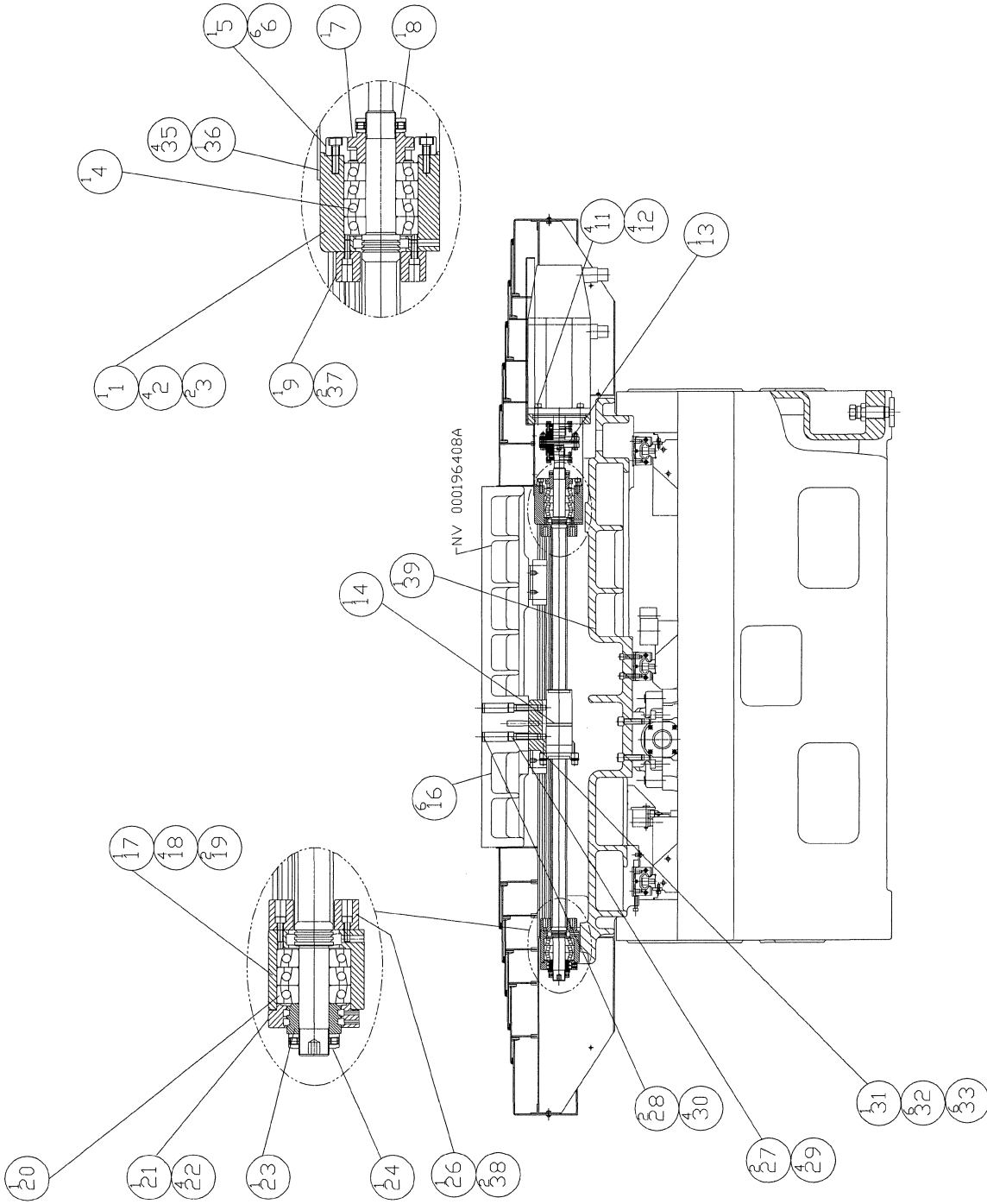
Description: X-AXIS TRANSMISSION(32m/min)
X軸傳動(32m/min)

Item	Part NO.	Description	中文名稱	Specification	Qty	Unit
1.01	NVA001066127A	SEAT, X,Y AXIS MOTOR(FANUC)D32	X,Y軸馬達座(FANUC)D32	L228.5xW200xH130	1.00	EA
2.00	MS 0104224	SOCKET HEAD CAP SCREW	六角穴圓頭螺絲	M12xP1.75xL50	4.00	EA
3.00	NV 00032530104	TAPER PIN	斜銷	D8x60L	2.00	EA
4.00	NV 00002660102	BEARING, BALL SCREW SUPPORT	滾珠導桿斜角滾珠軸承	NSK 25TAC62BDFFC10PN7B (4PCS/S	1.00	ST
5.00	NV 001011508A	COVER,BALLSCREW	軸蓋	D92xd51xL21.5	1.00	EA
6.00	MS 0103618	SOCKET HEAD CAP SCREW	六角穴圓頭螺絲	M6xP1.0xL20	6.00	EA
7.00	NV 000179903A	SPACER, SUPPORT BRG	間隔圈	D55xd25xL25	1.00	EA
8.00	NV 000049202A	LOCKNUT	鎖緊螺帽	[SHIANG KAIJM25x1.5	1.00	EA
9.00	NVA000691600A	BUMPER	止動環	D75xd34xL25	1.00	EA
11.00	MS 0103819	SOCKET HEAD CAP SCREW	六角穴圓頭螺絲	M8xP1.25xL25	4.00	EA
12.00	MW 0103810	FLAT WASHER	平墊圈	M8 (d8*D22.2)	4.00	EA
13.00	NV 001179200A	COUPLING	聯軸器	D81xd16xL81	1.00	EA
14.00	NV 000190215C	BALL SCREW, X-AXIS	X軸滾珠導螺桿(32m/min)	[PMI]R32-12C1-FDVE-1249-1533-C	1.00	ST
16.00	NV 001050200A	T NUT	T型螺帽	L28xW28xH20	2.00	EA
17.01	NVA001117604A	HOUSING, BEARING(D32)	XYZ軸承座(D32)	L128xW66xH80	1.00	EA
18.00	MS 0104020	SOCKET HEAD CAP SCREW	六角穴圓頭螺絲	M10xP1.5xL30	4.00	EA
19.00	NV 00032530104	TAPER PIN	斜銷	D8x60L	2.00	EA
20.00	NV 00002660103	BEARING, BALL SCREW SUPPORT	滾珠導桿斜角滾珠軸承	NSK 25TAC62BDFFC10PN7B (3PCS/S	1.00	ST
21.00	NVA001011554A	COVER,BALLSCREW(HI-TORQUE)	軸承座蓋(高扭力、標準型共用)	W76xd45.5xL20	1.00	EA
22.00	MS 0103517	SOCKET HEAD CAP SCREW	六角穴圓頭螺絲	M5xP0.8xL16	4.00	EA

PRODUCT BOM MASTER AND SUB-ITEMS LIST

Item	Part NO.	Description	中文名稱	Specification	Qty	Unit
23.00	NVB000179902A	SPACER	間隔圈	D45xd25xL25	1.00	EA
24.00	NV 000049202A	LOCKNUT	鎖緊螺帽	[SHIANG KAI]M25x1.5	1.00	EA
26.00	NVA000691600A	BUMPER	止動環	D75xd34xL25	1.00	EA
27.00	NV 00032530104	TAPER PIN	斜銷	D8x60L	2.00	EA
28.00	NV 001033100A	PLUG, LINEAR GUIDE	防塵蓋	[STAR]1605-300-90(Φ15)	2.00	EA
29.00	MS 0104220	SOCKET HEAD CAP SCREW	六角穴圓頭螺絲	M12xP1.75xL30	4.00	EA
30.00	NV 001033101A	PLUG, TABLE	防塵蓋	[STAR]1605-400-90(Φ20)	4.00	EA
31.00	NVA001066103A	BRACKET, BALLSCREW	導桿托架	L110xW115xH91.3	1.00	EA
32.00	MS 0103820	SOCKET HEAD CAP SCREW	六角穴圓頭螺絲	M8xP1.25xL30	6.00	EA
33.00	MW 0183810	SPRING WASHER	彈簧墊圈	M8	6.00	EA
35.00	MS 0103517	SOCKET HEAD CAP SCREW	六角穴圓頭螺絲	M5xP0.8xL16	4.00	EA
36.01	NV 001011623A	MOTOR COVER,X-AXIS	X軸馬達護蓋	L494.2xW224xH36.1	1.00	EA
37.00	MS 0103517	SOCKET HEAD CAP SCREW	六角穴圓頭螺絲	M5xP0.8xL16	2.00	EA
38.00	MS 0103517	SOCKET HEAD CAP SCREW	六角穴圓頭螺絲	M5xP0.8xL16	2.00	EA
39.01	NVA000195400C	SADDLE	鞍座	L1829xW486xH186.5	1.00	ST

REV.	DESCRIPTION	DATE	ECN.
A	MODEL: VMC600 #36(NV_000196408A-NV_00016230)	2006/5/31	9
B	#36(NV_00016230-NV_00016230)	2007/2/19	563



MODEL: VMC600	PART NUMBER	NVA000004602AC
PART NAME	X-AXIS TRANSMISSION(SIEMENS)	
DATE: 2006/5/31	SCALE: 1:1.4	PAGE 1 OF 1
DATE: 2006/5/31	SCALE: 1:1.4	REV. B

PRODUCT BOM MASTER AND SUB-ITEMS LIST

Master Item Part NO.: NVA000004602AC

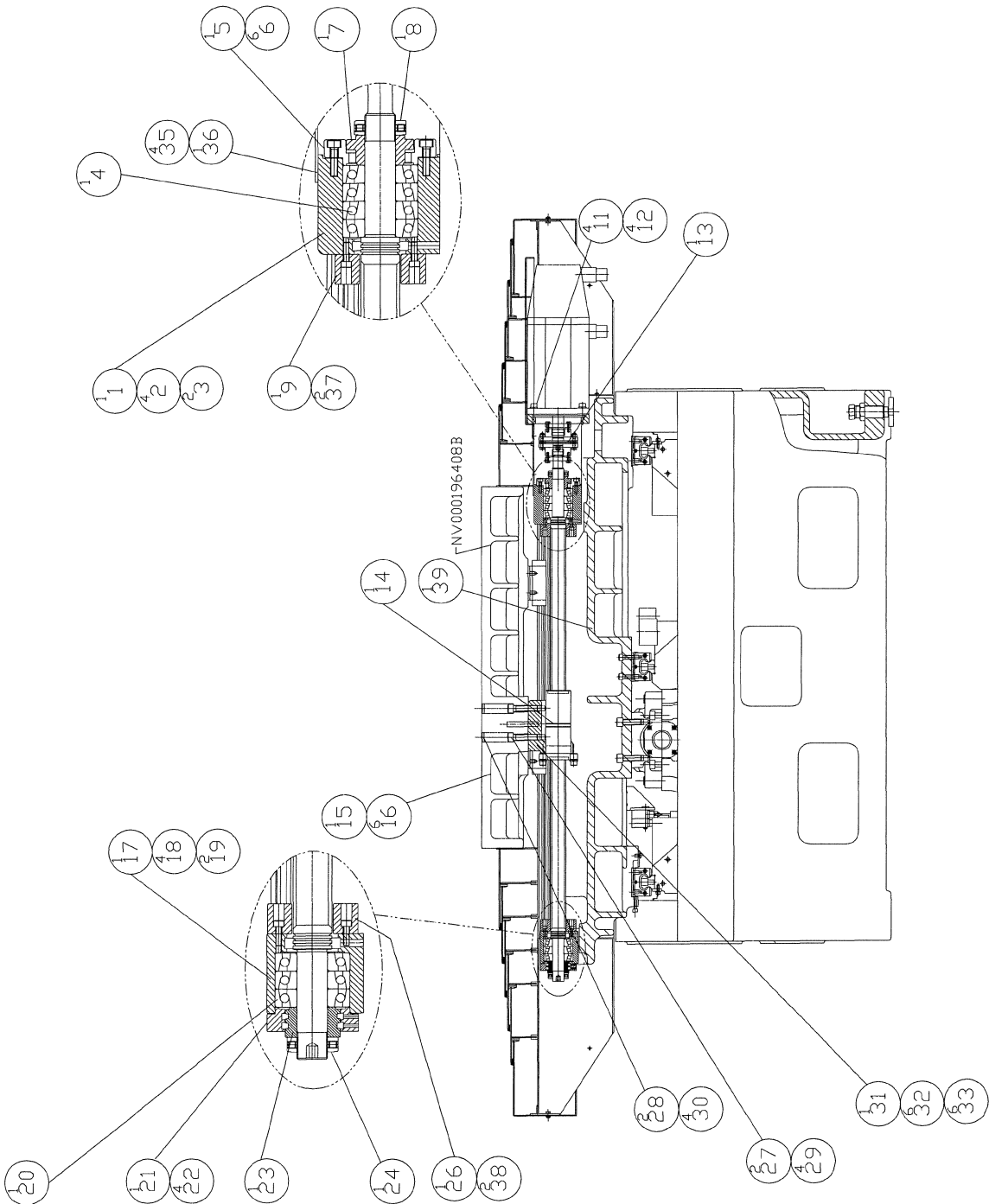
Description: X-AXIS TRANSMISSION(SIEMENS)
X軸傳動(SIEMENS)

Item Part NO.	Description	中文名稱	Specification	Qty	Unit
1.02	NVA001066137A SEAT, X,Y AXIS MOTOR(S/HEI)D32	XY軸馬達座(SIEMENSE/HEIDENHAIN)D32	L228.5xW200xH130	1.00	EA
2.00	MS 0104224 SOCKET HEAD CAP SCREW	六角穴圓頭螺絲	M12xP1.75xL50	4.00	EA
3.00	NV 00032530104 TAPER PIN	斜銷	D8x60L	2.00	EA
4.00	NV 00002660102 BEARING, BALL SCREW SUPPORT	滾珠導桿斜角滾珠軸承	NSK 25TAC62BDFFC10PN7B (4PCS/S)	1.00	ST
5.00	NV 001011508A COVER,BALLSCREW	軸蓋	D92xd51xL21.5	1.00	EA
6.00	MS 0103618 SOCKET HEAD CAP SCREW	六角穴圓頭螺絲	M6xP1.0xL20	6.00	EA
7.00	NV 000179903A SPACER, SUPPORT BRG	間隔圈	D55xd25xL25	1.00	EA
8.00	NV 000049202A LOCKNUT	鎖緊螺帽	[SHIANG KAIJM25x1.5	1.00	EA
9.00	NVA000691600A BUMPER	止動環	D75xd34xL25	1.00	EA
11.00	MS 0103819 SOCKET HEAD CAP SCREW	六角穴圓頭螺絲	M8xP1.25xL25	4.00	EA
12.00	MW 0103810 FLAT WASHER	平墊圈	M8 (d8*D22.2)	4.00	EA
13.00	NV 001179201A COUPLING	聯軸器	D82xd20xL76.2	1.00	EA
14.00	NV 000190200AG BALL SCREW, X-AXIS	X軸滾珠導螺桿(磨)	[PMI]R32-10D1-FDVE-829-1113-0.	1.00	ST
16.00	NV 001050200A T NUT	T型螺帽	L28xW28xH20	2.00	EA
17.01	NVA00117604A HOUSING, BEARING(D32)	XYZ軸承座(D32)	L128xW66xH80	1.00	EA
18.00	MS 0104020 SOCKET HEAD CAP SCREW	六角穴圓頭螺絲	M10xP1.5xL30	4.00	EA
19.00	NV 00032530104 TAPER PIN	斜銷	D8x60L	2.00	EA
20.00	NV 00002660103 BEARING, BALL SCREW SUPPORT	滾珠導桿斜角滾珠軸承	NSK 25TAC62BDFFC10PN7B (3PCS/S)	1.00	ST
21.00	NVA001011554A COVER,BALLSCREW(HI-TORQUE)	軸承座蓋(高扭力、標準型共用)	W76xd45.5xL20	1.00	EA
22.00	MS 0103517 SOCKET HEAD CAP SCREW	六角穴圓頭螺絲	M5xP0.8xL16	4.00	EA

PRODUCT BOM MASTER AND SUB-ITEMS LIST

Item	Part NO.	Description	中文名稱	Specification	Qty	Unit
23.00	NVB000179902A	SPACER	間隔圈	D45xD25xL25	1.00	EA
24.00	NV 000049202A	LOCKNUT	鎖緊螺帽	[SHIANG KAIJM25x1.5	1.00	EA
26.00	NVA000691600A	BUMPER	止動環	D75xD34xL25	1.00	EA
27.00	NV 00032530104	TAPER PIN	斜銷	D8x60L	2.00	EA
28.00	NV 001033100A	PLUG, LINEAR GUIDE	防塵蓋	[STAR]1605-300-90(Φ15)	2.00	EA
29.00	MS 0104220	SOCKET HEAD CAP SCREW	六角穴圓頭螺絲	M12xP1.75xL30	4.00	EA
30.00	NV 001033101A	PLUG, TABLE	防塵蓋	[STAR]1605-400-90(Φ20)	4.00	EA
31.00	NVA001066103A	BRACKET, BALLSCREW	導桿托架	L110xW115xH91.3	1.00	EA
32.00	MS 0103820	SOCKET HEAD CAP SCREW	六角穴圓頭螺絲	M8xP1.25xL30	6.00	EA
33.00	MW 0183810	SPRING WASHER	彈簧墊圈	M8	6.00	EA
35.00	MS 0103517	SOCKET HEAD CAP SCREW	六角穴圓頭螺絲	M5xP0.8xL16	4.00	EA
36.01	NV 001011623A	MOTOR COVER,X-AXIS	X軸馬達護蓋	L494.2xW224xH36.1	1.00	EA
37.00	MS 0103517	SOCKET HEAD CAP SCREW	六角穴圓頭螺絲	M5xP0.8xL16	2.00	EA
38.00	MS 0103517	SOCKET HEAD CAP SCREW	六角穴圓頭螺絲	M5xP0.8xL16	2.00	EA

REV	DESCRIPTION	DATE	ECN
A	VMC800-5401529A-NV-0001623A	2006/5/31	9
B	#36(NV_00101529A-NV_0001623A)	2007/5/15	563



MODEL: VMC800	PART NUMBER
X-AXIS TRANSMISSION,SIEMENS	NVA000004602BC
X 軸傳動,SIEMENS	PAGE 1 OF 1
DATE 2006/5/31	REV. B
SCALE 1:1.3	

PRODUCT BOM MASTER AND SUB-ITEMS LIST

Master Item Part NO.: NVA000004602BC

Description: X-AXIS TRANSMISSION(SIEMENS)
X軸傳動(SIEMENS)

Item	Part NO.	Description	中文名稱	Specification	Qty	Unit
1.02	NVA001066137A	SEAT, X,Y AXIS MOTOR(S/HEI)D32	XY軸馬達座(SIEMENSE/HEIDENHAIN)D32	L228.5xW200xH130	1.00	EA
2.00	MS 0104224	SOCKET HEAD CAP SCREW	六角穴圓頭螺絲	M12xP1.75xL50	4.00	EA
3.00	NV 00032530104	TAPER PIN	斜銷	D8x60L	2.00	EA
4.00	NV 00002660102	BEARING, BALL SCREW SUPPORT	滾珠導桿斜角滾珠軸承	NSK 25TAC62BDFFC10PN7B (4PCS/S)	1.00	ST
5.00	NV 001011508A	COVER,BALLSCREW	軸蓋	D92xd51xL21.5	1.00	EA
6.00	MS 0103618	SOCKET HEAD CAP SCREW	六角穴圓頭螺絲	M6xP1.0xL20	6.00	EA
7.00	NV 000179903A	SPACER, SUPPORT BRG	間隔圈	D55xd25xL25	1.00	EA
8.00	NV 000049202A	LOCKNUT	鎖緊螺帽	[SHIANG KAIJM25x1.5	1.00	EA
9.00	NVA000691600A	BUMPER	止動環	D75xd34xL25	1.00	EA
11.00	MS 0103819	SOCKET HEAD CAP SCREW	六角穴圓頭螺絲	M8xP1.25xL25	4.00	EA
12.00	MW 0103810	FLAT WASHER	平墊圈	M8 (d8*D22.2)	4.00	EA
13.00	NV 001179201A	COUPLING	聯軸器	D82xd20xL76.2	1.00	EA
14.00	NV 000190200BG	BALL SCREW, X-AXIS	X軸滾珠導螺桿(磨)	[PMI]R32-10D1-FDVE-1029-1313-0	1.00	ST
16.00	NV 001050200A	T NUT	T型螺帽	L28xW28xH20	2.00	EA
17.01	NVA001117604A	HOUSING, BEARING(D32)	XYZ軸承座(D32)	L128xW66xH80	1.00	EA
18.00	MS 0104020	SOCKET HEAD CAP SCREW	六角穴圓頭螺絲	M10xP1.5xL30	4.00	EA
19.00	NV 00032530104	TAPER PIN	斜銷	D8x60L	2.00	EA
20.00	NV 00002660103	BEARING, BALL SCREW SUPPORT	滾珠導桿斜角滾珠軸承	NSK 25TAC62BDFFC10PN7B (3PCS/S)	1.00	ST
21.00	NVA001011554A	COVER,BALLSCREW(HI-TORQUE)	軸承座蓋(高扭力、標準型共用)	W76xd45.5xL20	1.00	EA
22.00	MS 0103517	SOCKET HEAD CAP SCREW	六角穴圓頭螺絲	M5xP0.8xL16	4.00	EA

PRODUCT BOM MASTER AND SUB-ITEMS LIST

Item	Part NO.	Description	中文名稱	Specification	Qty	Unit
23.00	NVB000179902A	SPACER	間隔圈	D45xd25xL25	1.00	EA
24.00	NV 000049202A	LOCKNUT	鎖緊螺帽	[SHIANG KAI]M25x1.5	1.00	EA
26.00	NVA000691600A	BUMPER	止動環	D75xd34xL25	1.00	EA
27.00	NV 00032530104	TAPER PIN	斜銷	D8x60L	2.00	EA
28.00	NV 001033100A	PLUG, LINEAR GUIDE	防塵蓋	[STAR]1605-300-90(Φ15)	2.00	EA
29.00	MS 0104220	SOCKET HEAD CAP SCREW	六角穴圓頭螺絲	M12xP1.75xL30	4.00	EA
30.00	NV 001033101A	PLUG, TABLE	防塵蓋	[STAR]1605-400-90(Φ20)	4.00	EA
31.00	NVA001066103A	BRACKET, BALLSCREW	導桿托架	L110xW115xH91.3	1.00	EA
32.00	MS 0103820	SOCKET HEAD CAP SCREW	六角穴圓頭螺絲	M8xP1.25xL30	6.00	EA
33.00	MW 0183810	SPRING WASHER	彈簧墊圈	M8	6.00	EA
35.00	MS 0103517	SOCKET HEAD CAP SCREW	六角穴圓頭螺絲	M5xP0.8xL16	4.00	EA
36.01	NV 001011623A	MOTOR COVER,X-AXIS	X軸馬達護蓋	L494.2xW224xH36.1	1.00	EA
37.00	MS 0103517	SOCKET HEAD CAP SCREW	六角穴圓頭螺絲	M5xP0.8xL16	2.00	EA
38.00	MS 0103517	SOCKET HEAD CAP SCREW	六角穴圓頭螺絲	M5xP0.8xL16	2.00	EA

PRODUCT BOM MASTER AND SUB-ITEMS LIST

Master Item Part NO.: NVA000004602CC

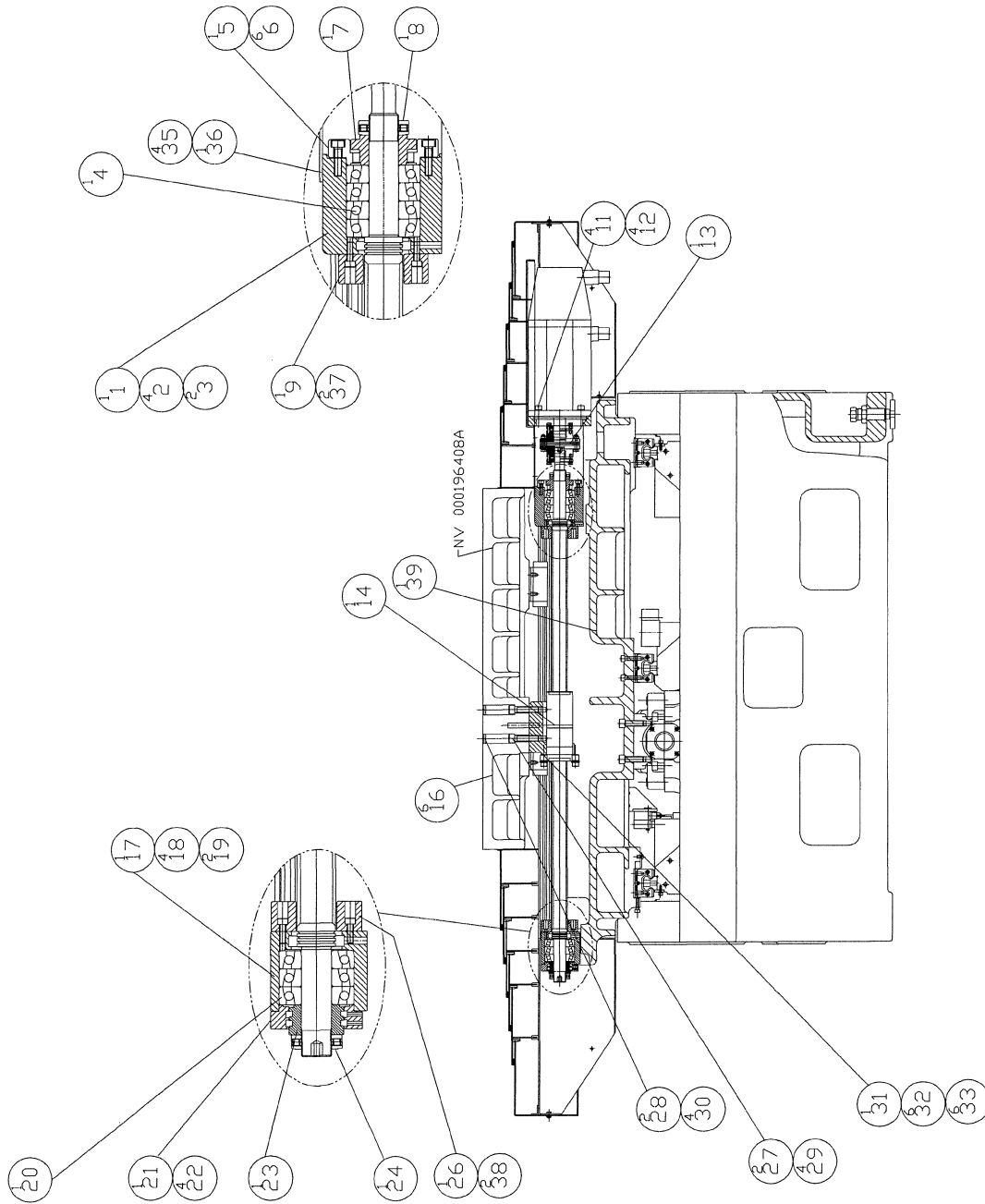
Description: X-AXIS TRANSMISSION(SIEMENS)
X軸傳動(SIEMENS)

Item	Part NO.	Description	中文名稱	Specification	Qty	Unit
1.02	NVA001066137A	SEAT, X,Y AXIS MOTOR(S/HEI)D32	XY軸馬達座(SIEMENSE/HEIDENHAIN)D32	L228.5xW200xH130	1.00	EA
2.00	MS 0104224	SOCKET HEAD CAP SCREW	六角穴圓頭螺絲	M12xP1.75xL50	4.00	EA
3.00	NV 00032530104	TAPER PIN	斜銷	D8x60L	2.00	EA
4.00	NV 00002660102	BEARING, BALL SCREW SUPPORT	滾珠導桿斜角滾珠軸承	NSK 25TAC62BDFFC10PN7B (4PCS/S	1.00	ST
5.00	NV 001011508A	COVER,BALLSCREW	軸蓋	D92xd51xL21.5	1.00	EA
6.00	MS 0103618	SOCKET HEAD CAP SCREW	六角穴圓頭螺絲	M6xP1.0xL20	6.00	EA
7.00	NV 000179903A	SPACER, SUPPORT BRG	間隔圈	D55xd25xL25	1.00	EA
8.00	NV 000049202A	LOCKNUT	鎖緊螺帽	[SHIANG KAIJIM25x1.5	1.00	EA
9.00	NVA000691600A	BUMPER	止動環	D75xd34xL25	1.00	EA
11.00	MS 0103819	SOCKET HEAD CAP SCREW	六角穴圓頭螺絲	M8xP1.25xL25	4.00	EA
12.00	MW 0103810	FLAT WASHER	平墊圈	M8 (d8*D22.2)	4.00	EA
13.00	NV 001179201A	COUPLING	聯軸器	D82xd20xL76.2	1.00	EA
14.00	NV 000190200CG	BALL SCREW, X-AXIS	X軸滾珠導螺桿(磨)	[PMI]R32-10D1-FDVE-1249-1533-0	1.00	ST
16.00	NV 001050200A	T NUT	T型螺帽	L28xW28xH20	2.00	EA
17.01	NVA001117604A	HOUSING, BEARING(D32)	XYZ軸承座(D32)	L128xW66xH80	1.00	EA
18.00	MS 0104020	SOCKET HEAD CAP SCREW	六角穴圓頭螺絲	M10xP1.5xL30	4.00	EA
19.00	NV 00032530104	TAPER PIN	斜銷	D8x60L	2.00	EA
20.00	NV 00002660103	BEARING, BALL SCREW SUPPORT	滾珠導桿斜角滾珠軸承	NSK 25TAC62BDFFC10PN7B (3PCS/S	1.00	ST
21.00	NVA001011554A	COVER,BALLSCREW(HI-TORQUE)	軸承座蓋(高扭力、標準型共用)	W76xd45.5xL20	1.00	EA
22.00	MS 0103517	SOCKET HEAD CAP SCREW	六角穴圓頭螺絲	M5xP0.8xL16	4.00	EA

PRODUCT BOM MASTER AND SUB-ITEMS LIST

Item	Part NO.	Description	中文名稱	Specification	Qty	Unit
23.00	NVB000179902A	SPACER	間隔圈	D45xd25xL25	1.00	EA
24.00	NV 000049202A	LOCKNUT	鎖緊螺帽	[SHIANG KAIJM25x1.5	1.00	EA
26.00	NVA000691600A	BUMPER	止動環	D75xd34xL25	1.00	EA
27.00	NV 00032530104	TAPER PIN	斜銷	D8x60L	2.00	EA
28.00	NV 001033100A	PLUG, LINEAR GUIDE	防塵蓋	[STAR]1605-300-90(Φ15)	2.00	EA
29.00	MS 0104220	SOCKET HEAD CAP SCREW	六角穴圓頭螺絲	M12xP1.75xL30	4.00	EA
30.00	NV 001033101A	PLUG, TABLE	防塵蓋	[STAR]1605-400-90(Φ20)	4.00	EA
31.00	NVA001066103A	BRACKET, BALLSCREW	導桿托架	L110xW115xH91.3	1.00	EA
32.00	MS 0103820	SOCKET HEAD CAP SCREW	六角穴圓頭螺絲	M8xP1.25xL30	6.00	EA
33.00	MW 0183810	SPRING WASHER	彈簧墊圈	M8	6.00	EA
35.00	MS 0103517	SOCKET HEAD CAP SCREW	六角穴圓頭螺絲	M5xP0.8xL16	4.00	EA
36.01	NV 001011623A	MOTOR COVER,X-AXIS	X軸馬達護蓋	L494.2xW224xH36.1	1.00	EA
37.00	MS 0103517	SOCKET HEAD CAP SCREW	六角穴圓頭螺絲	M5xP0.8xL16	2.00	EA
38.00	MS 0103517	SOCKET HEAD CAP SCREW	六角穴圓頭螺絲	M5xP0.8xL16	2.00	EA
39.01	NVA000195400C	SADDLE	鞍座	L1829xW486xH186.5	1.00	ST

REV	DESCRIPTION	DATE	ECN
A	VMC600-15K-RPM-W/O Counter-balance(SIEMENS) #36KV-000152CA-XNY-0001023A) 2006/5/31	2006/5/31	9
B	#36KV-000152CA-XNY-0001023A) 2007/2/15	2007/2/15	563



MODEL: VMC600	PART NUMBER
PART NAME	NV/A000004612AC
X-AXIS TRANSMISSIONSK-RPM W/O Counter-balance(SIEMENS)	PAGE 1 OF 1
X軸傳動(15K-RPM, 無配重)(SIEMENS)	REV. B
DATE 2006/5/31	SCALE 1:15
PHL	

PRODUCT BOM MASTER AND SUB-ITEMS LIST

Master Item Part NO.: NVA000004612AC

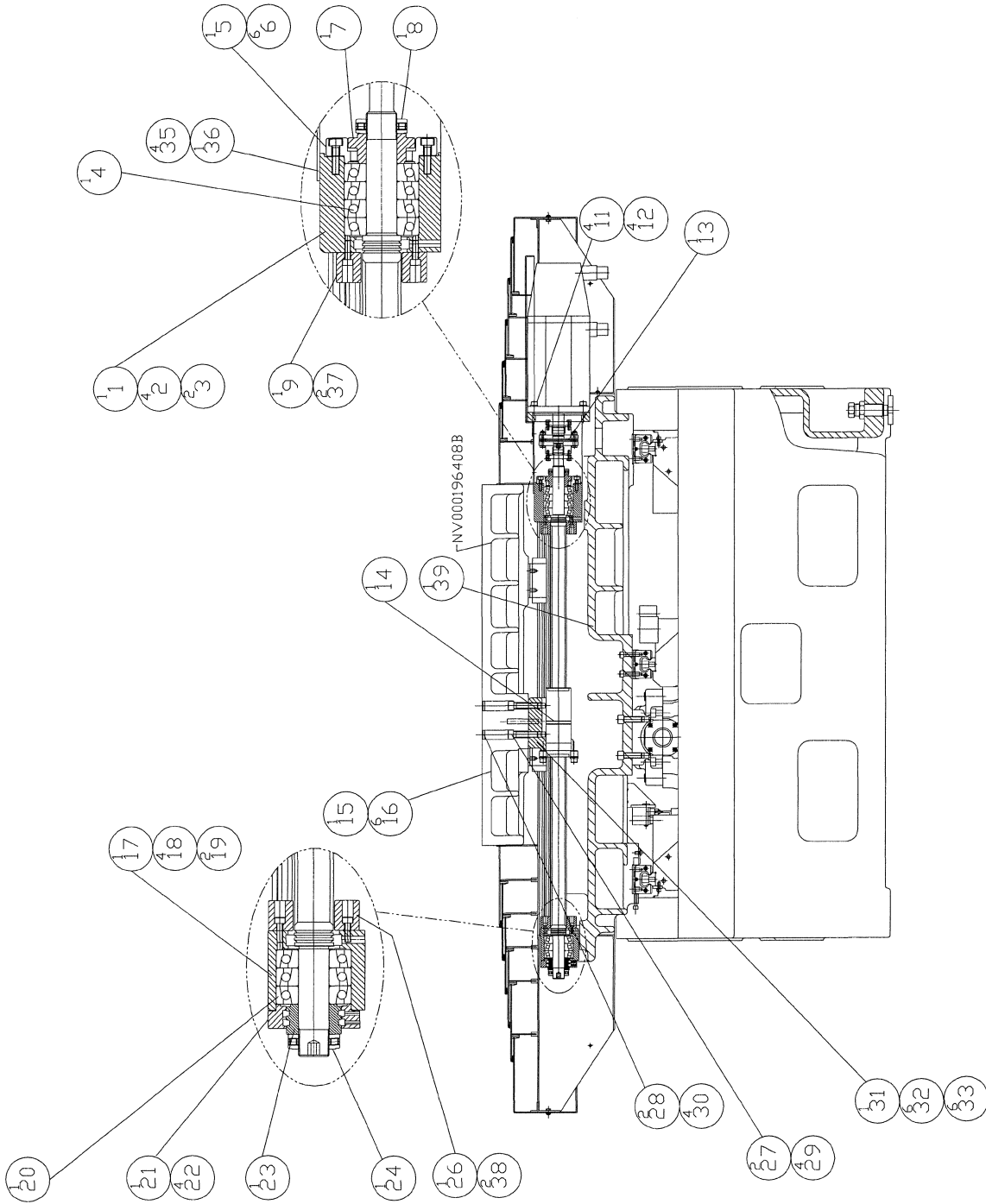
Description: X-AXIS TRANSMISSION(15K-RPM W/
X軸傳動(15K-RPM W/O Counter-balan

Item	Part NO.	Description	中文名稱	Specification	Qty	Unit
1.01	NVA001066137A	SEAT, X,Y AXIS MOTOR(S/HEI)D32	XY軸馬達座(SIEMENSE/HEIDENHAIN)D32	L 228.5xW200xH130	1.00	EA
2.00	MS 0104224	SOCKET HEAD CAP SCREW	六角穴圓頭螺絲	M12xP1.75xL50	4.00	EA
3.00	NV 00032530104	TAPER PIN	斜銷	D8x60L	2.00	EA
4.00	NV 00002660102	BEARING, BALL SCREW SUPPORT	滾珠導桿斜角滾珠軸承	NSK 25TAC62BDFFC10PN7B (4PCS/S	1.00	ST
5.00	NV 001011508A	COVER,BALLSCREW	軸蓋	D92xd51xL21.5	1.00	EA
6.00	MS 0103618	SOCKET HEAD CAP SCREW	六角穴圓頭螺絲	M6xP1.0xL20	6.00	EA
7.00	NV 000179903A	SPACER, SUPPORT BRG	間隔圈	D55xd25xL25	1.00	EA
8.00	NV 000049202A	LOCKNUT	鎖緊螺帽	[SHIANG KAIJM25x1.5	1.00	EA
9.00	NVA000691600A	BUMPER	止動環	D75xd34xL25	1.00	EA
11.00	MS 0103819	SOCKET HEAD CAP SCREW	六角穴圓頭螺絲	M8xP1.25xL25	4.00	EA
12.00	MW 0103810	FLAT WASHER	平墊圈	M8 (d8*D22.2)	4.00	EA
13.00	NV 001179201A	COUPLING	聯軸器	D82xd20xL76.2	1.00	EA
14.00	NV 000190215A	BALL SCREW, X-AXIS	X軸滾珠導螺桿(32m/min)	[PMIJR32-12C1-FDVE-829-1113-C3	1.00	ST
16.00	NV 001050200A	T NUT	T型螺帽	L28xW28xH20	2.00	EA
17.01	NVA001117604A	HOUSING, BEARING(D32)	XYZ軸承座(D32)	L128xW66xH80	1.00	EA
18.00	MS 0104020	SOCKET HEAD CAP SCREW	六角穴圓頭螺絲	M10xP1.5xL30	4.00	EA
19.00	NV 00032530104	TAPER PIN	斜銷	D8x60L	2.00	EA
20.00	NV 00002660103	BEARING, BALL SCREW SUPPORT	滾珠導桿斜角滾珠軸承	NSK 25TAC62BDFFC10PN7B (3PCS/S	1.00	ST
21.00	NVA001011554A	COVER,BALLSCREW(HI-TORQUE)	軸承座蓋(高扭力、標準型共用)	W76xd45.5xL20	1.00	EA
22.00	MS 0103517	SOCKET HEAD CAP SCREW	六角穴圓頭螺絲	M5xP0.8xL16	4.00	EA

PRODUCT BOM MASTER AND SUB-ITEMS LIST

Item	Part NO.	Description	中文名稱	Specification	Qty	Unit
23.00	NVB000179902A	SPACER	間隔圈	D45xd25xL25	1.00	EA
24.00	NV 000049202A	LOCKNUT	鎖緊螺帽	[SHIANG KAI]M25x1.5	1.00	EA
26.00	NVA000691600A	BUMPER	止動環	D75xd34xL25	1.00	EA
27.00	NV 00032530104	TAPER PIN	斜銷	D8x60L	2.00	EA
28.00	NV 001033100A	PLUG, LINEAR GUIDE	防塵蓋	[STAR]1605-300-90(Φ15)	2.00	EA
29.00	MS 0104220	SOCKET HEAD CAP SCREW	六角穴圓頭螺絲	M12xP1.75xL30	4.00	EA
30.00	NV 001033101A	PLUG, TABLE	防塵蓋	[STAR]1605-400-90(Φ20)	4.00	EA
31.00	NVA001066103A	BRACKET, BALLSCREW	導桿托架	L110xW115xH91.3	1.00	EA
32.00	MS 0103820	SOCKET HEAD CAP SCREW	六角穴圓頭螺絲	M8xP1.25xL30	6.00	EA
33.00	MW 0183810	SPRING WASHER	彈簧墊圈	M8	6.00	EA
35.00	MS 0103517	SOCKET HEAD CAP SCREW	六角穴圓頭螺絲	M5xP0.8xL16	4.00	EA
36.01	NV 001011623A	MOTOR COVER,X-AXIS	X軸馬達護蓋	L494.2xW224xH36.1	1.00	EA
37.00	MS 0103517	SOCKET HEAD CAP SCREW	六角穴圓頭螺絲	M5xP0.8xL16	2.00	EA
38.00	MS 0103517	SOCKET HEAD CAP SCREW	六角穴圓頭螺絲	M5xP0.8xL16	2.00	EA

REV	DESCRIPTION	DATE	ECN
A	MODEL: VMC800/500/400/300/200/150/100/50/0 2006/5/31	2006/5/31	9
B	#36(NV_0001529A->NV_0001623A) 2007/2/15	2007/2/15	563



MODEL: VMC800	PART NUMBER
PART NAME	NVA000004612BC
X-AXIS TRANSMISSION15K-RPM W/O Counter-balance(SIEMENS)	PAGE 1 OF 1
X軸傳動15K-RPM,無配重(SIEMENS)	REV. B
DATE 2006/5/31	SCALE 1:1.4
PHIL	

PRODUCT BOM MASTER AND SUB-ITEMS LIST

Master Item Part NO.: NVA000004612BC

Description: X-AXIS TRANSMISSION(15K-RPM W/
X軸傳動(15K-RPM W/O Counter-balan

Item	Part NO.	Description	中文名稱	Specification	Qty	Unit
1.01	NVA001066137A	SEAT, X,Y AXIS MOTOR(S/HEI)D32	XY軸馬達座(SIEMENSE/HEIDENHAIN)D32	L 228.5xW200xH130	1.00	EA
2.00	MS 0104224	SOCKET HEAD CAP SCREW	六角穴圓頭螺絲	M12xP1.75xL50	4.00	EA
3.00	NV 00032530104	TAPER PIN	斜銷	D8x60L	2.00	EA
4.00	NV 00002660102	BEARING, BALL SCREW SUPPORT	滾珠導桿斜角滾珠軸承	NSK 25TAC62BDFFC10PN7B (4PCS/S	1.00	ST
5.00	NV 001011508A	COVER,BALLSCREW	軸蓋	D92xd51xL21.5	1.00	EA
6.00	MS 0103618	SOCKET HEAD CAP SCREW	六角穴圓頭螺絲	M6xP1.0xL20	6.00	EA
7.00	NV 000179903A	SPACER, SUPPORT BRG	間隔圈	D55xd25xL25	1.00	EA
8.00	NV 000049202A	LOCKNUT	鎖緊螺帽	[SHIANG KAIJM25x1.5	1.00	EA
9.00	NVA000691600A	BUMPER	止動環	D75xd34xL25	1.00	EA
11.00	MS 0103819	SOCKET HEAD CAP SCREW	六角穴圓頭螺絲	M8xP1.25xL25	4.00	EA
12.00	MW 0103810	FLAT WASHER	平墊圈	M8 (d8*D22.2)	4.00	EA
13.00	NV 001179201A	COUPLING	聯軸器	D82xd20xL76.2	1.00	EA
14.00	NV 000190204B	X-AXIS BALL SCREW(36m/min)(15K	X軸滾珠導桿(36m/min)(15K-RPM)	[PMI]R32-12B1-FDVE-1029-1313-0	1.00	ST
16.00	NV 001050200A	T NUT	T型螺帽	L28xW28xH20	2.00	EA
17.01	NVA001117604A	HOUSING, BEARING(D32)	XYZ軸承座(D32)	L 128xW66xH80	1.00	EA
18.00	MS 0104020	SOCKET HEAD CAP SCREW	六角穴圓頭螺絲	M10xP1.5xL30	4.00	EA
19.00	NV 00032530104	TAPER PIN	斜銷	D8x60L	2.00	EA
20.00	NV 00002660103	BEARING, BALL SCREW SUPPORT	滾珠導桿斜角滾珠軸承	NSK 25TAC62BDFFC10PN7B (3PCS/S	1.00	ST
21.00	NVA001011554A	COVER,BALLSCREW(HI-TORQUE)	軸承座蓋(高扭力、標準型共用)	W76xd45.5xL20	1.00	EA
22.00	MS 0103517	SOCKET HEAD CAP SCREW	六角穴圓頭螺絲	M5xP0.8xL16	4.00	EA

PRODUCT BOM MASTER AND SUB-ITEMS LIST

Item Part NO.	Description	中文名稱	Specification	Qty	Unit
23.00	NVB000179902A SPACER	間隔圈	D45xd25xL25	1.00	EA
24.00	NV 000049202A LOCKNUT	鎖緊螺帽	[SHIANG KAIJM25x1.5	1.00	EA
26.00	NVA000691600A BUMPER	止動環	D75xd34xL25	1.00	EA
27.00	NV 00032530104 TAPER PIN	斜銷	D8x60L	2.00	EA
28.00	NV 001033100A PLUG, LINEAR GUIDE	防塵蓋	[STAR]1605-300-90(Φ15)	2.00	EA
29.00	MS 0104220 SOCKET HEAD CAP SCREW	六角穴圓頭螺絲	M12xP1.75xL30	4.00	EA
30.00	NV 001033101A PLUG, TABLE	防塵蓋	[STAR]1605-400-90(Φ20)	4.00	EA
31.00	NVA001066103A BRACKET, BALLSCREW	導桿托架	L110xW115xH91.3	1.00	EA
32.00	MS 0103820 SOCKET HEAD CAP SCREW	六角穴圓頭螺絲	M8xP1.25xL30	6.00	EA
33.00	MW 0183810 SPRING WASHER	彈簧墊圈	M8	6.00	EA
35.00	MS 0103517 SOCKET HEAD CAP SCREW	六角穴圓頭螺絲	M5xP0.8xL16	4.00	EA
36.01	NV 001011623A MOTOR COVER,X-AXIS	X軸馬達護蓋	L494.2xW224xH36.1	1.00	EA
37.00	MS 0103517 SOCKET HEAD CAP SCREW	六角穴圓頭螺絲	M5xP0.8xL16	2.00	EA
38.00	MS 0103517 SOCKET HEAD CAP SCREW	六角穴圓頭螺絲	M5xP0.8xL16	2.00	EA

PRODUCT BOM MASTER AND SUB-ITEMS LIST

Master Item Part NO.: NVA000004612CC

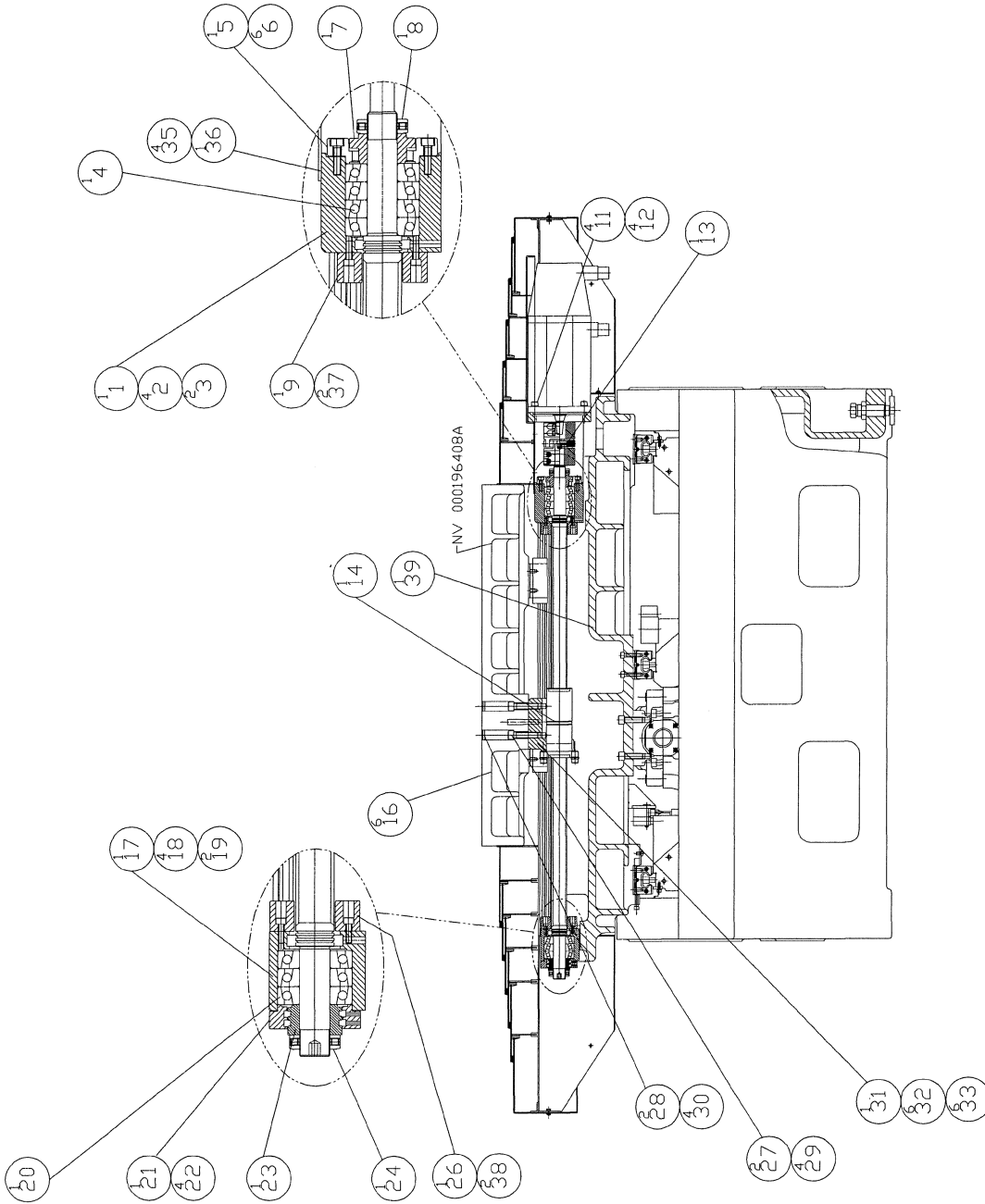
Description:
X-AXIS TRANSMISSION(15K-RPM W/
X軸傳動(15K-RPM W/O Counter-balan

Item Part NO.	Description	中文名稱	Specification	Qty	Unit
1.01	NVA001066137A SEAT, X,Y AXIS MOTOR(S/HEI)D32	XY軸馬達座(SIEMENSE/HEIDENHAIN)D32	L228.5xW200xH130	1.00	EA
2.00	MS 0104224 SOCKET HEAD CAP SCREW	六角穴圓頭螺絲	M12xP1.75xL50	4.00	EA
3.00	NV 00032530104 TAPER PIN	斜銷	D8x60L	2.00	EA
4.00	NV 00002660102 BEARING, BALL SCREW SUPPORT	滾珠導桿斜角滾珠軸承	NSK 25TAC62BDFFC10PN7B (4PCS/S	1.00	ST
5.00	NV 001011508A COVER,BALLSCREW	軸蓋	D92xd51xL21.5	1.00	EA
6.00	MS 0103618 SOCKET HEAD CAP SCREW	六角穴圓頭螺絲	M6xP1.0xL20	6.00	EA
7.00	NV 000179903A SPACER, SUPPORT BRG	間隔圈	D55xd25xL25	1.00	EA
8.00	NV 000049202A LOCKNUT	鎖緊螺帽	[SHIANG KAIJM25x1.5	1.00	EA
9.00	NVA000691600A BUMPER	止動環	D75xd34xL25	1.00	EA
11.00	MS 0103819 SOCKET HEAD CAP SCREW	六角穴圓頭螺絲	M8xP1.25xL25	4.00	EA
12.00	MW 0103810 FLAT WASHER	平墊圈	M8 (d8*D22.2)	4.00	EA
13.00	NV 001179201A COUPLING	聯軸器	D82xd20xL76.2	1.00	EA
14.00	NV 000190204C X-AXIS BALL SCREW(36m/min)(15K	X軸滾珠導桿(36m/min)(15K-RPM)	[PMIJR32-12B1-FDVE-1249-1533-0	1.00	ST
16.00	NV 001050200A T NUT	T型螺帽	L28xW28xH20	2.00	EA
17.01	NVA001117604A HOUSING, BEARING(D32)	XYZ軸承座(D32)	L128xW66xH80	1.00	EA
18.00	MS 0104020 SOCKET HEAD CAP SCREW	六角穴圓頭螺絲	M10xP1.5xL30	4.00	EA
19.00	NV 00032530104 TAPER PIN	斜銷	D8x60L	2.00	EA
20.00	NV 00002660103 BEARING, BALL SCREW SUPPORT	滾珠導桿斜角滾珠軸承	NSK 25TAC62BDFFC10PN7B (3PCS/S	1.00	ST
21.00	NVA001011554A COVER,BALLSCREW(HI-TORQUE)	軸承座蓋(高扭力、標準型共用)	W76xd45.5xL20	1.00	EA
22.00	MS 0103517 SOCKET HEAD CAP SCREW	六角穴圓頭螺絲	M5xP0.8xL16	4.00	EA

PRODUCT BOM MASTER AND SUB-ITEMS LIST

Item Part NO.	Description	中文名稱	Specification	Qty	Unit
23.00	NVB000179902A SPACER	間隔圈	D45xd25xL25	1.00	EA
24.00	NV 000049202A LOCKNUT	鎖緊螺帽	[SHIANG KAIJM25x1.5	1.00	EA
26.00	NVA000691600A BUMPER	止動環	D75xd34xL25	1.00	EA
27.00	NV 00032530104 TAPER PIN	斜銷	D8x60L	2.00	EA
28.00	NV 001033100A PLUG, LINEAR GUIDE	防塵蓋	[STAR]1605-300-90(Φ15)	2.00	EA
29.00	MS 0104220 SOCKET HEAD CAP SCREW	六角穴圓頭螺絲	M12xP1.75xL30	4.00	EA
30.00	NV 001033101A PLUG, TABLE	防塵蓋	[STAR]1605-400-90(Φ20)	4.00	EA
31.00	NVA001066103A BRACKET, BALLSCREW	導桿托架	L110xW115xH91.3	1.00	EA
32.00	MS 0103820 SOCKET HEAD CAP SCREW	六角穴圓頭螺絲	M8xP1.25xL30	6.00	EA
33.00	MW 0183810 SPRING WASHER	彈簧墊圈	M8	6.00	EA
35.00	MS 0103517 SOCKET HEAD CAP SCREW	六角穴圓頭螺絲	M5xP0.8xL16	4.00	EA
36.01	NV 001011623A MOTOR COVER,X-AXIS	X軸馬達護蓋	L494.2xW224xH36.1	1.00	EA
37.00	MS 0103517 SOCKET HEAD CAP SCREW	六角穴圓頭螺絲	M5xP0.8xL16	2.00	EA
38.00	MS 0103517 SOCKET HEAD CAP SCREW	六角穴圓頭螺絲	M5xP0.8xL16	2.00	EA
39.01	NVA000195400C SADDLE	鞍座	L1829xW486xH186.5	1.00	ST

REV.	DESCRIPTION	DATE	ECN.
A	機軸の修理用部品-WOODRIFOLD	2006/5/24	9
B	#36(NV, 0001529A->NV, 0001623A)	2007/5/15	563



MODEL: VMC600

PART NUMBER

NVA000004620A

PART NAME

X-AXIS TRANSMISSION(KHEIDENHAIN)

PAGE 1 OF 1

REV. B

SCALE 1:1.5

DATE 2006/5/31

FORM PHL

PRODUCT BOM MASTER AND SUB-ITEMS LIST

Master Item Part NO.: NVA000004620A

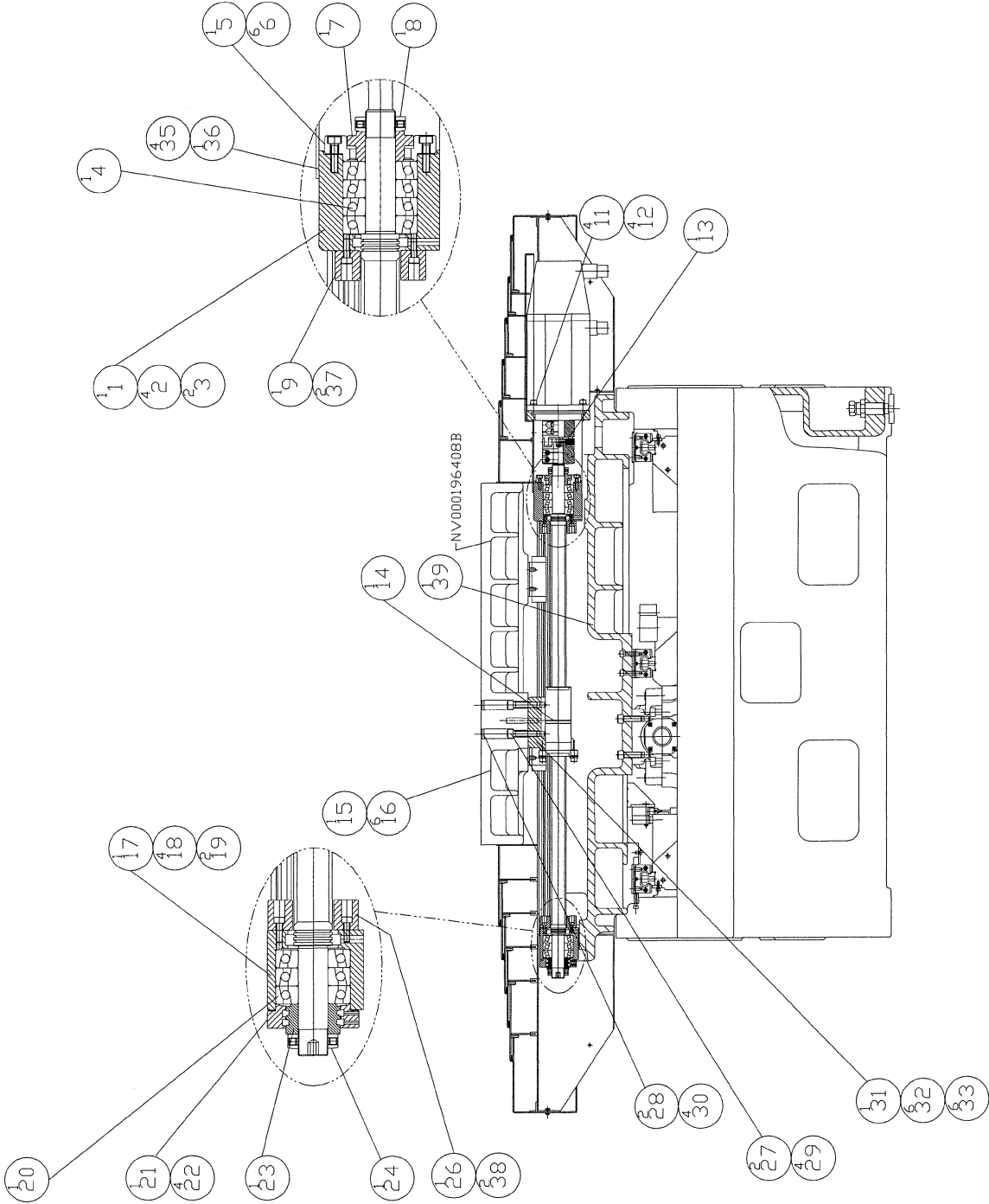
Description: X-AXIS TRANSMISSION(HEIDENHAIN)
X軸傳動(HEIDENHAIN)

Item	Part NO.	Description	中文名稱	Specification	Qty	Unit
1.02	NVA001066137A	SEAT, X,Y AXIS MOTOR(S/HEI)D32	XY軸馬達座(SIEMENSE/HEIDENHAIN)D32	L228.5xW200xH130	1.00	EA
2.00	MS 0104224	SOCKET HEAD CAP SCREW	六角穴圓頭螺絲	M12xP1.75xL50	4.00	EA
3.00	NV 00032530104	TAPER PIN	斜銷	D8x60L	2.00	EA
4.00	NV 00002660102	BEARING, BALL SCREW SUPPORT	滾珠導桿斜角滾珠軸承	NSK 25TAC62BDFFC10PN7B (4PCS/S)	1.00	ST
5.00	NV 001011508A	COVER,BALLSCREW	軸蓋	D92xd51xL21.5	1.00	EA
6.00	MS 0103618	SOCKET HEAD CAP SCREW	六角穴圓頭螺絲	M6xP1.0xL20	6.00	EA
7.00	NV 000179903A	SPACER, SUPPORT BRG	間隔圈	D55xd25xL25	1.00	EA
8.00	NV 000049202A	LOCKNUT	鎖緊螺帽	[SHIANG KAIJM25x1.5	1.00	EA
9.00	NVA000691600A	BUMPER	止動環	D75xd34xL25	1.00	EA
11.00	MS 0103819	SOCKET HEAD CAP SCREW	六角穴圓頭螺絲	M8xP1.25xL25	4.00	EA
12.00	MW 0103810	FLAT WASHER	平墊圈	M8 (d8*D22.2)	4.00	EA
13.00	NV 001179219A	COUPLING(X,Y-AXIS,HEIDENHAIN)	聯軸器(X,Y-AXIS,HEIDENHAIN)	[[KTR]GS28/38-98SHA SPIDER(BOR	1.00	EA
14.00	NV 000190200AG	BALL SCREW, X-AXIS	X軸滾珠導螺桿(磨)	[PMI]R32-10D1-FDVE-829-1113-0.	1.00	ST
16.00	NV 001050200A	T NUT	T型螺帽	L28xW28xH20	2.00	EA
17.01	NVA001117604A	HOUSING, BEARING(D32)	XYZ軸承座(D32)	L128xW66xH80	1.00	EA
18.00	MS 0104020	SOCKET HEAD CAP SCREW	六角穴圓頭螺絲	M10xP1.5xL30	4.00	EA
19.00	NV 00032530104	TAPER PIN	斜銷	D8x60L	2.00	EA
20.00	NV 00002660103	BEARING, BALL SCREW SUPPORT	滾珠導桿斜角滾珠軸承	NSK 25TAC62BDFFC10PN7B (3PCS/S)	1.00	ST
21.00	NVA001011554A	COVER,BALLSCREW(HI-TORQUE)	軸承座蓋(高扭力、標準型共用)	W76xd45.5xL20	1.00	EA
22.00	MS 0103517	SOCKET HEAD CAP SCREW	六角穴圓頭螺絲	M5xP0.8xL16	4.00	EA

PRODUCT BOM MASTER AND SUB-ITEMS LIST

Item Part NO.	Description	中文名稱	Specification	Qty	Unit
23.00	NVB000179902A	SPACER	間隔圈	D45xd25xL25	1.00 EA
24.00	NV 000049202A	LOCKNUT	鎖緊螺帽	[SHIANG KAI]M25x1.5	1.00 EA
26.00	NVA000691600A	BUMPER	止動環	D75xd34xL25	1.00 EA
27.00	NV 00032530104	TAPER PIN	斜銷	D8x60L	2.00 EA
28.00	NV 001033100A	PLUG, LINEAR GUIDE	防塵蓋	[STAR]1605-300-90(Φ15)	2.00 EA
29.00	MS 0104220	SOCKET HEAD CAP SCREW	六角穴圓頭螺絲	M12xP1.75xL30	4.00 EA
30.00	NV 001033101A	PLUG, TABLE	防塵蓋	[STAR]1605-400-90(Φ20)	4.00 EA
31.00	NVA001066103A	BRACKET, BALLSCREW	導桿托架	L110xW115xH91.3	1.00 EA
32.00	MS 0103820	SOCKET HEAD CAP SCREW	六角穴圓頭螺絲	M8xP1.25xL30	6.00 EA
33.00	MW 0183810	SPRING WASHER	彈簧墊圈	M8	6.00 EA
35.00	MS 0103517	SOCKET HEAD CAP SCREW	六角穴圓頭螺絲	M5xP0.8xL16	4.00 EA
36.01	NV 001011623A	MOTOR COVER,X-AXIS	X軸馬達護蓋	L494.2xW224xH36.1	1.00 EA
37.00	MS 0103517	SOCKET HEAD CAP SCREW	六角穴圓頭螺絲	M5xP0.8xL16	2.00 EA
38.00	MS 0103517	SOCKET HEAD CAP SCREW	六角穴圓頭螺絲	M5xP0.8xL16	2.00 EA

REV	DESCRIPTION	DATE	ECN
A	MODEL: 341E19W0015000-NV00015000 2006/5/31	2006/5/31	9
B	#36(NV_0001522A-NV_0001623A) 2007/5/15	2007/5/15	563



MODEL: VMC800	PART NUMBER
X-AXIS TRANSMISSION(KHEIDENHAIN)	NV/A000004620B
X 串轴傳動機(HEIDENHAIN)	PAGE 1 OF 1
DATE 2006/5/31	REV. B
SCALE 1:1.4	

PRODUCT BOM MASTER AND SUB-ITEMS LIST

Master Item Part NO.: NVA000004620B

Description: X-AXIS TRANSMISSION(HEIDENHAIN)
X軸傳動(HEIDENHAIN)

Item	Part NO.	Description	中文名稱	Specification	Qty	Unit
1.02	NVA001066137A	SEAT, X,Y AXIS MOTOR(S/HEI)D32	XY軸馬達座(SIEMENSE/HEIDENHAIN)D32	L228.5xW200xH130	1.00	EA
2.00	MS 0104224	SOCKET HEAD CAP SCREW	六角穴圓頭螺絲	M12xP1.75xL50	4.00	EA
3.00	NV 00032530104	TAPER PIN	斜銷	D8x60L	2.00	EA
4.00	NV 00002660102	BEARING, BALL SCREW SUPPORT	滾珠導桿斜角滾珠軸承	NSK 25TAC62BDFFC10PN7B (4PCS/S)	1.00	ST
5.00	NV 001011508A	COVER,BALLSCREW	軸蓋	D92xd51xL21.5	1.00	EA
6.00	MS 0103618	SOCKET HEAD CAP SCREW	六角穴圓頭螺絲	M6xP1.0xL20	6.00	EA
7.00	NV 000179903A	SPACER, SUPPORT BRG	間隔圈	D55xd25xL25	1.00	EA
8.00	NV 000049202A	LOCKNUT	鎖緊螺帽	[SHIANG KAIJM25x1.5	1.00	EA
9.00	NVA000691600A	BUMPER	止動環	D75xd34xL25	1.00	EA
11.00	MS 0103819	SOCKET HEAD CAP SCREW	六角穴圓頭螺絲	M8xP1.25xL25	4.00	EA
12.00	MW 0103810	FLAT WASHER	平墊圈	M8 (d8*D22.2)	4.00	EA
13.00	NV 001179219A	COUPLING(X,Y-AXIS,HEIDENHAIN)	聯軸器(X,Y-AXIS,HEIDENHAIN)	[[KTR]GS28/38-98SHA SPIDER(BOR	1.00	EA
14.00	NV 000190200BG	BALL SCREW, X-AXIS	X軸滾珠導螺桿(磨)	[PMI]R32-10D1-FDVE-1029-1313-0	1.00	ST
16.00	NV 001050200A	T NUT	T型螺帽	L28xW28xH20	2.00	EA
17.01	NVA001117604A	HOUSING, BEARING(D32)	XYZ軸承座(D32)	L128xW66xH80	1.00	EA
18.00	MS 0104020	SOCKET HEAD CAP SCREW	六角穴圓頭螺絲	M10xP1.5xL30	4.00	EA
19.00	NV 00032530104	TAPER PIN	斜銷	D8x60L	2.00	EA
20.00	NV 00002660103	BEARING, BALL SCREW SUPPORT	滾珠導桿斜角滾珠軸承	NSK 25TAC62BDFFC10PN7B (3PCS/S)	1.00	ST
21.00	NVA001011554A	COVER,BALLSCREW(HI-TORQUE)	軸承座蓋(高扭力、標準型共用)	W76xd45.5xL20	1.00	EA
22.00	MS 0103517	SOCKET HEAD CAP SCREW	六角穴圓頭螺絲	M5xP0.8xL16	4.00	EA

PRODUCT BOM MASTER AND SUB-ITEMS LIST

Item	Part NO.	Description	中文名稱	Specification	Qty	Unit
23.00	NVB000179902A	SPACER	間隔圈	D45xd25xL25	1.00	EA
24.00	NV 000049202A	LOCKNUT	鎖緊螺帽	[SHIANG KAI]M25x1.5	1.00	EA
26.00	NVA000691600A	BUMPER	止動環	D75xd34xL25	1.00	EA
27.00	NV 00032530104	TAPER PIN	斜銷	D8x60L	2.00	EA
28.00	NV 001033100A	PLUG, LINEAR GUIDE	防塵蓋	[STAR]1605-300-90(Φ15)	2.00	EA
29.00	MS 0104220	SOCKET HEAD CAP SCREW	六角穴圓頭螺絲	M12xP1.75xL30	4.00	EA
30.00	NV 001033101A	PLUG, TABLE	防塵蓋	[STAR]1605-400-90(Φ20)	4.00	EA
31.00	NVA001066103A	BRACKET, BALLSCREW	導桿托架	L110xW115xH91.3	1.00	EA
32.00	MS 0103820	SOCKET HEAD CAP SCREW	六角穴圓頭螺絲	M8xP1.25xL30	6.00	EA
33.00	MW 0183810	SPRING WASHER	彈簧墊圈	M8	6.00	EA
35.00	MS 0103517	SOCKET HEAD CAP SCREW	六角穴圓頭螺絲	M5xP0.8xL16	4.00	EA
36.01	NV 001011623A	MOTOR COVER,X-AXIS	X軸馬達護蓋	L494.2xW224xH36.1	1.00	EA
37.00	MS 0103517	SOCKET HEAD CAP SCREW	六角穴圓頭螺絲	M5xP0.8xL16	2.00	EA
38.00	MS 0103517	SOCKET HEAD CAP SCREW	六角穴圓頭螺絲	M5xP0.8xL16	2.00	EA

PRODUCT BOM MASTER AND SUB-ITEMS LIST

Master Item Part NO.: NVA000004620C

Description: X-AXIS TRANSMISSION(HEIDENHAIN)
X軸傳動(HEIDENHAIN)

Item	Part NO.	Description	中文名稱	Specification	Qty	Unit
1.02	NVA001066137A	SEAT, X,Y AXIS MOTOR(S/HEI)D32	XY軸馬達座(SIEMENSE/HEIDENHAIN)D32	L 228.5xW200xH130	1.00	EA
2.00	MS 0104224	SOCKET HEAD CAP SCREW	六角穴圓頭螺絲	M12xP1.75xL50	4.00	EA
3.00	NV 00032530104	TAPER PIN	斜銷	D8x60L	2.00	EA
4.00	NV 00002660102	BEARING, BALL SCREW SUPPORT	滾珠導桿斜角滾珠軸承	NSK 25TAC62BDFFC10PN7B (4PCS/S)	1.00	ST
5.00	NV 001011508A	COVER,BALLSCREW	軸蓋	D92xø51xL21.5	1.00	EA
6.00	MS 0103618	SOCKET HEAD CAP SCREW	六角穴圓頭螺絲	M6xP1.0xL20	6.00	EA
7.00	NV 000179903A	SPACER, SUPPORT BRG	間隔圈	D55xø25xL25	1.00	EA
8.00	NV 000049202A	LOCKNUT	鎖緊螺帽	[SHIANG KAI]M25x1.5	1.00	EA
9.00	NVA000691600A	BUMPER	止動環	D75xø34xL25	1.00	EA
11.00	MS 0103819	SOCKET HEAD CAP SCREW	六角穴圓頭螺絲	M8xP1.25xL25	4.00	EA
12.00	MW 0103810	FLAT WASHER	平墊圈	M8 (ø8*D22.2)	4.00	EA
13.00	NV 001179219A	COUPLING(X,Y-AXIS,HEIDENHAIN)	聯軸器(X,Y-AXIS,HEIDENHAIN)	[[KTR]GS28/38-98SHA SPIDER(BOR	1.00	EA
14.00	NV 000190200CG	BALL SCREW, X-AXIS	X軸滾珠導桿(磨)	[PMI]R32-10D1-FDVE-1249-1533-0	1.00	ST
16.00	NV 001050200A	T NUT	T型螺帽	L28xW28xH20	2.00	EA
17.01	NVA001117604A	HOUSING, BEARING(D32)	XYZ軸承座(D32)	L128xW66xH80	1.00	EA
18.00	MS 0104020	SOCKET HEAD CAP SCREW	六角穴圓頭螺絲	M10xP1.5xL30	4.00	EA
19.00	NV 00032530104	TAPER PIN	斜銷	D8x60L	2.00	EA
20.00	NV 00002660103	BEARING, BALL SCREW SUPPORT	滾珠導桿斜角滾珠軸承	NSK 25TAC62BDFFC10PN7B (3PCS/S)	1.00	ST
21.00	NVA001011554A	COVER,BALLSCREW(HI-TORQUE)	軸承座蓋(高扭力、標準型共用)	W76xø45.5xL20	1.00	EA
22.00	MS 0103517	SOCKET HEAD CAP SCREW	六角穴圓頭螺絲	M5xP0.8xL16	4.00	EA

PRODUCT BOM MASTER AND SUB-ITEMS LIST

Item	Part NO.	Description	中文名稱	Specification	Qty	Unit
23.00	NVB000179902A	SPACER	間隔圈	D45xd25xL25	1.00	EA
24.00	NV 000049202A	LOCKNUT	鎖緊螺帽	[SHIANG KAI]M25x1.5	1.00	EA
26.00	NVA000691600A	BUMPER	止動環	D75xd34xL25	1.00	EA
27.00	NV 00032530104	TAPER PIN	斜銷	D8x60L	2.00	EA
28.00	NV 001033100A	PLUG, LINEAR GUIDE	防塵蓋	[STAR]1605-300-90(Φ15)	2.00	EA
29.00	MS 0104220	SOCKET HEAD CAP SCREW	六角穴圓頭螺絲	M12xP1.75xL30	4.00	EA
30.00	NV 001033101A	PLUG, TABLE	防塵蓋	[STAR]1605-400-90(Φ20)	4.00	EA
31.00	NVA001066103A	BRACKET, BALLSCREW	導桿托架	L110xW115xH91.3	1.00	EA
32.00	MS 0103820	SOCKET HEAD CAP SCREW	六角穴圓頭螺絲	M8xP1.25xL30	6.00	EA
33.00	MW 0183810	SPRING WASHER	彈簧墊圈	M8	6.00	EA
35.00	MS 0103517	SOCKET HEAD CAP SCREW	六角穴圓頭螺絲	M5xP0.8xL16	4.00	EA
36.01	NV 001011623A	MOTOR COVER,X-AXIS	X軸馬達護蓋	L494.2xW224xH36.1	1.00	EA
37.00	MS 0103517	SOCKET HEAD CAP SCREW	六角穴圓頭螺絲	M5xP0.8xL16	2.00	EA
38.00	MS 0103517	SOCKET HEAD CAP SCREW	六角穴圓頭螺絲	M5xP0.8xL16	2.00	EA
39.01	NVA000195400C	SADDLE	鞍座	L1829xW486xH186.5	1.00	ST

PRODUCT BOM MASTER AND SUB-ITEMS LIST

Date : 2007/8/20

Master Item Part NO.: NV 000004604A

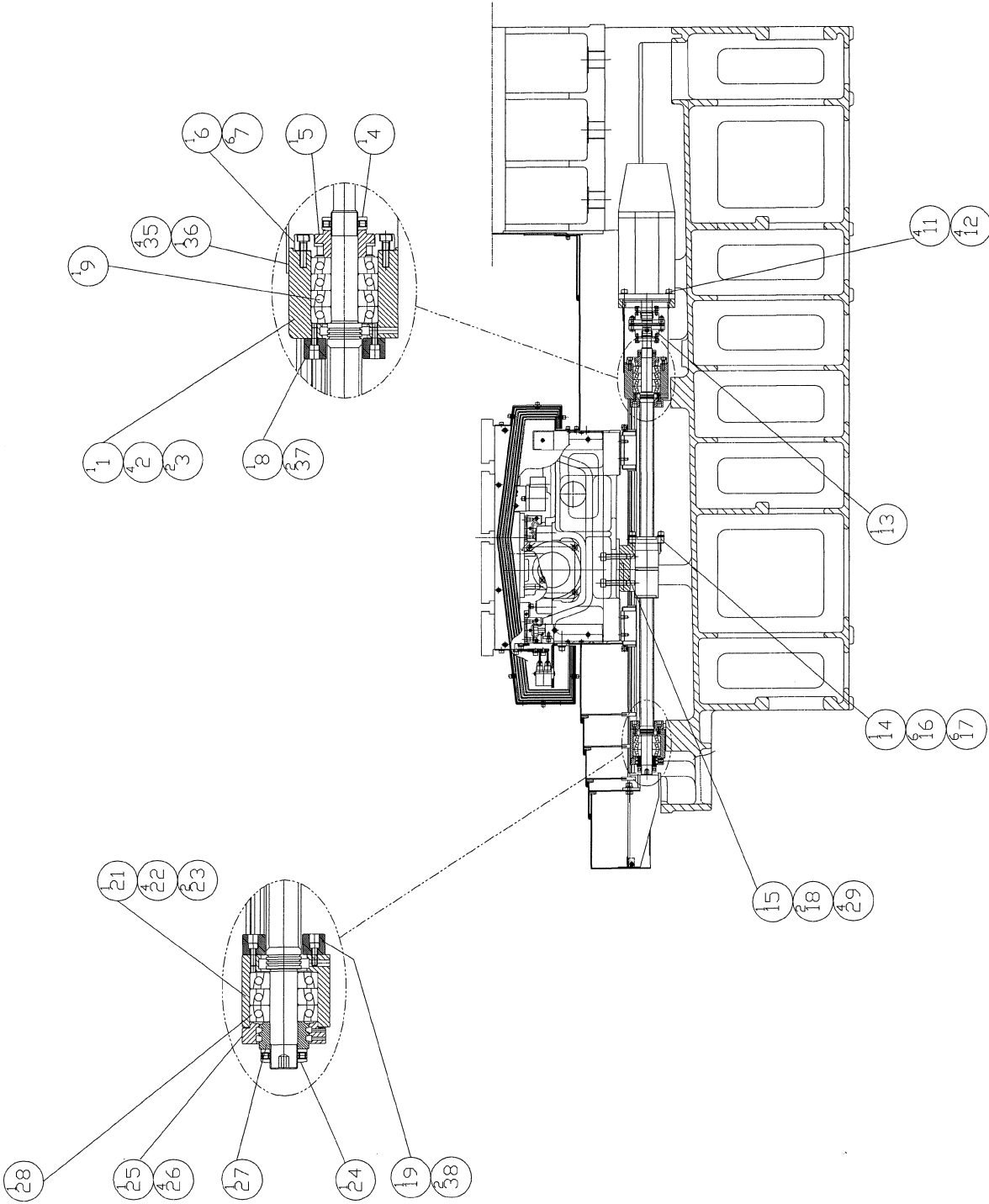
 Description: Y-AXIS TRANSMISSION
 Y軸傳動

Item	Part NO.	Description	中文名稱	Specification	Qty	Unit
1.01	NVA001066127A	SEAT, X,Y AXIS MOTOR(FANUC)D32	X,Y軸馬達座(FANUC)D32	L228.5xW200xH130	1.00	EA
2.00	MS 0104224	SOCKET HEAD CAP SCREW	六角穴圓頭螺絲	M12xP1.75xL50	4.00	EA
3.00	NV 00032530104	TAPER PIN	斜銷	D8x60L	2.00	EA
4.00	NV 000049202A	LOCKNUT	鎖緊螺帽	[SHIANG KAJJM25x1.5	1.00	EA
5.00	NV 000179903A	SPACER, SUPPORT BRG	間隔圈	D55xd25xL25	1.00	EA
6.00	NV 001011508A	COVER,BALLSCREW	軸蓋	D92xd51xL21.5	1.00	EA
7.00	MS 0103618	SOCKET HEAD CAP SCREW	六角穴圓頭螺絲	M6xP1.0xL20	6.00	EA
8.01	NV 000691604A	BUMPER	止動環	D75xd34xH19	1.00	EA
9.00	NV 00002660102	BEARING, BALL SCREW SUPPORT	滾珠導桿斜角滾珠軸承	NSK 25TAC62BDFFC10PN7B (4PCS/S	1.00	ST
11.00	MS 0103819	SOCKET HEAD CAP SCREW	六角穴圓頭螺絲	M8xP1.25xL25	4.00	EA
12.00	MW 0103810	FLAT WASHER	平墊圈	M8 (d8*D22.2)	4.00	EA
13.00	NV 001179200A	COUPLING	聯軸器	D81xd16xL81	1.00	EA
14.00	NV 000190201AG	BALL SCREW, Y,Z-AXIS	YZ 軸滾珠導螺桿(磨)	[PMIJR32-10D1-FDVE-739-1023-0.	1.00	ST
15.00	NVA001066103A	BRACKET, BALLSCREW	導桿托架	L110xW115xH91.3	1.00	EA
16.00	MS 0103820	SOCKET HEAD CAP SCREW	六角穴圓頭螺絲	M8xP1.25xL30	6.00	EA
17.00	MW 0103810	FLAT WASHER	平墊圈	M8 (d8*D22.2)	6.00	EA
18.00	NV 00032530104	TAPER PIN	斜銷	D8x60L	2.00	EA
19.01	NV 000691604A	BUMPER	止動環	D75xd34xH19	1.00	EA
21.01	NVA001117604A	HOUSING, BEARING(D32)	XYZ軸承座(D32)	L128xW66xH80	1.00	EA
22.00	MS 0104020	SOCKET HEAD CAP SCREW	六角穴圓頭螺絲	M10xP1.5xL30	4.00	EA

PRODUCT BOM MASTER AND SUB-ITEMS LIST

Item	Part NO.	Description	中文名稱	Specification	Qty	Unit
23.00	NV 00032530104	TAPER PIN	斜銷	D8x60L	2.00	EA
24.00	NV 000049202A	LOCKNUT	鎖緊螺帽	[SHIANG KAI]M25x1.5	1.00	EA
25.00	NVA001011554A	COVER,BALLSCREW(HI-TORQUE)	軸承座蓋(高扭力、標準型共用)	W76xd45.5xL20	1.00	EA
26.00	MS 0103517	SOCKET HEAD CAP SCREW	六角穴圓頭螺絲	M5xP0.8xL16	4.00	EA
27.00	NVB000179902A	SPACER	間隔圈	D45xd25xL25	1.00	EA
28.00	NV 00002660103	BEARING, BALL SCREW SUPPORT	滾珠導桿斜角滾珠軸承	NSK 25TAC62BDFFC10PN7B (3PCS/S	1.00	ST
29.00	MS 0104224	SOCKET HEAD CAP SCREW	六角穴圓頭螺絲	M12xP1.75xL50	4.00	EA
35.00	MS 0103517	SOCKET HEAD CAP SCREW	六角穴圓頭螺絲	M5xP0.8xL16	4.00	EA
36.00	NV 001011529A	COVER, XYZ-AXIS MOTOR SEAT	XYZ軸馬達座蓋	L128XW148.5XH2.3	1.00	EA
37.00	MS 0103517	SOCKET HEAD CAP SCREW	六角穴圓頭螺絲	M5xP0.8xL16	2.00	EA
38.00	MS 0103517	SOCKET HEAD CAP SCREW	六角穴圓頭螺絲	M5xP0.8xL16	2.00	EA

REV	DESCRIPTION	DATE	ECN
B	1.7.2000/11/3	2000/11/3	TRV0600
C	1.7.2000/11/3	2000/11/3	9



MODEL: VMC600/800/1000	PART NUMBER
PART NAME	NV 000004604AC
Y-AXIS TRANSMISSION(SIEMENS)	PAGE 1 OF 1
Y 軸傳動(SIEMENS)	REV. C
DATE: 2000/11/3	SCALE: 1:1.5
DESIGNER: MICHAEL PHIL	

PRODUCT BOM MASTER AND SUB-ITEMS LIST

Master Item Part NO.: NV 000004604AC

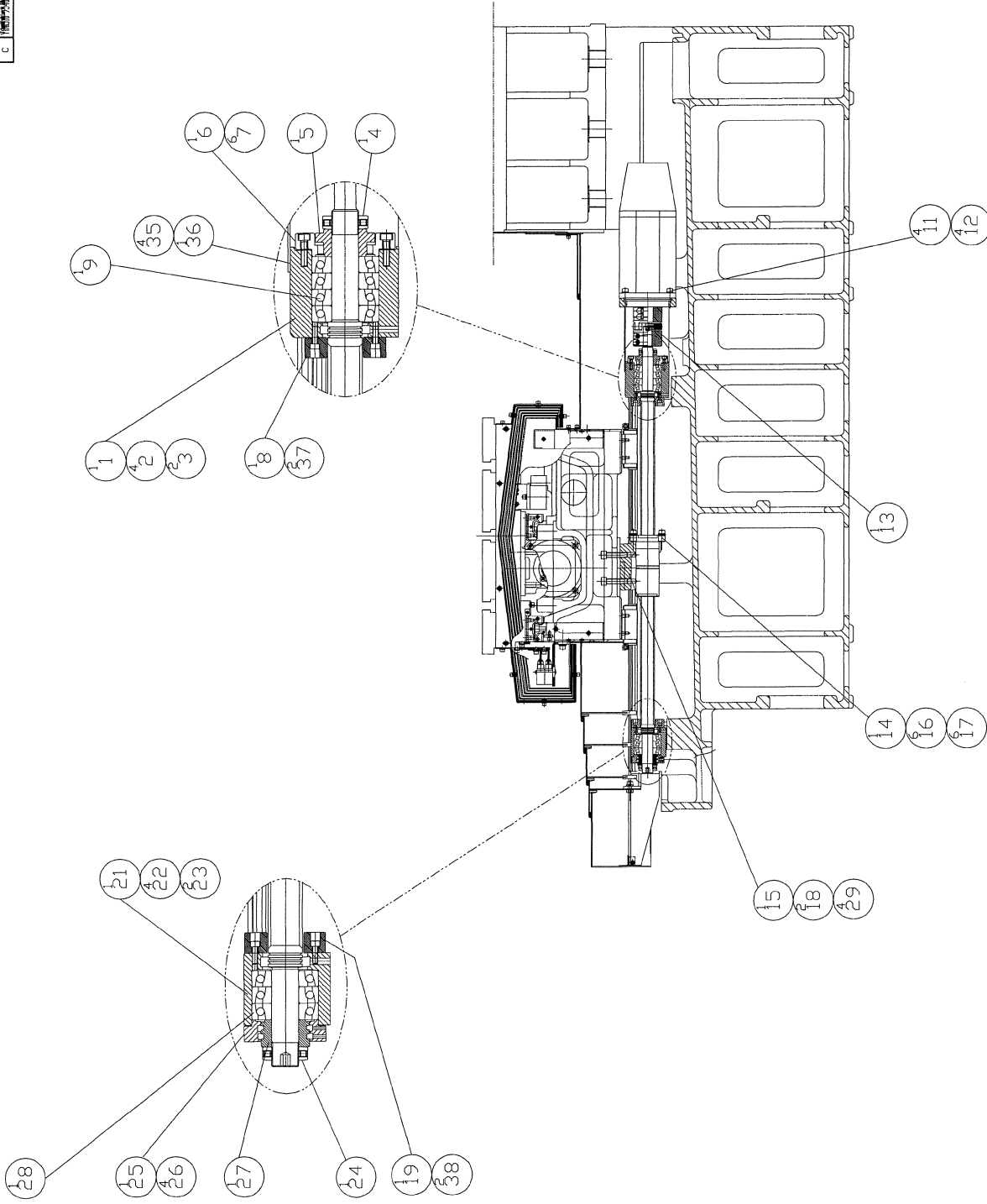
Description: Y-AXIS TRANSMISSION(SIEMENS)
Y軸傳動(SIEMENS)

Item	Part NO.	Description	中文名稱	Specification	Qty	Unit
1.01	NVA001066137A	SEAT, X,Y AXIS MOTOR(S/HEI)D32	XY軸馬達座(SIEMENSE/HEIDENHAIN)D32	L 228.5xW200xH130	1.00	EA
2.00	MS 0104224	SOCKET HEAD CAP SCREW	六角穴圓頭螺絲	M12xP1.75xL50	4.00	EA
3.00	NV 00032530104	TAPER PIN	斜銷	D8x60L	2.00	EA
4.00	NV 000049202A	LOCKNUT	鎖緊螺帽	[SHIANG KAIJM25x1.5	1.00	EA
5.00	NV 000179903A	SPACER, SUPPORT BRG	間隔圈	D55xd25xL25	1.00	EA
6.00	NV 001011508A	COVER,BALLSCREW	軸蓋	D92xd51xL21.5	1.00	EA
7.00	MS 0103618	SOCKET HEAD CAP SCREW	六角穴圓頭螺絲	M6xP1.0xL20	6.00	EA
8.01	NV 000691604A	BUMPER	止動環	D75xd34xH19	1.00	EA
9.00	NV 00002660102	BEARING, BALL SCREW SUPPORT	滾珠導桿斜角滾珠軸承	NSK 25TAC62BDDFFC10PN7B (4PCS/S	1.00	ST
11.00	MS 0103819	SOCKET HEAD CAP SCREW	六角穴圓頭螺絲	M8xP1.25xL25	4.00	EA
12.00	MW 0103810	FLAT WASHER	平墊圈	M8 (d8*D22.2)	4.00	EA
13.00	NV 001179201A	COUPLING	聯軸器	D82xd20xL76.2	1.00	EA
14.00	NV 000190201AG	BALL SCREW, Y,Z-AXIS	YZ 軸滾珠導螺桿(磨)	[PMI]R32-10D1-FDVE-739-1023-0.	1.00	ST
15.00	NVA001066103A	BRACKET, BALLSCREW	導桿托架	L110xW115xH91.3	1.00	EA
16.00	MS 0103820	SOCKET HEAD CAP SCREW	六角穴圓頭螺絲	M8xP1.25xL30	6.00	EA
17.00	MW 0103810	FLAT WASHER	平墊圈	M8 (d8*D22.2)	6.00	EA
18.00	NV 00032530104	TAPER PIN	斜銷	D8x60L	2.00	EA
19.01	NV 000691604A	BUMPER	止動環	D75xd34xH19	1.00	EA
21.01	NVA001117604A	HOUSING, BEARING(D32)	XYZ軸承座(D32)	L128xW66xH80	1.00	EA
22.00	MS 0104020	SOCKET HEAD CAP SCREW	六角穴圓頭螺絲	M10xP1.5xL30	4.00	EA

PRODUCT BOM MASTER AND SUB-ITEMS LIST

Item Part NO.	Description	中文名稱	Specification	Qty	Unit
23.00 NV 00032530104	TAPER PIN	斜銷	D8x60L	2.00	EA
24.00 NV 000049202A	LOCKNUT	鎖緊螺帽	[SHIANG KAIJM25x1.5	1.00	EA
25.00 NVA001011554A	COVER,BALLSCREW(HI-TORQUE)	軸承座蓋(高扭力、標準型共用)	W76xd45.5xL20	1.00	EA
26.00 MS 0103517	SOCKET HEAD CAP SCREW	六角穴圓頭螺絲	M5xP0.8xL16	4.00	EA
27.00 NVB000179902A	SPACER	間隔圈	D45xd25xL25	1.00	EA
28.00 NV 00002660103	BEARING, BALL SCREW SUPPORT	滾珠導桿斜角滾珠軸承	NSK 25TAC62BDFFC10PN7B (3PCS/S	1.00	ST
29.00 MS 0104224	SOCKET HEAD CAP SCREW	六角穴圓頭螺絲	M12xP1.75xL50	4.00	EA
35.00 MS 0103517	SOCKET HEAD CAP SCREW	六角穴圓頭螺絲	M5xP0.8xL16	4.00	EA
36.00 NV 001011529A	COVER, XYZ-AXIS MOTOR SEAT	XYZ軸馬達座蓋	L128XW148.5XH2.3	1.00	EA
37.00 MS 0103517	SOCKET HEAD CAP SCREW	六角穴圓頭螺絲	M5xP0.8xL16	2.00	EA
38.00 MS 0103517	SOCKET HEAD CAP SCREW	六角穴圓頭螺絲	M5xP0.8xL16	2.00	EA

REV.	DESCRIPTION	DATE	ECN.
A	NEUFASSUNG	2005/2/1	INV0627
B	ÄNDERUNG DER BESCHREIBUNG	2005/08/01	INV0600
C	ÄNDERUNG DER BESCHREIBUNG	2006/07/15	9



MIDDEL: VMC600/800/1000	
PART NAME	PART NUMBER
Y-AXIS TRANSMISSION(KHEIDENHAIN)	NV 000004621A
Y 串中傳動(HEIDENHAIN)	PAGE 1 OF 1
DATE 2005/3/3	REV. C
SCALE 1:15	
SHEPHERD MICHAEL PHIL	

PRODUCT BOM MASTER AND SUB-ITEMS LIST

Master Item Part NO.: NV 000004621A

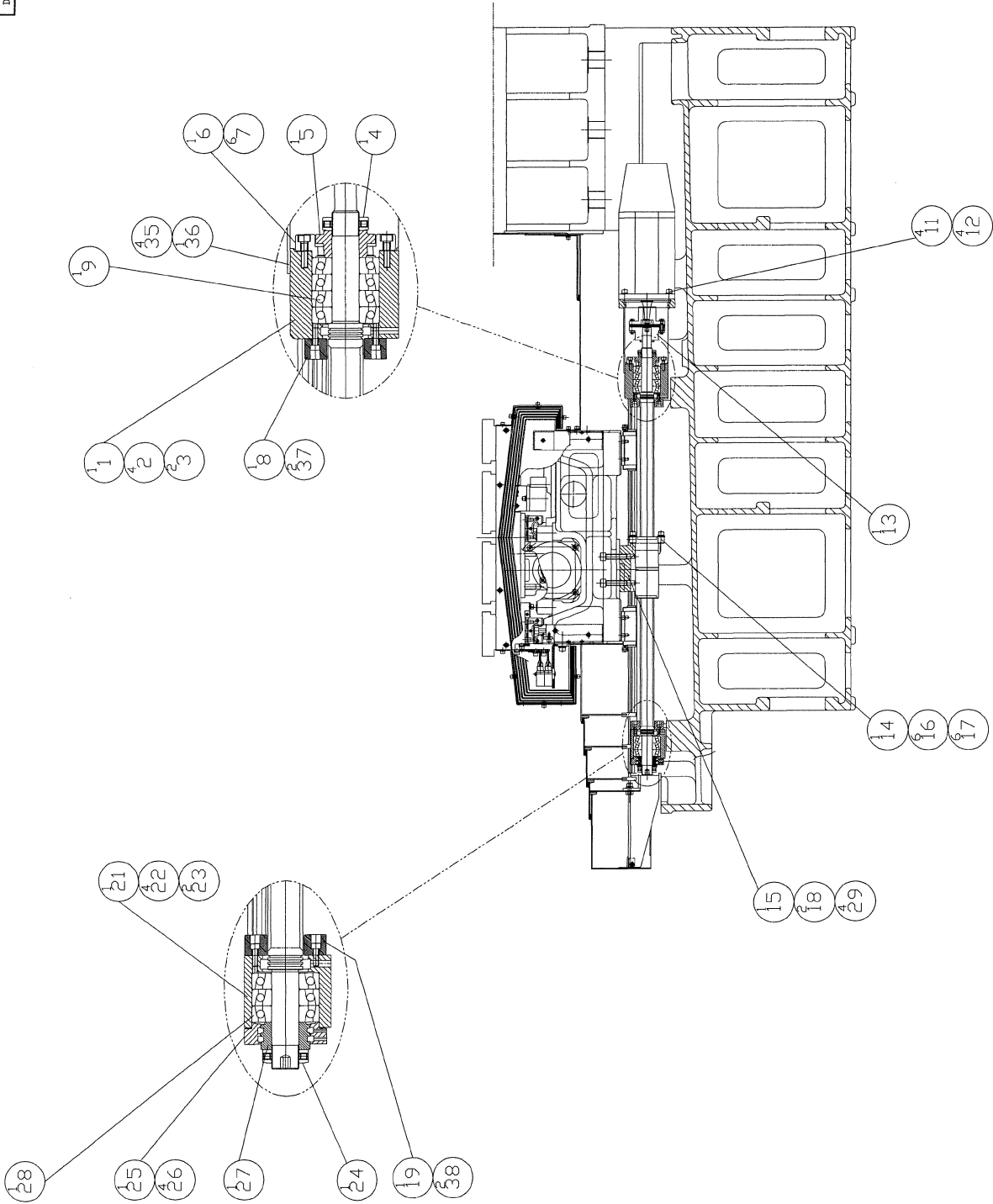
Description: Y-AXIS TRANSMISSION(HEIDENHAIN)
Y軸傳動(HEIDENHAIN)

Item	Part NO.	Description	中文名稱	Specification	Qty	Unit
1.01	NVA001066137A	SEAT, X,Y AXIS MOTOR(S/HEI)D32	XY軸馬達座(SIEMENSE/HEIDENHAIN)D32	L228.5xW200xH130	1.00	EA
2.00	MS 0104224	SOCKET HEAD CAP SCREW	六角穴圓頭螺絲	M12xP1.75xL50	4.00	EA
3.00	NV 00032530104	TAPER PIN	斜銷	D8x60L	2.00	EA
4.00	NV 000049202A	LOCKNUT	鎖緊螺帽	[SHIANG KAIJM25x1.5	1.00	EA
5.00	NV 000179903A	SPACER, SUPPORT BRG	間隔圈	D55xd25xL25	1.00	EA
6.00	NV 001011508A	COVER,BALLSCREW	軸蓋	D92xd51xL21.5	1.00	EA
7.00	MS 0103619	SOCKET HEAD CAP SCREW	六角穴圓頭螺絲	M6xP1.0xL25	6.00	EA
8.01	NV 000691604A	BUMPER	止動環	D75xd34xH19	1.00	EA
9.00	NV 00002660102	BEARING, BALL SCREW SUPPORT	滾珠導桿斜角滾珠軸承	NSK 25TAC62BDDFFC10PN7B (4PCS/S	1.00	ST
11.00	MS 0103819	SOCKET HEAD CAP SCREW	六角穴圓頭螺絲	M8xP1.25xL25	4.00	EA
12.00	MW 0103810	FLAT WASHER	平墊圈	M8 (d8*D22.2)	4.00	EA
13.00	NV 001179219A	COUPLING(X,Y-AXIS,HEIDENHAIN)	聯軸器(X,Y-AXIS,HEIDENHAIN)	[[KTR]GS28/38-98SHA SPIDER(BOR	1.00	EA
14.00	NV 000190201AG	BALL SCREW, Y,Z-AXIS	YZ 軸滾珠導螺桿(磨)	[PMI]R32-10D1-FDVE-739-1023-0.	1.00	ST
15.00	NVA001066103A	BRACKET, BALLSCREW	導桿托架	L110xW115xH91.3	1.00	EA
16.00	MS 0103820	SOCKET HEAD CAP SCREW	六角穴圓頭螺絲	M8xP1.25xL30	6.00	EA
17.00	MW 0103810	FLAT WASHER	平墊圈	M8 (d8*D22.2)	6.00	EA
18.00	NV 00032530104	TAPER PIN	斜銷	D8x60L	2.00	EA
19.01	NV 000691604A	BUMPER	止動環	D75xd34xH19	1.00	EA
21.01	NVA001117604A	HOUSING, BEARING(D32)	XYZ軸承座(D32)	L128xW66xH80	1.00	EA
22.00	MS 0104020	SOCKET HEAD CAP SCREW	六角穴圓頭螺絲	M10xP1.5xL30	4.00	EA

PRODUCT BOM MASTER AND SUB-ITEMS LIST

Item	Part NO.	Description	中文名稱	Specification	Qty	Unit
23.00	NV 00032530104	TAPER PIN	斜銷	D8x60L	2.00	EA
24.00	NV 000049202A	LOCKNUT	鎖緊螺帽	[SHIANG KAIJM25x1.5	1.00	EA
25.00	NVA001011554A	COVER,BALLSCREW(HI-TORQUE)	軸承座蓋(高扭力、標準型共用)	W76xd45.5xL20	1.00	EA
26.00	MS 0103517	SOCKET HEAD CAP SCREW	六角穴圓頭螺絲	M5xP0.8xL16	4.00	EA
27.00	NVB000179902A	SPACER	間隔圈	D45xd25xL25	1.00	EA
28.00	NV 00002660103	BEARING, BALL SCREW SUPPORT	滾珠導桿斜角滾珠軸承	NSK 25TAC62BDFFC10PN7B (3PCS/S	1.00	ST
29.00	MS 0104224	SOCKET HEAD CAP SCREW	六角穴圓頭螺絲	M12xP1.75xL50	4.00	EA
35.00	MS 0103517	SOCKET HEAD CAP SCREW	六角穴圓頭螺絲	M5xP0.8xL16	4.00	EA
36.00	NV 001011529A	COVER, XYZ-AXIS MOTOR SEAT	XYZ軸馬達座蓋	L128XW148.5XH2.3	1.00	EA
37.00	MS 0103517	SOCKET HEAD CAP SCREW	六角穴圓頭螺絲	M5xP0.8xL16	2.00	EA
38.00	MS 0103517	SOCKET HEAD CAP SCREW	六角穴圓頭螺絲	M5xP0.8xL16	2.00	EA

REV.	DESCRIPTION	DATE	ECN.
B	1.1. 2006/04/25 2006/04/25 2006/04/25	2006/04/25	TVN0600
C	1.1. 2006/04/25 2006/04/25 2006/04/25	2006/04/25	9
D	1.1. 2006/04/25 2006/04/25 2006/04/25	2006/04/25	00075



MODEL: VMC600/800/1000	PART NUMBER: NV 000004604AT
PART NAME: Y-AXIS TRANSMISSION(HI-TORQUE)	PAGE 1 OF 1
PART NAME: Y 軸傳動(HI-TORQUE)	REV. D
DATE: 2000/4/25	SCALE: 1:1.5
DESIGNED BY: MICHAEL P.H.L.	

PRODUCT BOM MASTER AND SUB-ITEMS LIST

Master Item Part NO.: NV 000004604AT

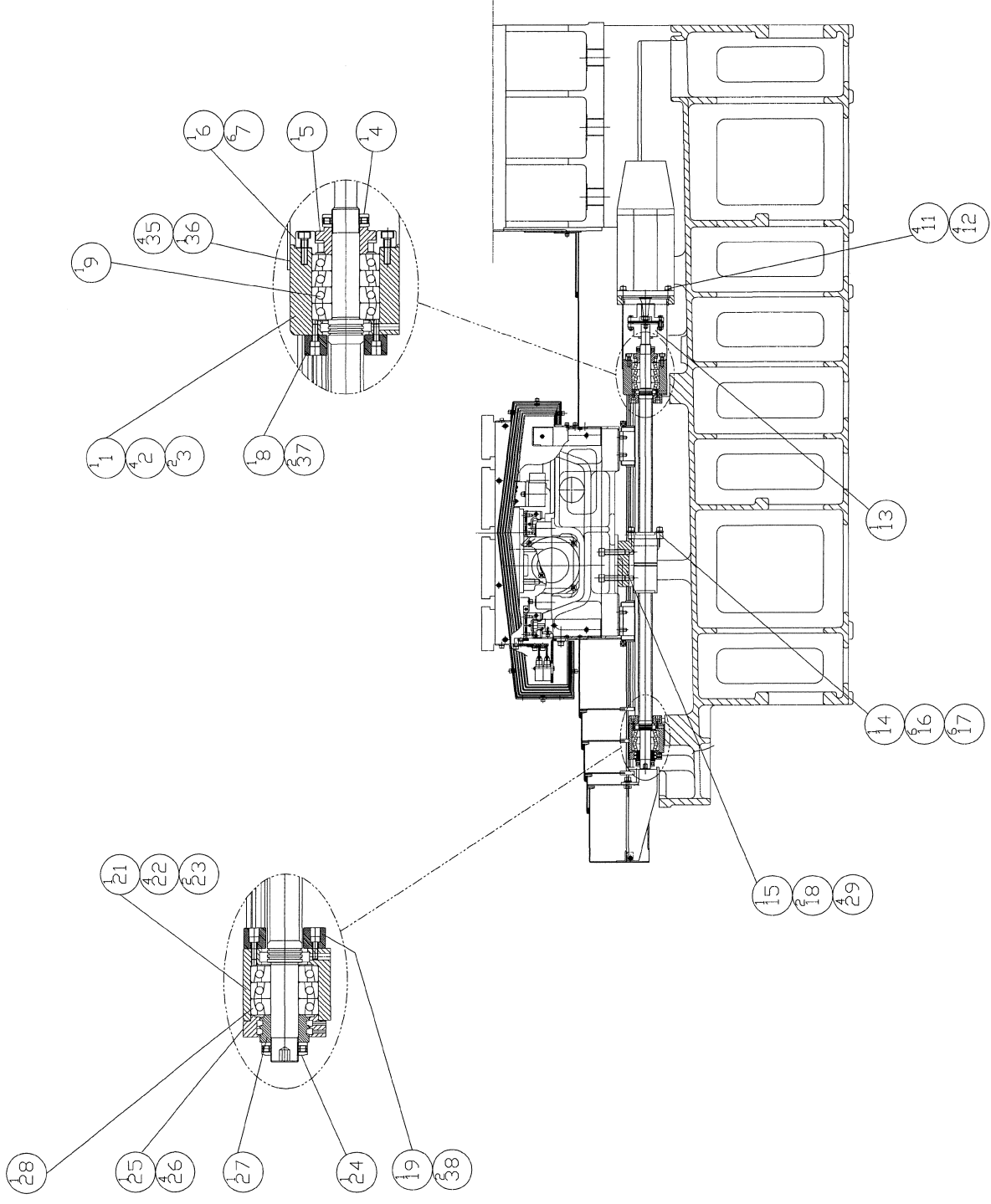
Description: Y-AXIS TRANSMISSION(HI-TORQUE)
Y軸傳動(高扭力)

Item Part NO.	Description	中文名稱	Specification	Qty	Unit
1.01	NV 001066249A SEAT, X,Y AXIS MOTOR(FANUC)D40	X,Y軸馬達座(FANUC)D40	L228.5xW200xH130	1.00	EA
2.00	MS 0104224 SOCKET HEAD CAP SCREW	六角穴圓頭螺絲	M12xP1.75xL50	4.00	EA
3.00	NV 00032530104 TAPER PIN	斜銷	D8x60L	2.00	EA
4.00	NV 000049206A LOCKNUT	鎖緊螺帽	[SHIANG KAIJM30X1.5	1.00	EA
5.00	NV 000179920A SPACER, SUPPORT BRG(HI-TORQUE)	間隔圈(高扭力)	D55xd30xL25	1.00	EA
6.00	NV 001011508A COVER,BALLSCREW	軸蓋	D92xd51xL21.5	1.00	EA
7.00	MS 0103618 SOCKET HEAD CAP SCREW	六角穴圓頭螺絲	M6xP1.0xL20	6.00	EA
8.01	NV 000691605A BUMPER	止動環	D75xd42xH19	1.00	EA
9.00	NV 00002660109 BEARING, BALL SCREW SUPPORT	滾珠導桿斜角滾珠軸承	NSK 30TAC62BDDFFC10PN7B (4PCS/S	1.00	ST
11.00	MS 0103819 SOCKET HEAD CAP SCREW	六角穴圓頭螺絲	M8xP1.25xL25	4.00	EA
12.00	MW 0103810 FLAT WASHER	平墊圈	M8 (d8*D22.2)	4.00	EA
13.00	NV 001179200A COUPLING	聯軸器	D81xd16xL81	1.00	EA
14.00	NV 000190202A Y,Z-AXIS BALL SCREW(12K/15K RP	Y,Z軸滾珠導螺桿(12K/15K RPM)(高扭力)	[PMI] R40-10C1-FDVE-739-1023-0	1.00	ST
15.00	NV 001066129A BRACKET, BALLSCREW(HI-TORQUE)	導桿托架(高扭力)	L110xW115xH94.5	1.00	EA
16.00	MS 0103820 SOCKET HEAD CAP SCREW	六角穴圓頭螺絲	M8xP1.25xL30	6.00	EA
17.00	MW 0103810 FLAT WASHER	平墊圈	M8 (d8*D22.2)	6.00	EA
18.00	NV 00032530104 TAPER PIN	斜銷	D8x60L	2.00	EA
19.01	NV 000691605A BUMPER	止動環	D75xd42xH19	1.00	EA
21.01	NV 001117608A HOUSING, BEARING(D40)	XYZ軸承座(D40)	L128xW66xH80	1.00	EA
22.00	MS 0104020 SOCKET HEAD CAP SCREW	六角穴圓頭螺絲	M10xP1.5xL30	4.00	EA

PRODUCT BOM MASTER AND SUB-ITEMS LIST

Item Part NO.	Description	中文名稱	Specification	Qty	Unit
23.00 NV 00032530104	TAPER PIN	斜銷	D8x60L	2.00	EA
24.00 NV 000049206A	LOCKNUT	鎖緊螺帽	[SHIANG KAIJM30X1.5	1.00	EA
25.00 NVA001011554A	COVER,BALLSCREW(HI-TORQUE)	軸承座蓋(高扭力、標準型共用)	W76xd45.5xL20	1.00	EA
26.00 MS 0103517	SOCKET HEAD CAP SCREW	六角穴圓頭螺絲	M5xP0.8xL16	4.00	EA
27.00 NVA000179919A	SPACER(HI-TORQUE)	間隔圈(高扭力)	D45xd30xL25	1.00	EA
28.00 NV 00002660110	BEARING, BALL SCREW SUPPORT	滾珠導桿斜角滾珠軸承	NSK 30TAC62BDFDC10PN7B (3PCS/S	1.00	ST
29.00 MS 0104224	SOCKET HEAD CAP SCREW	六角穴圓頭螺絲	M12xP1.75xL50	4.00	EA
35.00 MS 0103517	SOCKET HEAD CAP SCREW	六角穴圓頭螺絲	M5xP0.8xL16	4.00	EA
36.00 NV 001011529A	COVER, XYZ-AXIS MOTOR SEAT	XYZ軸馬達座蓋	L128XW148.5XH2.3	1.00	EA
37.00 MS 0103517	SOCKET HEAD CAP SCREW	六角穴圓頭螺絲	M5xP0.8xL16	2.00	EA
38.00 MS 0103517	SOCKET HEAD CAP SCREW	六角穴圓頭螺絲	M5xP0.8xL16	2.00	EA

REV.	DESCRIPTION	DATE	ECN.
A	15K ← 無配重平衡器標準設計	7/18/2002	INV034E
B	15K ← 無配重平衡器標準設計	12/21/2005	INV060C
C	15K ← 無配重平衡器標準設計	2006/5/15	9



MODEL: VMC600/800/1000	PART NUMBER	REV. C
PART NAME	NV 000004613A	
Y-AXIS TRAVERSE(15K-RPM W/D Counter-balance)	PAGE 1 OF 1	
Y 軸移動機構(15K-RPM 無配重)		
DATE: 2002/7/12	SCALE: 1:1.5	

PRODUCT BOM MASTER AND SUB-ITEMS LIST

Master Item Part NO.: NV 000004613A

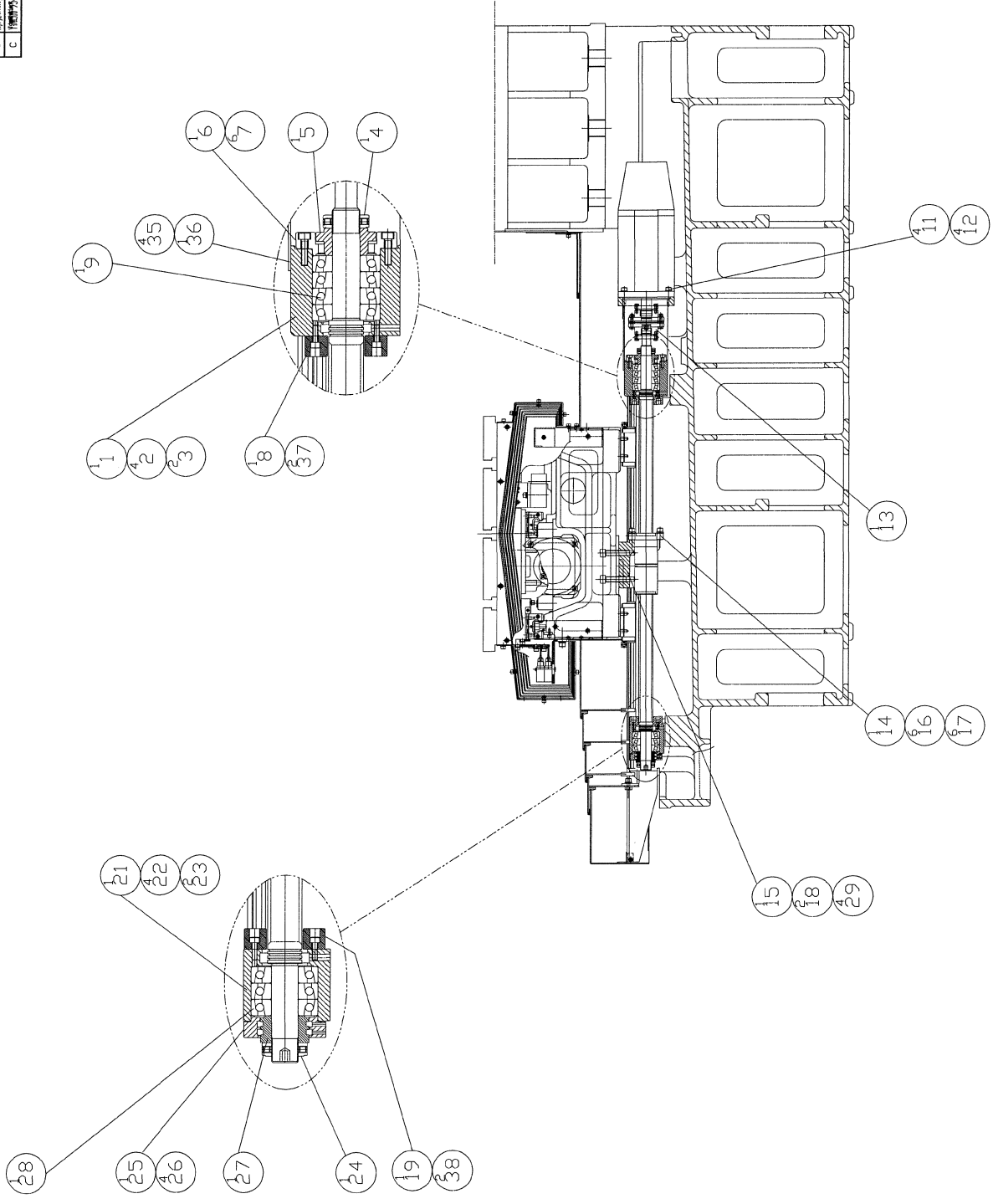
Description: Y-AXIS TRANSMISSION(15K-RPM W/
Y軸傳動(15K-RPM W/O Counter-balan

Item Part NO.	Description	中文名稱	Specification	Qty	Unit
1.01	NVA001066127A SEAT, X,Y AXIS MOTOR(FANUC)D32	X,Y軸馬達座(FANUC)D32	L228.5xW200xH130	1.00	EA
2.00	MS 0104224 SOCKET HEAD CAP SCREW	六角穴圓頭螺絲	M12xP1.75xL50	4.00	EA
3.00	NV 00032530104 TAPER PIN	斜銷	D8x60L	2.00	EA
4.00	NV 000049202A LOCKNUT	鎖緊螺帽	[SHIANG KAIJM25x1.5	1.00	EA
5.00	NV 000179903A SPACER, SUPPORT BRG	間隔圈	D55xd25xL25	1.00	EA
6.00	NV 001011508A COVER,BALLSCREW	軸蓋	D92xd51xL21.5	1.00	EA
7.00	MS 0103618 SOCKET HEAD CAP SCREW	六角穴圓頭螺絲	M6xP1.0xL20	6.00	EA
8.01	NV 000691604A BUMPER	止動環	D75xd34xH19	1.00	EA
9.00	NV 00002660102 BEARING, BALL SCREW SUPPORT	滾珠導桿斜角滾珠軸承	NSK 25TAC62BDDFFC10PN7B (4PCS/S	1.00	ST
11.00	MS 0103819 SOCKET HEAD CAP SCREW	六角穴圓頭螺絲	M8xP1.25xL25	4.00	EA
12.00	MW 0103810 FLAT WASHER	平墊圈	M8 (d8*D22.2)	4.00	EA
13.00	NV 001179200A COUPLING	聯軸器	D81xd16xL81	1.00	EA
14.00	NV 000190216A BALL SCREW, Y,Z-AXIS	Y,Z軸滾珠導螺桿(32m/min)	[PMI]R32-12C1-FDVE-739-1023-C3	1.00	ST
15.00	NVA001066103A BRACKET, BALLSCREW	導桿托架	L110xW115xH91.3	1.00	EA
16.00	MS 0103820 SOCKET HEAD CAP SCREW	六角穴圓頭螺絲	M8xP1.25xL30	6.00	EA
17.00	MW 0103810 FLAT WASHER	平墊圈	M8 (d8*D22.2)	6.00	EA
18.00	NV 00032530104 TAPER PIN	斜銷	D8x60L	2.00	EA
19.01	NV 000691604A BUMPER	止動環	D75xd34xH19	1.00	EA
21.01	NVA001117604A HOUSING, BEARING(D32)	XYZ軸承座(D32)	L128xW66xH80	1.00	EA
22.00	MS 0104020 SOCKET HEAD CAP SCREW	六角穴圓頭螺絲	M10xP1.5xL30	4.00	EA

PRODUCT BOM MASTER AND SUB-ITEMS LIST

Item	Part NO.	Description	中文名稱	Specification	Qty	Unit
23.00	NV 00032530104	TAPER PIN	斜銷	D8x60L	2.00	EA
24.00	NV 000049202A	LOCKNUT	鎖緊螺帽	[SHIANG KAIJM25x1.5	1.00	EA
25.00	NVA001011554A	COVER,BALLSCREW(HI-TORQUE)	軸承座蓋(高扭力、標準型共用)	W76xd45.5xL20	1.00	EA
26.00	MS 0103517	SOCKET HEAD CAP SCREW	六角穴圓頭螺絲	M5xP0.8xL16	4.00	EA
27.00	NVB000179902A	SPACER	間隔圈	D45xd25xL25	1.00	EA
28.00	NV 00002660103	BEARING, BALL SCREW SUPPORT	滾珠導桿斜角滾珠軸承	NSK 25TAC62BDFFC10PN7B (3PCS/S	1.00	ST
29.00	MS 0104224	SOCKET HEAD CAP SCREW	六角穴圓頭螺絲	M12xP1.75xL50	4.00	EA
35.00	MS 0103517	SOCKET HEAD CAP SCREW	六角穴圓頭螺絲	M5xP0.8xL16	4.00	EA
36.00	NV 001011529A	COVER, XYZ-AXIS MOTOR SEAT	XYZ軸馬達座蓋	L128XW148.5XH2.3	1.00	EA
37.00	MS 0103517	SOCKET HEAD CAP SCREW	六角穴圓頭螺絲	M5xP0.8xL16	2.00	EA
38.00	MS 0103517	SOCKET HEAD CAP SCREW	六角穴圓頭螺絲	M5xP0.8xL16	2.00	EA

REV	DESCRIPTION	DATE	ECN
A	15K ← 無配運平衡機軸	7/18/2002	INV0342
B	15K ← 無配運平衡機軸 55.5mm	2005/08/10	INV0500
C	15K ← 無配運平衡機軸 55.5mm	2006/07/15	9



MODEL: VMC600/800/1000	PART NUMBER
PART NAME	NV 000004613AC
Y-AXIS TRAVERSE(15K-RPM W/O Counter-balance)(SIEMENS)	PAGE 1 OF 1
Y軸轉動(15K-RPM 無配運)(SIEMENS)	REV. C
DATE 2002/7/12	SCALE 1:1.5
DESIGNED BY P.H.L.	

PRODUCT BOM MASTER AND SUB-ITEMS LIST

Master Item Part NO.: NV 000004613AC

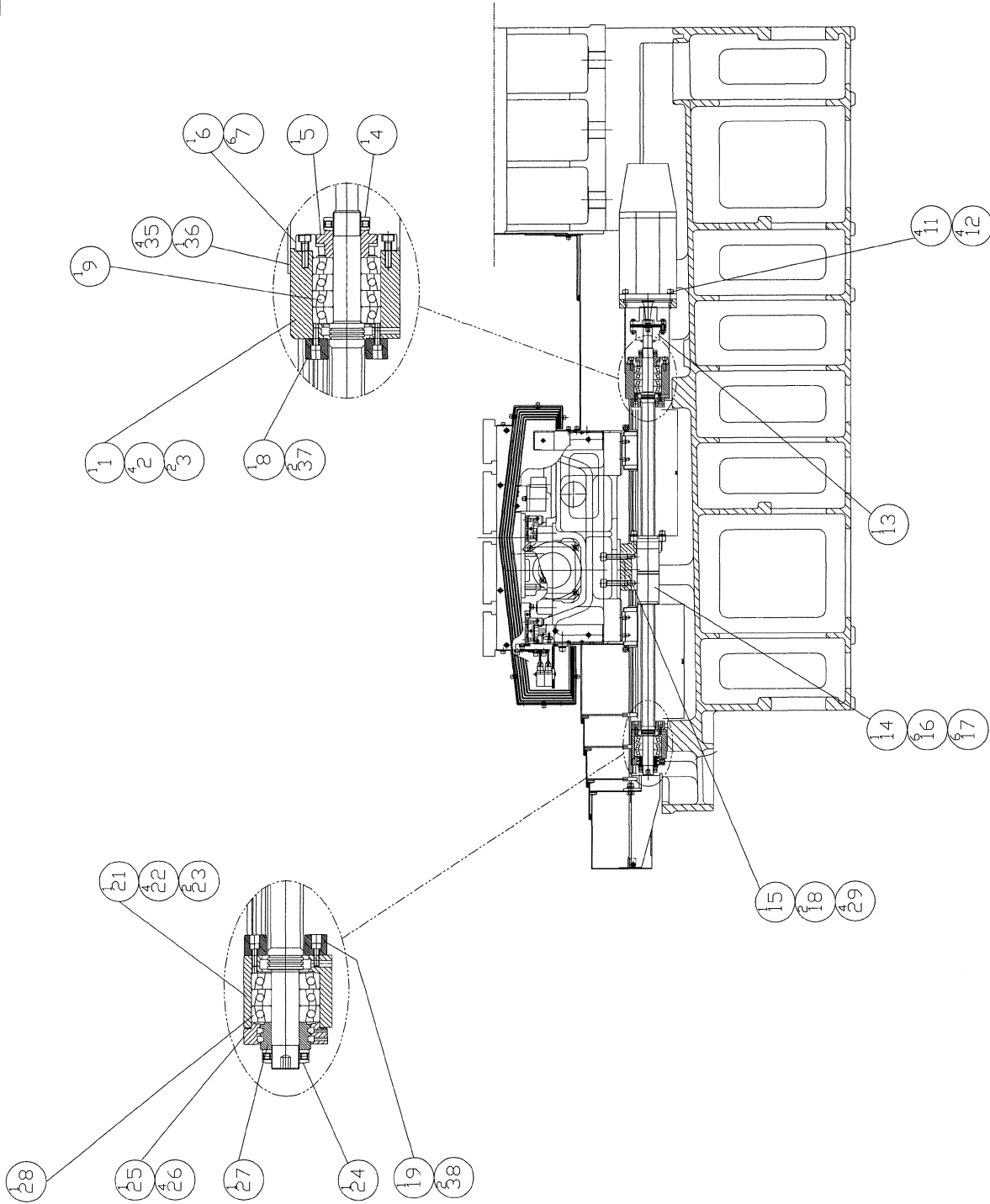
Description: Y-AXIS TRANSMISSION(15K-RPM W/
Y軸傳動(15K-RPM W/O Counter-balan

Item	Part NO.	Description	中文名稱	Specification	Qty	Unit
1.01	NVA001066137A	SEAT, X,Y AXIS MOTOR(S/HEI)D32	XY軸馬達座(SIEMENSE/HEIDENHAIN)D32	L228.5xW200xH130	1.00	EA
2.00	MS 0104224	SOCKET HEAD CAP SCREW	六角穴圓頭螺絲	M12xP1.75xL50	4.00	EA
3.00	NV 00032530104	TAPER PIN	斜銷	D8x60L	2.00	EA
4.00	NV 000049202A	LOCKNUT	鎖緊螺帽	[SHIANG KAIJM25x1.5	1.00	EA
5.00	NV 000179903A	SPACER, SUPPORT BRG	間隔圈	D55xd25xL25	1.00	EA
6.00	NV 001011508A	COVER,BALLSCREW	軸蓋	D92xd51xL21.5	1.00	EA
7.00	MS 0103618	SOCKET HEAD CAP SCREW	六角穴圓頭螺絲	M6xP1.0xL20	6.00	EA
8.01	NV 000691604A	BUMPER	止動環	D75xd34xH19	1.00	EA
9.00	NV 00002660102	BEARING, BALL SCREW SUPPORT	滾珠導桿斜角滾珠軸承	NSK 25TAC62BDDFFC10PN7B (4PCS/S	1.00	ST
11.00	MS 0103819	SOCKET HEAD CAP SCREW	六角穴圓頭螺絲	M8xP1.25xL25	4.00	EA
12.00	MW 0103810	FLAT WASHER	平墊圈	M8 (d8*D22.2)	4.00	EA
13.00	NV 001179201A	COUPLING	聯軸器	D82xd20xL76.2	1.00	EA
14.00	NV 000190216A	BALL SCREW, Y,Z-AXIS	Y,Z軸滾珠導螺桿(32m/min)	[PMI]R32-12C1-FDVE-739-1023-C3	1.00	ST
15.00	NVA001066103A	BRACKET, BALLSCREW	導桿托架	L110xW115xH91.3	1.00	EA
16.00	MS 0103820	SOCKET HEAD CAP SCREW	六角穴圓頭螺絲	M8xP1.25xL30	6.00	EA
17.00	MW 0103810	FLAT WASHER	平墊圈	M8 (d8*D22.2)	6.00	EA
18.00	NV 00032530104	TAPER PIN	斜銷	D8x60L	2.00	EA
19.01	NV 000691604A	BUMPER	止動環	D75xd34xH19	1.00	EA
21.01	NVA001117604A	HOUSING, BEARING(D32)	XYZ軸承座(D32)	L128xW66xH80	1.00	EA
22.00	MS 0104020	SOCKET HEAD CAP SCREW	六角穴圓頭螺絲	M10xP1.5xL30	4.00	EA

PRODUCT BOM MASTER AND SUB-ITEMS LIST

Item	Part NO.	Description	中文名稱	Specification	Qty	Unit
23.00	NV 00032530104	TAPER PIN	斜銷	D8x60L	2.00	EA
24.00	NV 000049202A	LOCKNUT	鎖緊螺帽	[SHIANG KAIJM25x1.5	1.00	EA
25.00	NVA001011554A	COVER,BALLSCREW(HI-TORQUE)	軸承座蓋(高扭力、標準型共用)	W76xd45.5xL20	1.00	EA
26.00	MS 0103517	SOCKET HEAD CAP SCREW	六角穴圓頭螺絲	M5xP0.8xL16	4.00	EA
27.00	NVB000179902A	SPACER	間隔圈	D45xd25xL25	1.00	EA
28.00	NV 00002660103	BEARING, BALL SCREW SUPPORT	滾珠導桿斜角滾珠軸承	NSK 25TAC62BDFFC10PN7B (3PCS/S	1.00	ST
29.00	MS 0104224	SOCKET HEAD CAP SCREW	六角穴圓頭螺絲	M12xP1.75xL50	4.00	EA
35.00	MS 0103517	SOCKET HEAD CAP SCREW	六角穴圓頭螺絲	M5xP0.8xL16	4.00	EA
36.00	NV 001011529A	COVER, XYZ-AXIS MOTOR SEAT	XYZ軸馬達座蓋	L128XW148.5XH2.3	1.00	EA
37.00	MS 0103517	SOCKET HEAD CAP SCREW	六角穴圓頭螺絲	M5xP0.8xL16	2.00	EA
38.00	MS 0103517	SOCKET HEAD CAP SCREW	六角穴圓頭螺絲	M5xP0.8xL16	2.00	EA

REV	DESCRIPTION	DATE	ECN
A	零件名稱	2006/2/21	INV0657
B	零件名稱	2006/2/15	9



快速進給32m/min

MODEL: VMC600/800/1000

PART NAME Y-AXIS TRANSMISSION(32m/min)

PART NUMBER NV 000004627A

PAGE 1 OF 1

REV. B

SCALE 1:1.5

DATE 2006/3/21

DESIGNER

PHL

PRODUCT BOM MASTER AND SUB-ITEMS LIST

Master Item Part NO.: NV 000004627A

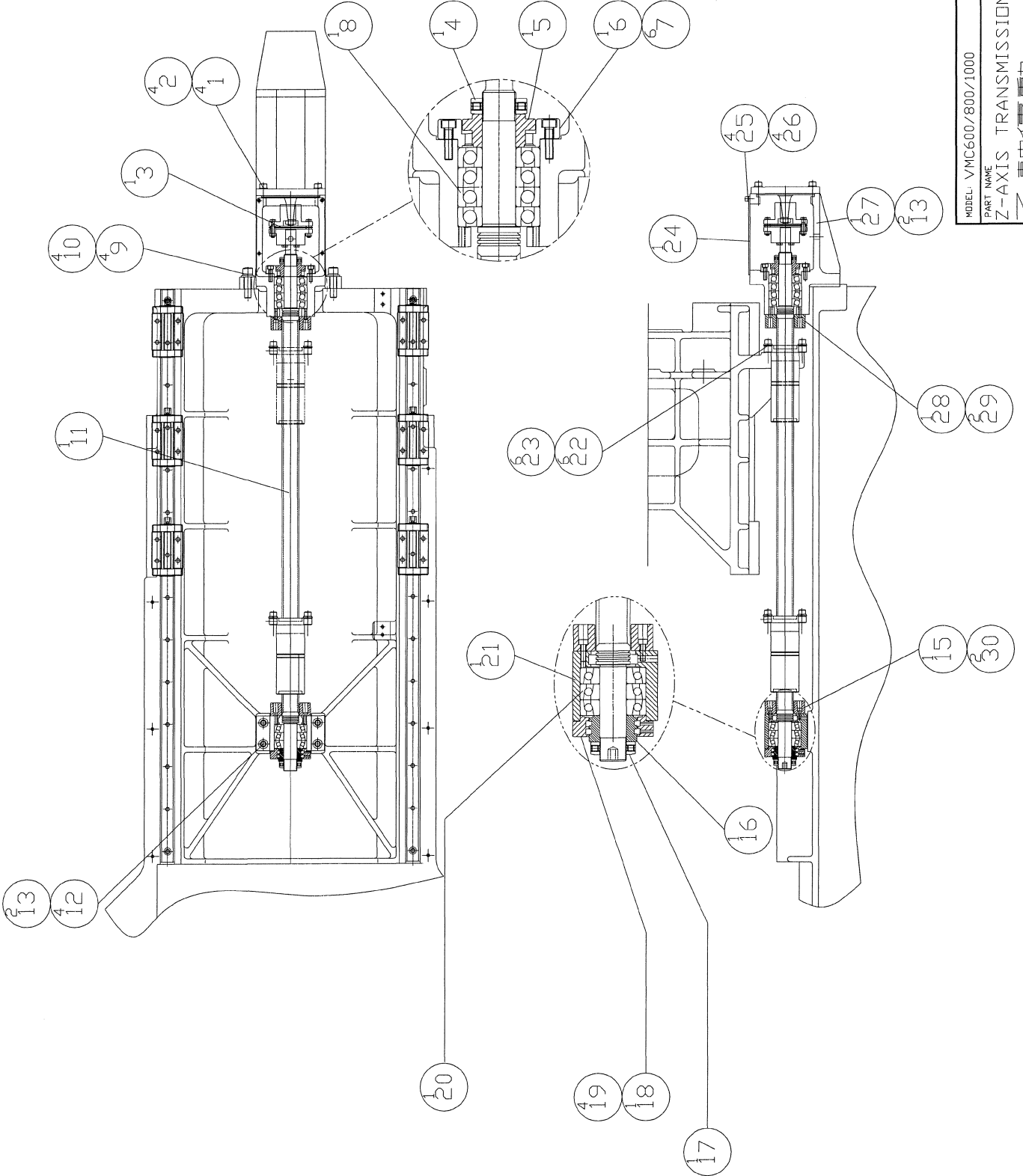
Description: Y-AXIS TRANSMISSION
Y軸傳動

Item	Part NO.	Description	中文名稱	Specification	Qty	Unit
1.01	NVA001066127A	SEAT, X,Y AXIS MOTOR(FANUC)D32	X,Y軸馬達座(FANUC)D32	L228.5xW200xH130	1.00	EA
2.00	MS 0104224	SOCKET HEAD CAP SCREW	六角六圓頭螺絲	M12xP1.75xL50	4.00	EA
3.00	NV 00032530104	TAPER PIN	斜銷	D8x60L	2.00	EA
4.00	NV 000049202A	LOCKNUT	鎖緊螺帽	[SHIANG KAI]M25x1.5	1.00	EA
5.00	NV 000179903A	SPACER, SUPPORT BRG	間隔圈	D55xd25xL25	1.00	EA
6.00	NV 001011508A	COVER,BALLSCREW	軸蓋	D92xd51xL21.5	1.00	EA
7.00	MS 0103618	SOCKET HEAD CAP SCREW	六角六圓頭螺絲	M6xP1.0xL20	6.00	EA
8.01	NV 000691604A	BUMPER	止動環	D75xd34xH19	1.00	EA
9.00	NV 00002660102	BEARING, BALL SCREW SUPPORT	滾珠導桿斜角滾珠軸承	NSK 25TAC62BDFFC10PN7B (4PCS/S	1.00	ST
11.00	MS 0103819	SOCKET HEAD CAP SCREW	六角六圓頭螺絲	M8xP1.25xL25	4.00	EA
12.00	MW 0103810	FLAT WASHER	平墊圈	M8 (d8*D22.2)	4.00	EA
13.00	NV 001179200A	COUPLING	聯軸器	D81xd16xL81	1.00	EA
14.00	NV 000190216A	BALL SCREW, Y,Z-AXIS	Y,Z軸滾珠導螺桿(32m/min)	[PMI]R32-12C1-FDVE-739-1023-C3	1.00	ST
15.00	NVA001066103A	BRACKET, BALLSCREW	導桿托架	L110xW115xH91.3	1.00	EA
16.00	MS 0103820	SOCKET HEAD CAP SCREW	六角六圓頭螺絲	M8xP1.25xL30	6.00	EA
17.00	MW 0103810	FLAT WASHER	平墊圈	M8 (d8*D22.2)	6.00	EA
18.00	NV 00032530104	TAPER PIN	斜銷	D8x60L	2.00	EA
19.01	NV 000691604A	BUMPER	止動環	D75xd34xH19	1.00	EA
21.01	NVA00117604A	HOUSING, BEARING(D32)	XYZ軸承座(D32)	L128xW66xH80	1.00	EA
22.00	MS 0104020	SOCKET HEAD CAP SCREW	六角六圓頭螺絲	M10xP1.5xL30	4.00	EA

PRODUCT BOM MASTER AND SUB-ITEMS LIST

Item	Part NO.	Description	中文名稱	Specification	Qty	Unit
23.00	NV 00032530104	TAPER PIN	斜銷	D8x60L	2.00	EA
24.00	NV 000049202A	LOCKNUT	鎖緊螺帽	[SHIANG KAI]M25x1.5	1.00	EA
25.00	NVA001011554A	COVER,BALLSCREW(HI-TORQUE)	軸承座蓋(高扭力、標準型共用)	W76xd45.5xL20	1.00	EA
26.00	MS 0103517	SOCKET HEAD CAP SCREW	六角穴圓頭螺絲	M5xP0.8xL16	4.00	EA
27.00	NVB000179902A	SPACER	間隔圈	D45xd25xL25	1.00	EA
28.00	NV 00002660103	BEARING, BALL SCREW SUPPORT	滾珠導桿斜角滾珠軸承	NSK 25TAC62BDFFC10PN7B (3PCS/S)	1.00	ST
29.00	MS 0104224	SOCKET HEAD CAP SCREW	六角穴圓頭螺絲	M12xP1.75xL50	4.00	EA
35.00	MS 0103517	SOCKET HEAD CAP SCREW	六角穴圓頭螺絲	M5xP0.8xL16	4.00	EA
36.00	NV 001011529A	COVER,XYZ-AXIS MOTOR SEAT	XYZ軸馬達座蓋	L128XW148.5XH2.3	1.00	EA
37.00	MS 0103517	SOCKET HEAD CAP SCREW	六角穴圓頭螺絲	M5xP0.8xL16	2.00	EA
38.00	MS 0103517	SOCKET HEAD CAP SCREW	六角穴圓頭螺絲	M5xP0.8xL16	2.00	EA

REV	DESCRIPTION	DATE	ECN
B	X,Y,Z TRANSMISSION PARTS FOR Z AXIS	2005/08/24	TRV5602



MODEL: VMC600/800/1000	PART NUMBER	NV 000004702A
PART NAME	Z-AXIS TRANSMISSION	
自由伝達装置	PAGE 1	OF 1
DATE 1999/5/11	SCALE 1:1	REV. B

PRODUCT BOM MASTER AND SUB-ITEMS LIST

Master Item Part NO.: NV 000004702A

Description: Z-AXIS TRANSMISSION
Z 軸傳動

Item Part NO.	Description	中文名稱	Specification	Qty	Unit
1.00 MS 0103819	SOCKET HEAD CAP SCREW	六角穴圓頭螺絲	M8xP1.25xL25	4.00	EA
2.00 MW 0183810	SPRING WASHER	彈簧墊圈	M8	4.00	EA
3.00 NV 001179200A	COUPLING	聯軸器	D81xd16xL81	1.00	EA
4.00 NV 000049202A	LOCKNUT	鎖緊螺帽	[SHIANG KAJJM25x1.5	1.00	EA
5.00 NV 000179903A	SPACER, SUPPORT BRG	間隔圈	D55xd25xL25	1.00	EA
6.00 NV 001011508A	COVER,BALLSCREW	軸蓋	D92xd51xL21.5	1.00	EA
7.00 MS 0103618	SOCKET HEAD CAP SCREW	六角穴圓頭螺絲	M6xP1.0xL20	6.00	EA
8.00 NV 00002660102	BEARING, BALL SCREW SUPPORT	滾珠導桿斜角滾珠軸承	NSK 25TAC62BDFFC10PN7B (4PCS/S	1.00	ST
9.00 MS 0104223	SOCKET HEAD CAP SCREW	六角穴圓頭螺絲	M12XP1.75XL45	4.00	EA
10.00 MW 0184210	SPRING WASHER	彈簧墊圈	M12	4.00	EA
11.00 NV 000190201AG	BALL SCREW, Y,Z-AXIS	YZ 軸滾珠導螺桿(磨)	[PMIJR32-10D1-FDVE-739-1023-0.	1.00	ST
12.00 MS 0104020	SOCKET HEAD CAP SCREW	六角穴圓頭螺絲	M10xP1.5xL30	4.00	EA
13.00 NV 00032530104	TAPER PIN	斜銷	D8x60L	4.00	EA
15.00 NVA000691600A	BUMPER	止動環	D75xg34xL25	1.00	EA
16.00 NVB000179902A	SPACER	間隔圈	D45xd25xL25	1.00	EA
17.00 NV 000049202A	LOCKNUT	鎖緊螺帽	[SHIANG KAJJM25x1.5	1.00	EA
18.00 NVA001011554A	COVER,BALLSCREW(HI-TORQUE)	軸承座蓋(高扭力、標準型共用)	W76xd45.5xL20	1.00	EA
19.00 MS 0103517	SOCKET HEAD CAP SCREW	六角穴圓頭螺絲	M5xP0.8xL16	4.00	EA
20.00 NV 00002660103	BEARING, BALL SCREW SUPPORT	滾珠導桿斜角滾珠軸承	NSK 25TAC62BDFFC10PN7B (3PCS/S	1.00	ST
21.00 NVA001117604A	HOUSING, BEARING(D32)	XYZ軸承座(D32)	L128xW66xH80	1.00	EA

PRODUCT BOM MASTER AND SUB-ITEMS LIST

Item	Part NO.	Description	中文名稱	Specification	Qty	Unit
22.00	MS 0103819	SOCKET HEAD CAP SCREW	六角穴圓頭螺絲	M8xP1.25xL25	6.00	EA
23.00	MW 0183810	SPRING WASHER	彈簧墊圈	M8	6.00	EA
24.00	NV 001011529A	COVER, XYZ-AXIS MOTOR SEAT	XYZ軸馬達座蓋	L128XW148.5XH2.3	1.00	EA
25.00	MW 0183510	SPRING WASHER	彈簧墊圈	M5	4.00	EA
26.00	MS 0103515	SOCKET HEAD CAP SCREW	六角穴圓頭螺絲	M5xP0.8xL10	4.00	EA
27.00	NVA001066128A	Z-AXIS SEAT, MOTOR(HI-TORQUE)	Z軸馬達座(高扭力、標準型共用)	L229.5XW188XH170	1.00	EA
28.00	NVA000691600A	BUMPER	止動環	D75xd34xL25	1.00	EA
29.00	MS 0103517	SOCKET HEAD CAP SCREW	六角穴圓頭螺絲	M5xP0.8xL16	2.00	EA
30.00	MS 0103517	SOCKET HEAD CAP SCREW	六角穴圓頭螺絲	M5xP0.8xL16	2.00	EA

PRODUCT BOM MASTER AND SUB-ITEMS LIST

Master Item Part NO.: NV 000004702AC

Description: Z-AXIS TRANSMISSION(SIEMENS)

Z 軸傳動(SIEMENS)

Item Part NO.	Description	中文名稱	Specification	Qty	Unit
1.00 MS 0103819	SOCKET HEAD CAP SCREW	六角穴圓頭螺絲	M8xP1.25xL25	4.00	EA
2.00 MW 0183810	SPRING WASHER	彈簧墊圈	M8	4.00	EA
3.00 NV 001179201A	COUPLING	聯軸器	D82xd20xL76.2	1.00	EA
4.00 NV 000049202A	LOCKNUT	鎖緊螺帽	[SHIANG KAIJM25x1.5	1.00	EA
5.00 NV 000179903A	SPACER, SUPPORT BRG	間隔圈	D55xd25xL25	1.00	EA
6.00 NV 001011508A	COVER,BALLSCREW	軸蓋	D92xd51xL21.5	1.00	EA
7.00 MS 0103618	SOCKET HEAD CAP SCREW	六角穴圓頭螺絲	M6xP1.0xL20	6.00	EA
8.00 NV 00002660102	BEARING, BALL SCREW SUPPORT	滾珠導桿斜角滾珠軸承	NSK 25TAC62BDFFC10PN7B (4PCS/S	1.00	ST
9.00 MS 0104223	SOCKET HEAD CAP SCREW	六角穴圓頭螺絲	M12XP1.75XL45	4.00	EA
10.00 MW 0184210	SPRING WASHER	彈簧墊圈	M12	4.00	EA
11.00 NV 000190201AG	BALL SCREW, Y,Z-AXIS	YZ 軸滾珠導螺桿(磨)	[PMJR32-10D1-FDVE-739-1023-0.	1.00	ST
12.00 MS 0104020	SOCKET HEAD CAP SCREW	六角穴圓頭螺絲	M10xP1.5xL30	4.00	EA
13.00 NV 00032530104	TAPER PIN	斜銷	D8x60L	4.00	EA
15.00 NVA000691600A	BUMPER	止動環	D75xd34xL25	1.00	EA
16.00 NVB000179902A	SPACER	間隔圈	D45xd25xL25	1.00	EA
17.00 NV 000049202A	LOCKNUT	鎖緊螺帽	[SHIANG KAIJM25x1.5	1.00	EA
18.00 NVA001011554A	COVER,BALLSCREW(HI-TORQUE)	軸承座蓋(高扭力、標準型共用)	W76xd45.5xL20	1.00	EA
19.00 MS 0103517	SOCKET HEAD CAP SCREW	六角穴圓頭螺絲	M5xP0.8xL16	4.00	EA
20.00 NV 00002660103	BEARING, BALL SCREW SUPPORT	滾珠導桿斜角滾珠軸承	NSK 25TAC62BDFFC10PN7B (3PCS/S	1.00	ST
21.00 NVA001117604A	HOUSING, BEARING(D32)	XYZ軸承座(D32)	L128xW66xH80	1.00	EA

PRODUCT BOM MASTER AND SUB-ITEMS LIST

Item	Part NO.	Description	中文名稱	Specification	Qty	Unit
22.00	MS 0103819	SOCKET HEAD CAP SCREW	六角穴圓頭螺絲	M8xP1.25xL25	6.00	EA
23.00	MW 0183810	SPRING WASHER	彈簧墊圈	M8	6.00	EA
24.00	NV 001011529A	COVER, XYZ-AXIS MOTOR SEAT	XYZ軸馬達座蓋	L128XW148.5XH2.3	1.00	EA
25.00	MW 0183510	SPRING WASHER	彈簧墊圈	M5	4.00	EA
26.00	MS 0103515	SOCKET HEAD CAP SCREW	六角穴圓頭螺絲	M5xP0.8xL10	4.00	EA
27.00	NVA001066138A	SEAT, Z-AXIS MOTOR(SIEMENSE)	Z軸馬達座(SIEMENSE)	L229.5XW188XH170	1.00	EA
28.00	NVA000691600A	BUMPER	止動環	D75xd34xL25	1.00	EA
29.00	MS 0103517	SOCKET HEAD CAP SCREW	六角穴圓頭螺絲	M5xP0.8xL16	2.00	EA
30.00	MS 0103517	SOCKET HEAD CAP SCREW	六角穴圓頭螺絲	M5xP0.8xL16	2.00	EA

PRODUCT BOM MASTER AND SUB-ITEMS LIST

Master Item Part NO.: NV 000004713A

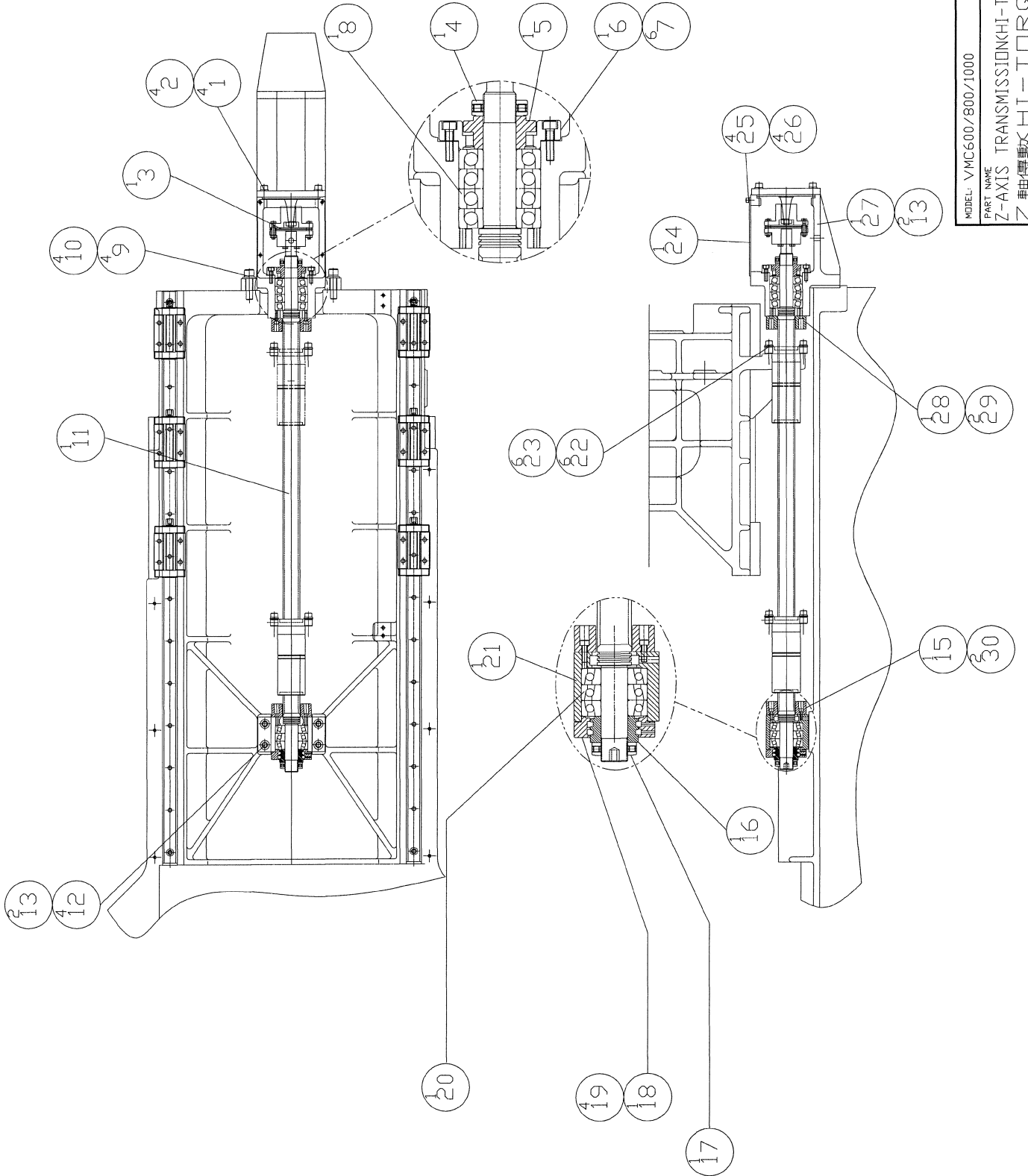
Description: Z-AXIS TRANSMISSION(HEIDENHAIN)
Z 軸傳動(HEIDENHAIN)

Item	Part NO.	Description	中文名稱	Specification	Qty	Unit
1.00	MS 0104019	SOCKET HEAD CAP SCREW	六角穴圓頭螺絲	M10xP1.5xL25	4.00	EA
2.00	MW 0184010	SPRING WASHER	彈簧墊圈	M10	4.00	EA
3.00	NV 001179218A	COUPLING(Z-AXIS,HEIDENHAIN)	聯軸器(Z-AXIS,HEIDENHAIN)	[KTR] GS28/38 98 ShA Spider (b	1.00	EA
4.00	NV 000049202A	LOCKNUT	鎖緊螺帽	[SHIANG KAI]M25x1.5	1.00	EA
5.00	NV 000179903A	SPACER, SUPPORT BRG	間隔圈	D55xd25xL25	1.00	EA
6.00	NV 001011508A	COVER,BALLSCREW	軸蓋	D92xd51xL21.5	1.00	EA
7.00	MS 0103618	SOCKET HEAD CAP SCREW	六角穴圓頭螺絲	M6xP1.0xL20	6.00	EA
8.00	NV 00002660102	BEARING, BALL SCREW SUPPORT	滾珠導桿斜角滾珠軸承	NSK 25TAC62BDFFC10PN7B (4PCS/S	1.00	ST
9.00	MS 0104223	SOCKET HEAD CAP SCREW	六角穴圓頭螺絲	M12XP1.75XL45	4.00	EA
10.00	MW 0184210	SPRING WASHER	彈簧墊圈	M12	4.00	EA
11.00	NV 000190201AG	BALL SCREW, Y,Z-AXIS	YZ 軸滾珠導桿(磨)	[PMIJR32-10D1-FDVE-739-1023-0.	1.00	ST
12.00	MS 0104020	SOCKET HEAD CAP SCREW	六角穴圓頭螺絲	M10xP1.5xL30	4.00	EA
13.00	NV 00032530104	TAPER PIN	斜銷	D8x60L	4.00	EA
15.00	NVA000691600A	BUMPER	止動環	D75xd34xL25	1.00	EA
16.00	NVB000179902A	SPACER	間隔圈	D45xd25xL25	1.00	EA
17.00	NV 000049202A	LOCKNUT	鎖緊螺帽	[SHIANG KAI]M25x1.5	1.00	EA
18.00	NVA001011554A	COVER,BALLSCREW(HI-TORQUE)	軸承座蓋(高扭力、標準型共用)	W76xd45.5xL20	1.00	EA
19.00	MS 0103517	SOCKET HEAD CAP SCREW	六角穴圓頭螺絲	M5xP0.8xL16	4.00	EA
20.00	NV 00002660103	BEARING, BALL SCREW SUPPORT	滾珠導桿斜角滾珠軸承	NSK 25TAC62BDFFC10PN7B (3PCS/S	1.00	ST
21.00	NVA001117604A	HOUSING, BEARING(D32)	XYZ軸承座(D32)	L128xW66xH80	1.00	EA

PRODUCT BOM MASTER AND SUB-ITEMS LIST

Item Part NO.	Description	中文名稱	Specification	Qty	Unit
22.00 MS 0103819	SOCKET HEAD CAP SCREW	六角穴圓頭螺絲	M8xP1.25xL25	6.00	EA
23.00 MW 0183810	SPRING WASHER	彈簧墊圈	M8	6.00	EA
24.00 NV 001011529A	COVER, XYZ-AXIS MOTOR SEAT	XYZ軸馬達座蓋	L128XW148.5XH2.3	1.00	EA
25.00 MW 0183510	SPRING WASHER	彈簧墊圈	M5	4.00	EA
26.00 MS 0103515	SOCKET HEAD CAP SCREW	六角穴圓頭螺絲	M5xP0.8xL10	4.00	EA
27.00 NVA001066175A	Z-AXIS SEAT, MOTOR(QSY155)	Z軸馬達座(QSY155)	L190XW173.5XH243.5	1.00	EA
28.00 NVA000691600A	BUMPER	止動環	D75xd34xL25	1.00	EA

REV.	DESCRIPTION	DATE	ECN.
B	1.7.2006/4107/145.8.2127.29.011.0000	2005/09/01	INV560



MODEL: VMC600/800/1000	PART NUMBER	SCALE: 1:1
PART NAME	NV 000004702AT	REV. B
Z-AXIS TRANSMISSION(HI-TORQUE)	PAGE 1 OF 1	
Z 串軸傳動(HI-TORQUE)		
DATE: 1999/5/11	SCALE: 1:1	
DESIGNER: PHIL		

PRODUCT BOM MASTER AND SUB-ITEMS LIST

Master Item Part NO.: NV 000004702AT

Description: Z-AXIS TRANSMISSION(HI-TORQUE)

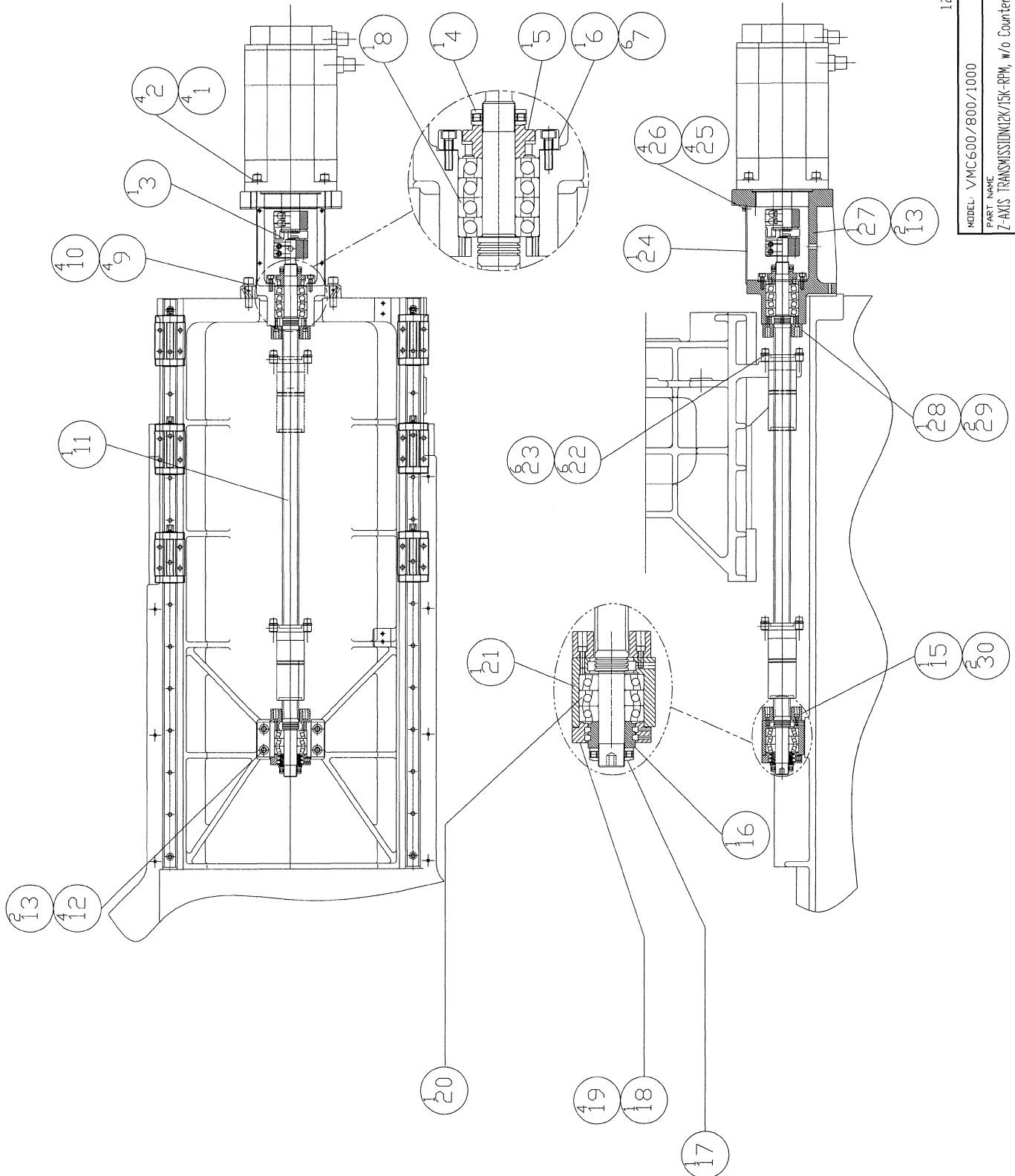
Z 軸傳動(高扭力)

Item	Part NO.	Description	中文名稱	Specification	Qty	Unit
1.00	MS 0103819	SOCKET HEAD CAP SCREW	六角穴圓頭螺絲	M8xP1.25xL25	4.00	EA
2.00	MW 0183810	SPRING WASHER	彈簧墊圈	M8	4.00	EA
3.00	NV 001179200A	COUPLING	聯軸器	D81xd16xL81	1.00	EA
4.00	NV 000049206A	LOCKNUT	鎖緊螺帽	[SHIANG KAIJM30X1.5	1.00	EA
5.00	NV 000179920A	SPACER, SUPPORT BRG(HI-TORQUE)	間隔圈(高扭力)	D55xd30xL25	1.00	EA
6.00	NV 001011508A	COVER,BALLSCREW	軸蓋	D92xd51xL21.5	1.00	EA
7.00	MS 0103618	SOCKET HEAD CAP SCREW	六角穴圓頭螺絲	M6xP1.0xL20	6.00	EA
8.00	NV 00002660109	BEARING, BALL SCREW SUPPORT	滾珠導桿斜角滾珠軸承	NSK 30TAC62BDFFC10PN7B (4PCS/S	1.00	ST
9.00	MS 0104223	SOCKET HEAD CAP SCREW	六角穴圓頭螺絲	M12XP1.75XL45	4.00	EA
10.00	MW 0184210	SPRING WASHER	彈簧墊圈	M12	4.00	EA
11.00	NV 000190202A	Y,Z-AXIS BALL SCREW(12K/15K RP	Y,Z軸滾珠導螺桿(12K/15K RPM)(高扭力)	[PMI] R40-10C1-FDVE-739-1023-0	1.00	ST
12.00	MS 0104020	SOCKET HEAD CAP SCREW	六角穴圓頭螺絲	M10xP1.5xL30	4.00	EA
13.00	NV 00032530104	TAPER PIN	斜銷	D8x60L	4.00	EA
15.00	NVA000691602A	BUMPER(HI-TORQUE)	止動環(高扭力)	D75xd42xL25	1.00	EA
16.00	NVA000179919A	SPACER(HI-TORQUE)	間隔圈(高扭力)	D45xd30xL25	1.00	EA
17.00	NV 000049206A	LOCKNUT	鎖緊螺帽	[SHIANG KAIJM30X1.5	1.00	EA
18.00	NVA001011554A	COVER,BALLSCREW(HI-TORQUE)	軸承座蓋(高扭力、標準型共用)	W76xd45.5xL20	1.00	EA
19.00	MS 0103517	SOCKET HEAD CAP SCREW	六角穴圓頭螺絲	M5xP0.8xL16	4.00	EA
20.00	NV 00002660110	BEARING, BALL SCREW SUPPORT	滾珠導桿斜角滾珠軸承	NSK 30TAC62BDFDC10PN7B (3PCS/S	1.00	ST
21.00	NVA001117604A	HOUSING, BEARING(D32)	XYZ軸承座(D32)	L128xW66xH80	1.00	EA

PRODUCT BOM MASTER AND SUB-ITEMS LIST

Item	Part NO.	Description	中文名稱	Specification	Qty	Unit
22.00	MS 0103819	SOCKET HEAD CAP SCREW	六角穴圓頭螺絲	M8xP1.25xL25	6.00	EA
23.00	MW 0183810	SPRING WASHER	彈簧墊圈	M8	6.00	EA
24.00	NV 001011529A	COVER, XYZ-AXIS MOTOR SEAT	XYZ軸馬達座蓋	L128XW148.5XH2.3	1.00	EA
25.00	MW 0183510	SPRING WASHER	彈簧墊圈	M5	4.00	EA
26.00	MS 0103515	SOCKET HEAD CAP SCREW	六角穴圓頭螺絲	M5xP0.8xL10	4.00	EA
27.00	NVA001066128A	Z-AXIS SEAT, MOTOR(HI-TORQUE)	Z軸馬達座(高扭力、標準型共用)	L229.5XW188XH170	1.00	EA
28.00	NVA000691602A	BUMPER(HI-TORQUE)	止動環(高扭力)	D75xd42xL25	1.00	EA
29.00	MS 0103517	SOCKET HEAD CAP SCREW	六角穴圓頭螺絲	M5xP0.8xL16	2.00	EA
30.00	MS 0103517	SOCKET HEAD CAP SCREW	六角穴圓頭螺絲	M5xP0.8xL16	2.00	EA

REV	DESCRIPTION	DATE	ECN
B	12K/15K用 2軸駆動12K/15K用	2004/09/10	TNNV0084
C	12K/15K用 2軸駆動12K/15K用 161822720 001 12K/15K	2009/09/10	TNNV0600



12K/15K-RPM 無配重使用

MODEL: VMC600/800/1000	SCALE: 1:11
PART NAME Z-AXIS TRANSMISSION(12K/15K-RPM, w/o Counter-balance)	REV. C
PART NUMBER NV 000004706AS	DATE 2002/5/30
Z 軸 2 軸 傳 動 12K/15K-RPM, 無 配 重	DESIGNER PHIL
PAGE 1 OF 1	

PRODUCT BOM MASTER AND SUB-ITEMS LIST

Master Item Part NO.: NV 000004706AS

Description: Z-AXIS TRANSMISSION(12K/15K-RP

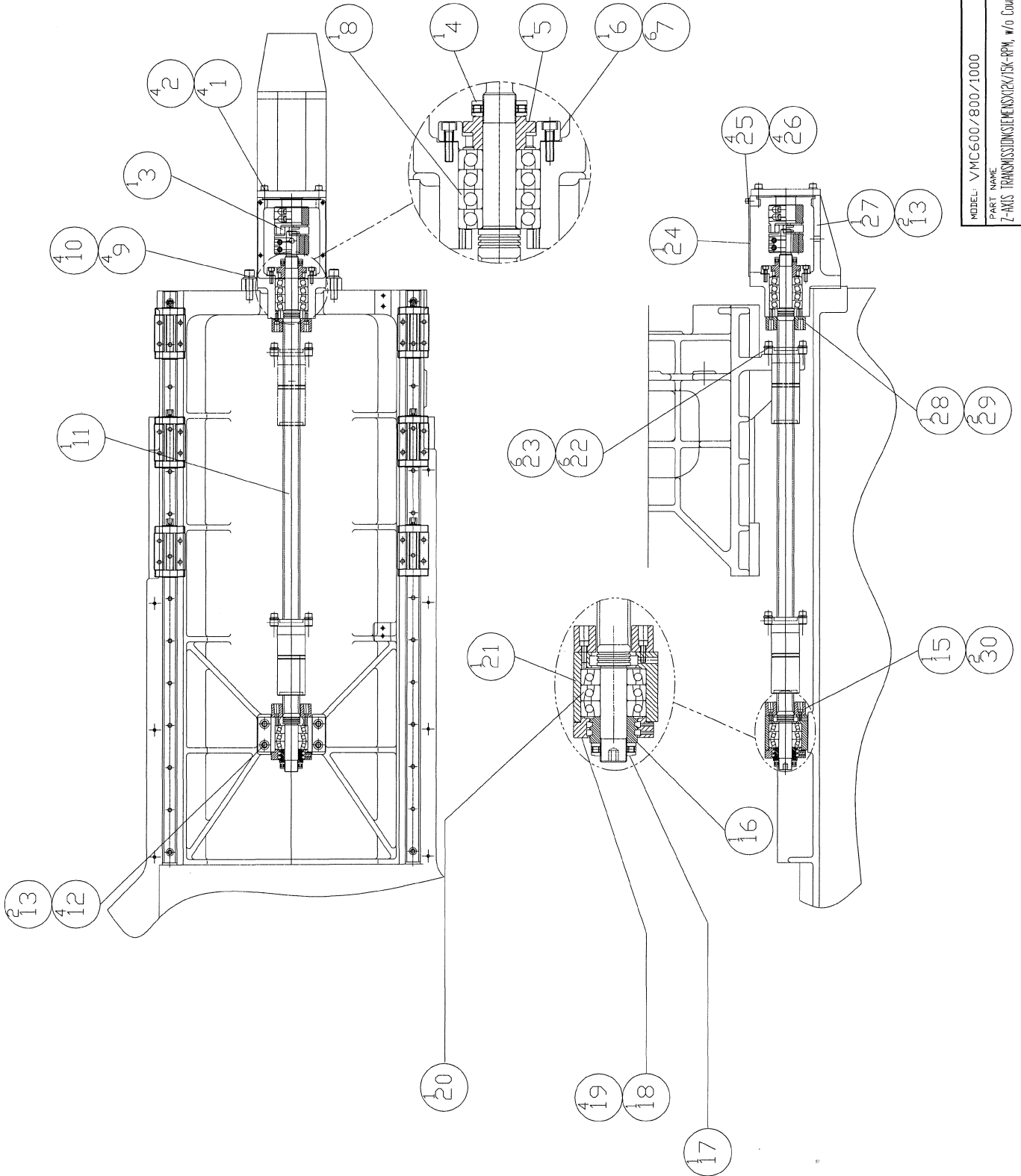
Z 軸傳動(12K/15K-RPM,無配重)

Item	Part NO.	Description	中文名稱	Specification	Qty	Unit
1.00	MS 0103819	SOCKET HEAD CAP SCREW	六角穴圓頭螺絲	M8xP1.25xL25	4.00	EA
2.00	MW 0183810	SPRING WASHER	彈簧墊圈	M8	4.00	EA
3.00	NV 001179204A	COUPLING(Z-AXIS)12K/15K RPM	聯軸器(Z-AXIS)12K/15K RPM	[KTR] GS28/38 98 ShA Spider (b	1.00	EA
4.00	NV 000049206A	LOCKNUT	鎖緊螺帽	[SHIANG KAIJM30X1.5	1.00	EA
5.00	NV 000179920A	SPACER, SUPPORT BRG(HI-TORQUE)	間隔圈(高扭力)	D55xd30xL25	1.00	EA
6.00	NV 001011508A	COVER,BALLSCREW	軸蓋	D92xd51xL21.5	1.00	EA
7.00	MS 0103618	SOCKET HEAD CAP SCREW	六角穴圓頭螺絲	M6xP1.0xL20	6.00	EA
8.00	NV 00002660109	BEARING, BALL SCREW SUPPORT	滾珠導桿斜角滾珠軸承	NSK 30TAC62BDFFC10PN7B (4PCS/S	1.00	ST
9.00	MS 0104223	SOCKET HEAD CAP SCREW	六角穴圓頭螺絲	M12XP1.75XL45	4.00	EA
10.00	MW 0184210	SPRING WASHER	彈簧墊圈	M12	4.00	EA
11.00	NV 000190202A	Y,Z-AXIS BALL SCREW(12K/15K RP	Y,Z軸滾珠導螺桿(12K/15K RPM)(高扭力)	[PMI] R40-10C1-FDVE-739-1023-0	1.00	ST
12.00	MS 0104020	SOCKET HEAD CAP SCREW	六角穴圓頭螺絲	M10xP1.5xL30	4.00	EA
13.00	NV 00032530104	TAPER PIN	斜銷	D8x60L	4.00	EA
15.00	NVA000691602A	BUMPER(HI-TORQUE)	止動環(高扭力)	D75xd42xL25	1.00	EA
16.00	NVA000179919A	SPACER(HI-TORQUE)	間隔圈(高扭力)	D45xd30xL25	1.00	EA
17.00	NV 000049206A	LOCKNUT	鎖緊螺帽	[SHIANG KAIJM30X1.5	1.00	EA
18.00	NVA001011554A	COVER,BALLSCREW(HI-TORQUE)	軸承座蓋(高扭力、標準型共用)	W76xd45.5xL20	1.00	EA
19.00	MS 0103517	SOCKET HEAD CAP SCREW	六角穴圓頭螺絲	M5xP0.8xL16	4.00	EA
20.00	NV 00002660110	BEARING, BALL SCREW SUPPORT	滾珠導桿斜角滾珠軸承	NSK 30TAC62BDFDC10PN7B (3PCS/S	1.00	ST
21.00	NVA001117604A	HOUSING, BEARING(D32)	XYZ軸承座(D32)	L128xW66xH80	1.00	EA

PRODUCT BOM MASTER AND SUB-ITEMS LIST

Item	Part NO.	Description	中文名稱	Specification	Qty	Unit
22.00	MS 0103819	SOCKET HEAD CAP SCREW	六角穴圓頭螺絲	M8xP1.25xL25	6.00	EA
23.00	MW 0183810	SPRING WASHER	彈簧墊圈	M8	6.00	EA
24.00	NV 001011529A	COVER, XYZ-AXIS MOTOR SEAT	XYZ軸馬達座蓋	L128XW148.5XH2.3	1.00	EA
25.00	MW 0183510	SPRING WASHER	彈簧墊圈	M5	4.00	EA
26.00	MS 0103515	SOCKET HEAD CAP SCREW	六角穴圓頭螺絲	M5xP0.8xL10	4.00	EA
27.00	NVA001066157A	Z-AXIS SEAT, MOTOR(12K/15K+ALP	Z軸馬達座(12K/15K+ALPHA 22)	L256.5XW192XH192	1.00	EA
28.00	NVA000691602A	BUMPER(HI-TORQUE)	止動環(高扭力)	D75xø42xL25	1.00	EA
29.00	MS 0103517	SOCKET HEAD CAP SCREW	六角穴圓頭螺絲	M5xP0.8xL16	2.00	EA
30.00	MS 0103517	SOCKET HEAD CAP SCREW	六角穴圓頭螺絲	M5xP0.8xL16	2.00	EA

REV	DESCRIPTION	DATE	ECN
B	12K/15K用 無配重Z軸傳動	2004/29	TNN048
C	12K/15K用 無配重Z軸傳動	2005/08/01	TNV060



12K/15K-RPM無配重使用

MODEL: VMC600/800/1000	PART NUMBER	REV. C
Z-AXIS TRANSMISSIONS(12K/15K-RPM, w/o Counter-balance)	NV 000004706AC	
Z軸傳動(12K/15K-RPM, 無配重)	PAGE 1 OF 1	
DATE: 2002/5/30	SCALE: 1:1	

PRODUCT BOM MASTER AND SUB-ITEMS LIST

Master Item Part NO.: NV 000004706AC

Description: Z-AXIS TRANSMISSION(SIEMENS)(1

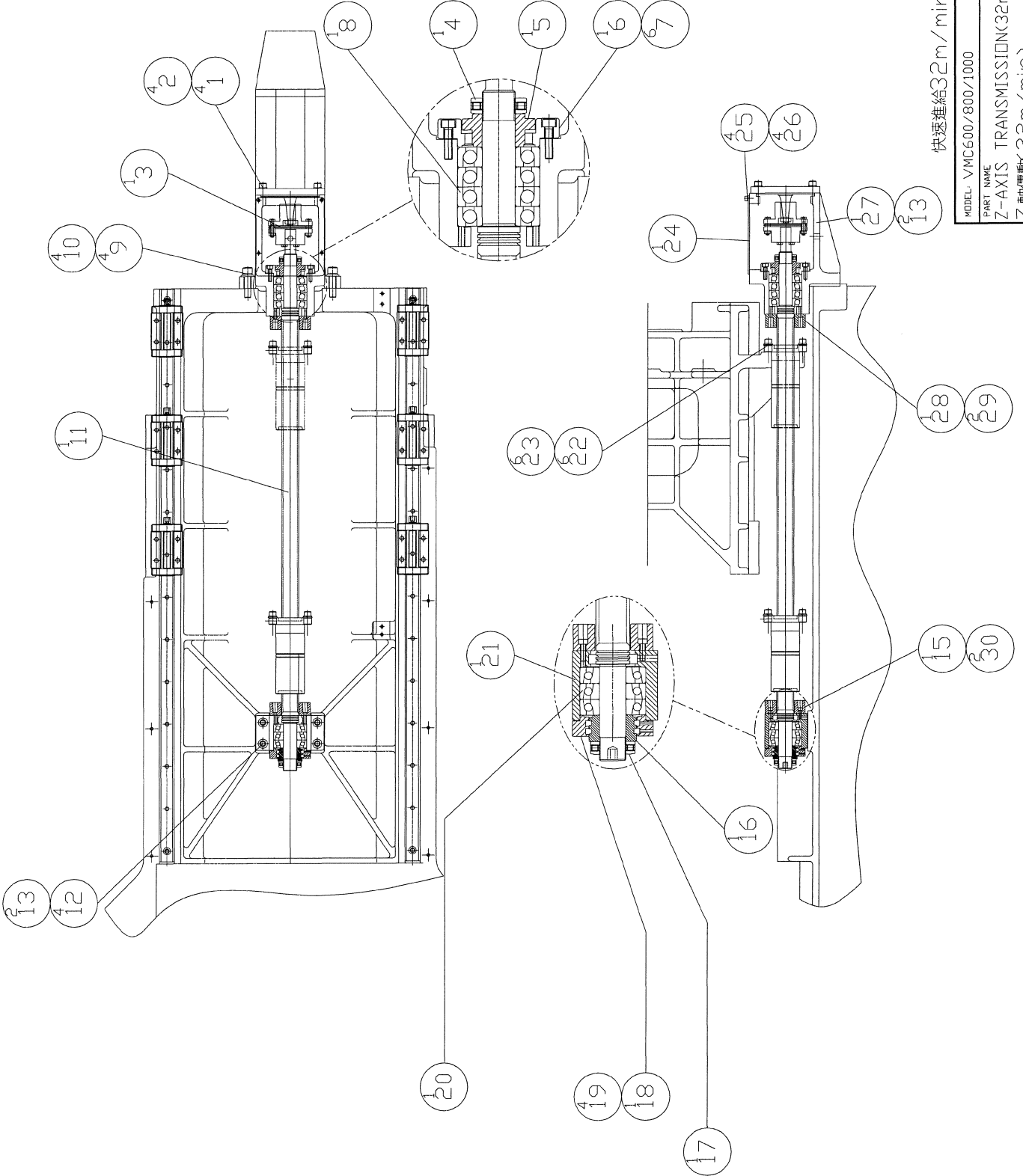
Z 軸傳動(SIEMENS)(12K/15K-RPM,無配重

Item Part NO.	Description	中文名稱	Specification	Qty	Unit
1.00 MS 0103819	SOCKET HEAD CAP SCREW	六角穴圓頭螺絲	M8xP1.25xL25	4.00	EA
2.00 MW 0183810	SPRING WASHER	彈簧墊圈	M8	4.00	EA
3.00 NV 001179205A	COUPLING(Z-AXIS)12K/15K RPM,SI	聯軸器(Z-AXIS)12K/15K RPM,SIEMENS	[KTR] GS28/38 98 Sha Spider (b	1.00	EA
4.00 NV 000049206A	LOCKNUT	鎖緊螺帽	[SHIANG KAIJM30X1.5	1.00	EA
5.00 NV 000179920A	SPACER, SUPPORT BRG(HI-TORQUE)	間隔圈(高扭力)	D55xd30xL25	1.00	EA
6.00 NV 001011508A	COVER,BALLSCREW	軸蓋	D92xd51xL21.5	1.00	EA
7.00 MS 0103618	SOCKET HEAD CAP SCREW	六角穴圓頭螺絲	M6xP1.0xL20	6.00	EA
8.00 NV 00002660109	BEARING, BALL SCREW SUPPORT	滾珠導桿斜角滾珠軸承	NSK 30TAC62BDFFC10PN7B (4PCS/S	1.00	ST
9.00 MS 0104223	SOCKET HEAD CAP SCREW	六角穴圓頭螺絲	M12XP1.75XL45	4.00	EA
10.00 MW 0184210	SPRING WASHER	彈簧墊圈	M12	4.00	EA
11.00 NV 000190202A	Y,Z-AXIS BALL SCREW(12K/15K RP	Y,Z軸滾珠導螺桿(12K/15K RPM)(高扭力)	[PMI] R40-10C1-FDVE-739-1023-0	1.00	ST
12.00 MS 0104020	SOCKET HEAD CAP SCREW	六角穴圓頭螺絲	M10xP1.5xL30	4.00	EA
13.00 NV 00032530104	TAPER PIN	斜銷	D8x60L	4.00	EA
15.00 NVA000691602A	BUMPER(HI-TORQUE)	止動環(高扭力)	D75xd42xL25	1.00	EA
16.00 NVA000179919A	SPACER(HI-TORQUE)	間隔圈(高扭力)	D45xd30xL25	1.00	EA
17.00 NV 000049206A	LOCKNUT	鎖緊螺帽	[SHIANG KAIJM30X1.5	1.00	EA
18.00 NVA001011554A	COVER,BALLSCREW(HI-TORQUE)	軸承座蓋(高扭力、標準型共用)	W76xd45.5xL20	1.00	EA
19.00 MS 0103517	SOCKET HEAD CAP SCREW	六角穴圓頭螺絲	M5xP0.8xL16	4.00	EA
20.00 NV 00002660110	BEARING, BALL SCREW SUPPORT	滾珠導桿斜角滾珠軸承	NSK 30TAC62BDFDC10PN7B (3PCS/S	1.00	ST
21.00 NVA001117604A	HOUSING, BEARING(D32)	XYZ軸承座(D32)	L128xW66xH80	1.00	EA

PRODUCT BOM MASTER AND SUB-ITEMS LIST

Item Part NO.	Description	中文名稱	Specification	Qty	Unit
22.00 MS 0103819	SOCKET HEAD CAP SCREW	六角穴圓頭螺絲	M8xP1.25xL25	6.00	EA
23.00 MW 0183810	SPRING WASHER	彈簧墊圈	M8	6.00	EA
24.00 NV 001011529A	COVER, XYZ-AXIS MOTOR SEAT	XYZ軸馬達座蓋	L128XW148.5XH2.3	1.00	EA
25.00 MW 0183510	SPRING WASHER	彈簧墊圈	M5	4.00	EA
26.00 MS 0103515	SOCKET HEAD CAP SCREW	六角穴圓頭螺絲	M5xP0.8xL10	4.00	EA
27.00 NVA001066158A	Z-AXIS SEAT, MOTOR(12K/15K+FK6	Z軸馬達座(12K/15K+FK6101)	L256.5XW192XH192	1.00	EA
28.00 NVA000691602A	BUMPER(HI-TORQUE)	止動環(高扭力)	D75xG42xL25	1.00	EA
29.00 MS 0103517	SOCKET HEAD CAP SCREW	六角穴圓頭螺絲	M5xP0.8xL16	2.00	EA
30.00 MS 0103517	SOCKET HEAD CAP SCREW	六角穴圓頭螺絲	M5xP0.8xL16	2.00	EA

REV	DESCRIPTION	DATE	ECN
A	第一次修訂	2006/02/11	INV0657



快速進給32m/min

MODEL: VMC600/800/1000	PART NUMBER
PART NAME	NV 000004714A
Z-AXIS TRANSMISSION(32m/min)	PAGE 1 OF 1
Z軸傳動(32m/min)	REV. A
DATE: 2006/3/21	SCALE: 1:1
DESIGNER: PHL	

PRODUCT BOM MASTER AND SUB-ITEMS LIST

Master Item Part NO.: NV 000004714A

Description: Z-AXIS TRANSMISSION(32m/min)

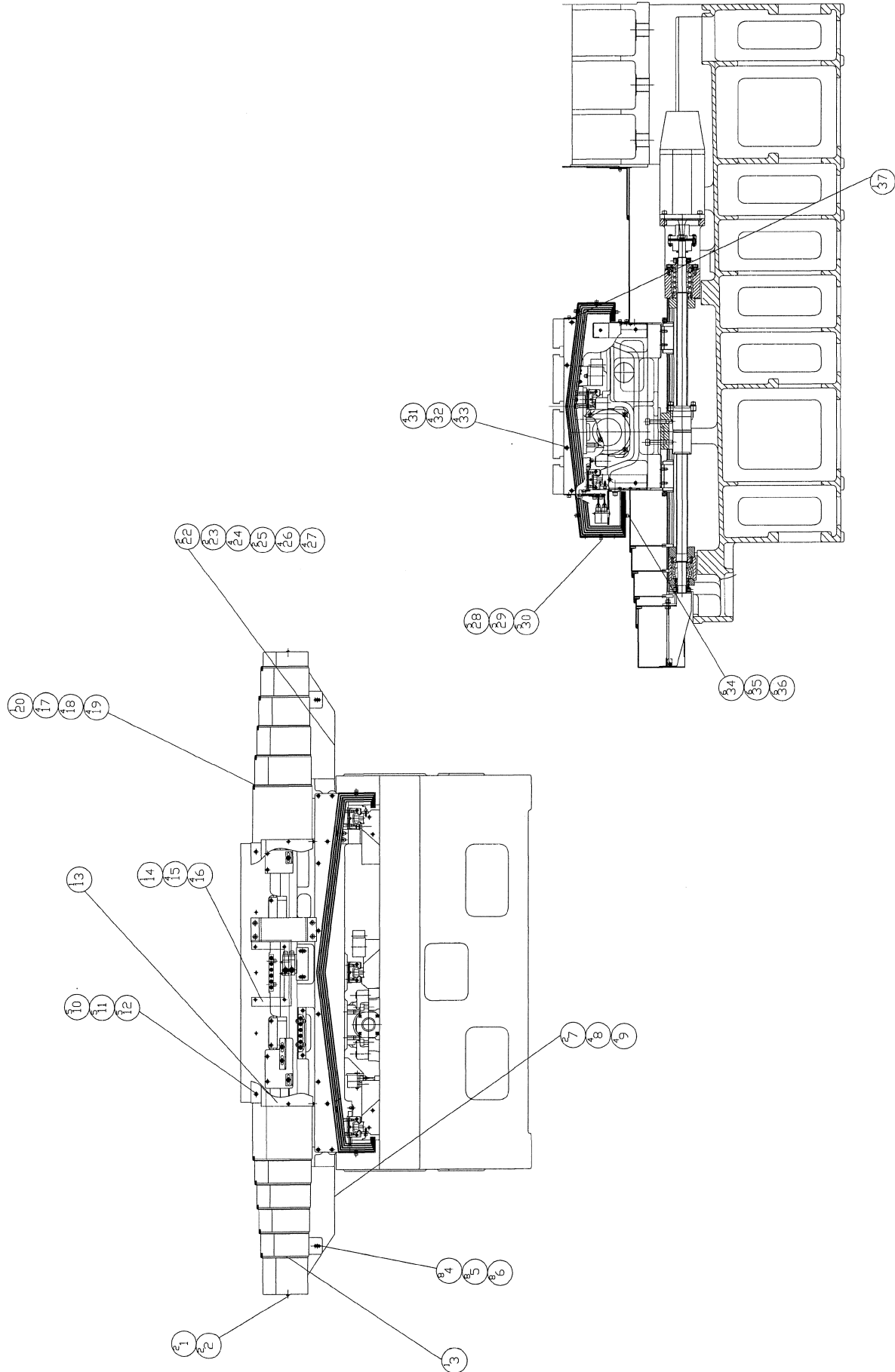
Z 軸傳動(32m/min)

Item	Part NO.	Description	中文名稱	Specification	Qty	Unit
1.00	MS 0103819	SOCKET HEAD CAP SCREW	六角穴圓頭螺絲	M8xP1.25xL25	4.00	EA
2.00	MW 0183810	SPRING WASHER	彈簧墊圈	M8	4.00	EA
3.00	NV 001179200A	COUPLING	聯軸器	D81xd16xL81	1.00	EA
4.00	NV 000049202A	LOCKNUT	鎖緊螺帽	[SHIANG KAI]M25x1.5	1.00	EA
5.00	NV 000179903A	SPACER, SUPPORT BRG	間隔圈	D55xd25xL25	1.00	EA
6.00	NV 001011508A	COVER,BALLSCREW	軸蓋	D92xd51xL21.5	1.00	EA
7.00	MS 0103618	SOCKET HEAD CAP SCREW	六角穴圓頭螺絲	M6xP1.0xL20	6.00	EA
8.00	NV 00002660102	BEARING, BALL SCREW SUPPORT	滾珠導桿斜角滾珠軸承	NSK 25TAC62BDFFC10PN7B (4PCS/S)	1.00	ST
9.00	MS 0104223	SOCKET HEAD CAP SCREW	六角穴圓頭螺絲	M12XP1.75XL45	4.00	EA
10.00	MW 0184210	SPRING WASHER	彈簧墊圈	M12	4.00	EA
11.00	NV 000190216A	BALL SCREW, Y,Z-AXIS	Y,Z軸滾珠導螺桿(32m/min)	[PMI]R32-12C1-FDVE-739-1023-C3	1.00	ST
12.00	MS 0104020	SOCKET HEAD CAP SCREW	六角穴圓頭螺絲	M10xP1.5xL30	4.00	EA
13.00	NV 00032530104	TAPER PIN	斜銷	D8x60L	4.00	EA
15.00	NVA000691600A	BUMPER	止動環	D75xd34xL25	1.00	EA
16.00	NVB000179902A	SPACER	間隔圈	D45xd25xL25	1.00	EA
17.00	NV 000049202A	LOCKNUT	鎖緊螺帽	[SHIANG KAI]M25x1.5	1.00	EA
18.00	NVA001011554A	COVER,BALLSCREW(HI-TORQUE)	軸承座蓋(高扭力、標準型共用)	W76xd45.5xL20	1.00	EA
19.00	MS 0103517	SOCKET HEAD CAP SCREW	六角穴圓頭螺絲	M5xP0.8xL16	4.00	EA
20.00	NV 00002660103	BEARING, BALL SCREW SUPPORT	滾珠導桿斜角滾珠軸承	NSK 25TAC62BDFFC10PN7B (3PCS/S)	1.00	ST
21.00	NVA001117604A	HOUSING, BEARING(D32)	XYZ軸承座(D32)	L128xW66xH80	1.00	EA

PRODUCT BOM MASTER AND SUB-ITEMS LIST

Item	Part NO.	Description	中文名稱	Specification	Qty	Unit
22.00	MS 0103819	SOCKET HEAD CAP SCREW	六角穴圓頭螺絲	M8xP1.25xL25	6.00	EA
23.00	MW 0183810	SPRING WASHER	彈簧墊圈	M8	6.00	EA
24.00	NV 001011529A	COVER, XYZ-AXIS MOTOR SEAT	XYZ軸馬達座蓋	L128XW148.5XH2.3	1.00	EA
25.00	MW 0183510	SPRING WASHER	彈簧墊圈	M5	4.00	EA
26.00	MS 0103515	SOCKET HEAD CAP SCREW	六角穴圓頭螺絲	M5xP0.8xL10	4.00	EA
27.00	NVA001066128A	Z-AXIS SEAT, MOTOR(HI-TORQUE)	Z軸馬達座(高扭力、標準型共用)	L229.5XW188XH170	1.00	EA
28.00	NVA000691600A	BUMPER	止動環	D75xd34xL25	1.00	EA
29.00	MS 0103517	SOCKET HEAD CAP SCREW	六角穴圓頭螺絲	M5xP0.8xL16	2.00	EA
30.00	MS 0103517	SOCKET HEAD CAP SCREW	六角穴圓頭螺絲	M5xP0.8xL16	2.00	EA

REV	DESCRIPTION	DATE	ECN
B	圖名加註S.T.A.R.註記	2002/2/11	INV081



MODEL: VMC600	PART NUMBER	SCALE 1:17
PART NAME	NV 000004605A	REV. B
X-AXIS TELESCOPIC<STAR>	PAGE 1 OF 1	
X 軸伸縮護蓋<STAR>		
DATE 1999/5/11		

PRODUCT BOM MASTER AND SUB-ITEMS LIST

Master Item Part NO.: NV 000004605A

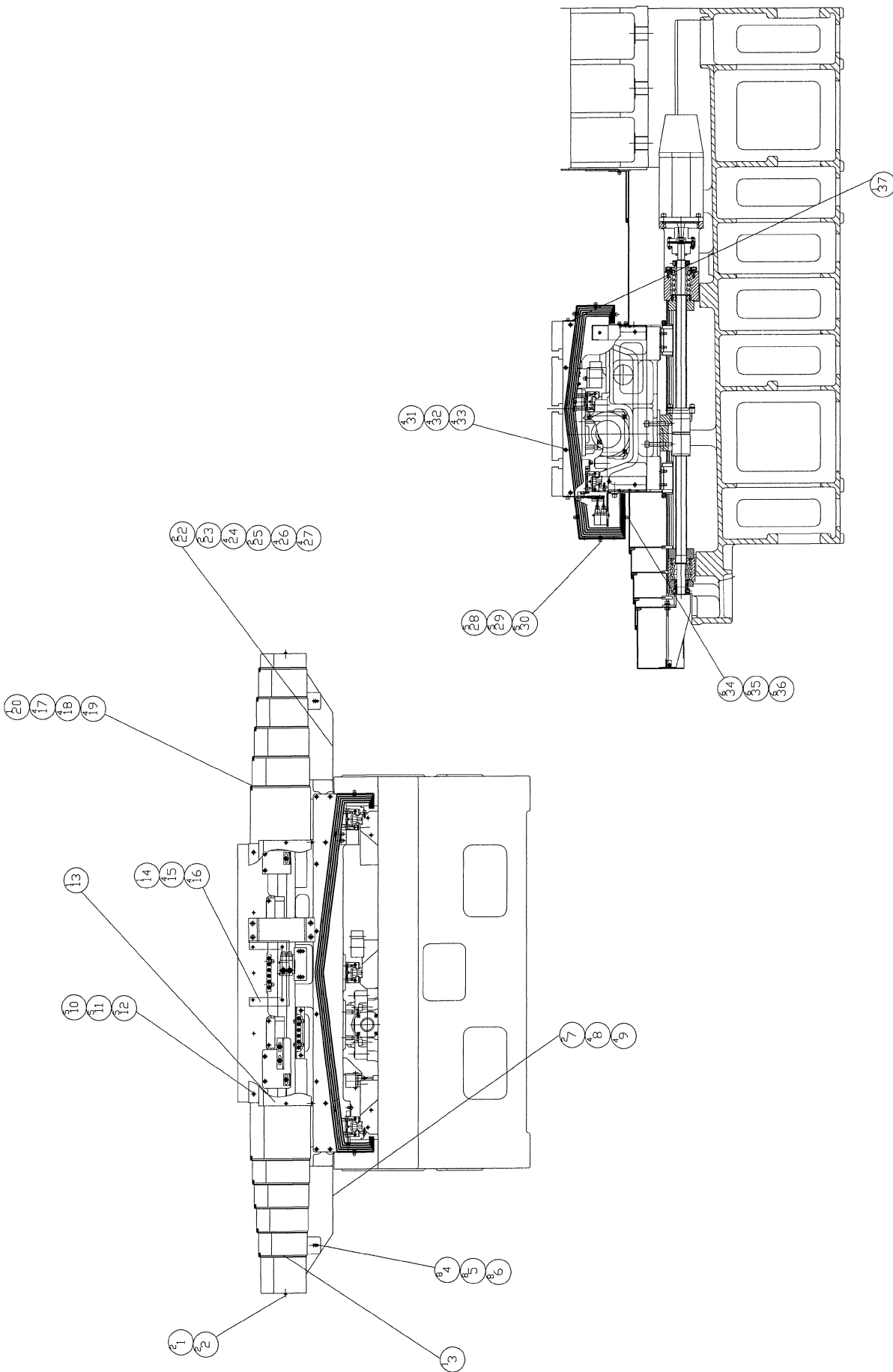
 Description: X-AXIS TELESCOPIC(STAR)
 X軸伸縮護蓋(STAR)

Item	Part NO.	Description	中文名稱	Specification	Qty	Unit
1.00	MW 0183510	SPRING WASHER	彈簧墊圈	M5	2.00	EA
2.00	MS 0103515	SOCKET HEAD CAP SCREW	六角穴圓頭螺絲	M5xP0.8xL10	2.00	EA
3.01	NV 001011503A	WAYCOVER, X-AXIS LEFT	X軸左伸縮護蓋	L855xW679xH208	1.00	ST
4.00	MS 0103517	SOCKET HEAD CAP SCREW	六角穴圓頭螺絲	M5xP0.8xL16	8.00	EA
5.00	MW 0103510	FLAT WASHER	平墊圈	M5	8.00	EA
6.00	MW 0183510	SPRING WASHER	彈簧墊圈	M5	8.00	EA
7.01	NV 000299004A	SUPPORT, X-WAYCOVER	支撐架	L486xW366xH144.5	2.00	EA
8.00	MS 0103617	SOCKET HEAD CAP SCREW	六角穴圓頭螺絲	M6xP1.0xL16	4.00	EA
9.00	MW 0183610	SPRING WASHER	彈簧墊圈	M6	4.00	EA
10.00	MS 0103617	SOCKET HEAD CAP SCREW	六角穴圓頭螺絲	M6xP1.0xL16	5.00	EA
11.00	MW 0103610	FLAT WASHER	平墊圈	M6(d6*D19*H2)	5.00	EA
12.00	MW 0183610	SPRING WASHER	彈簧墊圈	M6	5.00	EA
13.00	NV 001011513A	COVER, X-AXIS FRONT	X軸前蓋板	L774xW133.5xH180	1.00	EA
14.00	NV 001011512A	COVER	蓋板	L170xW40xH110.5	1.00	EA
15.00	MS 0103515	SOCKET HEAD CAP SCREW	六角穴圓頭螺絲	M5xP0.8xL10	4.00	EA
16.00	MW 0183510	SPRING WASHER	彈簧墊圈	M5	4.00	EA
17.00	MS 0103617	SOCKET HEAD CAP SCREW	六角穴圓頭螺絲	M6xP1.0xL16	4.00	EA
18.00	MW 0103610	FLAT WASHER	平墊圈	M6(d6*D19*H2)	4.00	EA
19.00	MW 0183610	SPRING WASHER	彈簧墊圈	M6	4.00	EA
20.01	NV 001011502A	WAYCOVER, X-AXIS RIGHT	X軸右伸縮護蓋	L855xW679xH208	1.00	ST

PRODUCT BOM MASTER AND SUB-ITEMS LIST

Item	Part NO.	Description	中文名稱	Specification	Qty	Unit
22.00	MS 0103517	SOCKET HEAD CAP SCREW	六角穴圓頭螺絲	M5xP0.8xL16	2.00	EA
23.00	MW 0103510	FLAT WASHER	平墊圈	M5	2.00	EA
24.00	MW 0183510	SPRING WASHER	彈簧墊圈	M5	4.00	EA
25.00	MS 0103515	SOCKET HEAD CAP SCREW	六角穴圓頭螺絲	M5xP0.8xL10	2.00	EA
26.00	MS 0103617	SOCKET HEAD CAP SCREW	六角穴圓頭螺絲	M6xP1.0xL16	4.00	EA
27.00	MW 0183610	SPRING WASHER	彈簧墊圈	M6	4.00	EA
28.00	MS 0103617	SOCKET HEAD CAP SCREW	六角穴圓頭螺絲	M6xP1.0xL16	5.00	EA
29.00	MW 0103610	FLAT WASHER	平墊圈	M6(d6*D19*H2)	5.00	EA
30.00	MW 0183610	SPRING WASHER	彈簧墊圈	M6	5.00	EA
31.00	MS 0103617	SOCKET HEAD CAP SCREW	六角穴圓頭螺絲	M6xP1.0xL16	4.00	EA
32.00	MW 0103610	FLAT WASHER	平墊圈	M6(d6*D19*H2)	4.00	EA
33.00	MW 0183610	SPRING WASHER	彈簧墊圈	M6	4.00	EA
34.00	MS 0103517	SOCKET HEAD CAP SCREW	六角穴圓頭螺絲	M5xP0.8xL16	6.00	EA
35.00	MW 0103510	FLAT WASHER	平墊圈	M5	6.00	EA
36.00	MW 0183510	SPRING WASHER	彈簧墊圈	M5	6.00	EA
37.00	NV 001011514A	COVER, X-AXIS REAR	X軸後蓋板	L774xW53.5xH151.5	1.00	EA

REV	DESCRIPTION	DATE	EDN.
B	星野望遠鏡	2003/2/13	11100081



MODEL: VMC800	SCALE: 1:17
PART NUMBER NV 000004605B	
X-AXIS TELESCOPIC<STAR>	
X-軸伸縮望遠鏡<STAR>	
DATE: 1999/5/11	REV: B
PAGE: 1	OF: 1

PRODUCT BOM MASTER AND SUB-ITEMS LIST

Master Item Part NO.: NV 000004605B

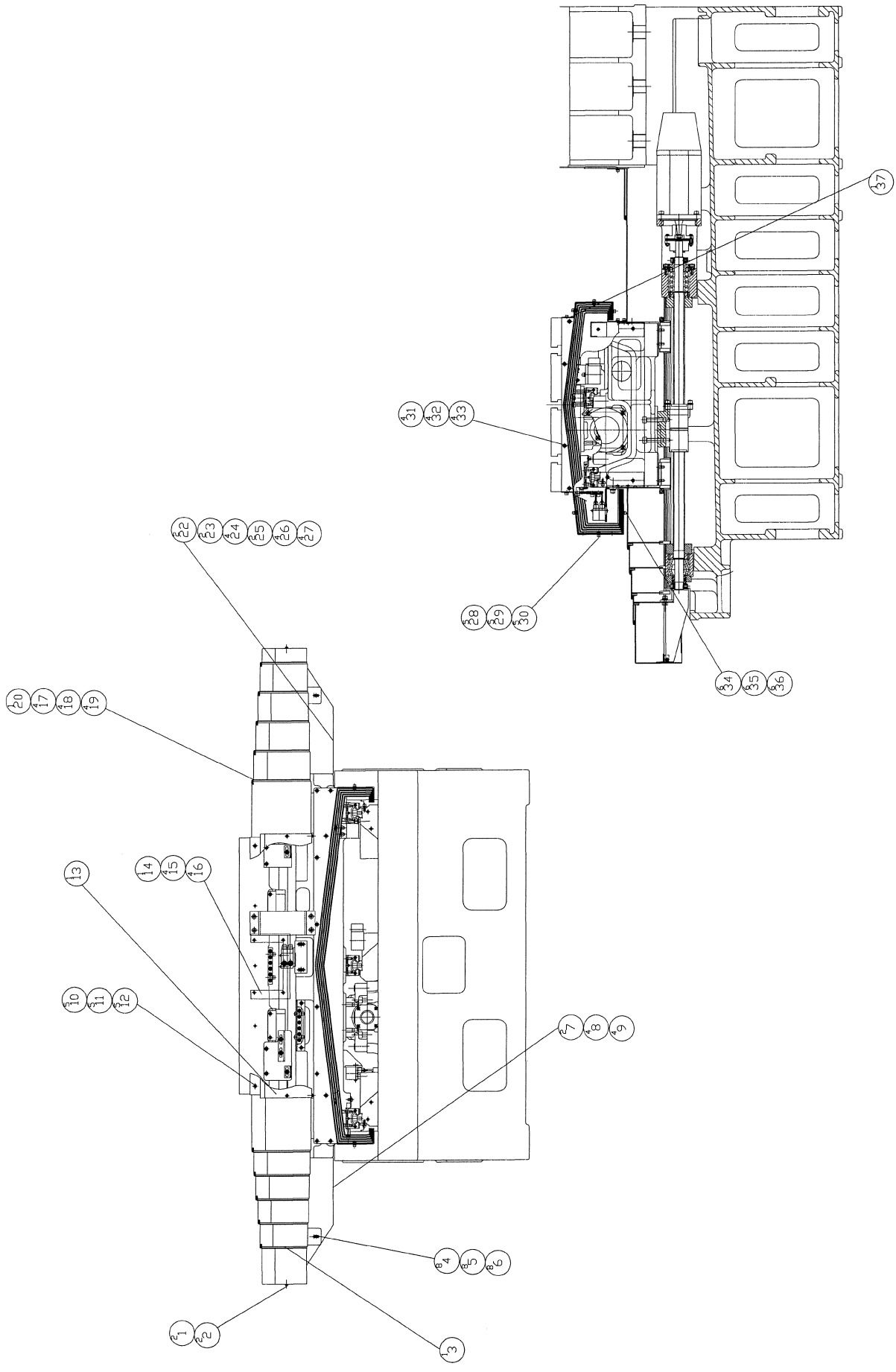
 Description: X-AXISTELESCOPI(C(STAR)
X軸伸縮護蓋(STAR)

Item	Part NO.	Description	中文名稱	Specification	Qty	Unit
1.00	MW 0183510	SPRING WASHER	彈簧墊圈	M5	2.00	EA
2.00	MS 0103515	SOCKET HEAD CAP SCREW	六角穴圓頭螺絲	M5xP0.8xL10	2.00	EA
3.01	NV 001011501B	WAYCOVER, X-AXIS LEFT	X軸左伸縮護蓋	L1095xW679xH208	1.00	ST
4.00	MS 0103517	SOCKET HEAD CAP SCREW	六角穴圓頭螺絲	M5xP0.8xL16	8.00	EA
5.00	MW 0103510	FLAT WASHER	平墊圈	M5	8.00	EA
6.00	MW 0183510	SPRING WASHER	彈簧墊圈	M5	8.00	EA
7.01	NV 000299004B	SUPPORT, X-WAYCOVER	支撐架	L486xW456xH144.5	2.00	EA
8.00	MS 0103617	SOCKET HEAD CAP SCREW	六角穴圓頭螺絲	M6xP1.0xL16	4.00	EA
9.00	MW 0183610	SPRING WASHER	彈簧墊圈	M6	4.00	EA
10.00	MS 0103617	SOCKET HEAD CAP SCREW	六角穴圓頭螺絲	M6xP1.0xL16	5.00	EA
11.00	MW 0103610	FLAT WASHER	平墊圈	M6(d6*D19*H2)	5.00	EA
12.00	MW 0183610	SPRING WASHER	彈簧墊圈	M6	5.00	EA
13.00	NV 001011513B	COVER, X-AXIS FRONT	X軸前蓋板	L949xW133.5xH180	1.00	EA
14.00	NV 001011512A	COVER	蓋板	L170xW40xH110.5	1.00	EA
15.00	MS 0103515	SOCKET HEAD CAP SCREW	六角穴圓頭螺絲	M5xP0.8xL10	4.00	EA
16.00	MW 0183510	SPRING WASHER	彈簧墊圈	M5	4.00	EA
17.00	MS 0103617	SOCKET HEAD CAP SCREW	六角穴圓頭螺絲	M6xP1.0xL16	4.00	EA
18.00	MW 0103610	FLAT WASHER	平墊圈	M6(d6*D19*H2)	4.00	EA
19.00	MW 0183610	SPRING WASHER	彈簧墊圈	M6	4.00	EA
20.01	NV 001011500B	WAYCOVER, X-AXIS RIGHT	X軸右伸縮護蓋	L1095xW679xH208	1.00	ST

PRODUCT BOM MASTER AND SUB-ITEMS LIST

Item	Part NO.	Description	中文名稱	Specification	Qty	Unit
22.00	MS 0103517	SOCKET HEAD CAP SCREW	六角穴圓頭螺絲	M5xP0.8xL16	2.00	EA
23.00	MW 0103510	FLAT WASHER	平墊圈	M5	2.00	EA
24.00	MW 0183510	SPRING WASHER	彈簧墊圈	M5	4.00	EA
25.00	MS 0103515	SOCKET HEAD CAP SCREW	六角穴圓頭螺絲	M5xP0.8xL10	2.00	EA
26.00	MS 0103617	SOCKET HEAD CAP SCREW	六角穴圓頭螺絲	M6xP1.0xL16	4.00	EA
27.00	MW 0183610	SPRING WASHER	彈簧墊圈	M6	4.00	EA
28.00	MS 0103617	SOCKET HEAD CAP SCREW	六角穴圓頭螺絲	M6xP1.0xL16	5.00	EA
29.00	MW 0103610	FLAT WASHER	平墊圈	M6(d6*D19*H2)	5.00	EA
30.00	MW 0183610	SPRING WASHER	彈簧墊圈	M6	5.00	EA
31.00	MS 0103617	SOCKET HEAD CAP SCREW	六角穴圓頭螺絲	M6xP1.0xL16	4.00	EA
32.00	MW 0103610	FLAT WASHER	平墊圈	M6(d6*D19*H2)	4.00	EA
33.00	MW 0183610	SPRING WASHER	彈簧墊圈	M6	4.00	EA
34.00	MS 0103517	SOCKET HEAD CAP SCREW	六角穴圓頭螺絲	M5xP0.8xL16	6.00	EA
35.00	MW 0103510	FLAT WASHER	平墊圈	M5	6.00	EA
36.00	MW 0183510	SPRING WASHER	彈簧墊圈	M5	6.00	EA
37.00	NV 001011514B	COVER, X-AXIS REAR	X軸後蓋板	L949xW53.5xH151.5	1.00	EA

REV	DESCRIPTION	DATE	ECN
B	圖名力理S T A R 註記	2003/2/13	INV0381



MODEL: VMC1000	PART NUMBER
PART NAME	NV 000004605C
X-AXIS TELESCOPIC(STAR)	PAGE 1 OF 1
X軸伸縮望遠鏡(STAR)	REV. B
DATE: 1999/5/11	SCALE: 1:1.7

PRODUCT BOM MASTER AND SUB-ITEMS LIST

Master Item Part NO.: NV 000004605C

Description: X-AXIS TELESCOPIC(STAR)

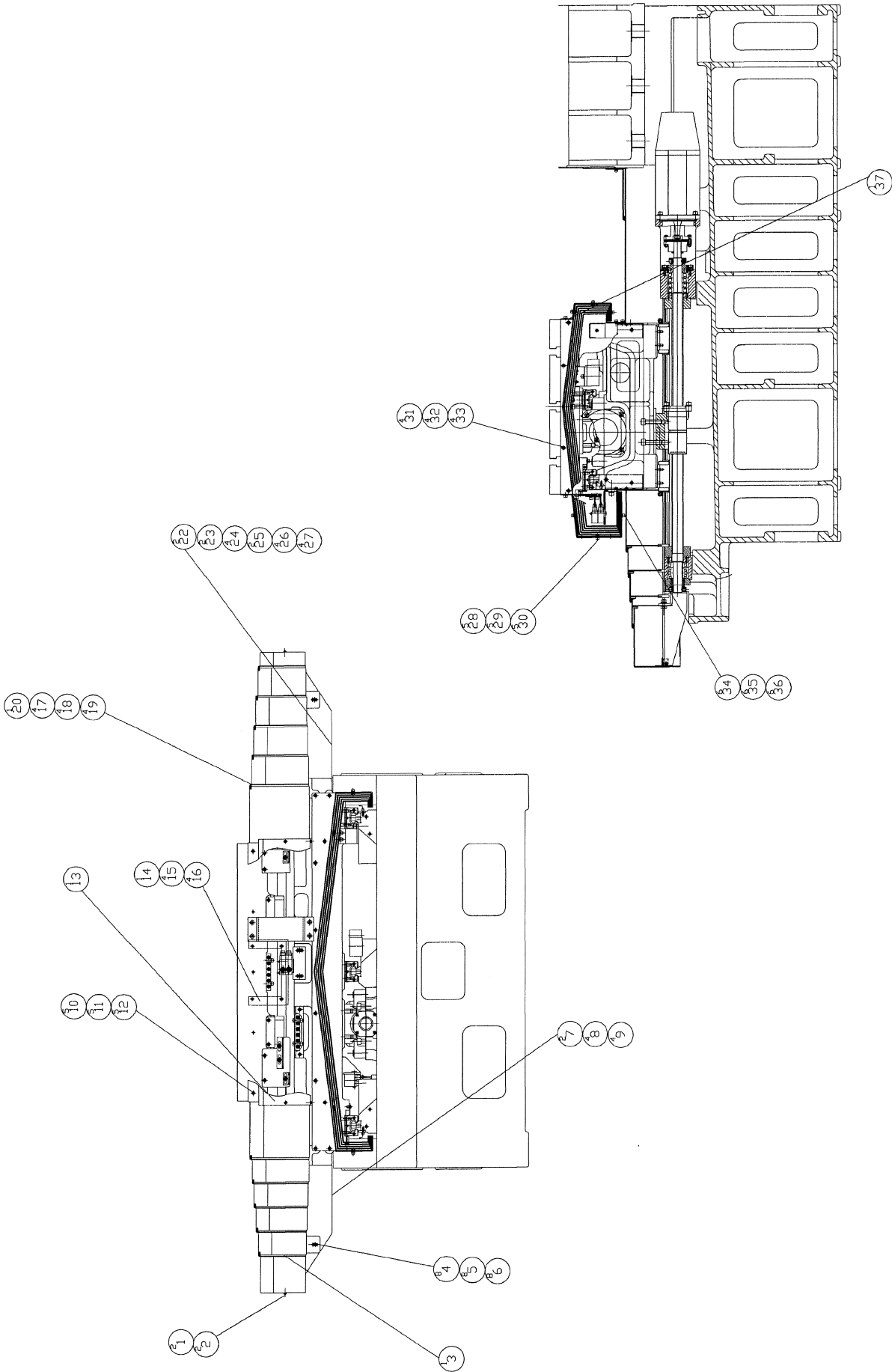
X軸伸縮護蓋(STAR)

Item	Part NO.	Description	中文名稱	Specification	Qty	Unit
1.00	MW 0183510	SPRING WASHER	彈簧墊圈	M5	2.00	EA
2.00	MS 0103515	SOCKET HEAD CAP SCREW	六角穴圓頭螺絲	M5xP0.8xL10	2.00	EA
3.01	NV 001011501C	WAYCOVER, X-AXIS LEFT	X軸左伸縮護蓋	L1359xW679xH208	1.00	ST
4.00	MS 0103517	SOCKET HEAD CAP SCREW	六角穴圓頭螺絲	M5xP0.8xL16	8.00	EA
5.00	MW 0103510	FLAT WASHER	平墊圈	M5	8.00	EA
6.00	MW 0183510	SPRING WASHER	彈簧墊圈	M5	8.00	EA
7.01	NV 000299004C	SUPPORT, X-WAYCOVER	支撐架	L486xW520xH144.5	2.00	EA
8.00	MS 0103617	SOCKET HEAD CAP SCREW	六角穴圓頭螺絲	M6xP1.0xL16	4.00	EA
9.00	MW 0183610	SPRING WASHER	彈簧墊圈	M6	4.00	EA
10.00	MS 0103617	SOCKET HEAD CAP SCREW	六角穴圓頭螺絲	M6xP1.0xL16	5.00	EA
11.00	MW 0103610	FLAT WASHER	平墊圈	M6(d6*D19*H2)	5.00	EA
12.00	MW 0183610	SPRING WASHER	彈簧墊圈	M6	5.00	EA
13.00	NV 001011513C	COVER, X-AXIS FRONT	X軸前蓋板	L1144x133.5x180	1.00	EA
14.00	NV 001011512A	COVER	蓋板	L170xW40xH110.5	1.00	EA
15.00	MS 0103515	SOCKET HEAD CAP SCREW	六角穴圓頭螺絲	M5xP0.8xL10	4.00	EA
16.00	MW 0183510	SPRING WASHER	彈簧墊圈	M5	4.00	EA
17.00	MS 0103617	SOCKET HEAD CAP SCREW	六角穴圓頭螺絲	M6xP1.0xL16	4.00	EA
18.00	MW 0103610	FLAT WASHER	平墊圈	M6(d6*D19*H2)	4.00	EA
19.00	MW 0183610	SPRING WASHER	彈簧墊圈	M6	4.00	EA
20.01	NV 001011500C	WAYCOVER, X-AXIS RIGHT	X軸右伸縮護蓋	L1359xW679xH208	1.00	EA

PRODUCT BOM MASTER AND SUB-ITEMS LIST

Item	Part NO.	Description	中文名稱	Specification	Qty	Unit
22.00	MS 0103517	SOCKET HEAD CAP SCREW	六角穴圓頭螺絲	M5xP0.8xL16	2.00	EA
23.00	MW 0103510	FLAT WASHER	平墊圈	M5	2.00	EA
24.00	MW 0183510	SPRING WASHER	彈簧墊圈	M5	4.00	EA
25.00	MS 0103515	SOCKET HEAD CAP SCREW	六角穴圓頭螺絲	M5xP0.8xL10	2.00	EA
26.00	MS 0103617	SOCKET HEAD CAP SCREW	六角穴圓頭螺絲	M6xP1.0xL16	4.00	EA
27.00	MW 0183610	SPRING WASHER	彈簧墊圈	M6	4.00	EA
28.00	MS 0103617	SOCKET HEAD CAP SCREW	六角穴圓頭螺絲	M6xP1.0xL16	5.00	EA
29.00	MW 0103610	FLAT WASHER	平墊圈	M6(d6*D19*H2)	5.00	EA
30.00	MW 0183610	SPRING WASHER	彈簧墊圈	M6	5.00	EA
31.00	MS 0103617	SOCKET HEAD CAP SCREW	六角穴圓頭螺絲	M6xP1.0xL16	4.00	EA
32.00	MW 0103610	FLAT WASHER	平墊圈	M6(d6*D19*H2)	4.00	EA
33.00	MW 0183610	SPRING WASHER	彈簧墊圈	M6	4.00	EA
34.00	MS 0103517	SOCKET HEAD CAP SCREW	六角穴圓頭螺絲	M5xP0.8xL16	6.00	EA
35.00	MW 0103510	FLAT WASHER	平墊圈	M5	6.00	EA
36.00	MW 0183510	SPRING WASHER	彈簧墊圈	M5	6.00	EA
37.00	NV 001011514C	COVER, X-AXIS REAR	X軸後蓋板	L1144xW53.5x151.5	1.00	EA

REV	DESCRIPTION	DATE	ENR
A	SK 望远镜	2002/12/13	YVW081



MODEL: VMC600	PART NUMBER
PART NAME	NV 000004618A
X-AXIS TELESCOPIC(NSK)	PAGE 1 OF 1
X 単体/本体部品表<NSK>	REV. A
DATE 1999/5/11	SCALE 1:17

PRODUCT BOM MASTER AND SUB-ITEMS LIST

Master Item Part NO.: NV 000004618A

Description: X-AXIS TELESCOPI(NSK)

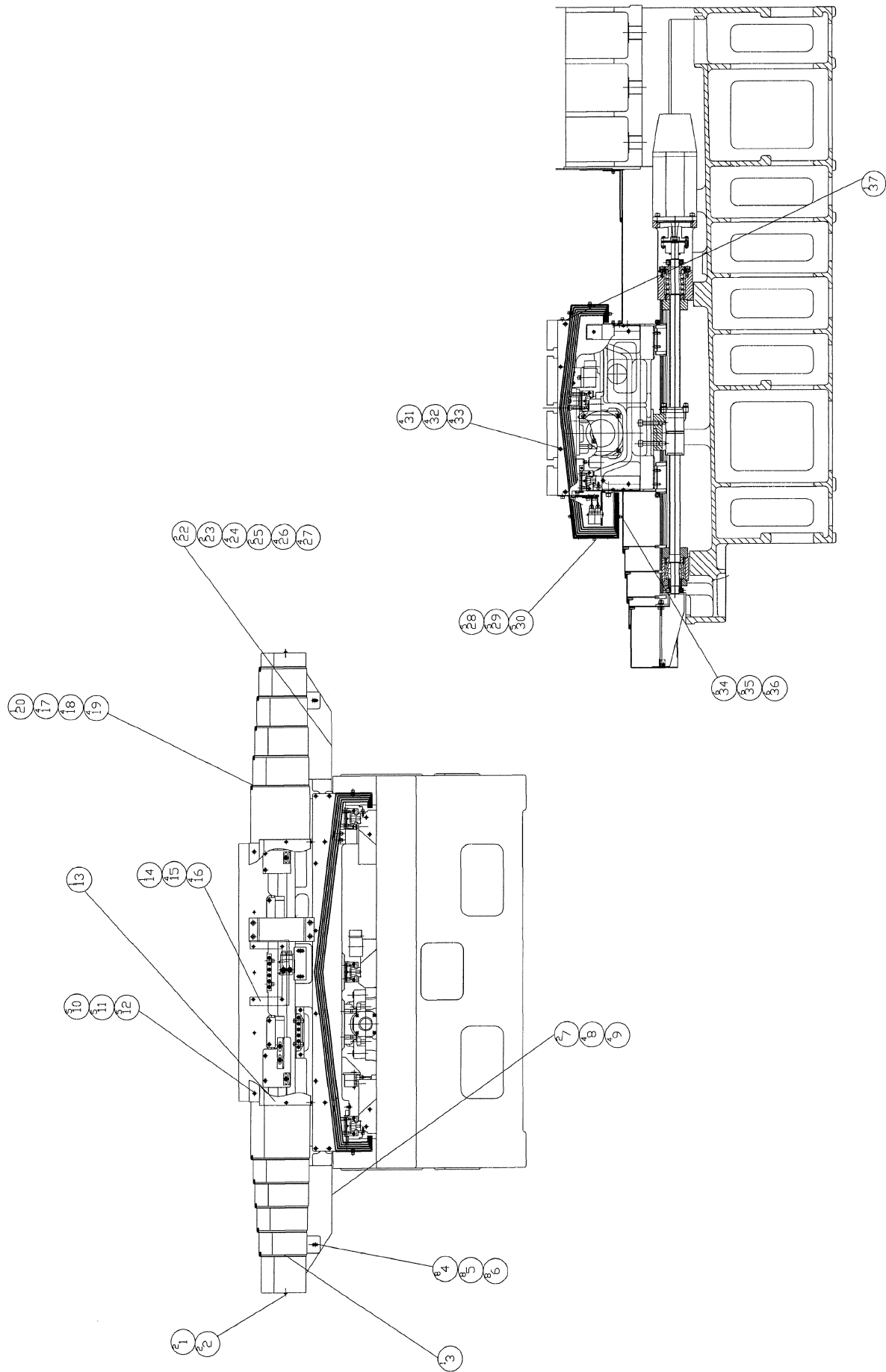
X軸伸縮護蓋(NSK)

Item	Part NO.	Description	中文名稱	Specification	Qty	Unit
1.00	MW 0183510	SPRING WASHER	彈簧墊圈	M5	2.00	EA
2.00	MS 0103515	SOCKET HEAD CAP SCREW	六角穴圓頭螺絲	M5xP0.8xL10	2.00	EA
3.01	NV 001011503A	WAYCOVER, X-AXIS LEFT	X軸左伸縮護蓋	L855xW679xH208	1.00	ST
4.00	MS 0103517	SOCKET HEAD CAP SCREW	六角穴圓頭螺絲	M5xP0.8xL16	8.00	EA
5.00	MW 0103510	FLAT WASHER	平墊圈	M5	8.00	EA
6.00	MW 0183510	SPRING WASHER	彈簧墊圈	M5	8.00	EA
7.01	NV 000399042A	SUPPORT, X-WAYCOVER(STANDARD,N	支撐架(標準型, 配合NSK線軌用)	L486xW366xH142	2.00	EA
8.00	MS 0103617	SOCKET HEAD CAP SCREW	六角穴圓頭螺絲	M6xP1.0xL16	4.00	EA
9.00	MW 0183610	SPRING WASHER	彈簧墊圈	M6	4.00	EA
10.00	MS 0103617	SOCKET HEAD CAP SCREW	六角穴圓頭螺絲	M6xP1.0xL16	5.00	EA
11.00	MW 0103610	FLAT WASHER	平墊圈	M6(d6*D19*H2)	5.00	EA
12.00	MW 0183610	SPRING WASHER	彈簧墊圈	M6	5.00	EA
13.00	NV 001011513A	COVER, X-AXIS FRONT	X軸前蓋板	L774xW133.5xH180	1.00	EA
14.00	NV 001011512A	COVER	蓋板	L170xW40xH110.5	1.00	EA
15.00	MS 0103515	SOCKET HEAD CAP SCREW	六角穴圓頭螺絲	M5xP0.8xL10	4.00	EA
16.00	MW 0183510	SPRING WASHER	彈簧墊圈	M5	4.00	EA
17.00	MS 0103617	SOCKET HEAD CAP SCREW	六角穴圓頭螺絲	M6xP1.0xL16	4.00	EA
18.00	MW 0103610	FLAT WASHER	平墊圈	M6(d6*D19*H2)	4.00	EA
19.00	MW 0183610	SPRING WASHER	彈簧墊圈	M6	4.00	EA
20.01	NV 001011502A	WAYCOVER, X-AXIS RIGHT	X軸右伸縮護蓋	L855xW679xH208	1.00	ST

PRODUCT BOM MASTER AND SUB-ITEMS LIST

Item	Part NO.	Description	中文名稱	Specification	Qty	Unit
22.00	MS 0103517	SOCKET HEAD CAP SCREW	六角穴圓頭螺絲	M5xP0.8xL16	2.00	EA
23.00	MW 0103510	FLAT WASHER	平墊圈	M5	2.00	EA
24.00	MW 0183510	SPRING WASHER	彈簧墊圈	M5	4.00	EA
25.00	MS 0103515	SOCKET HEAD CAP SCREW	六角穴圓頭螺絲	M5xP0.8xL10	2.00	EA
26.00	MS 0103617	SOCKET HEAD CAP SCREW	六角穴圓頭螺絲	M6xP1.0xL16	4.00	EA
27.00	MW 0183610	SPRING WASHER	彈簧墊圈	M6	4.00	EA
28.00	MS 0103617	SOCKET HEAD CAP SCREW	六角穴圓頭螺絲	M6xP1.0xL16	5.00	EA
29.00	MW 0103610	FLAT WASHER	平墊圈	M6(d6*D19*H2)	5.00	EA
30.00	MW 0183610	SPRING WASHER	彈簧墊圈	M6	5.00	EA
31.00	MS 0103617	SOCKET HEAD CAP SCREW	六角穴圓頭螺絲	M6xP1.0xL16	4.00	EA
32.00	MW 0103610	FLAT WASHER	平墊圈	M6(d6*D19*H2)	4.00	EA
33.00	MW 0183610	SPRING WASHER	彈簧墊圈	M6	4.00	EA
34.00	MS 0103517	SOCKET HEAD CAP SCREW	六角穴圓頭螺絲	M5xP0.8xL16	6.00	EA
35.00	MW 0103510	FLAT WASHER	平墊圈	M5	6.00	EA
36.00	MW 0183510	SPRING WASHER	彈簧墊圈	M5	6.00	EA
37.00	NV 001011514A	COVER, X-AXIS REAR	X軸後蓋板	L774xW53.5xH151.5	1.00	EA

REV	DESCRIPTION	DATE	ECN
A	追加加工 SK 追加加工 INVISI	2002/11	



MODEL: VMC800	PART NUMBER	SCALE 1:17
PART NAME	NV 00004618B	REV. A
X-AXIS TELESCOPIC<NSK>	PAGE 1 OF 1	
X軸伸縮蓋<NSK>		
DATE 1999/5/11		

PRODUCT BOM MASTER AND SUB-ITEMS LIST

Master Item Part NO.: NV 000004618B

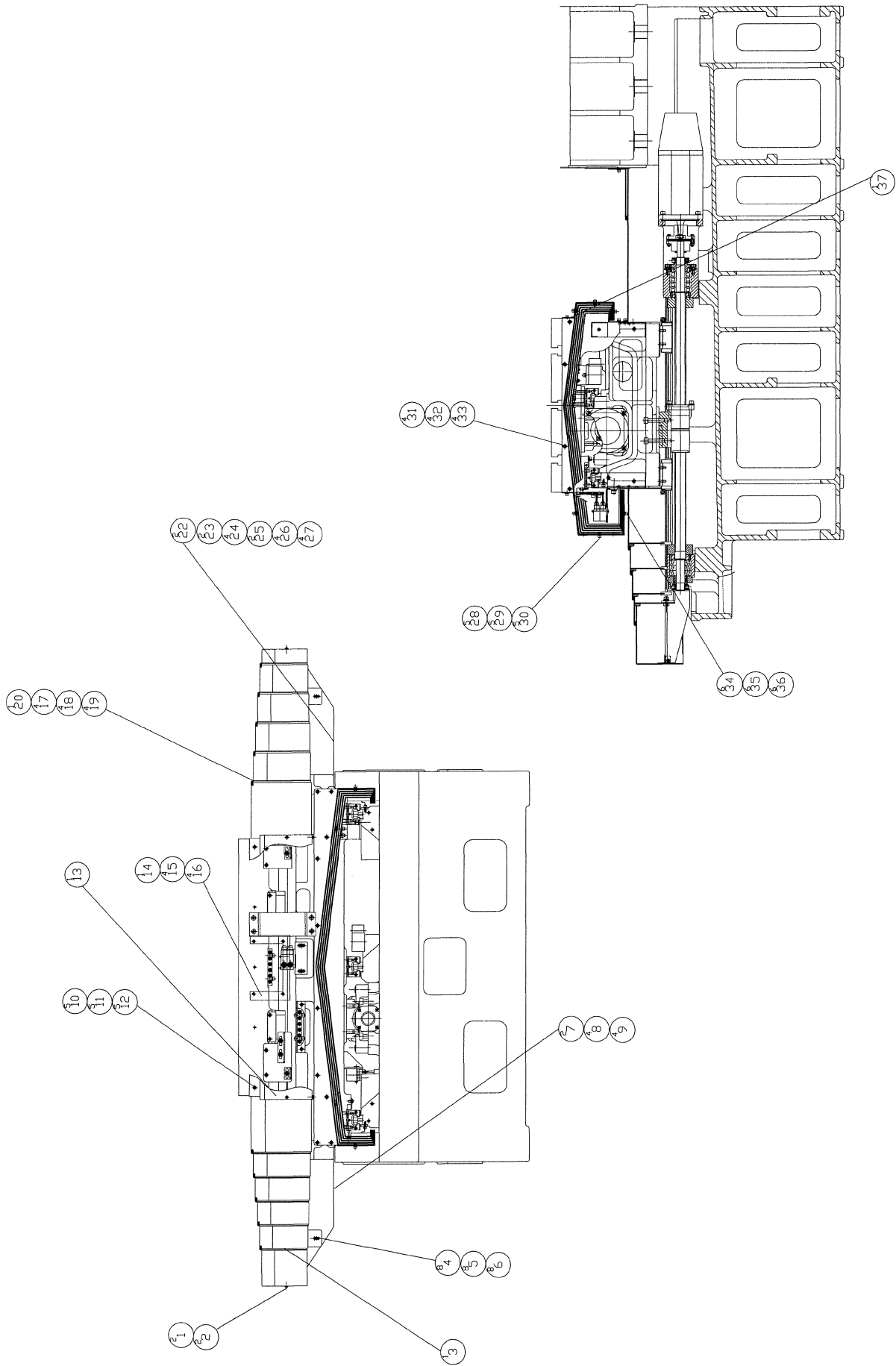
Description: X-AXIS TELESCOPIC(NSK)
X軸伸縮護蓋(NSK)

Item	Part NO.	Description	中文名稱	Specification	Qty	Unit
1.00	MW 0183510	SPRING WASHER	彈簧墊圈	M5	2.00	EA
2.00	MS 0103515	SOCKET HEAD CAP SCREW	六角穴圓頭螺絲	M5xP0.8xL10	2.00	EA
3.01	NV 001011501B	WAYCOVER, X-AXIS LEFT	X軸左伸縮護蓋	L1095xW679xH208	1.00	ST
4.00	MS 0103517	SOCKET HEAD CAP SCREW	六角穴圓頭螺絲	M5xP0.8xL16	8.00	EA
5.00	MW 0103510	FLAT WASHER	平墊圈	M5	8.00	EA
6.00	MW 0183510	SPRING WASHER	彈簧墊圈	M5	8.00	EA
7.01	NV 000399042B	SUPPORT, X-WAYCOVER(STANDARD,N	支撐架(標準型, 配合NSK線軌用)	L486xW456xH142	2.00	EA
8.00	MS 0103617	SOCKET HEAD CAP SCREW	六角穴圓頭螺絲	M6xP1.0xL16	4.00	EA
9.00	MW 0183610	SPRING WASHER	彈簧墊圈	M6	4.00	EA
10.00	MS 0103617	SOCKET HEAD CAP SCREW	六角穴圓頭螺絲	M6xP1.0xL16	5.00	EA
11.00	MW 0103610	FLAT WASHER	平墊圈	M6(d6*D19*H2)	5.00	EA
12.00	MW 0183610	SPRING WASHER	彈簧墊圈	M6	5.00	EA
13.00	NV 001011513B	COVER, X-AXIS FRONT	X軸前蓋板	L949xW133.5xH180	1.00	EA
14.00	NV 001011512A	COVER	蓋板	L170xW40xH110.5	1.00	EA
15.00	MS 0103515	SOCKET HEAD CAP SCREW	六角穴圓頭螺絲	M5xP0.8xL10	4.00	EA
16.00	MW 0183510	SPRING WASHER	彈簧墊圈	M5	4.00	EA
17.00	MS 0103617	SOCKET HEAD CAP SCREW	六角穴圓頭螺絲	M6xP1.0xL16	4.00	EA
18.00	MW 0103610	FLAT WASHER	平墊圈	M6(d6*D19*H2)	4.00	EA
19.00	MW 0183610	SPRING WASHER	彈簧墊圈	M6	4.00	EA
20.01	NV 001011500B	WAYCOVER, X-AXIS RIGHT	X軸右伸縮護蓋	L1095xW679xH208	1.00	ST

PRODUCT BOM MASTER AND SUB-ITEMS LIST

Item	Part NO.	Description	中文名稱	Specification	Qty	Unit
22.00	MS 0103517	SOCKET HEAD CAP SCREW	六角穴圓頭螺絲	M5xP0.8xL16	2.00	EA
23.00	MW 0103510	FLAT WASHER	平墊圈	M5	2.00	EA
24.00	MW 0183510	SPRING WASHER	彈簧墊圈	M5	4.00	EA
25.00	MS 0103515	SOCKET HEAD CAP SCREW	六角穴圓頭螺絲	M5xP0.8xL10	2.00	EA
26.00	MS 0103617	SOCKET HEAD CAP SCREW	六角穴圓頭螺絲	M6xP1.0xL16	4.00	EA
27.00	MW 0183610	SPRING WASHER	彈簧墊圈	M6	4.00	EA
28.00	MS 0103617	SOCKET HEAD CAP SCREW	六角穴圓頭螺絲	M6xP1.0xL16	5.00	EA
29.00	MW 0103610	FLAT WASHER	平墊圈	M6(d6*D19*H2)	5.00	EA
30.00	MW 0183610	SPRING WASHER	彈簧墊圈	M6	5.00	EA
31.00	MS 0103617	SOCKET HEAD CAP SCREW	六角穴圓頭螺絲	M6xP1.0xL16	4.00	EA
32.00	MW 0103610	FLAT WASHER	平墊圈	M6(d6*D19*H2)	4.00	EA
33.00	MW 0183610	SPRING WASHER	彈簧墊圈	M6	4.00	EA
34.00	MS 0103517	SOCKET HEAD CAP SCREW	六角穴圓頭螺絲	M5xP0.8xL16	6.00	EA
35.00	MW 0103510	FLAT WASHER	平墊圈	M5	6.00	EA
36.00	MW 0183510	SPRING WASHER	彈簧墊圈	M5	6.00	EA
37.00	NV 001011514B	COVER, X-AXIS REAR	X軸後蓋板	L949xW53.5xH151.5	1.00	EA

REV	DESCRIPTION	DATE	ECN
A	圖名: 万向鏡蓋(nsk) 基本圖已	2002/2/13	INV0381



MODEL: VMC1000	PART NUMBER	SCALE: 1:17
PART NAME	NV 000004618C	REV: A
X-AXIS TELESCOPIC(NSK)	PAGE 1 OF 1	
X軸伸縮鏡蓋(NSK)		
DATE: 1999/5/11		

PRODUCT BOM MASTER AND SUB-ITEMS LIST

Master Item Part NO.: NV 000004618C

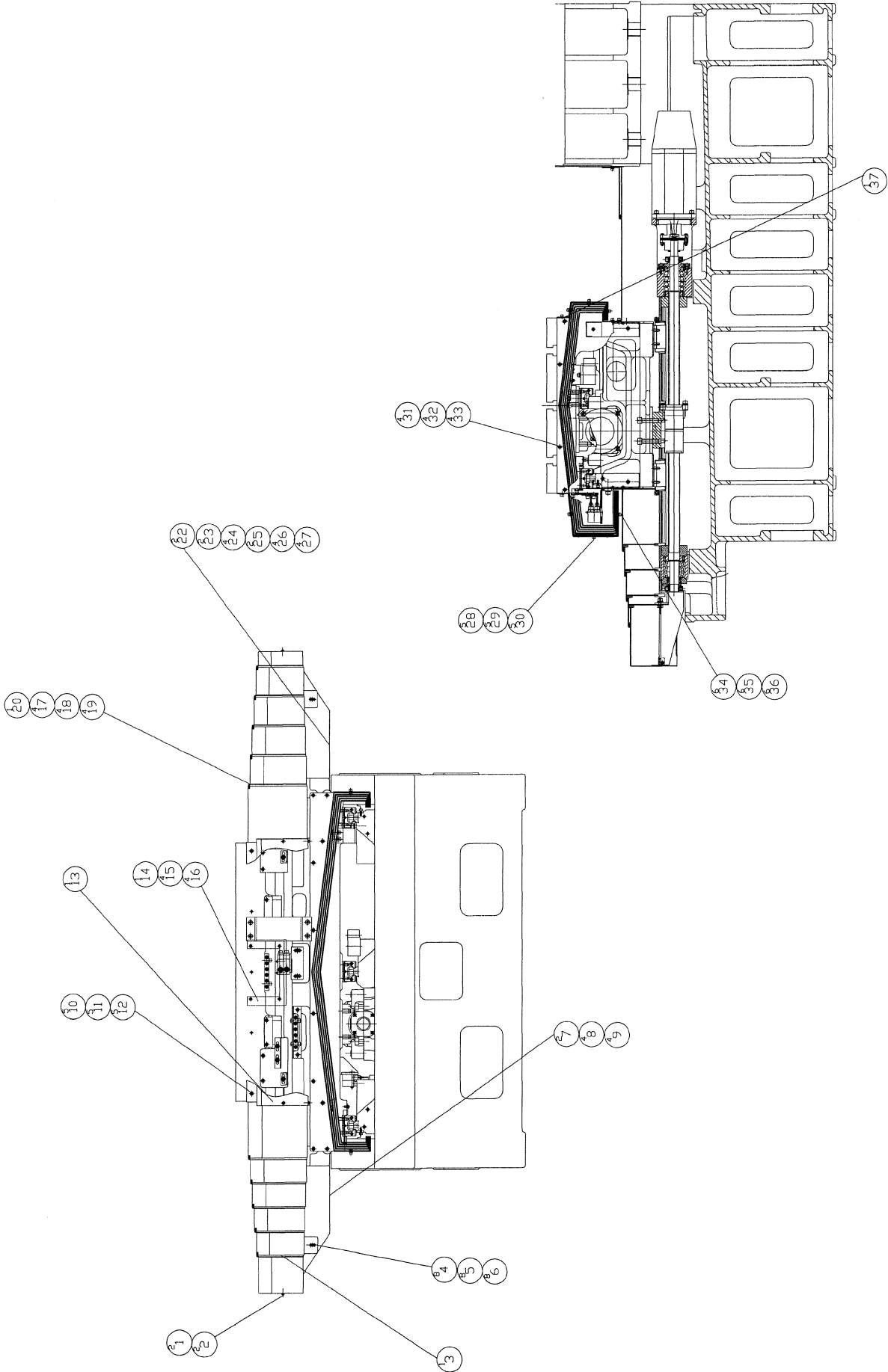
Description: X-AXIS TELESCOPIC(NSK)

X軸伸縮護蓋(NSK)

Item	Part NO.	Description	中文名稱	Specification	Qty	Unit
1.00	MW 0183510	SPRING WASHER	彈簧墊圈	M5	2.00	EA
2.00	MS 0103515	SOCKET HEAD CAP SCREW	六角穴圓頭螺絲	M5xP0.8xL10	2.00	EA
3.01	NV 001011501C	WAYCOVER, X-AXIS LEFT	X軸左伸縮護蓋	L1359xW679xH208	1.00	ST
4.00	MS 0103517	SOCKET HEAD CAP SCREW	六角穴圓頭螺絲	M5xP0.8xL16	8.00	EA
5.00	MW 0103510	FLAT WASHER	平墊圈	M5	8.00	EA
6.00	MW 0183510	SPRING WASHER	彈簧墊圈	M5	8.00	EA
7.01	NV 000399042C	SUPPORT, X-WAYCOVER(STANDARD,N	支撐架(標準型, 配合NSK線軌用)	L486xW456xH142	2.00	EA
8.00	MS 0103617	SOCKET HEAD CAP SCREW	六角穴圓頭螺絲	M6xP1.0xL16	4.00	EA
9.00	MW 0183610	SPRING WASHER	彈簧墊圈	M6	4.00	EA
10.00	MS 0103617	SOCKET HEAD CAP SCREW	六角穴圓頭螺絲	M6xP1.0xL16	5.00	EA
11.00	MW 0103610	FLAT WASHER	平墊圈	M6(d6*D19*H2)	5.00	EA
12.00	MW 0183610	SPRING WASHER	彈簧墊圈	M6	5.00	EA
13.00	NV 001011513C	COVER, X-AXIS FRONT	X軸前蓋板	L1144x133.5x180	1.00	EA
14.00	NV 001011512A	COVER	蓋板	L170xW40xH110.5	1.00	EA
15.00	MS 0103515	SOCKET HEAD CAP SCREW	六角穴圓頭螺絲	M5xP0.8xL10	4.00	EA
16.00	MW 0183510	SPRING WASHER	彈簧墊圈	M5	4.00	EA
17.00	MS 0103617	SOCKET HEAD CAP SCREW	六角穴圓頭螺絲	M6xP1.0xL16	4.00	EA
18.00	MW 0103610	FLAT WASHER	平墊圈	M6(d6*D19*H2)	4.00	EA
19.00	MW 0183610	SPRING WASHER	彈簧墊圈	M6	4.00	EA
20.01	NV 001011500C	WAYCOVER, X-AXIS RIGHT	X軸右伸縮護蓋	L1359xW679xH208	1.00	EA

PRODUCT BOM MASTER AND SUB-ITEMS LIST

Item	Part NO.	Description	中文名稱	Specification	Qty	Unit
22.00	MS 0103517	SOCKET HEAD CAP SCREW	六角穴圓頭螺絲	M5xP0.8xL16	2.00	EA
23.00	MW 0103510	FLAT WASHER	平墊圈	M5	2.00	EA
24.00	MW 0183510	SPRING WASHER	彈簧墊圈	M5	4.00	EA
25.00	MS 0103515	SOCKET HEAD CAP SCREW	六角穴圓頭螺絲	M5xP0.8xL10	2.00	EA
26.00	MS 0103617	SOCKET HEAD CAP SCREW	六角穴圓頭螺絲	M6xP1.0xL16	4.00	EA
27.00	MW 0183610	SPRING WASHER	彈簧墊圈	M6	4.00	EA
28.00	MS 0103617	SOCKET HEAD CAP SCREW	六角穴圓頭螺絲	M6xP1.0xL16	5.00	EA
29.00	MW 0103610	FLAT WASHER	平墊圈	M6(d6*D19*H2)	5.00	EA
30.00	MW 0183610	SPRING WASHER	彈簧墊圈	M6	5.00	EA
31.00	MS 0103617	SOCKET HEAD CAP SCREW	六角穴圓頭螺絲	M6xP1.0xL16	4.00	EA
32.00	MW 0103610	FLAT WASHER	平墊圈	M6(d6*D19*H2)	4.00	EA
33.00	MW 0183610	SPRING WASHER	彈簧墊圈	M6	4.00	EA
34.00	MS 0103517	SOCKET HEAD CAP SCREW	六角穴圓頭螺絲	M5xP0.8xL16	6.00	EA
35.00	MW 0103510	FLAT WASHER	平墊圈	M5	6.00	EA
36.00	MW 0183510	SPRING WASHER	彈簧墊圈	M5	6.00	EA
37.00	NV 001011514C	COVER, X-AXIS REAR	X軸後蓋板	L1144xW53.5x151.5	1.00	EA



(HI-TORQUE)

MODEL: V/MC600	PART NUMBER	SCALE 1:17
PART NAME	NV 00004605AT	REV. A
X-AXIS TELESCOPIC(HI-TORQUE)	PAGE 1 OF 1	
X 軸伸縮筒蓋(HI-TORQUE)		
DATE 2000/7/7		

PRODUCT BOM MASTER AND SUB-ITEMS LIST

Master Item Part NO.: NV 000004605AT

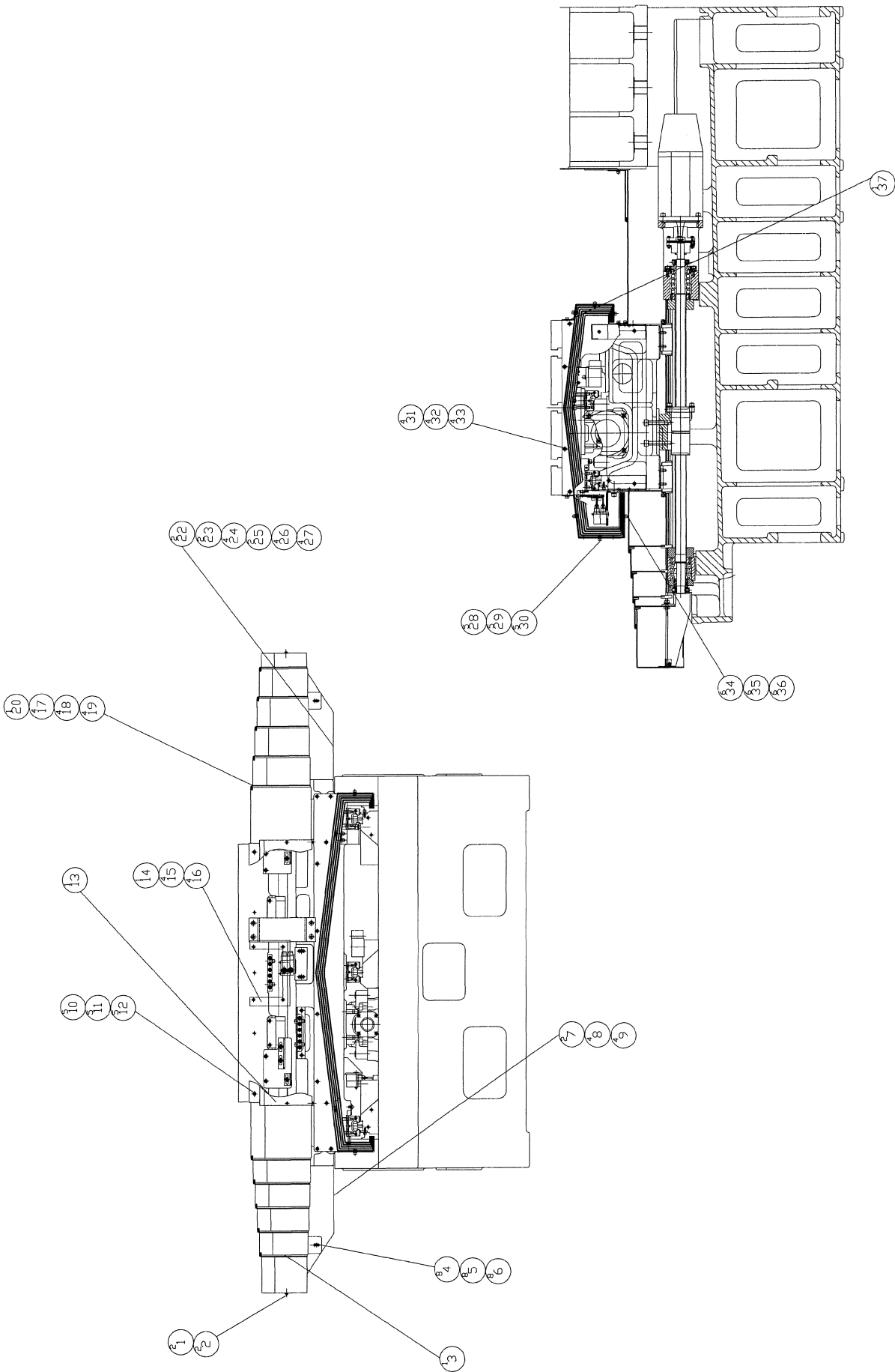
Description: X-AXIS TELESCOPI(HI-TORQUE)

X軸伸縮護蓋(高扭力)

Item	Part NO.	Description	中文名稱	Specification	Qty	Unit
1.00	MW 0183510	SPRING WASHER	彈簧墊圈	M5	2.00	EA
2.00	MS 0103515	SOCKET HEAD CAP SCREW	六角穴圓頭螺絲	M5xP0.8xL10	2.00	EA
3.01	NV 001011503A	WAYCOVER, X-AXIS LEFT	X軸左伸縮護蓋	L855xW679xH208	1.00	ST
4.00	MS 0103517	SOCKET HEAD CAP SCREW	六角穴圓頭螺絲	M5xP0.8xL16	8.00	EA
5.00	MW 0103510	FLAT WASHER	平墊圈	M5	8.00	EA
6.00	MW 0183510	SPRING WASHER	彈簧墊圈	M5	8.00	EA
7.01	NV 000399000A	SUPPORT, X-WAYCOVER(HI-TORQUE)	支撐架(高扭力, 配合NSK線軌用)	L486xW366xH144.5	2.00	EA
8.00	MS 0103617	SOCKET HEAD CAP SCREW	六角穴圓頭螺絲	M6xP1.0xL16	4.00	EA
9.00	MW 0183610	SPRING WASHER	彈簧墊圈	M6	4.00	EA
10.00	MS 0103617	SOCKET HEAD CAP SCREW	六角穴圓頭螺絲	M6xP1.0xL16	5.00	EA
11.00	MW 0103610	FLAT WASHER	平墊圈	M6(d6*D19*H2)	5.00	EA
12.00	MW 0183610	SPRING WASHER	彈簧墊圈	M6	5.00	EA
13.00	NV 001011513A	COVER, X-AXIS FRONT	X軸前蓋板	L774xW133.5xH180	1.00	EA
14.00	NV 001011512A	COVER	蓋板	L170xW40xH110.5	1.00	EA
15.00	MS 0103515	SOCKET HEAD CAP SCREW	六角穴圓頭螺絲	M5xP0.8xL10	4.00	EA
16.00	MW 0183510	SPRING WASHER	彈簧墊圈	M5	4.00	EA
17.00	MS 0103617	SOCKET HEAD CAP SCREW	六角穴圓頭螺絲	M6xP1.0xL16	4.00	EA
18.00	MW 0103610	FLAT WASHER	平墊圈	M6(d6*D19*H2)	4.00	EA
19.00	MW 0183610	SPRING WASHER	彈簧墊圈	M6	4.00	EA
20.01	NV 001011502A	WAYCOVER, X-AXIS RIGHT	X軸右伸縮護蓋	L855xW679xH208	1.00	ST

PRODUCT BOM MASTER AND SUB-ITEMS LIST

Item	Part NO.	Description	中文名稱	Specification	Qty	Unit
22.00	MS 0103517	SOCKET HEAD CAP SCREW	六角穴圓頭螺絲	M5xP0.8xL16	2.00	EA
23.00	MW 0103510	FLAT WASHER	平墊圈	M5	2.00	EA
24.00	MW 0183510	SPRING WASHER	彈簧墊圈	M5	4.00	EA
25.00	MS 0103515	SOCKET HEAD CAP SCREW	六角穴圓頭螺絲	M5xP0.8xL10	2.00	EA
26.00	MS 0103617	SOCKET HEAD CAP SCREW	六角穴圓頭螺絲	M6xP1.0xL16	4.00	EA
27.00	MW 0183610	SPRING WASHER	彈簧墊圈	M6	4.00	EA
28.00	MS 0103617	SOCKET HEAD CAP SCREW	六角穴圓頭螺絲	M6xP1.0xL16	5.00	EA
29.00	MW 0103610	FLAT WASHER	平墊圈	M6(d6*D19*H2)	5.00	EA
30.00	MW 0183610	SPRING WASHER	彈簧墊圈	M6	5.00	EA
31.00	MS 0103617	SOCKET HEAD CAP SCREW	六角穴圓頭螺絲	M6xP1.0xL16	4.00	EA
32.00	MW 0103610	FLAT WASHER	平墊圈	M6(d6*D19*H2)	4.00	EA
33.00	MW 0183610	SPRING WASHER	彈簧墊圈	M6	4.00	EA
34.00	MS 0103517	SOCKET HEAD CAP SCREW	六角穴圓頭螺絲	M5xP0.8xL16	6.00	EA
35.00	MW 0103510	FLAT WASHER	平墊圈	M5	6.00	EA
36.00	MW 0183510	SPRING WASHER	彈簧墊圈	M5	6.00	EA
37.00	NV 001011514A	COVER, X-AXIS REAR	X軸後蓋板	L774xW53.5xH151.5	1.00	EA



(HI-TORQUE)

MODEL: VMC800	PART NUMBER: NV 000004605BT
PART NAME: X-AXIS TELESCOPIC(HI-TORQUE)	PAGE 5 OF 8
X 非伸縮筒型 蓋(HI-TORQUE)	REV. A
DATE: 1999/5/11	SCALE: 1:1.7

PRODUCT BOM MASTER AND SUB-ITEMS LIST

Master Item Part NO.: NV 000004605BT

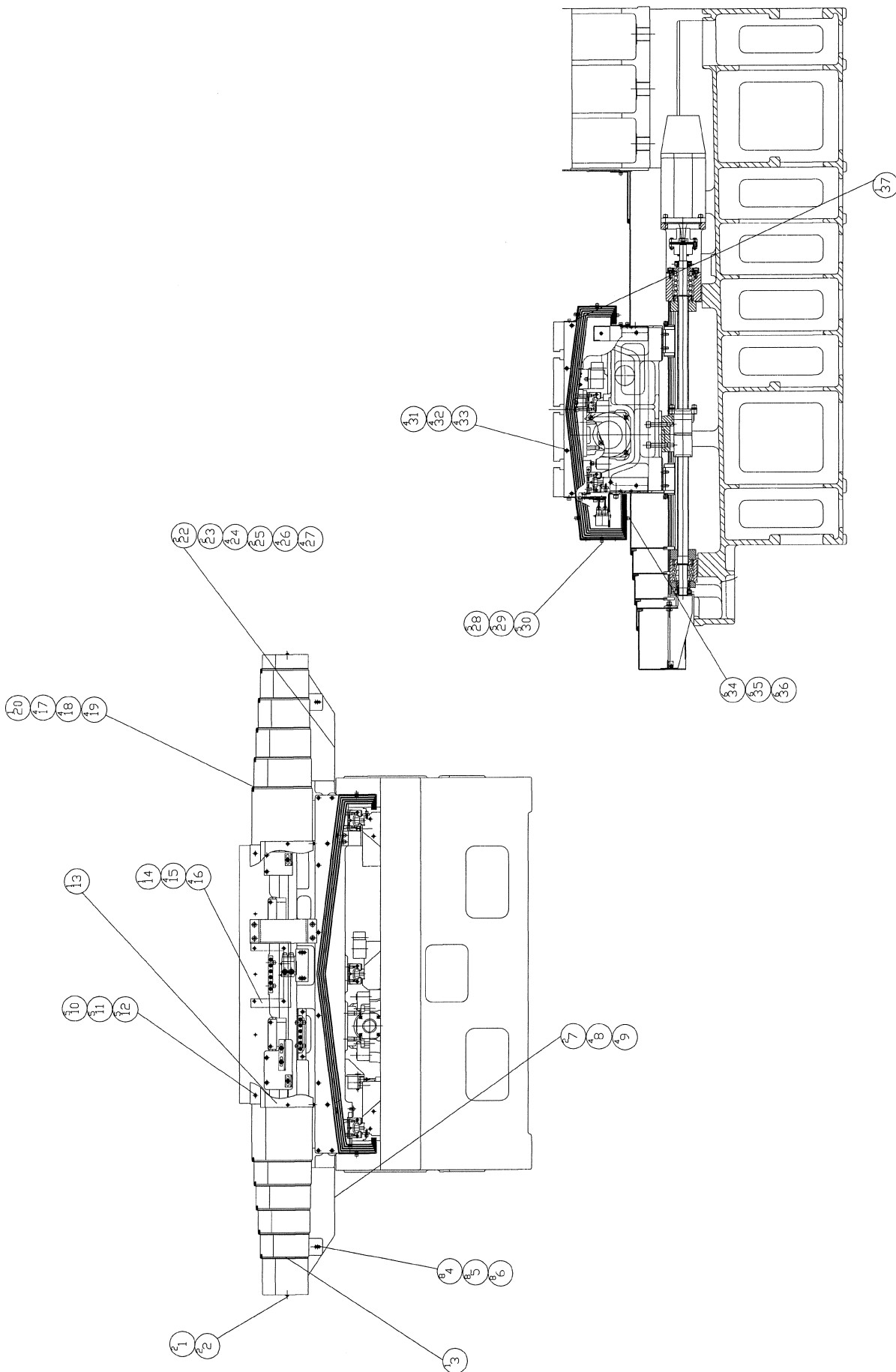
Description: X-AXIS TELESCOPI(HI-TORQUE)

X軸伸縮護蓋(高扭力)

Item	Part NO.	Description	中文名稱	Specification	Qty	Unit
1.00	MW 0183510	SPRING WASHER	彈簧墊圈	M5	2.00	EA
2.00	MS 0103515	SOCKET HEAD CAP SCREW	六角穴圓頭螺絲	M5xP0.8xL10	2.00	EA
3.01	NV 001011501B	WAYCOVER, X-AXIS LEFT	X軸左伸縮護蓋	L1095xW679xH208	1.00	ST
4.00	MS 0103517	SOCKET HEAD CAP SCREW	六角穴圓頭螺絲	M5xP0.8xL16	8.00	EA
5.00	MW 0103510	FLAT WASHER	平墊圈	M5	8.00	EA
6.00	MW 0183510	SPRING WASHER	彈簧墊圈	M5	8.00	EA
7.01	NV 000399000B	SUPPORT, X-WAYCOVER(HI-TORQUE)	支撐架(高扭力, 配合NSK線軌用)	L486xW456xH144.5	2.00	EA
8.00	MS 0103617	SOCKET HEAD CAP SCREW	六角穴圓頭螺絲	M6xP1.0xL16	4.00	EA
9.00	MW 0183610	SPRING WASHER	彈簧墊圈	M6	4.00	EA
10.00	MS 0103617	SOCKET HEAD CAP SCREW	六角穴圓頭螺絲	M6xP1.0xL16	5.00	EA
11.00	MW 0103610	FLAT WASHER	平墊圈	M6(d6*D19*H2)	5.00	EA
12.00	MW 0183610	SPRING WASHER	彈簧墊圈	M6	5.00	EA
13.00	NV 001011513B	COVER, X-AXIS FRONT	X軸前蓋板	L949xW133.5xH180	1.00	EA
14.00	NV 001011512A	COVER	蓋板	L170xW40xH110.5	1.00	EA
15.00	MS 0103515	SOCKET HEAD CAP SCREW	六角穴圓頭螺絲	M5xP0.8xL10	4.00	EA
16.00	MW 0183510	SPRING WASHER	彈簧墊圈	M5	4.00	EA
17.00	MS 0103617	SOCKET HEAD CAP SCREW	六角穴圓頭螺絲	M6xP1.0xL16	4.00	EA
18.00	MW 0103610	FLAT WASHER	平墊圈	M6(d6*D19*H2)	4.00	EA
19.00	MW 0183610	SPRING WASHER	彈簧墊圈	M6	4.00	EA
20.01	NV 001011500B	WAYCOVER, X-AXIS RIGHT	X軸右伸縮護蓋	L1095xW679xH208	1.00	ST

PRODUCT BOM MASTER AND SUB-ITEMS LIST

Item	Part NO.	Description	中文名稱	Specification	Qty	Unit
22.00	MS 0103517	SOCKET HEAD CAP SCREW	六角穴圓頭螺絲	M5xP0.8xL16	2.00	EA
23.00	MW 0103510	FLAT WASHER	平墊圈	M5	2.00	EA
24.00	MW 0183510	SPRING WASHER	彈簧墊圈	M5	4.00	EA
25.00	MS 0103515	SOCKET HEAD CAP SCREW	六角穴圓頭螺絲	M5xP0.8xL10	2.00	EA
26.00	MS 0103617	SOCKET HEAD CAP SCREW	六角穴圓頭螺絲	M6xP1.0xL16	4.00	EA
27.00	MW 0183610	SPRING WASHER	彈簧墊圈	M6	4.00	EA
28.00	MS 0103617	SOCKET HEAD CAP SCREW	六角穴圓頭螺絲	M6xP1.0xL16	5.00	EA
29.00	MW 0103610	FLAT WASHER	平墊圈	M6(d6*D19*H2)	5.00	EA
30.00	MW 0183610	SPRING WASHER	彈簧墊圈	M6	5.00	EA
31.00	MS 0103617	SOCKET HEAD CAP SCREW	六角穴圓頭螺絲	M6xP1.0xL16	4.00	EA
32.00	MW 0103610	FLAT WASHER	平墊圈	M6(d6*D19*H2)	4.00	EA
33.00	MW 0183610	SPRING WASHER	彈簧墊圈	M6	4.00	EA
34.00	MS 0103517	SOCKET HEAD CAP SCREW	六角穴圓頭螺絲	M5xP0.8xL16	6.00	EA
35.00	MW 0103510	FLAT WASHER	平墊圈	M5	6.00	EA
36.00	MW 0183510	SPRING WASHER	彈簧墊圈	M5	6.00	EA
37.00	NV 001011514B	COVER, X-AXIS REAR	X軸後蓋板	L949xW53.5xH151.5	1.00	EA



MODEL: VMC1000	SCALE: 1:17
PART NAME	REV. A
X-AXIS TELESCOPIC<HI-TORQUE>	PAGE 5 OF 8
X 串中伸縮部<HI-TORQUE>	REV. A
DATE: 2000/7/10	

<HI-TORQUE>

PRODUCT BOM MASTER AND SUB-ITEMS LIST

Master Item Part NO.: NV 000004605CT

Description: X-AXIS TELESCOPI(HI-TORQUE)

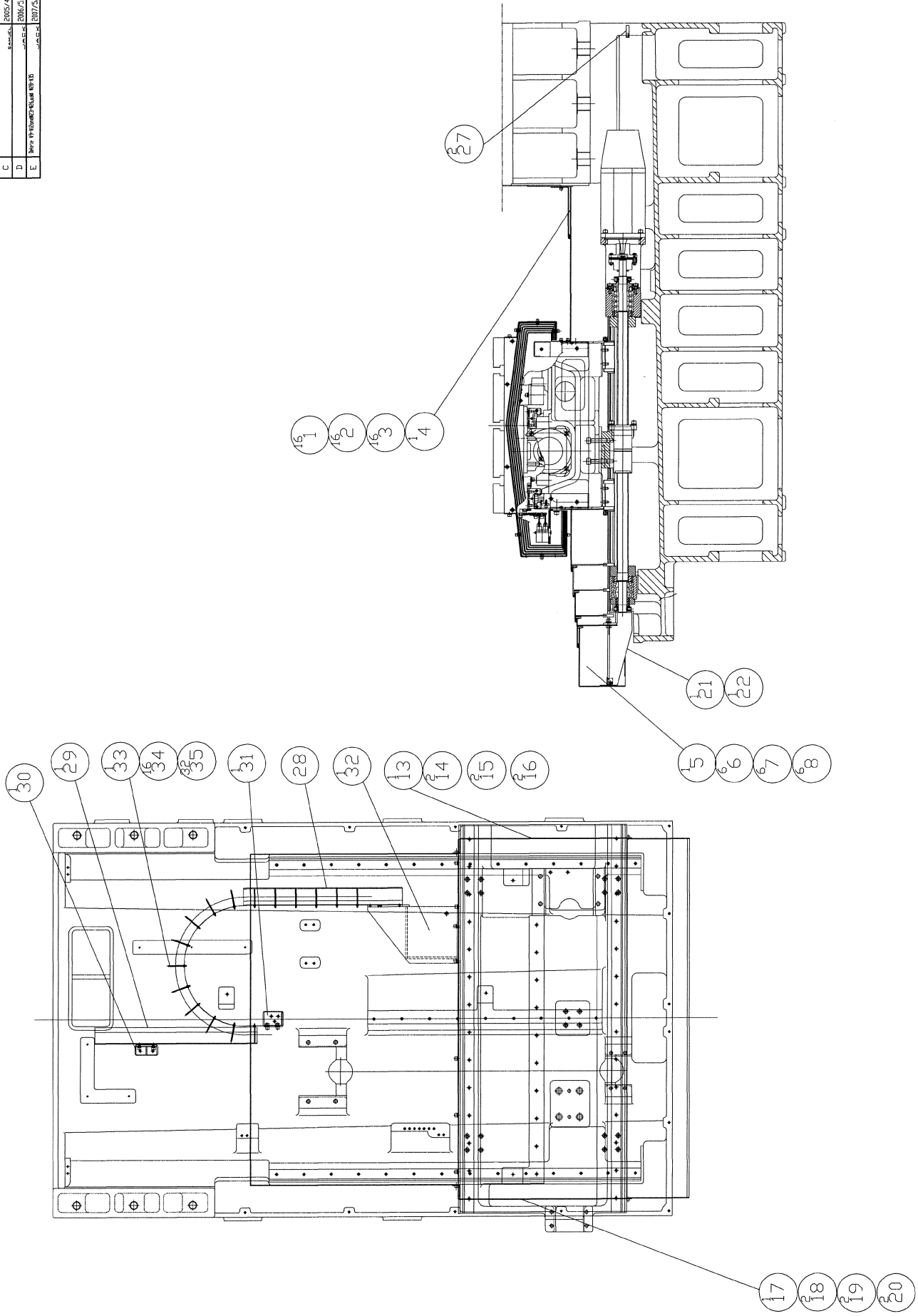
X軸伸縮護蓋(高扭力)

Item	Part NO.	Description	中文名稱	Specification	Qty	Unit
1.00	MW 0183510	SPRING WASHER	彈簧墊圈	M5	2.00	EA
2.00	MS 0103515	SOCKET HEAD CAP SCREW	六角穴圓頭螺絲	M5xP0.8xL10	2.00	EA
3.01	NV 001011501C	WAYCOVER, X-AXIS LEFT	X軸左伸縮護蓋	L1359xW679xH208	1.00	ST
4.00	MS 0103517	SOCKET HEAD CAP SCREW	六角穴圓頭螺絲	M5xP0.8xL16	8.00	EA
5.00	MW 0103510	FLAT WASHER	平墊圈	M5	8.00	EA
6.00	MW 0183510	SPRING WASHER	彈簧墊圈	M5	8.00	EA
7.01	NV 000399000C	SUPPORT, X-WAYCOVER(HI-TORQUE)	支撐架(高扭力, 配合NSK線軌用)	L486xW520xH144.5	2.00	EA
8.00	MS 0103617	SOCKET HEAD CAP SCREW	六角穴圓頭螺絲	M6xP1.0xL16	4.00	EA
9.00	MW 0183610	SPRING WASHER	彈簧墊圈	M6	4.00	EA
10.00	MS 0103617	SOCKET HEAD CAP SCREW	六角穴圓頭螺絲	M6xP1.0xL16	5.00	EA
11.00	MW 0103610	FLAT WASHER	平墊圈	M6(d6*D19*H2)	5.00	EA
12.00	MW 0183610	SPRING WASHER	彈簧墊圈	M6	5.00	EA
13.00	NV 001011513C	COVER, X-AXIS FRONT	X軸前蓋板	L1144x133.5x180	1.00	EA
14.00	NV 001011512A	COVER	蓋板	L170xW40xH110.5	1.00	EA
15.00	MS 0103515	SOCKET HEAD CAP SCREW	六角穴圓頭螺絲	M5xP0.8xL10	4.00	EA
16.00	MW 0183510	SPRING WASHER	彈簧墊圈	M5	4.00	EA
17.00	MS 0103617	SOCKET HEAD CAP SCREW	六角穴圓頭螺絲	M6xP1.0xL16	4.00	EA
18.00	MW 0103610	FLAT WASHER	平墊圈	M6(d6*D19*H2)	4.00	EA
19.00	MW 0183610	SPRING WASHER	彈簧墊圈	M6	4.00	EA
20.01	NV 001011500C	WAYCOVER, X-AXIS RIGHT	X軸右伸縮護蓋	L1359xW679xH208	1.00	EA

PRODUCT BOM MASTER AND SUB-ITEMS LIST

Item	Part NO.	Description	中文名稱	Specification	Qty	Unit
22.00	MS 0103517	SOCKET HEAD CAP SCREW	六角穴圓頭螺絲	M5xP0.8xL16	2.00	EA
23.00	MW 0103510	FLAT WASHER	平墊圈	M5	2.00	EA
24.00	MW 0183510	SPRING WASHER	彈簧墊圈	M5	4.00	EA
25.00	MS 0103515	SOCKET HEAD CAP SCREW	六角穴圓頭螺絲	M5xP0.8xL10	2.00	EA
26.00	MS 0103617	SOCKET HEAD CAP SCREW	六角穴圓頭螺絲	M6xP1.0xL16	4.00	EA
27.00	MW 0183610	SPRING WASHER	彈簧墊圈	M6	4.00	EA
28.00	MS 0103617	SOCKET HEAD CAP SCREW	六角穴圓頭螺絲	M6xP1.0xL16	5.00	EA
29.00	MW 0103610	FLAT WASHER	平墊圈	M6(d6*D19*H2)	5.00	EA
30.00	MW 0183610	SPRING WASHER	彈簧墊圈	M6	5.00	EA
31.00	MS 0103617	SOCKET HEAD CAP SCREW	六角穴圓頭螺絲	M6xP1.0xL16	4.00	EA
32.00	MW 0103610	FLAT WASHER	平墊圈	M6(d6*D19*H2)	4.00	EA
33.00	MW 0183610	SPRING WASHER	彈簧墊圈	M6	4.00	EA
34.00	MS 0103517	SOCKET HEAD CAP SCREW	六角穴圓頭螺絲	M5xP0.8xL16	6.00	EA
35.00	MW 0103510	FLAT WASHER	平墊圈	M5	6.00	EA
36.00	MW 0183510	SPRING WASHER	彈簧墊圈	M5	6.00	EA
37.00	NV 001011514C	COVER, X-AXIS REAR	X軸後蓋板	L1144xW53.5x151.5	1.00	EA

REV	DESCRIPTION	DATE	ECN
B		2003/2/13	INV03B1
C		2005/4/18	INV05C2
D		2007/5/31	9
E	Rev. 11/06/07/08/10/11/12	2007/5/23	15 16 17 18 19 20



MODEL: VMC600/800/1000	PART NUMBER
PART NAME	NV 000004606A
Y-AXIS TELESCOPIC(STAR)	PAGE 1 OF 1
Y軸伸縮望遠鏡(STAR)	REV. D
DATE 1999/5/11	SCALE 1:16
SHERRY MICHAEL PHIL	

PRODUCT BOM MASTER AND SUB-ITEMS LIST

Master Item Part NO.: NV 000004606A

Description: Y-AXIS TELESCOPI(STAR)

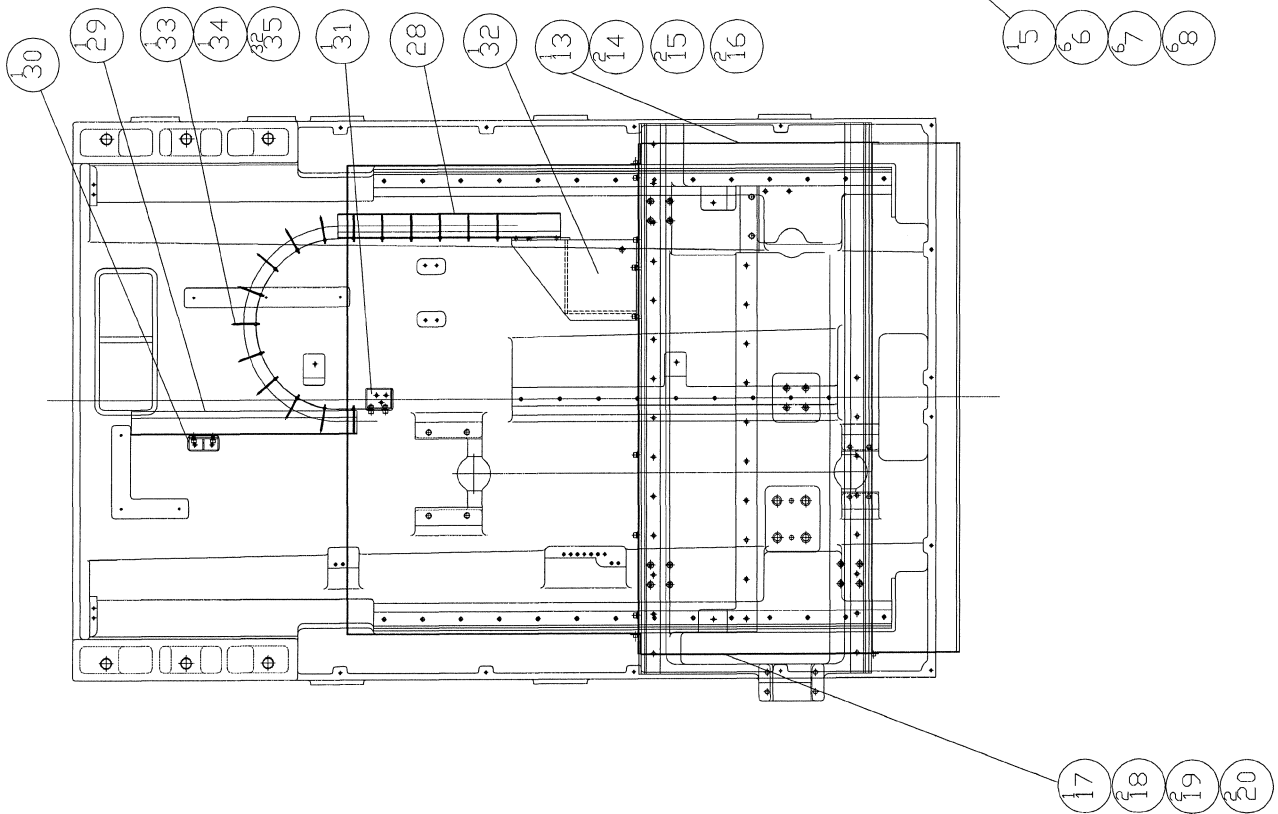
Y軸伸縮護蓋(STAR)

Item	Part NO.	Description	中文名稱	Specification	Qty	Unit
1.00	MS 0103617	SOCKET HEAD CAP SCREW	六角穴圓頭螺絲	M6xP1.0xL16	16.00	EA
2.00	MW 0103610	FLAT WASHER	平墊圈	M6(d6*D19*H2)	1.00	EA
3.00	MW 0183610	SPRING WASHER	彈簧墊圈	M6	16.00	EA
4.00	NV 001011505A	WAYCOVER, Y-AXIS REAR	Y軸後伸縮護蓋	L1041xW703xH232.4	1.00	ST
5.00	NV 001011504A	WAYCOVER, Y-AXIS FRONT	Y軸前伸縮護蓋	L1041xW774xH175.5	1.00	ST
6.00	MS 0103617	SOCKET HEAD CAP SCREW	六角穴圓頭螺絲	M6xP1.0xL16	6.00	EA
7.00	MW 0103610	FLAT WASHER	平墊圈	M6(d6*D19*H2)	6.00	EA
8.00	MW 0183610	SPRING WASHER	彈簧墊圈	M6	6.00	EA
13.00	NV 001011511A	COVER, RIGHT Y-WAYCOVER	右連接板	L518xW43xH91.5	1.00	EA
14.00	MS 0103517	SOCKET HEAD CAP SCREW	六角穴圓頭螺絲	M5xP0.8xL16	2.00	EA
15.00	MW 0103510	FLAT WASHER	平墊圈	M5	2.00	EA
16.00	MW 0183510	SPRING WASHER	彈簧墊圈	M5	2.00	EA
17.00	NV 001011510A	COVER, LEFT Y-WAYCOVER	左連接板	L518xW43xH91.5	1.00	EA
18.00	MS 0103517	SOCKET HEAD CAP SCREW	六角穴圓頭螺絲	M5xP0.8xL16	2.00	EA
19.00	MW 0103510	FLAT WASHER	平墊圈	M5	2.00	EA
20.00	MW 0183510	SPRING WASHER	彈簧墊圈	M5	2.00	EA
21.00	NVA000199039A	SUPPORT, RIGHT Y-WAYCOVER	右支撐架	L215xW82.5xH152	1.00	EA
22.00	NVA000199040A	SUPPORT, LEFT Y-WAYCOVER	左支撐架	L215xW82.5xH152	1.00	EA
27.00	NV 000799055A	BLOCK, WAYCOVER	軌道塊	L50xw35xH8	2.00	ST
28.00	NV 000899022A	GUIDE, Y-AXIS UTILITY CARRIER	Y軸運動鏈導軌(右)	L463xW51xH61	1.00	ST

PRODUCT BOM MASTER AND SUB-ITEMS LIST

Item	Part NO.	Description	中文名稱	Specification	Qty	Unit
29.00	NV 000899026A	GUIDE, Y-AXIS UTILITY CARRIER	Y軸連動鏈導軌(左)	L470xW53xH38	1.00	ST
30.00	NV 000899027A	SUPPORT, UTILITY CARRIER GUIDE	Y連動鏈導軌支架(左1)	L60xW25xH93.3	1.00	ST
31.00	NV 000899028A	SUPPORT, UTILITY CARRIER GUIDE	Y連動鏈導軌支架(左2)	L40xW52xH136.3	1.00	ST
32.00	NV 000899029A	SUPPORT, UTILITY CARRIER GUIDE	Y軸連動鏈支架(右)	L170xW141xH262	1.00	ST
33.00	GX 001162301D	UTILITY CARRIER, Y-AXIS	Y軸連動護板	L1052xW73xT0.5	1.00	ST
34.00	GX 001162302D	FIX BAR, UTILITY CARRIER	U型固定桿	L65xH59xD4	1.00	ST
35.00	MN 0113310	HEXAGON NUT	六角螺帽	M3xP0.5	32.00	EA

REV.	DESCRIPTION	DATE	ECN.
A		2002/2/10	INV001
B		2006/5/31	9
C	TELESCOPIE (NSK)	2007/5/23	5



MODEL: VMC500/800/1000	
PART NAME	PART NUMBER
Y-AXIS TELESCOPIE (NSK)	NV 00004619A
Y軸伸縮筒 (NSK)	PAGE 1 OF 1
DATE 1999/5/11	REV. C
DESIGNER SHERY MICHAEL PHIL	SCALE 1:16

PRODUCT BOM MASTER AND SUB-ITEMS LIST

Master Item Part NO.: NV 000004619A

Description: Y-AXIS TELESCOPIC(NSK)

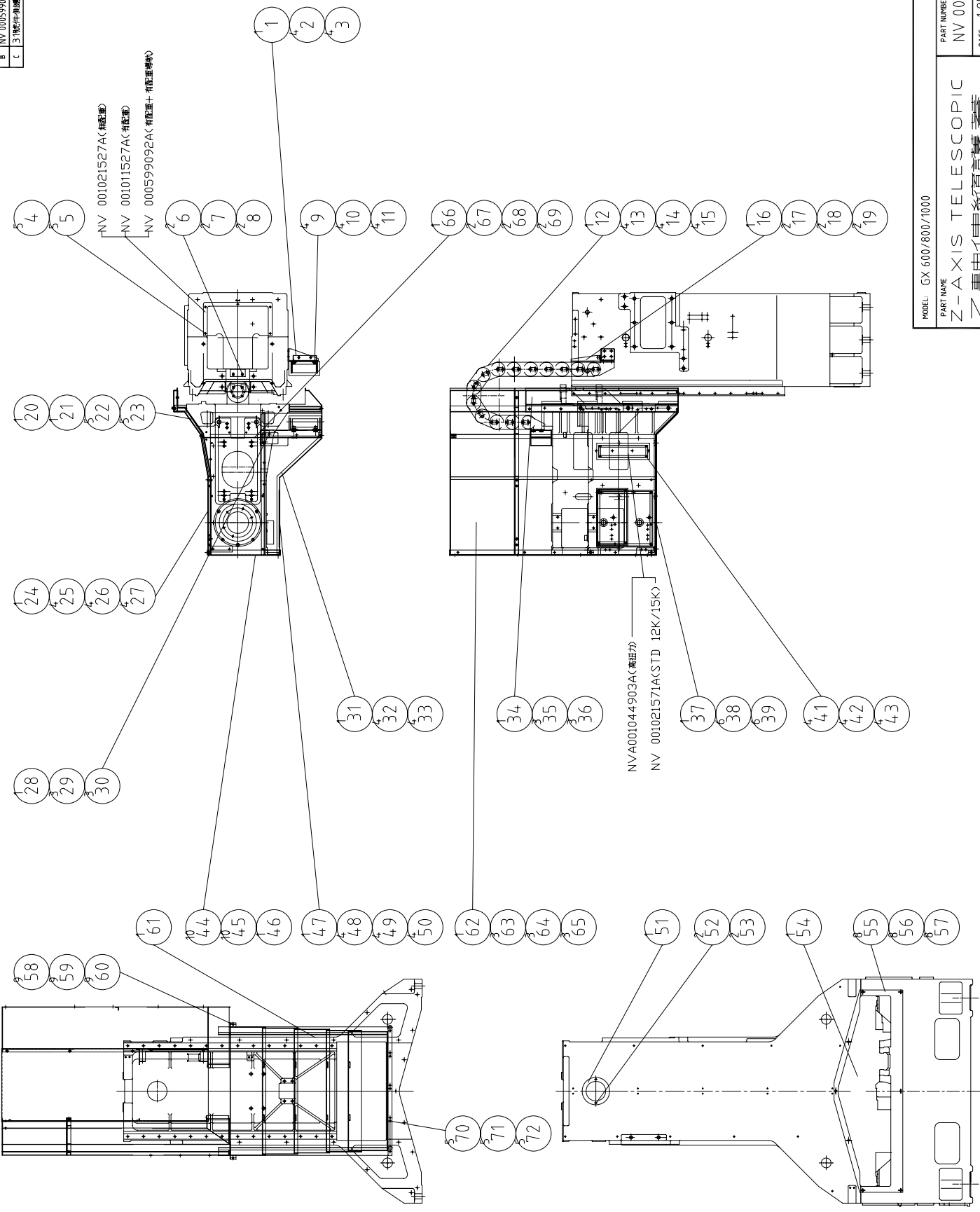
Y軸伸縮護蓋(NSK)

Item	Part NO.	Description	中文名稱	Specification	Qty	Unit
1.00	MS 0103617	SOCKET HEAD CAP SCREW	六角穴圓頭螺絲	M6xP1.0xL16	16.00	EA
2.00	MW 0103610	FLAT WASHER	平墊圈	M6(d6*D19*H2)	16.00	EA
3.00	MW 0183610	SPRING WASHER	彈簧墊圈	M6	16.00	EA
4.00	NV 001011505A	WAYCOVER, Y-AXIS REAR	Y軸後伸縮護蓋	L1041xW703xH232.4	1.00	ST
5.00	NV 001011504A	WAYCOVER, Y-AXIS FRONT	Y軸前伸縮護蓋	L1041xW774xH175.5	1.00	ST
6.00	MS 0103617	SOCKET HEAD CAP SCREW	六角穴圓頭螺絲	M6xP1.0xL16	6.00	EA
7.00	MW 0103610	FLAT WASHER	平墊圈	M6(d6*D19*H2)	6.00	EA
8.00	MW 0183610	SPRING WASHER	彈簧墊圈	M6	6.00	EA
11.00	MS 0103618	SOCKET HEAD CAP SCREW	六角穴圓頭螺絲	M6xP1.0xL20	10.00	EA
12.00	MW 0103610	FLAT WASHER	平墊圈	M6(d6*D19*H2)	10.00	EA
13.00	NV 001011511A	COVER, RIGHT Y-WAYCOVER	右連接板	L518xW43xH91.5	1.00	EA
14.00	MS 0103517	SOCKET HEAD CAP SCREW	六角穴圓頭螺絲	M5xP0.8xL16	2.00	EA
15.00	MW 0103510	FLAT WASHER	平墊圈	M5	2.00	EA
16.00	MW 0183510	SPRING WASHER	彈簧墊圈	M5	2.00	EA
17.00	NV 001011510A	COVER, LEFT Y-WAYCOVER	左連接板	L518xW43xH91.5	1.00	EA
18.00	MS 0103517	SOCKET HEAD CAP SCREW	六角穴圓頭螺絲	M5xP0.8xL16	2.00	EA
19.00	MW 0103510	FLAT WASHER	平墊圈	M5	2.00	EA
20.00	MW 0183510	SPRING WASHER	彈簧墊圈	M5	2.00	EA
21.00	NV 000399043A	SUPPORT, RIGHT Y-WAYCOVER(NSK)	右支撐架(NSK)	L215xW80xH152	1.00	EA
22.00	NV 000399044A	SUPPORT, LEFT Y-WAYCOVER(NSK)	左支撐架(NSK)	L215xW80xH152	1.00	EA

PRODUCT BOM MASTER AND SUB-ITEMS LIST

Item	Part NO.	Description	中文名稱	Specification	Qty	Unit
23.00	NV 000699016A	WIRE BOX	電線盒	L:160xW:136xH:60	1.00	EA
24.00	NV 000699017A	COVER	蓋子	L:132xW:106xH:2.3	1.00	EA
25.00	MS 0103414	SOCKET HEAD CAP SCREW	六角六圓頭螺絲	M4xP0.7xL8	4.00	EA
26.00	MW 0183410	SPRING WASHER	彈簧墊圈	M4	4.00	EA
27.00	NV 000799055A	BLOCK, WAYCOVER	軌道塊	L50xw35xH8	2.00	ST
28.00	NV 000899022A	GUIDE, Y-AXIS UTILITY CARRIER	Y軸連動鏈導軌(右)	L463xW51xH61	1.00	ST
29.00	NV 000899026A	GUIDE, Y-AXIS UTILITY CARRIER	Y軸連動鏈導軌(左)	L470xW53xH38	1.00	ST
30.00	NV 000899027A	SUPPORT, UTILITY CARRIER GUIDE	Y連動鏈導軌支架(左1)	L60xW25xH93.3	1.00	ST
31.00	NV 000899028A	SUPPORT, UTILITY CARRIER GUIDE	Y連動鏈導軌支架(左2)	L40xW52xH136.3	1.00	ST
32.00	NV 000899029A	SUPPORT, UTILITY CARRIER GUIDE	Y軸連動鏈支架(右)	L170xW141xH262	1.00	ST
33.00	GX 001162301D	UTILITY CARRIER, Y-AXIS	Y軸連動護板	L1052xW73xT0.5	1.00	ST
34.00	GX 001162302D	FIX BAR, UTILITY CARRIER	U型固定桿	L65xH59xD4	1.00	ST
35.00	MN 0113310	HEXAGON NUT	六角螺帽	M3xP0.5	32.00	EA

REV	DESCRIPTION	DATE	ECK
A	発行名称	2006/9/22	
B	NV 000599092A-NV A001044903A(無配重) NVA001044903A(無配重)	2007/9/28	784
C	3 部品仕様書の水穴加工(取付穴) 取付穴	2007/12/26	970



MODEL: GX 600/800/1000
PART NAME Z-Axis TELESCOPIC
PART NUMBER NV 000004719A
PAGE 1 OF 1
REV. C
DATE 2006/9/22
SCALE 1:28
ENDER P.H.I.L.

PRODUCT BOM MASTER AND SUB-ITEMS LIST

Master Item Part NO.: NV 000004719A

Description: Z-AXIS TELESCOPIC
Z軸伸縮護蓋

Item	Part NO.	Description	中文名稱	Specification	Qty	Unit
1.00	NV 000699099A	BRACKET, UTILITY CARRIER	連動鏈座	L154xW64xH70	1.00	EA
2.00	MS 0103819	SOCKET HEAD CAP SCREW	六角穴圓頭螺絲	M8xP1.25xL25	4.00	EA
3.00	MW 0183810	SPRING WASHER	彈簧墊圈	M8	4.00	EA
4.00	MW 0183610	SPRING WASHER	彈簧墊圈	M6	5.00	EA
5.00	MS 0103617	SOCKET HEAD CAP SCREW	六角穴圓頭螺絲	M6xP1.0xL16	5.00	EA
6.00	MS 0103617	SOCKET HEAD CAP SCREW	六角穴圓頭螺絲	M6xP1.0xL16	2.00	EA
7.00	MW 0183610	SPRING WASHER	彈簧墊圈	M6	2.00	EA
8.00	MW 0103610	FLAT WASHER	平墊圈	M6(d6*D19*H2)	2.00	EA
9.00	MS 0104019	SOCKET HEAD CAP SCREW	六角穴圓頭螺絲	M10xP1.5xL25	4.00	EA
10.00	MW 0184010	SPRING WASHER	彈簧墊圈	M10	4.00	EA
11.00	MW 0104010	FLAT WASHER	平墊圈	M10	4.00	EA
12.00	NVA001162300A	UTILITY CARRIER, Z-AXIS	Z軸連動護管	L1252xW165xH72	1.00	EA
13.00	MS 0104019	SOCKET HEAD CAP SCREW	六角穴圓頭螺絲	M10xP1.5xL25	4.00	EA
14.00	MW 0184010	SPRING WASHER	彈簧墊圈	M10	4.00	EA
15.00	MW 0104010	FLAT WASHER	平墊圈	M10	4.00	EA
16.00	NV 000599071A	SUPPORT, UTILITY CARRIER	連動鏈支撐架	L:150xW:120xH:30	1.00	EA
17.00	MS 0103616	SOCKET HEAD CAP SCREW	六角穴圓頭螺絲	M6xP1.0xL12	2.00	EA
18.00	MW 0184010	SPRING WASHER	彈簧墊圈	M10	2.00	EA
19.00	MW 0104010	FLAT WASHER	平墊圈	M10	2.00	EA
20.00	NV 000299040A	SUPPORT, HEADSTOCK LEFT COVER	主軸箱左側蓋支撐架	L328.6XW43.7XH66.5	1.00	EA

PRODUCT BOM MASTER AND SUB-ITEMS LIST

Item	Part NO.	Description	中文名稱	Specification	Qty	Unit
21.00	NV 000599064A	COVER, HEADSTOCK LEFT	主軸箱左側蓋	L847.5xW832xH202	1.00	EA
22.00	MS 0103617	SOCKET HEAD CAP SCREW	六角穴圓頭螺絲	M6xP1.0xL16	5.00	EA
23.00	MW 0183610	SPRING WASHER	彈簧墊圈	M6	5.00	EA
24.00	NV 001011521A	COVER, HEADSTOCK	蓋子	L278XW148XH2.3	1.00	EA
25.00	MS 0103516	SOCKET HEAD CAP SCREW	六角穴圓頭螺絲	M5xP0.8xL12	4.00	EA
26.00	MW 0183510	SPRING WASHER	彈簧墊圈	M5	4.00	EA
27.00	MW 0103510	FLAT WASHER	平墊圈	M5	4.00	EA
28.00	NV 000599098A	BRACKET, UTILITY CARRIER	連動鏈座	L312xW107xH80	1.00	EA
29.00	MS 0103819	SOCKET HEAD CAP SCREW	六角穴圓頭螺絲	M8xP1.25xL25	3.00	EA
30.00	MW 0183810	SPRING WASHER	彈簧墊圈	M8	3.00	EA
31.02	NVA000599059A	COVER, HEADSTOCK RIGHT	主軸箱右側蓋	L1162xW759xH309.3	1.00	EA
32.00	MS 0303516	BUTTON HD. SOCKET	六角穴半圓頭螺絲	M5xP0.8xL12	4.00	EA
33.00	MW 0183510	SPRING WASHER	彈簧墊圈	M5	4.00	EA
34.00	NV 000599072A	COVER, HEADSTOCK RIGHT	主軸箱右蓋	L777xW166xH121.5	1.00	EA
35.00	MS 0103617	SOCKET HEAD CAP SCREW	六角穴圓頭螺絲	M6xP1.0xL16	3.00	EA
36.00	MW 0183610	SPRING WASHER	彈簧墊圈	M6	3.00	EA
37.00	NVA001021555A	COVER, PLATE	蓋板	L719.4xW274xH111.4	1.00	ST
38.00	MS 0103617	SOCKET HEAD CAP SCREW	六角穴圓頭螺絲	M6xP1.0xL16	6.00	EA
39.00	MW 0183610	SPRING WASHER	彈簧墊圈	M6	6.00	EA
41.00	MS 0103416	SOCKET HEAD CAP SCREW	六角穴圓頭螺絲	M4xP0.7xL12	4.00	EA
42.00	MW 0183410	SPRING WASHER	彈簧墊圈	M4	4.00	EA
43.00	MW 0103410	FLAT WASHER	平墊圈	M4x10Dx1T	4.00	EA
44.00	MW 0183510	SPRING WASHER	彈簧墊圈	M5	10.00	EA

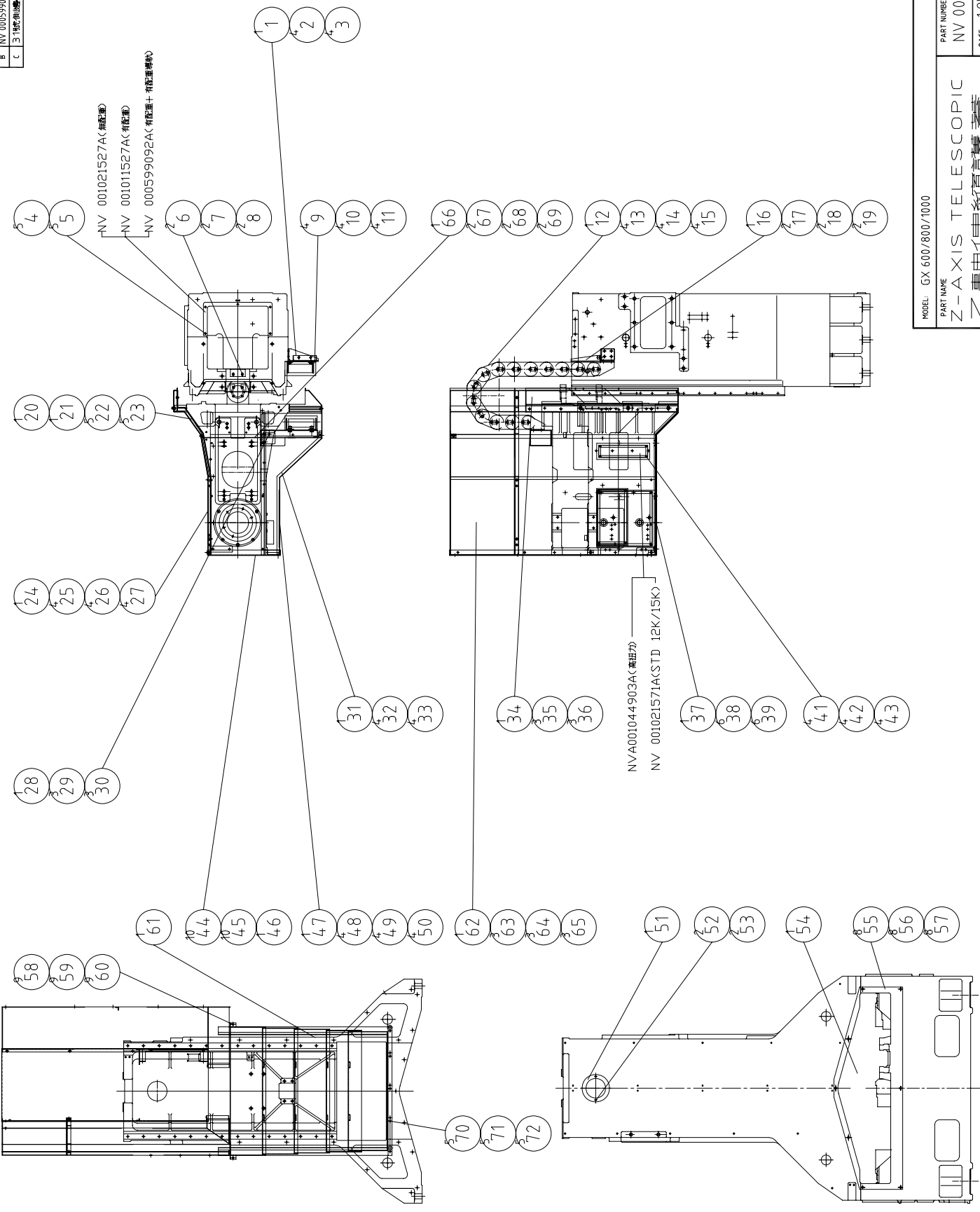
PRODUCT BOM MASTER AND SUB-ITEMS LIST

Item	Part NO.	Description	中文名稱	Specification	Qty	Unit
45.00	MS 0303516	BUTTON HD. SOCKET	六角穴半圓頭螺絲	M5xP0.8xL12	10.00	EA
46.00	NV 000599060A	COVER, HEADSTOCK FRONT	主軸箱前蓋	L1052.3xW372xH27.3	1.00	EA
47.00	NV 000599057A	COVER, HEADSTOCK	蓋子	L278xW278xH2.3	1.00	EA
48.00	MS 0303516	BUTTON HD. SOCKET	六角穴半圓頭螺絲	M5xP0.8xL12	4.00	EA
49.00	MW 0183510	SPRING WASHER	彈簧墊圈	M5	4.00	EA
50.00	MW 0103510	FLAT WASHER	平墊圈	M5	4.00	EA
51.00	NV 001011528A	COVER, COLUMN BACK	主柱後蓋	D140XL2.3	1.00	EA
52.00	MS 0303617	BUTTON HD. SOCKET	六角穴半圓頭螺絲	M6xP1.0xL16	2.00	EA
53.00	MW 0183610	SPRING WASHER	彈簧墊圈	M6	2.00	EA
54.00	NV 000199055A	COVER, COLUMN REAR	立柱蓋板	L1030XW349XL2.3	1.00	EA
55.00	MS 0303516	BUTTON HD. SOCKET	六角穴半圓頭螺絲	M5xP0.8xL12	8.00	EA
56.00	MW 0183510	SPRING WASHER	彈簧墊圈	M5	8.00	EA
57.00	MW 0103510	FLAT WASHER	平墊圈	M5	8.00	EA
58.00	MS 0103617	SOCKET HEAD CAP SCREW	六角穴圓頭螺絲	M6xP1.0xL16	9.00	EA
59.00	MW 0183610	SPRING WASHER	彈簧墊圈	M6	9.00	EA
60.00	MW 0103610	FLAT WASHER	平墊圈	M6(d6*D19*H2)	9.00	EA
61.00	NVA001011506A	WAYCOVER, Z-AXIS BOTTOM	Z軸下伸縮護蓋	L884.5XW695XH125	1.00	ST
62.00	NV 000599065A	COVER, HEADSTOCK LEFT	主軸箱左側蓋	L847.5xW350xH189	1.00	EA
63.00	MS 0103518	SOCKET HEAD CAP SCREW	六角穴圓頭螺絲	M5xP0.8xL20	3.00	EA
64.00	MW 0183510	SPRING WASHER	彈簧墊圈	M5	3.00	EA
65.00	MW 0103510	FLAT WASHER	平墊圈	M5	3.00	EA
66.00	NV 000599080A	REAR SUPPORT, HEADSTOCK	主軸後支撐板	L615.2xW25xH21	1.00	EA
67.00	MS 0103618	SOCKET HEAD CAP SCREW	六角穴圓頭螺絲	M6xP1.0xL20	2.00	EA

PRODUCT BOM MASTER AND SUB-ITEMS LIST

Item	Part NO.	Description	中文名稱	Specification	Qty	Unit
68.00	MW 0183610	SPRING WASHER	彈簧墊圈	M6	2.00	EA
69.00	MW 0103610	FLAT WASHER	平墊圈	M6(d6*D19*H2)	2.00	EA
70.00	MS 0103617	SOCKET HEAD CAP SCREW	六角穴圓頭螺絲	M6xP1.0xL16	5.00	EA
71.00	MW 0183610	SPRING WASHER	彈簧墊圈	M6	5.00	EA
72.00	MW 0103610	FLAT WASHER	平墊圈	M6(d6*D19*H2)	5.00	EA

REV	DESCRIPTION	DATE	ECK
A	発行名称	2006/9/22	
B	NV 000599092A-NV A001044903A(無配重)	2007/9/28	784
C	3軸制御機軸水子孔加工(改良)	2007/12/26	970



MODEL: GX 600/800/1000
PART NAME Z-Axis TELESCOPIC
PART NUMBER NV 000004719A1
DATE 2006/9/22
ENDER P.H.I.L.
SCALE 1:28
REV. C
PAGE 1 OF 1

PRODUCT BOM MASTER AND SUB-ITEMS LIST

Master Item Part NO.: NV 000004719A1

Description: Z-AXIS TELESCOPIC(GX1)
Z軸伸縮護蓋(GX1)

Item	Part NO.	Description	中文名稱	Specification	Qty	Unit
1.00	NV 000699099A	BRACKET, UTILITY CARRIER	連動鏈座	L154xW64xH70	1.00	EA
2.00	MS 0103819	SOCKET HEAD CAP SCREW	六角穴圓頭螺絲	M8xP1.25xL25	4.00	EA
3.00	MW 0183810	SPRING WASHER	彈簧墊圈	M8	4.00	EA
4.00	MW 0183610	SPRING WASHER	彈簧墊圈	M6	5.00	EA
5.00	MS 0103617	SOCKET HEAD CAP SCREW	六角穴圓頭螺絲	M6xP1.0xL16	5.00	EA
6.00	MS 0103617	SOCKET HEAD CAP SCREW	六角穴圓頭螺絲	M6xP1.0xL16	2.00	EA
7.00	MW 0183610	SPRING WASHER	彈簧墊圈	M6	2.00	EA
8.00	MW 0103610	FLAT WASHER	平墊圈	M6(d6*D19*H2)	2.00	EA
9.00	MS 0104019	SOCKET HEAD CAP SCREW	六角穴圓頭螺絲	M10xP1.5xL25	4.00	EA
10.00	MW 0184010	SPRING WASHER	彈簧墊圈	M10	4.00	EA
11.00	MW 0104010	FLAT WASHER	平墊圈	M10	4.00	EA
12.00	NVA001162300A	UTILITY CARRIER, Z-AXIS	Z軸連動護管	L1252xW165xH72	1.00	EA
13.00	MS 0104019	SOCKET HEAD CAP SCREW	六角穴圓頭螺絲	M10xP1.5xL25	4.00	EA
14.00	MW 0184010	SPRING WASHER	彈簧墊圈	M10	4.00	EA
15.00	MW 0104010	FLAT WASHER	平墊圈	M10	4.00	EA
16.00	NV 000599071A	SUPPORT, UTILITY CARRIER	連動鏈支撐架	L:150xW:120xH:30	1.00	EA
17.00	MS 0103616	SOCKET HEAD CAP SCREW	六角穴圓頭螺絲	M6xP1.0xL12	2.00	EA
18.00	MW 0184010	SPRING WASHER	彈簧墊圈	M10	2.00	EA
19.00	MW 0104010	FLAT WASHER	平墊圈	M10	2.00	EA
20.00	NV 000299040A	SUPPORT, HEADSTOCK LEFT COVER	主軸箱左側蓋支撐架	L328.6XW43.7XH66.5	1.00	EA

PRODUCT BOM MASTER AND SUB-ITEMS LIST

Item	Part NO.	Description	中文名稱	Specification	Qty	Unit
21.00	NV 000599064A	COVER, HEADSTOCK LEFT	主軸箱左側蓋	L847.5xW832xH202	1.00	EA
22.00	MS 0103617	SOCKET HEAD CAP SCREW	六角穴圓頭螺絲	M6xP1.0xL16	5.00	EA
23.00	MW 0183610	SPRING WASHER	彈簧墊圈	M6	5.00	EA
24.00	NV 001011521A	COVER, HEADSTOCK	蓋子	L278XW148XH2.3	1.00	EA
25.00	MS 0103516	SOCKET HEAD CAP SCREW	六角穴圓頭螺絲	M5xP0.8xL12	4.00	EA
26.00	MW 0183510	SPRING WASHER	彈簧墊圈	M5	4.00	EA
27.00	MW 0103510	FLAT WASHER	平墊圈	M5	4.00	EA
28.00	NV 000599005A	BRACKET, UTILITY CARRIER	連動鏈座	L290xW107xH80	1.00	EA
29.00	MS 0103819	SOCKET HEAD CAP SCREW	六角穴圓頭螺絲	M8xP1.25xL25	3.00	EA
30.00	MW 0183810	SPRING WASHER	彈簧墊圈	M8	3.00	EA
31.02	NVA000599059A	COVER, HEADSTOCK RIGHT	主軸箱右側蓋	L1162xW759xH309.3	1.00	EA
32.00	MS 0303516	BUTTON HD. SOCKET	六角穴半圓頭螺絲	M5xP0.8xL12	4.00	EA
33.00	MW 0183510	SPRING WASHER	彈簧墊圈	M5	4.00	EA
34.00	NV 000599072A	COVER, HEADSTOCK RIGHT	主軸箱右蓋	L777xW166xH121.5	1.00	EA
35.00	MS 0103617	SOCKET HEAD CAP SCREW	六角穴圓頭螺絲	M6xP1.0xL16	3.00	EA
36.00	MW 0183610	SPRING WASHER	彈簧墊圈	M6	3.00	EA
37.00	NVA001021555A	COVER, PLATE	蓋板	L719.4xW274xH111.4	1.00	ST
38.00	MS 0103617	SOCKET HEAD CAP SCREW	六角穴圓頭螺絲	M6xP1.0xL16	6.00	EA
39.00	MW 0183610	SPRING WASHER	彈簧墊圈	M6	6.00	EA
41.00	MS 0103416	SOCKET HEAD CAP SCREW	六角穴圓頭螺絲	M4xP0.7xL12	4.00	EA
42.00	MW 0183410	SPRING WASHER	彈簧墊圈	M4	4.00	EA
43.00	MW 0103410	FLAT WASHER	平墊圈	M4x10Dx1T	4.00	EA
44.00	MW 0183510	SPRING WASHER	彈簧墊圈	M5	10.00	EA

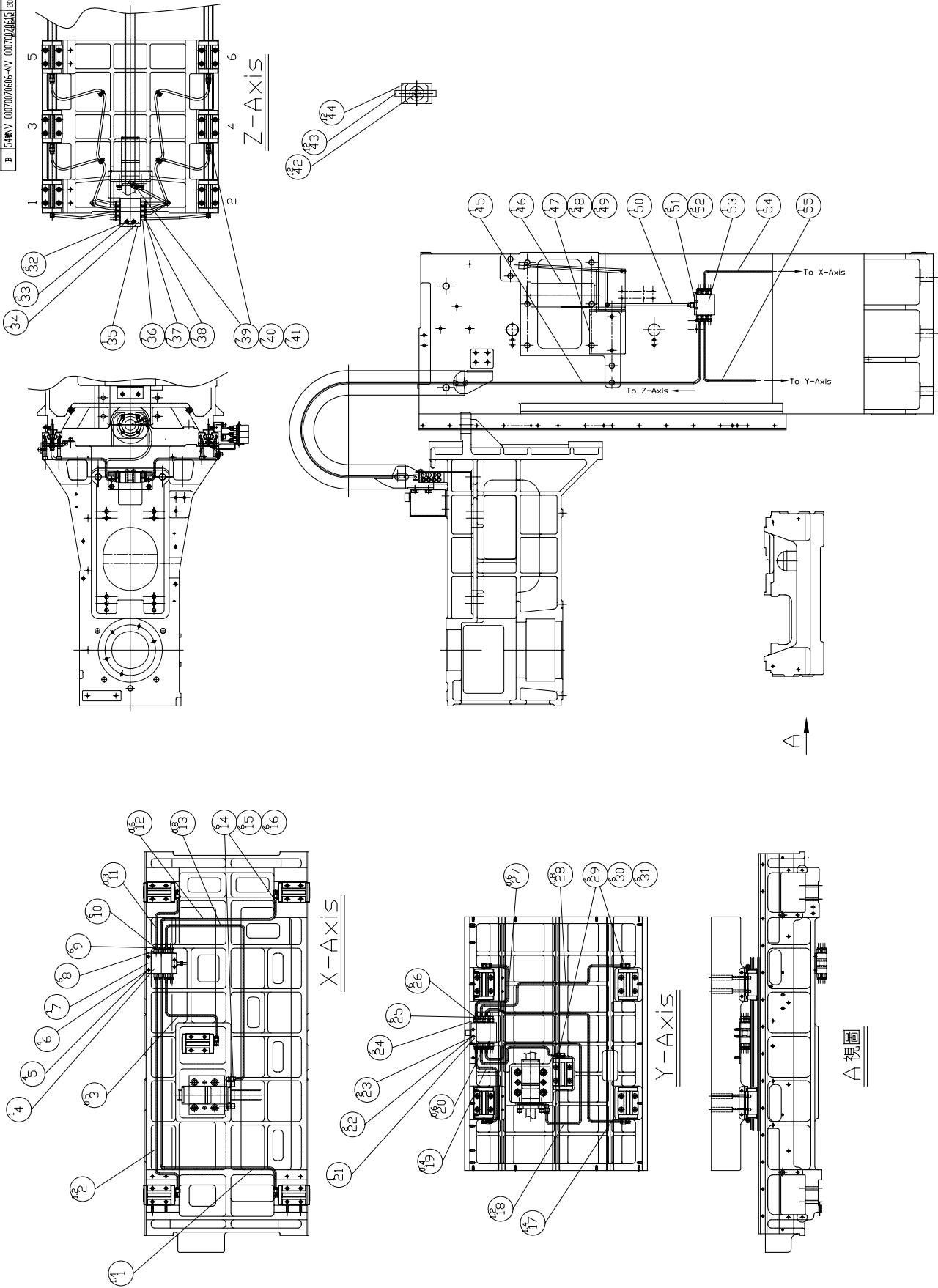
PRODUCT BOM MASTER AND SUB-ITEMS LIST

Item	Part NO.	Description	中文名稱	Specification	Qty	Unit
45.00	MS 0303516	BUTTON HD. SOCKET	六角穴半圓頭螺絲	M5xP0.8xL12	10.00	EA
46.00	NV 000599060A	COVER, HEADSTOCK FRONT	主軸箱前蓋	L1052.3xW372xH27.3	1.00	EA
47.00	NV 000599057A	COVER, HEADSTOCK	蓋子	L278xW278xH2.3	1.00	EA
48.00	MS 0303516	BUTTON HD. SOCKET	六角穴半圓頭螺絲	M5xP0.8xL12	4.00	EA
49.00	MW 0183510	SPRING WASHER	彈簧墊圈	M5	4.00	EA
50.00	MW 0103510	FLAT WASHER	平墊圈	M5	4.00	EA
51.00	NV 001011528A	COVER, COLUMN BACK	主柱後蓋	D140XL2.3	1.00	EA
52.00	MS 0303617	BUTTON HD. SOCKET	六角穴半圓頭螺絲	M6xP1.0xL16	2.00	EA
53.00	MW 0183610	SPRING WASHER	彈簧墊圈	M6	2.00	EA
54.00	NV 000199055A	COVER, COLUMN REAR	立柱蓋板	L1030XW349XL2.3	1.00	EA
55.00	MS 0303516	BUTTON HD. SOCKET	六角穴半圓頭螺絲	M5xP0.8xL12	8.00	EA
56.00	MW 0183510	SPRING WASHER	彈簧墊圈	M5	8.00	EA
57.00	MW 0103510	FLAT WASHER	平墊圈	M5	8.00	EA
58.00	MS 0103617	SOCKET HEAD CAP SCREW	六角穴圓頭螺絲	M6xP1.0xL16	9.00	EA
59.00	MW 0183610	SPRING WASHER	彈簧墊圈	M6	9.00	EA
60.00	MW 0103610	FLAT WASHER	平墊圈	M6(d6*D19*H2)	9.00	EA
61.00	NVA001011506A	WAYCOVER, Z-AXIS BOTTOM	Z軸下伸縮防護蓋	L884.5XW695XH125	1.00	ST
62.00	NV 000599065A	COVER, HEADSTOCK LEFT	主軸箱左側蓋	L847.5xW350xH189	1.00	EA
63.00	MS 0103518	SOCKET HEAD CAP SCREW	六角穴圓頭螺絲	M5xP0.8xL20	3.00	EA
64.00	MW 0183510	SPRING WASHER	彈簧墊圈	M5	3.00	EA
65.00	MW 0103510	FLAT WASHER	平墊圈	M5	3.00	EA
66.00	NV 000599080A	REAR SUPPORT, HEADSTOCK	主軸後支撐板	L615.2xW25xH21	1.00	EA
67.00	MS 0103618	SOCKET HEAD CAP SCREW	六角穴圓頭螺絲	M6xP1.0xL20	2.00	EA

PRODUCT BOM MASTER AND SUB-ITEMS LIST

Item	Part NO.	Description	中文名稱	Specification	Qty	Unit
68.00	MW 0183610	SPRING WASHER	彈簧墊圈	M6	2.00	EA
69.00	MW 0103610	FLAT WASHER	平墊圈	M6(d6*D19*H2)	2.00	EA
70.00	MS 0103617	SOCKET HEAD CAP SCREW	六角穴圓頭螺絲	M6xP1.0xL16	5.00	EA
71.00	MW 0183610	SPRING WASHER	彈簧墊圈	M6	5.00	EA
72.00	MW 0103610	FLAT WASHER	平墊圈	M6(d6*D19*H2)	5.00	EA

REV	DESCRIPTION	DATE	ECN
A	新設計	2006/9/20	
B	154HW 000707605-NV 000707605	2007/8/16	493



MODEL: VMC600/800/1000	
PART NAME	PART NUMBER
X, Y, Z AXIS LUBRICATION SYSTEM	NV 000004715A
X, Y, Z 潤滑系統	PAGE 1 OF 1
DATE 2006/9/20	REV. B
SCALE 1:17	
SUPPLY P/N	

PRODUCT BOM MASTER AND SUB-ITEMS LIST

Master Item Part NO.: NV 000004715A

 Description: XYZ-AXIS LUBRICATION SYSTEM
 XYZ軸油脂潤滑

Item	Part NO.	Description	中文名稱	Specification	Qty	Unit
1.00	NV 00070070301	TUBING, NYLON	尼龍油管	D6Xd4	1.40	MT
2.00	NV 00070070301	TUBING, NYLON	尼龍油管	D6Xd4	1.20	MT
3.00	NV 00070070301	TUBING, NYLON	尼龍油管	D6Xd4	.05	MT
4.00	NV 00002340110	CV-8 DISTRIBUTOR	CV-8單一循環分配器	CV-8 入D6-出D6,6 HOLE,直接頭	1.00	EA
5.00	MS 0103618	SOCKET HEAD CAP SCREW	六角穴圓頭螺絲	M6xP1.0xL20	4.00	EA
6.00	MW 0183610	SPRING WASHER	彈簧墊圈	M6	4.00	EA
7.00	NV 000799068A	BRACKET, Y-AXIS DISTRIBUTOR	Y軸分配器固定座	L60xW90xH5	1.00	EA
8.00	NV 00077031201	BUSHING, BRASS	卜申接頭	PT 1/8xM10xP1	6.00	EA
9.00	NV 00077031102	THIMBLE NUT, BRASS	套管帽	M10xΦ6.1	6.00	EA
10.00	NV 00069660401	THIMBLE, BRASS	套管	Φ6	6.00	EA
11.00	NV 00070070301	TUBING, NYLON	尼龍油管	D6Xd4	.30	MT
12.00	NV 00070070301	TUBING, NYLON	尼龍油管	D6Xd4	.60	MT
13.00	NV 00070070301	TUBING, NYLON	尼龍油管	D6Xd4	.80	MT
14.00	NV 00077030236	NIPPLE, STRAIGHT	直接頭	M6xP1(MALE)-PT 1/8(FEMALE)	6.00	EA
15.00	NV 00077031102	THIMBLE NUT, BRASS	套管帽	M10xΦ6.1	6.00	EA
16.00	NV 00069660401	THIMBLE, BRASS	套管	Φ6	6.00	EA
17.00	NV 00070070301	TUBING, NYLON	尼龍油管	D6Xd4	1.40	MT
18.00	NV 00070070301	TUBING, NYLON	尼龍油管	D6Xd4	1.20	MT
19.00	NV 00070070301	TUBING, NYLON	尼龍油管	D6Xd4	.40	MT
20.00	NV 00070070301	TUBING, NYLON	尼龍油管	D6Xd4	.60	MT

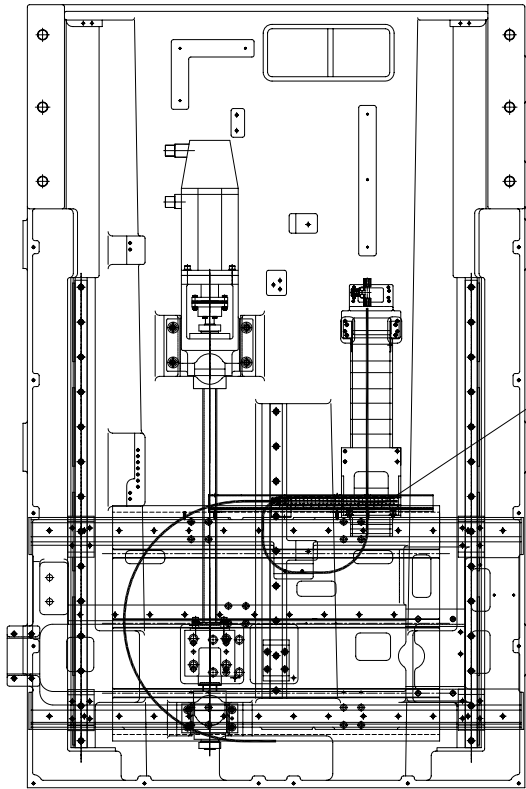
PRODUCT BOM MASTER AND SUB-ITEMS LIST

Item	Part NO.	Description	中文名稱	Specification	Qty	Unit
21.00	NV 00002340109	CV-8 DISTRIBUTOR	CV-8單一循環分配器	CV-8 入D6-出D6,6 HOLE,90° 接頭	1.00	EA
22.00	MS 0103618	SOCKET HEAD CAP SCREW	六角穴圓頭螺絲	M6xP1.0xL20	2.00	EA
23.00	MW 0183610	SPRING WASHER	彈簧墊圈	M6	2.00	EA
24.00	NV 00077031201	BUSHING, BRASS	卜申接頭	PT1/8xM10xP1	6.00	EA
25.00	NV 00077031102	THIMBLE NUT, BRASS	套管帽	M10xΦ6.1	6.00	EA
26.00	NV 00069660401	THIMBLE, BRASS	套管	Φ6	6.00	EA
27.00	NV 00070070301	TUBING, NYLON	尼龍油管	D6Xd4	.60	MT
28.00	NV 00070070301	TUBING, NYLON	尼龍油管	D6Xd4	.80	MT
29.00	NV 00077030236	NIPPLE, STRAIGHT	直接頭	M6xP1(MALE)-PT1/8(FEMALE)	6.00	EA
30.00	NV 00077031102	THIMBLE NUT, BRASS	套管帽	M10xΦ6.1	6.00	EA
31.00	NV 00069660401	THIMBLE, BRASS	套管	Φ6	6.00	EA
32.00	MW 0183610	SPRING WASHER	彈簧墊圈	M6	2.00	EA
33.00	MS 0103618	SOCKET HEAD CAP SCREW	六角穴圓頭螺絲	M6xP1.0xL20	2.00	EA
34.00	NV 00002340108	CV-8 DISTRIBUTOR	CV-8單一循環分配器	CV-8 入D6-出D6,7 HOLE,90° 接頭	1.00	EA
35.01	NV 000799064A	BRACKET, Z-AXIS DISTRIBUTOR	Z軸分配器固定座	L103xW59.5xH125	1.00	EA
36.00	NV 00077031201	BUSHING, BRASS	卜申接頭	PT1/8xM10xP1	7.00	EA
37.00	NV 00077031102	THIMBLE NUT, BRASS	套管帽	M10xΦ6.1	7.00	EA
38.00	NV 00069660401	THIMBLE, BRASS	套管	Φ6	7.00	EA
39.00	NV 00077030236	NIPPLE, STRAIGHT	直接頭	M6xP1(MALE)-PT1/8(FEMALE)	7.00	EA
40.00	NV 00077031102	THIMBLE NUT, BRASS	套管帽	M10xΦ6.1	7.00	EA
41.00	NV 00069660401	THIMBLE, BRASS	套管	Φ6	7.00	EA
42.00	MS 0333413	PAN HEAD PHILIPS SCREW	十字圓頭螺絲	M4xP0.7xL6	12.00	EA
43.00	NV 00108210000	CABLE TIE	繫線帶 (75mm) (KSS)	CV-075	12.00	EA

PRODUCT BOM MASTER AND SUB-ITEMS LIST

Item	Part NO.	Description	中文名稱	Specification	Qty	Unit
44.00	NV 00108210200	SADDLE TYPE TIE MOUNT	繫線固定座	HC-1 (KSS)	12.00	EA
45.00	NV 00070070608	NYLON TUBING, HIGH PRESSURE	超高壓尼龍油管	R200-02,M10xP1.0xL2.2Mx2端	1.00	EA
46.00	NV 000023402A	MANUAL GREASE INJECTION	CLHP-40-1手動黃油注油器	CLHP-40-1	1.00	EA
47.01	NV 000499093A	OIL INLET BRACKET	注油器固定座	L235xW130xH106	1.00	EA
48.00	MS 0103618	SOCKET HEAD CAP SCREW	六角穴圓頭螺絲	M6xP1.0xL20	2.00	EA
49.00	MW 0183610	SPRING WASHER	彈簧墊圈	M6	2.00	EA
50.00	NV 00070070609	NYLON TUBING, HIGH PRESSURE	超高壓尼龍油管	R200-02,M10xP1.0xL0.6Mx2端	1.00	EA
51.00	MS 0103618	SOCKET HEAD CAP SCREW	六角穴圓頭螺絲	M6xP1.0xL20	2.00	EA
52.00	MW 0183610	SPRING WASHER	彈簧墊圈	M6	2.00	EA
53.00	NV 00002340111	CV-6 DISTRIBUTOR	CV-6單一循環分配器	CV-6 入D6-出D6,3 HOLE,直接頭	1.00	EA
54.01	NV 00070070615	NYLON TUBING, HIGH PRESSURE	超高壓尼龍油管	R200-02,M10xP1.0xL5.5Mx2端(諭興)	1.00	EA
55.00	NV 00070070607	NYLON TUBING, HIGH PRESSURE	超高壓尼龍油管	R200-02,M10xP1.0xL4.2Mx2端	1.00	EA

REV	DESCRIPTION	DATE	ECN
A	新機	2007/8/16	493



8

7

6

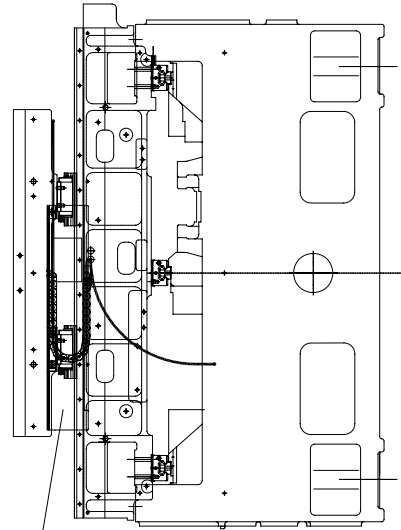
5

4

3

2

1



KIT

MODEL: GX 600

PART NAME X-AXIS LUBRICATION PIPING

PART NUMBER NV 000004721A

× 車油潤滑油管管路(集中打油)

DATE 2007/8/16

SCALE 1:18

REV. A

PAGE 1

DF 1

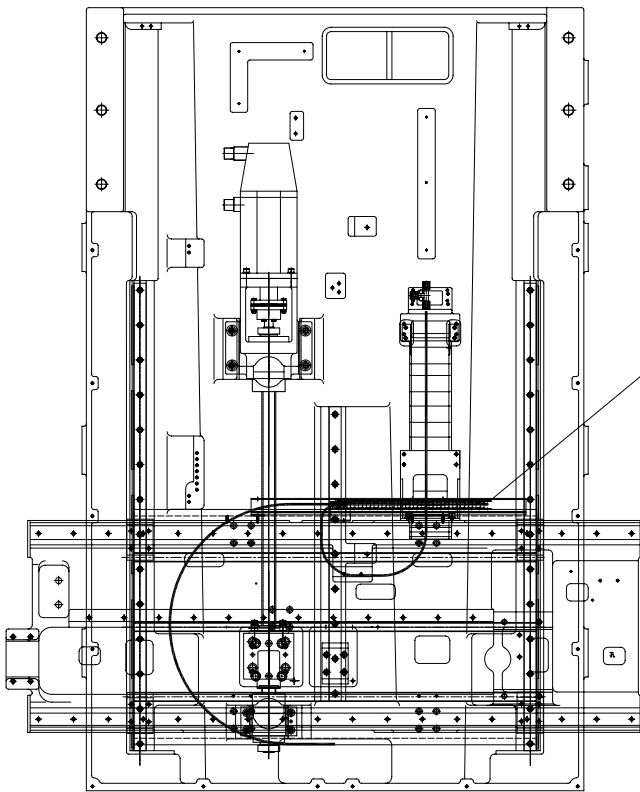
PRODUCT BOM MASTER AND SUB-ITEMS LIST

Master Item Part NO.: NV 000004721A

Description: X-AXIS LUBRICATION PIPING
X軸潤滑油管管路(集中打油)

Item	Part NO.	Description	中文名稱	Specification	Qty	Unit
1.00	NV 000899032A	GUIDE, UTILITY CARRIER	連動護管導軌	L520xW40xH20	1.00	EA
2.00	MS 0103515	SOCKET HEAD CAP SCREW	六角穴圓頭螺絲	M5xP0.8xL10	3.00	EA
3.00	MW 0183510	SPRING WASHER	彈簧墊圈	M5	3.00	EA
4.00	NV 000899033A	GUIDE, UTILITY CARRIER	連動護管座	L520xW52.3xH22.3	1.00	EA
5.00	MS 0303515	BUTTON HD. SOCKET	六角穴半圓頭螺絲	M5xP0.8xL10	2.00	EA
6.00	MW 0183510	SPRING WASHER	彈簧墊圈	M5	2.00	EA
7.00	NV 001162303A	UTILITY CARRIER, OPTICAL SCALE	連動護管(GX600光學尺使用)	[KYEC]CBC-00-13x13-56 (23P)	1.00	ST
8.00	MS 0303414	BUTTON HD. SOCKET	六角穴半圓頭螺絲	M4xP0.7xL8	4.00	EA
9.00	NV 00070070615	NYLON TUBING, HIGH PRESSURE	超高壓尼龍油管	R200-02,M10xP1.0xL5.5Mx2端(諭興)	1.00	EA

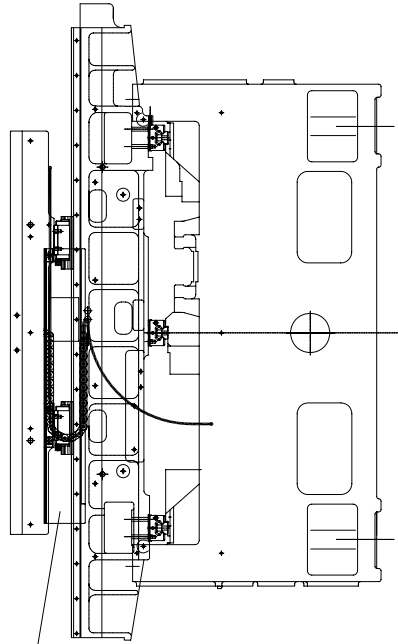
REV	DESCRIPTION	DATE	ECN
A	新機	2007/8/16	493



⑧ ⑦

③ ② ①

⑤ ④



KIT

MODEL: GX 800

PART NAME X-AXIS LUBRICATION PIPING

PART NUMBER NV 000004721B

× 車軸潤滑油管路(集中打油)

DATE 2007/8/16

SCALE 1:18

REV. A

ENDERK S.L.L.

PAGE 1 OF 1

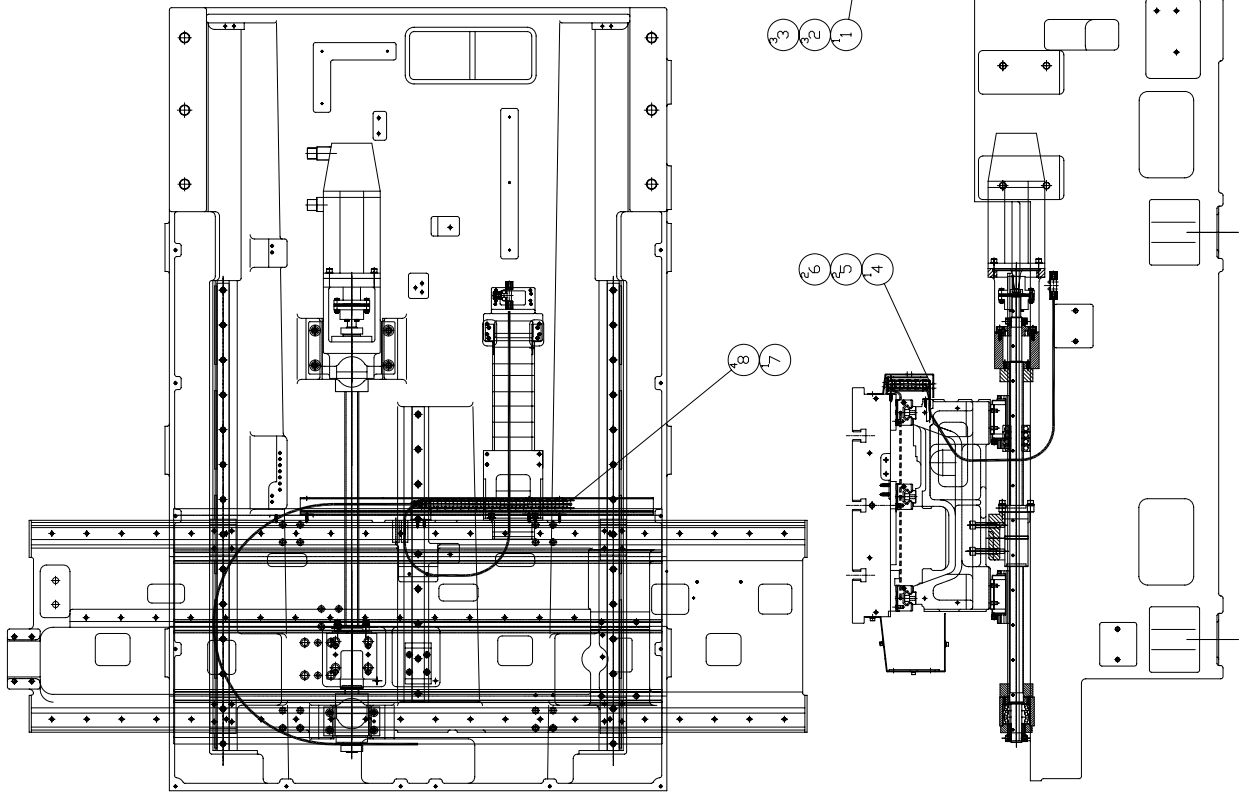
PRODUCT BOM MASTER AND SUB-ITEMS LIST

Master Item Part NO.: NV 000004721B

Description: X-AXIS LUBRICATION PIPING
X軸潤滑油管管路(集中打油)

Item	Part NO.	Description	中文名稱	Specification	Qty	Unit
1.00	NV 000899032A	GUIDE, UTILITY CARRIER	連動護管導軌	L520xW40xH20	1.00	EA
2.00	MS 0103515	SOCKET HEAD CAP SCREW	六角穴圓頭螺絲	M5xP0.8xL10	3.00	EA
3.00	MW 0183510	SPRING WASHER	彈簧墊圈	M5	3.00	EA
4.00	NV 000899033A	GUIDE, UTILITY CARRIER	連動護管座	L520xW52.3xH22.3	1.00	EA
5.00	MS 0303515	BUTTON HD. SOCKET	六角穴半圓頭螺絲	M5xP0.8xL10	2.00	EA
6.00	MW 0183510	SPRING WASHER	彈簧墊圈	M5	2.00	EA
7.00	NV 001162303B	UTILITY CARRIER, OPTICAL SCALE	連動護管(GX800光學尺使用)	[KYEC]CBC-00-13x13-56 (28P)	1.00	ST
8.00	MS 0303414	BUTTON HD. SOCKET	六角穴半圓頭螺絲	M4xP0.7xL8	4.00	EA
9.00	NV 00070070615	NYLON TUBING, HIGH PRESSURE	超高壓尼龍油管	R200-02,M10xP1.0xL5.5Mx2端(諭興)	1.00	EA

REV	DESCRIPTION	DATE	ECN
A	新機	2007/8/16	493



KIT

MODEL: GX 1000

PART NAME X-AXIS LUBRICATION PIPING
 集塵中打油一X軸潤滑油由管

PART NUMBER NV 000004721C

PAGE 1 OF 1

REV. A

SCALE 1:18

DATE 2007/8/16

ENDERK S.L.L.

PRODUCT BOM MASTER AND SUB-ITEMS LIST

Master Item Part NO.: NV 000004721C

Description: X-AXIS LUBRICATION PIPING
X軸潤滑油管路(集中打油)

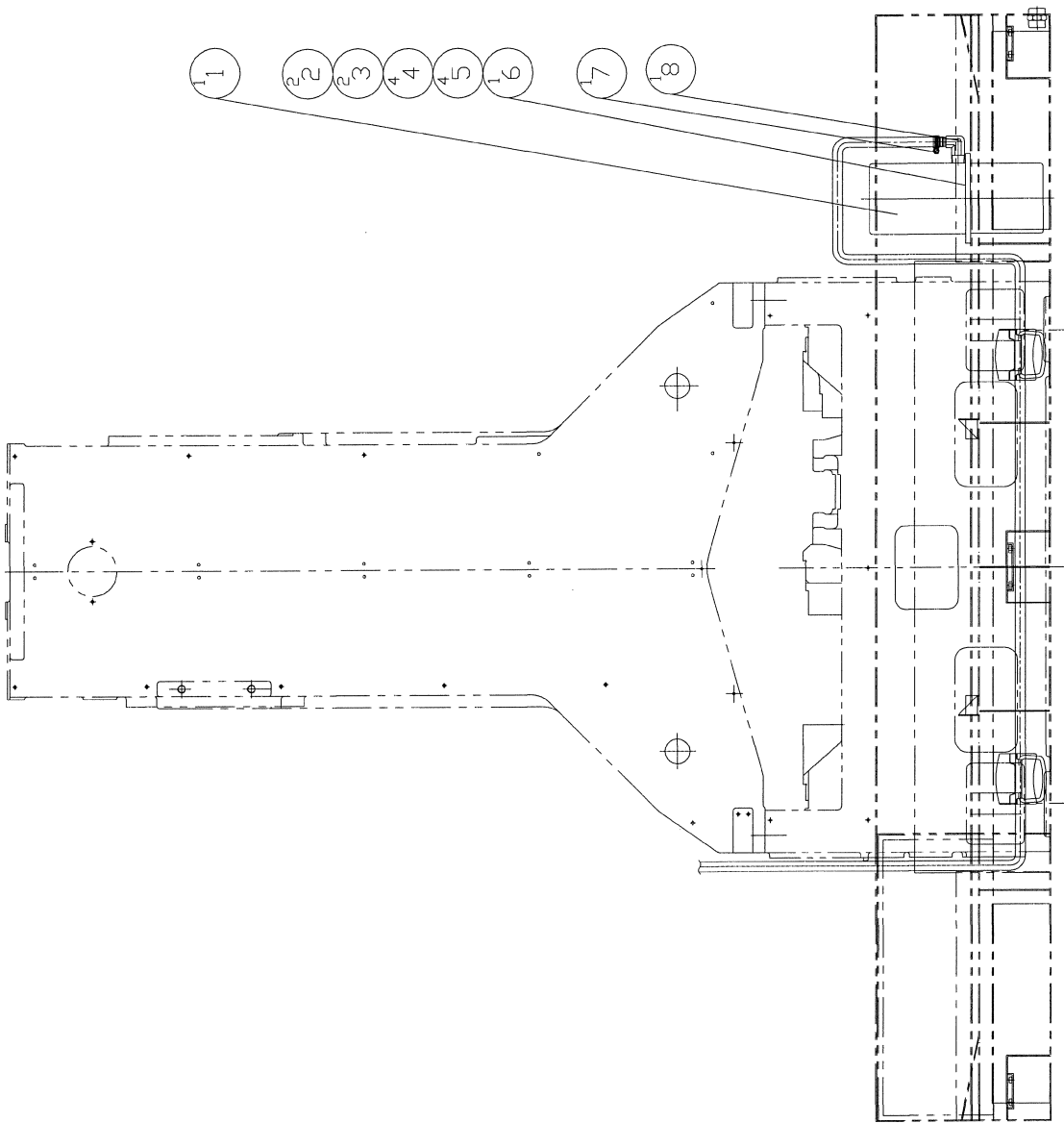
Item	Part NO.	Description	中文名稱	Specification	Qty	Unit
1.00	NV 000899032A	GUIDE, UTILITY CARRIER	連動護管導軌	L520xW40xH20	1.00	EA
2.00	MS 0103515	SOCKET HEAD CAP SCREW	六角穴圓頭螺絲	M5xP0.8xL10	3.00	EA
3.00	MW 0183510	SPRING WASHER	彈簧墊圈	M5	3.00	EA
4.00	NV 000899033A	GUIDE, UTILITY CARRIER	連動護管座	L520xW52.3xH22.3	1.00	EA
5.00	MS 0303515	BUTTON HD. SOCKET	六角穴半圓頭螺絲	M5xP0.8xL10	2.00	EA
6.00	MW 0183510	SPRING WASHER	彈簧墊圈	M5	2.00	EA
7.00	NV 001162303C	UTILITY CARRIER, OPTICAL SCALE	連動護管(GX1000光學尺使用)	[KYEC]CBC-00-13x13-56 (34P)	1.00	ST
8.00	MS 0303414	BUTTON HD. SOCKET	六角穴半圓頭螺絲	M4xP0.7xL8	4.00	EA
9.00	NV 00070070615	NYLON TUBING, HIGH PRESSURE	超高壓尼龍油管	R200-02,M10xP1.0xL5.5Mx2端(諭興)	1.00	EA

Chapter 3

切削水管路

Piping Parts

REV	DESCRIPTION	DATE	EDN
A	新仕様	2006/10/18	



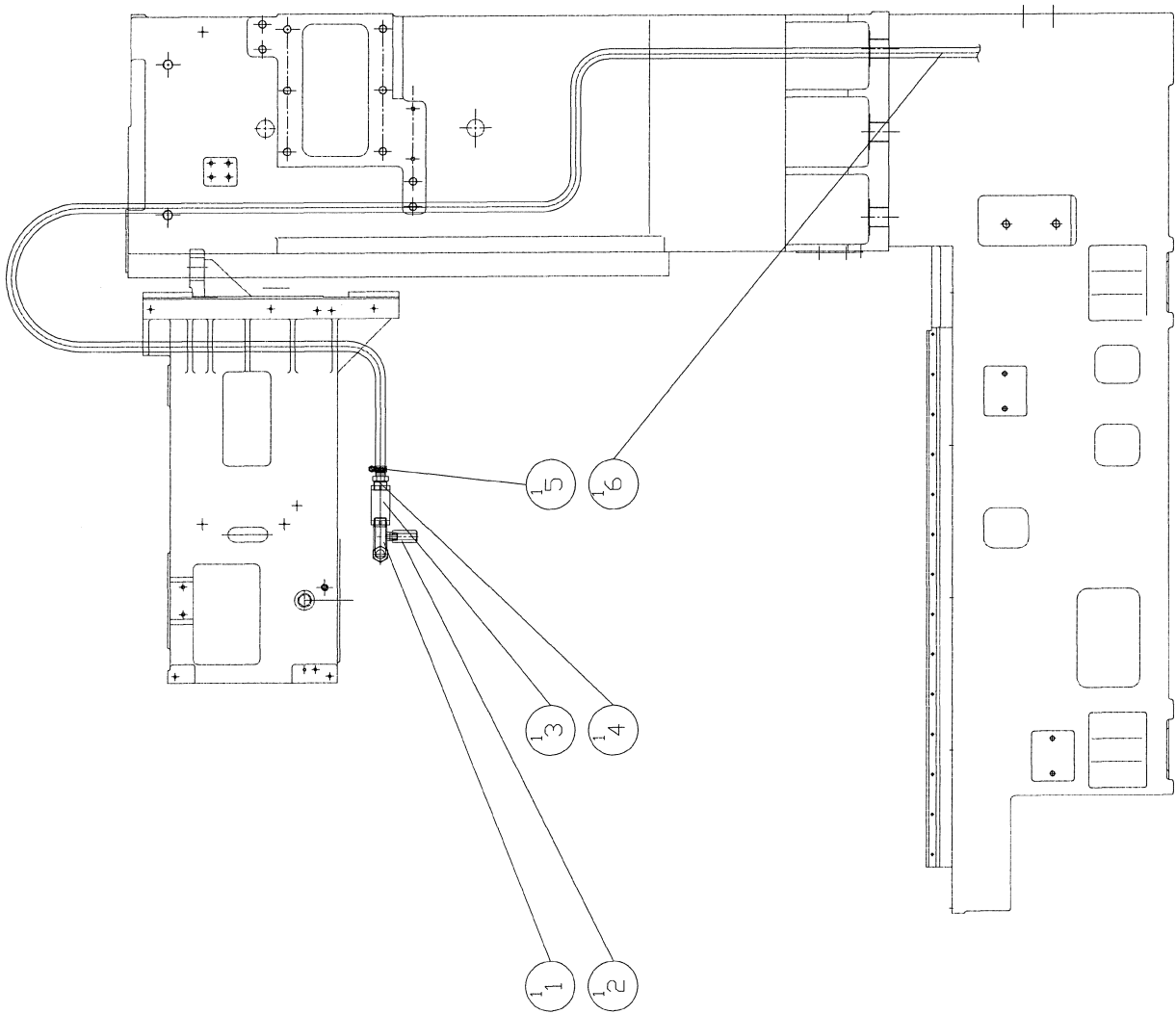
MODEL: VMC600/800/1000	PART NUMBER
PART NAME	NV 000331038A
STANDARD PIPING COMMON PARTS(40 PSI)	一般切測水管路共用件<40 PSI>
DATE 2006/10/18	SCALE 1:15
DATE 2006/10/18	REV. A
DATE 2006/10/18	PAGE 1 OF 1

PRODUCT BOM MASTER AND SUB-ITEMS LIST

Master Item Part NO.: NV 000331038A
Description: STANDARD PIPING COMMON PARTS
一般切削水管路共用件(40 psi)

Item	Part NO.	Description	中文名稱	Specification	Qty	Unit
1.00	BL 00033250101	PUMP, COOLANT	切削水泵浦	[GRUNDFOS] MTH4-20	1.00	ST
2.00	MN 0113810	HEXAGON NUT	六角螺帽	M8xP1.25	2.00	EA
3.00	MS 0353818	Wing Screw	翼型螺絲	M8xP1.25xL20	2.00	EA
4.00	MW 0183610	SPRING WASHER	彈簧墊圈	M6	4.00	EA
5.00	MS 0103617	SOCKET HEAD CAP SCREW	六角穴圓頭螺絲	M6xP1.0xL16	4.00	EA
6.00	BL 000299024A	COVER	蓋板	L220xd145xH5	1.00	EA
7.00	NV 00069660301	CLAMP, HOSE	不銹鋼管夾	11/4"	1.00	EA
8.00	NV 00077030506	CONNECTOR, 90 DEGREE	90度插心接頭	PT3/4"X φ 3/4"	1.00	EA

REV	DESCRIPTION	DATE	ECN
A	新規	2006/10/18	



配合共用件NV 000331038A

MODEL	VMC600
PART NAME	STANDARD PIPING PARTS(40 PSI)
PART NUMBER	NV 000331041A
DATE	2006/10/18
ENTERED BY	PHL
SCALE	1:1.5
REV.	A
PAGE	1 OF 1

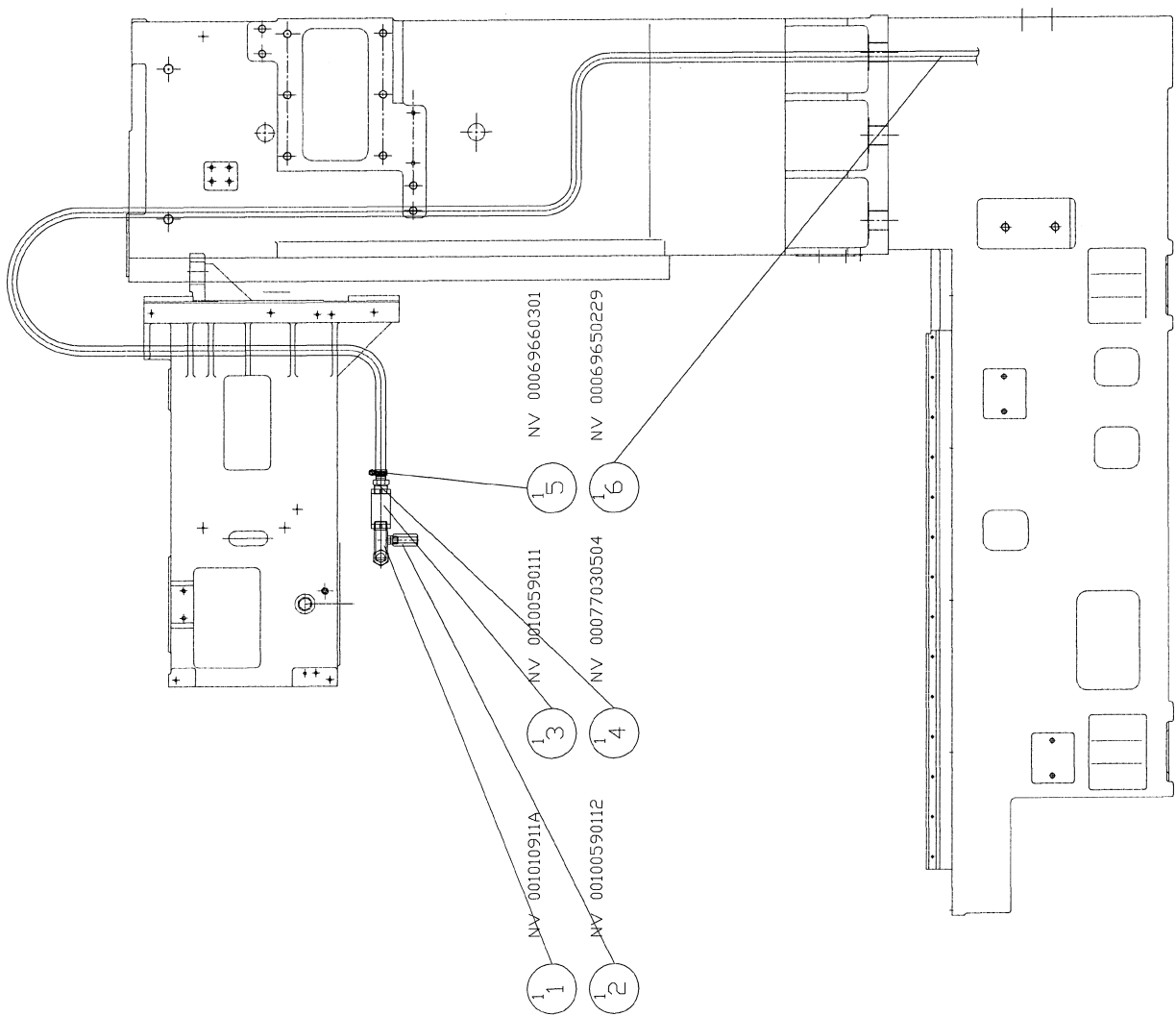
PRODUCT BOM MASTER AND SUB-ITEMS LIST

Master Item Part NO.: NV 000331041A

Description: STANDARD PIPING PARTS
一般切削水管路(40 psi)

Item Part NO.	Description	中文名稱	Specification	Qty	Unit
1.00 NV 001010911A	MULTIPLY ADAPTER	多向接頭	PT3/4Xpt3/4Xpt3/8x89.7L	1.00	EA
2.00 NV 00100590112	CHECK VALVE, AIR	風壓逆止閥	PT3/8(CV-03)	1.00	EA
3.00 NV 00100590111	CHECK VALVE	逆止閥	[TA SHIN] PT3/4"(PRESSURE 0.3	1.00	EA
4.00 NV 00077030504	CONNECTOR	插心直接頭	PT3/4"XΦ 3/4"	1.00	EA
5.00 NV 00069660301	CLAMP, HOSE	不銹鋼管夾	1 1/4"	1.00	EA
6.00 NV 00069650199	HOSE, FLEXIBLE HYDRAULIC	耐油橡膠管	3/4"-1Bx8kg/cm2(L-3.8m)	1.00	EA

REV	DESCRIPTION	DATE	ECN
A	新規	2006/12/18	



配合共用件 NV 000331038A

MODEL: VMC800/1000	
PART NAME	PART NUMBER
STANDARD PIPING PARTS(40 PSI)	NV 000331041B
一般切削水管路<40 PSI>	PAGE 1 OF 1
DATE: 2006/10/18	SCALE: 1:15
ENTERKIN PH	REV: A

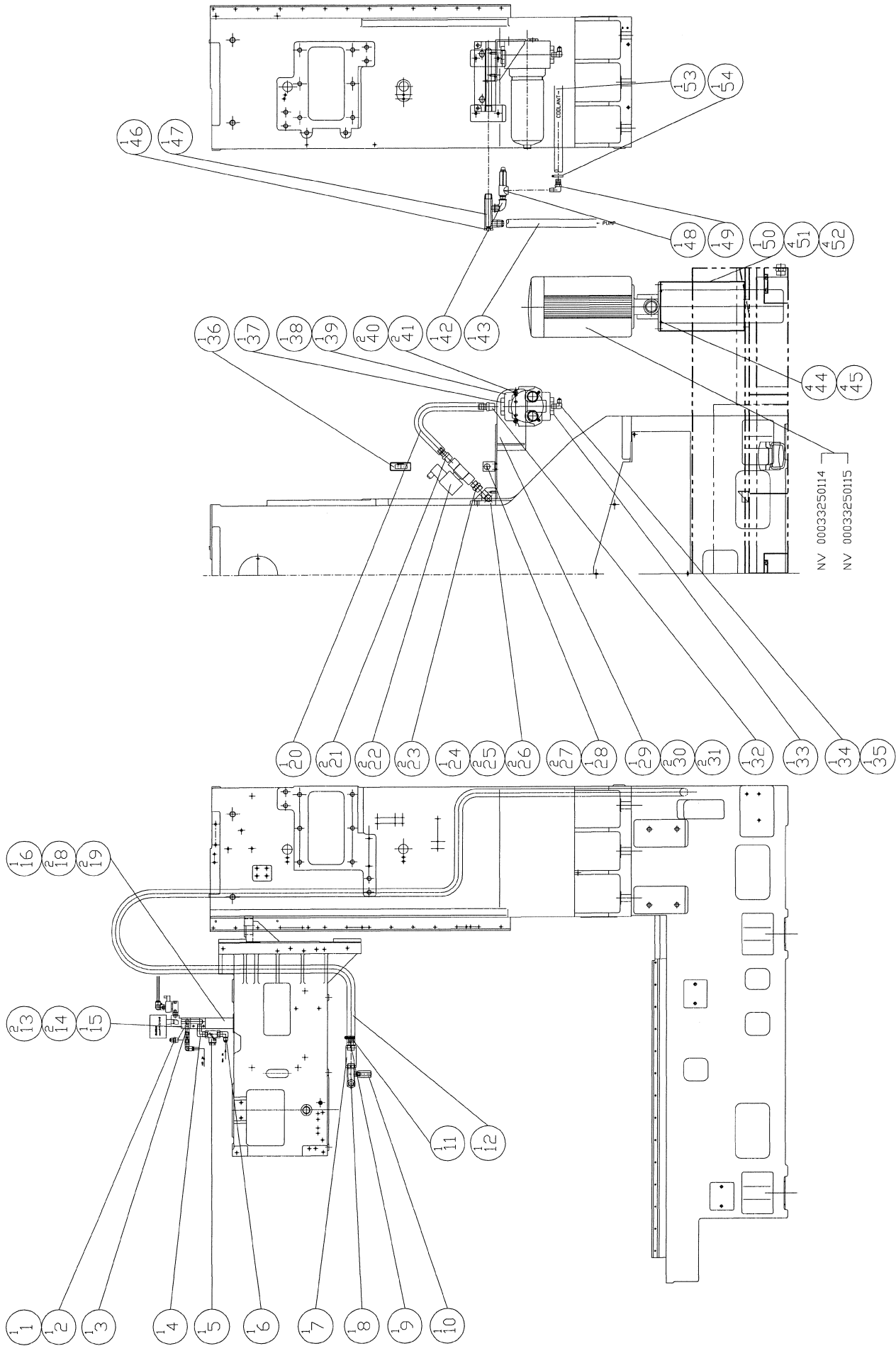
PRODUCT BOM MASTER AND SUB-ITEMS LIST

Master Item Part NO.: NV 000331041B

Description: STANDARD PIPING PARTS
一般切割水管路(40 psi)

Item Part NO.	Description	中文名稱	Specification	Qty	Unit
1.00 NV 001010911A	MULTIPLY ADAPTER	多向接頭	PT3/4Xpt3/4Xpt3/8x89.7L	1.00	EA
2.00 NV 00100590112	CHECK VALVE, AIR	風壓逆止閥	PT3/8(CV-03)	1.00	EA
3.00 NV 00100590111	CHECK VALVE	逆止閥	[TA SHIN] PT3/4"(PRESSURE 0.3	1.00	EA
4.00 NV 00077030504	CONNECTOR	插心直接頭	PT3/4"XΦ 3/4"	1.00	EA
5.00 NV 00069660301	CLAMP, HOSE	不銹鋼管夾	1 1/4"	1.00	EA
6.00 NV 00069650229	HOSE, FLEXIBLE HYDRAULIC	耐油橡膠管	3/4"-1Bx8kg/cm2x6.4M	1.00	EA

REV	DESCRIPTION	DATE	ECN
A		2006/10/18	



MODEL: VMC600/800/1000	PART NUMBER
PART NAME	NV 000331040A
CTS PIPING PARTS<280 PSI>	PAGE 1 OF 1
中心給水切替水配路<280 PSI>	REV. A
DATE 2006/10/18	SCALE 1:20
ENGINEER	
DRAWER	

PRODUCT BOM MASTER AND SUB-ITEMS LIST

Master Item Part NO.: NV 000331040A

Description: CTS PIPING (GRUNDFOS 280 psi)
中心給水切削水管路(葛蘭富280psi)

Item	Part NO.	Description	中文名稱	Specification	Qty	Unit
1.00	NV 00069650104	HOSE, FLEXIBLE HYDRAULIC	耐油橡膠管	HOSE 9/16-18UNFX670L(135 degree)	1.00	EA
2.00	NV 00077030208	NIPPLE, STRAIGHT	直接頭	PT3/8x9/16-18UNF	1.00	EA
3.00	NV 00077030206	NIPPLE, STRAIGHT	立布管	PT1/4"XPT1/4"X30L(P012)	1.00	EA
4.00	NV 00077031505	ELBOW, 90 DEG MALE	90度肘管接頭	PT1/2"(male)XPT3/8"(male)	1.00	EA
5.00	NV 00100590103	CHECK VALVE, COOLANT	切削水逆止閥	PT1/2	1.00	EA
6.00	NV 00077031506	ELBOW, 90 DEG MALE	90度肘管接頭(擴內孔搭@特殊件)	PT1/2"maleX9/16"-18UNFmale擴孔嘴	1.00	EA
7.00	NV 00100590111	CHECK VALVE	逆止閥	[TA SHIN] PT3/4"(PRESSURE 0.3	1.00	EA
8.00	NV 001010911A	MULTIPLX ADAPTER	多向接頭	PT3/4Xpt3/4Xpt3/8x89.7L	1.00	EA
9.00	NV 00077030504	CONNECTOR	插心直接頭	PT3/4"XΦ3/4"	1.00	EA
10.00	NV 00100590112	CHECK VALVE, AIR	風壓逆止閥	PT3/8(CV-03)	1.00	EA
11.00	NV 00069660304	CLAMP, HOSE (20kg/cm^2)	不銹鋼管夾(20kg/cm^2)	1 1/4"	1.00	EA
12.00	NV 00069650229	HOSE, FLEXIBLE HYDRAULIC	耐油橡膠管	3/4"-1Bx8kg/cm2x6.4M	1.00	EA
13.00	MS 0103617	SOCKET HEAD CAP SCREW	六角穴圓頭螺絲	M6xP1.0xL16	2.00	EA
14.00	MW 0183610	SPRING WASHER	彈簧墊圈	M6	2.00	EA
15.00	NV 001066112A	MANIFOLD, THRU SPD COOLANT	水氣轉換架	L86XW25XH38	1.00	EA
16.00	NVA000199093A	BRACKET, MANIFOLD CTS	水氣轉換支撐架	L186XW28XH53	1.00	EA
18.00	MS 0103617	SOCKET HEAD CAP SCREW	六角穴圓頭螺絲	M6xP1.0xL16	2.00	EA
19.00	MW 0183610	SPRING WASHER	彈簧墊圈	M6	2.00	EA
20.00	NV 00069650179	HOSE, FLEXIBLE HYDRAULIC	耐油橡膠管	R1-1 1/16-12UNFx0.4m	1.00	EA
21.00	NV 00077030234	CONNECTOR	直接頭	PT3/4"x1 1/16-12UNF	2.00	EA

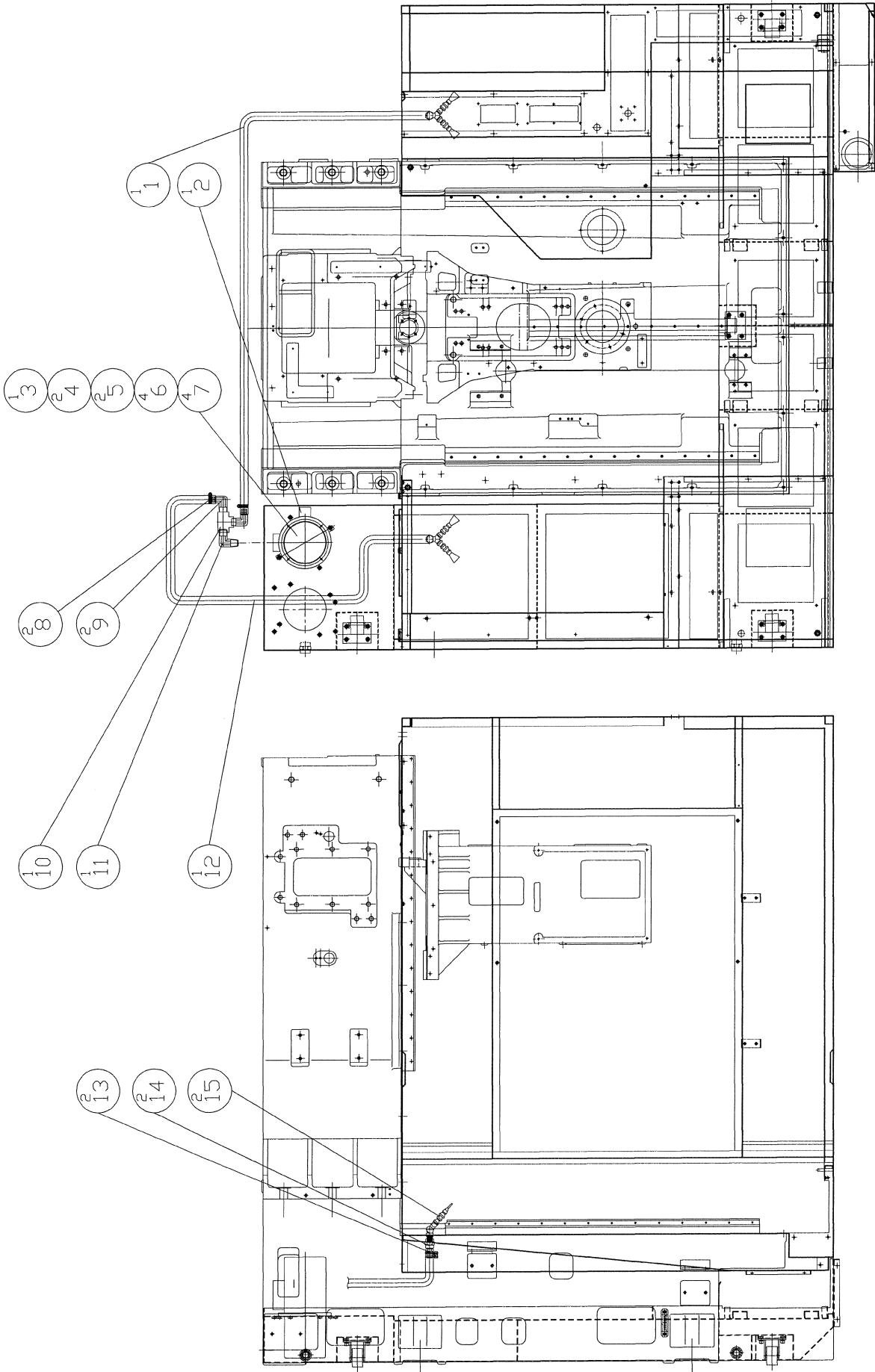
PRODUCT BOM MASTER AND SUB-ITEMS LIST

Item	Part NO.	Description	中文名稱	Specification	Qty	Unit
22.00	NV 00100590113	3/4-SOLENOID	二口二位電磁閥	3/4-110V (20kg/cm ²)	2.00	ST
23.00	NV 00077030207	CONNECTOR, STRAIGHT	直接頭	PT3/4"XPT3/4"	2.00	EA
24.00	NV 001066111A	BRACKET, COOLANT VALVE	冷卻水閥固定架(中心給水)	L254XW62XH76.2	1.00	EA
25.00	MS 0104020	SOCKET HEAD CAP SCREW	六角穴圓頭螺絲	M10xP1.5xL30	2.00	EA
26.00	MW 0184010	SPRING WASHER	彈簧墊圈	M10	2.00	EA
27.00	MS 0103615	SOCKET HEAD CAP SCREW	六角穴圓頭螺絲	M6xP1.0xL10	2.00	EA
28.00	NV 000199064A	SUPPORT, SILENCER	消音器座	L35XW45XH25	1.00	EA
29.00	NVB000199091A	BRACKET,FILTER	過濾器支撐架	L397.8xW150xH110	1.00	EA
30.00	MS 0103819	SOCKET HEAD CAP SCREW	六角穴圓頭螺絲	M8xP1.25xL25	2.00	EA
31.00	MW 0183810	SPRING WASHER	彈簧墊圈	M8	2.00	EA
32.00	NV 00077030234	CONNECTOR	直接頭	PT3/4"x1 1/16-12UNF	1.00	EA
33.00	NV 00077031217	BUSHING	卜申接頭	PT1-1/4"XPT3/8"	1.00	EA
34.00	NV 00077031504	ELBOW, 90 DEG MALE	90度肘管接頭	PT3/8"(male)X9/16"-18UNF(male)	1.00	EA
35.00	NV 00069650103	HOSE, FLEXIBLE HYDRAULIC	耐油橡膠管	HOSE 9/16-18UNFX5m	1.00	EA
36.00	NV 001030257A	TAG, COOLANT THROUGH SPINDLE	中心給水銘牌(英)	L76xW30	1.00	EA
37.00	NV 00077031216	BUSHING	卜申接頭	PT1-1/4"XPT3/4"	1.00	EA
38.00	NV 00116140114	FILTER BODY & FILTER, CTS	過濾器(本體+濾網)(CTS)	FLS 180/1 (FILTER CR 180/1)	1.00	ST
39.00	NV 00116140115	FILTER ELEMENT	濾網	[FLS] CR180/1	1.00	EA
40.00	MS 0103820	SOCKET HEAD CAP SCREW	六角穴圓頭螺絲	M8xP1.25xL30	2.00	EA
41.00	MW 0183810	SPRING WASHER	彈簧墊圈	M8	2.00	EA
42.00	NV 00077030302	ELBOW, CAST IRON, 90°, FEMALE	90度內雙螺紋肘管	PT1/2xPT1/2	1.00	EA
43.00	NV 00069650178	HOSE, FLEXIBLE HYDRAULIC	耐油橡膠管	R1-1 1/16-12UNFX1.8m	1.00	EA
44.00	MS 0103616	SOCKET HEAD CAP SCREW	六角穴圓頭螺絲	M6xP1.0xL12	4.00	EA

PRODUCT BOM MASTER AND SUB-ITEMS LIST

Item	Part NO.	Description	中文名稱	Specification	Qty	Unit
45.00	MW 0183610	SPRING WASHER	彈簧墊圈	M6	4.00	EA
46.00	NV 00077031702	PLUG, SOCKET HEX.	塞頭	PT1/4	1.00	EA
47.00	NVA001010913A	MULTIPLX ADAPTER	多向接頭	PT3/4Xpt1/2x1 1/16-12UNFxL132	1.00	EA
48.00	NV 00100590114	RELIEVE VALVE	洩載閥	PT1/2"x 20kg/cm^2	1.00	EA
49.00	NV 00077030509	CONNECTOR, 90 DEGREE	90度插心接頭	PT1/2"x φ 3/4"	1.00	EA
50.00	NV 000399092A	SEAT, COOLANT PUMP	切削水泵座	L228xW180xH306.3	1.00	EA
51.00	MS 0103818	SOCKET HEAD CAP SCREW	六角穴圓頭螺絲	M8xP1.25xL20	4.00	EA
52.00	MW 0183810	SPRING WASHER	彈簧墊圈	M8	4.00	EA
53.00	NV 00069650105	HOSE, FLEXIBLE HYDRAULIC	耐油橡膠管	3/4"-1Bx8kg/cm2(L 1.8 m)	1.00	MT
54.00	NV 00069660304	CLAMP, HOSE (20kg/cm^2)	不銹鋼管夾(20kg/cm^2)	1 1/4"	1.00	EA

REV	DESCRIPTION	DATE	ECN
A	家内機	2006/10/18	



MODEL: GX600	PART NUMBER	NV 000331039A
PART NAME	FLUSHING PIPING	
	沖/腐七刃前山水管路	
DATE 2006/10/18	SCALE 1:20	REV. A
ESTERK KIN PHIL	PAGE 1	DF 1

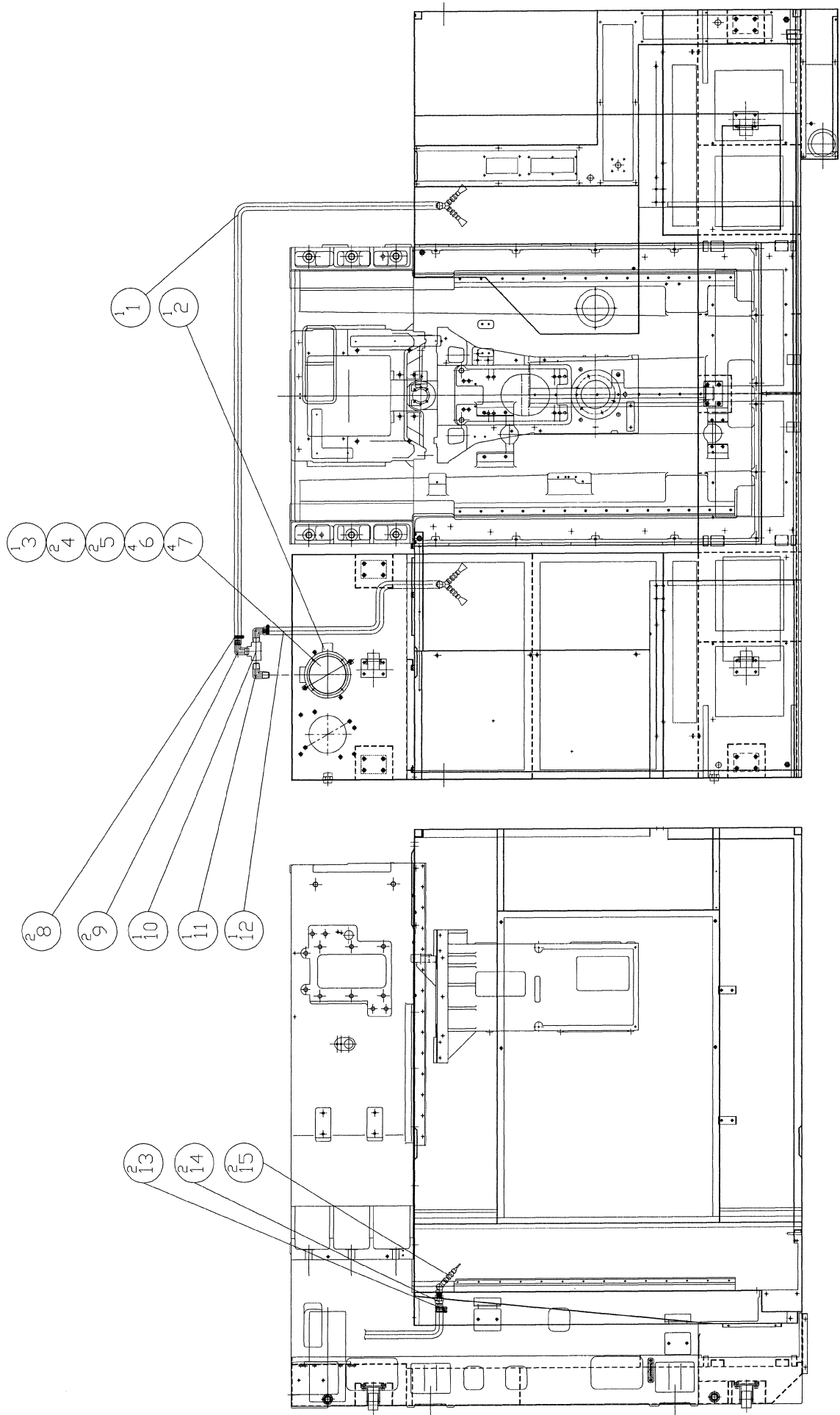
PRODUCT BOM MASTER AND SUB-ITEMS LIST

Master Item Part NO.: NV 000331039A

Description: FLUSHING PIPING
冲屑切削水管路

Item	Part NO.	Description	中文名稱	Specification	Qty	Unit
1.00	NV 00069650201	耐油橡膠管	耐油橡膠管	3/4"-1Bx8kg/cm2(L2.85m)	1.00	EA
2.00	BL 00033250101	PUMP, COOLANT	切削水泵浦	[GRUNDFOS] MTH4-20	1.00	ST
3.00	BL 000299024A	COVER	蓋板	L220xd145xH5	1.00	EA
4.00	MN 0113810	HEXAGON NUT	六角螺帽	M8xP1.25	2.00	EA
5.00	MS 0353818	Wing Screw	翼型螺絲	M8xP1.25xL20	2.00	EA
6.00	MW 0183610	SPRING WASHER	彈簧墊圈	M6	4.00	EA
7.00	MS 0103617	SOCKET HEAD CAP SCREW	六角穴圓頭螺絲	M6xP1.0xL16	4.00	EA
8.00	NV 00069660301	CLAMP, HOSE	不銹鋼管夾	1 1/4"	2.00	EA
9.00	NV 00077030502	CONNECTOR	插心直接頭	PT1"xΦ3/4"	2.00	EA
10.00	NV 00077030401	TEE UNION	內螺紋三通(鐵)	PT1"	1.00	EA
11.00	NV 00077031522	ELBOW, 90 DEG MALE	90度外雙螺紋肘管	PT3/4"XPT1"	1.00	EA
12.00	NV 00069650145	HOSE, FLEXIBLE HYDRAULIC	耐油橡膠管	3/4"-1Bx8kg/cm2x1.2M	1.00	EA
13.00	NV 00069660301	CLAMP, HOSE	不銹鋼管夾	1 1/4"	2.00	EA
14.00	NV 00077030503	CONNECTOR	插心直接頭	PT1 1/2"xΦ3/4"	2.00	EA
15.00	NV 00070110102	NOZZLE, COOLANT	冷卻水噴嘴	PT1/2"	2.00	ST

REV.	DESCRIPTION	DATE	ECN.
A	新仕様	2006/10/18	



MODEL: GX800/1000	PART NUMBER
FLUSHING PIPING	NV 000331039B
沖原セブシホキ管路	PAGE 1 OF 1
DATE 2006/10/18	REV. A
ENTERK KIN PHL	SCALE 1:22

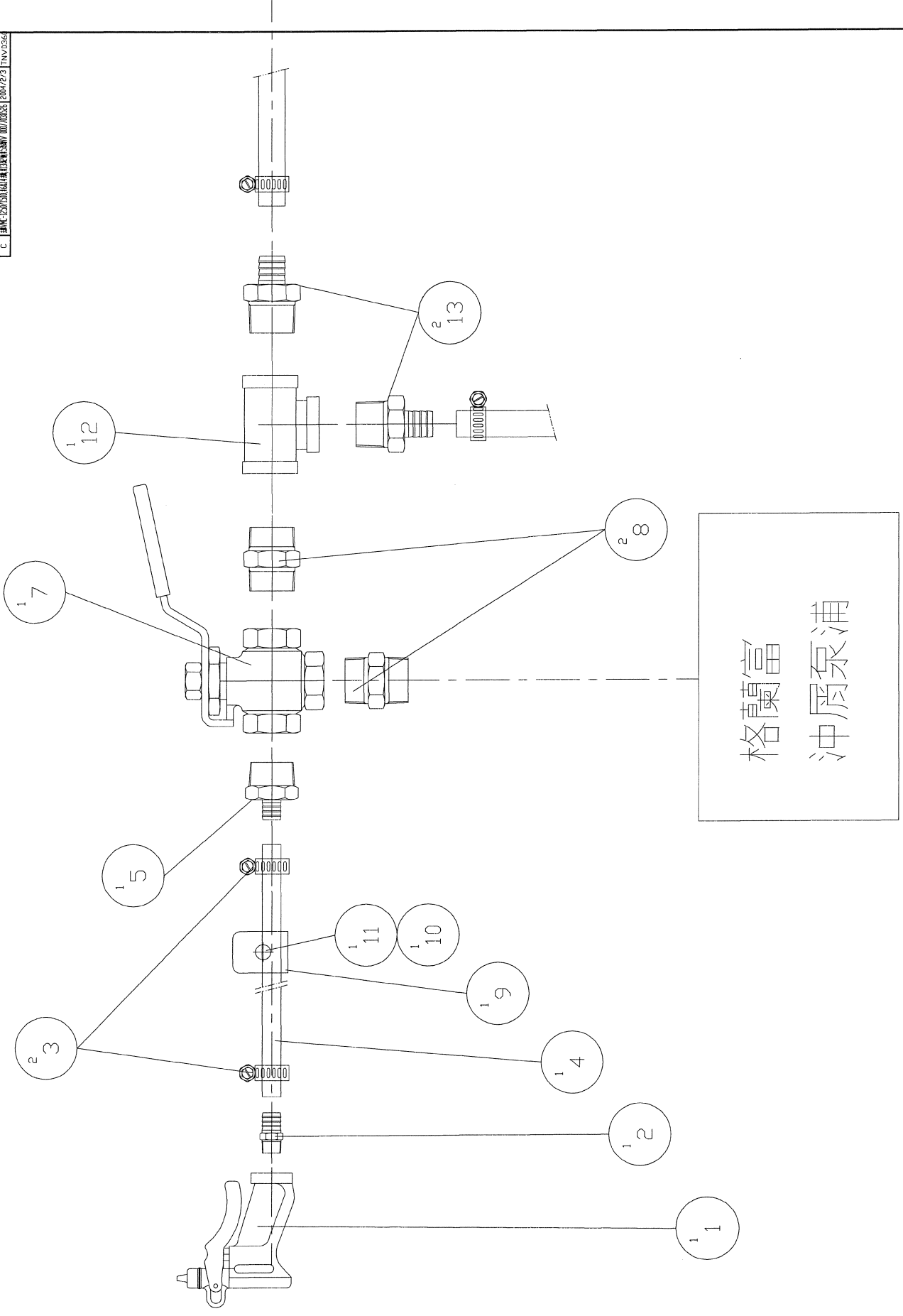
PRODUCT BOM MASTER AND SUB-ITEMS LIST

Master Item Part NO.: NV 000331039B

Description: FLUSHING PIPING
冲屑切削水管路

Item Part NO.	Description	中文名稱	Specification	Qty	Unit
1.00 NV 00069650192	HOSE, FLEXIBLE HYDRAULIC	耐油橡膠管	3/4"-1Bx8kg/cm2(L 3.4m)	1.00	EA
2.00 BL 00033250101	PUMP, COOLANT	切削水泵浦	[GRUNDFOS] MTH4-20	1.00	EA
3.00 BL 000299024A	COVER	蓋板	L220xd145xH5	1.00	EA
4.00 MN 0113810	HEXAGON NUT	六角螺帽	M8xP1.25	2.00	EA
5.00 MS 0353818	Wing Screw	翼型螺絲	M8xP1.25xL20	2.00	EA
6.00 MW 0183610	SPRING WASHER	彈簧墊圈	M6	4.00	EA
7.00 MS 0103617	SOCKET HEAD CAP SCREW	六角穴圓頭螺絲	M6xP1.0xL16	4.00	ST
8.00 NV 00069660301	CLAMP, HOSE	不銹鋼管夾	1 1/4"	2.00	EA
9.00 NV 00077030502	CONNECTOR	插心直接頭	PT1"xΦ3/4"	2.00	EA
10.00 NV 00077030401	TEE UNION	內螺紋三通(鐵)	PT1"	1.00	EA
11.00 NV 00077031522	ELBOW, 90 DEG MALE	90度外雙螺紋肘管	PT3/4"XPT1"	1.00	EA
12.00 NV 00069650145	HOSE, FLEXIBLE HYDRAULIC	耐油橡膠管	3/4"-1Bx8kg/cm2x1.2M	1.00	EA
13.00 NV 00069660301	CLAMP, HOSE	不銹鋼管夾	1 1/4"	2.00	EA
14.00 NV 00077030503	CONNECTOR	插心直接頭	PT1/2"xΦ3/4"	2.00	EA
15.00 NV 00070110102	NOZZLE, COOLANT	冷卻水噴嘴	PT1/2"	2.00	EA

REV	DESCRIPTION	DATE	ECN
B	機種/VC-1250/1500	2002/10/25	INV036
C	機種/VC-1250/1500/1600/1700/1800/1900/2000/2100	2004/2/3	INV036



MODEL	VMC600/800/1000
PART NAME	COOLANT WASH DOWN(MANUAL)
PART NUMBER	NV 000331005A
DATE	2000/8/16
SCALE	1:4
PAGE	1 OF 1
REV.	C

PRODUCT BOM MASTER AND SUB-ITEMS LIST

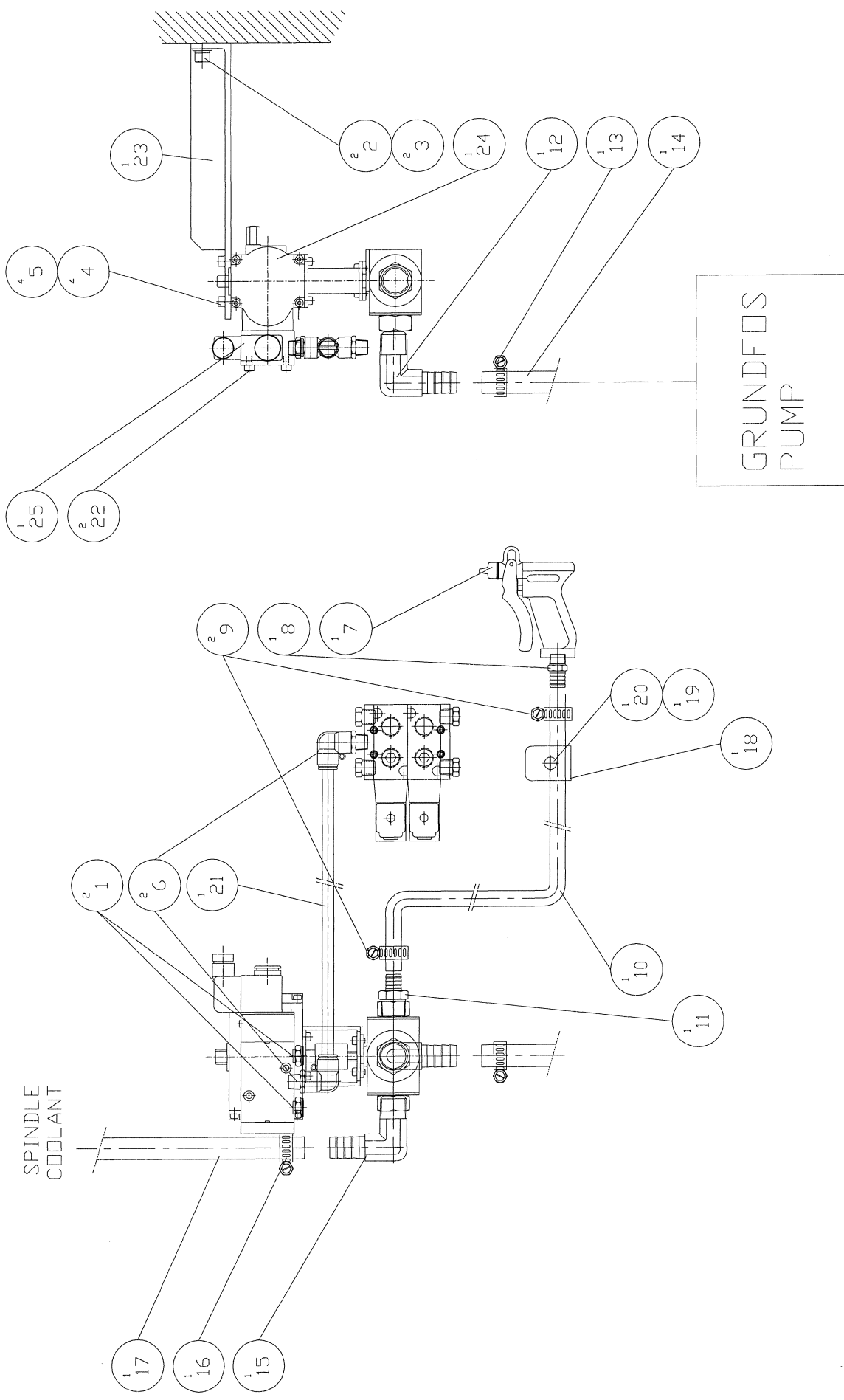
Master Item Part NO.: NV 000331005A

Description: COOLANT WASH DOWN(MANUAL)

切削水加裝噴槍沖屑(手動)

Item	Part NO.	Description	中文名稱	Specification	Qty	Unit
1.00	NV 01070350103	COOLANT GUN	切削水噴槍	PT1/4"	1.00	EA
2.00	NV 00077030511	CONNECTOR	插心直接頭	PT1/4"X ϕ 1/2"	1.00	EA
3.00	NV 00069660303	CLAMP, HOSE	不銹鋼管夾	7/8"	2.00	EA
4.00	NV 00069650118	HOSE, FLEXIBLE HYDRAULIC	耐油橡膠管	1/2"-1Bx8kg/cm2(L6M)	1.00	MT
5.00	NV 00077030526	CONNECTOR	插心直接頭	PT1"X ϕ 1/2"	1.00	EA
7.00	NV 00100590202	TEE BALL VALVE	T型球式閥	PT1"	1.00	EA
8.00	NV 00077030202	NIPPLE, STRAIGHT	直接頭	PT1"XPT1"	2.00	EA
9.00	NV 000399006A	BRACKET, OIL PIPE	油管固定座	L100xW40xH30	1.00	EA
10.00	MS 0103618	SOCKET HEAD CAP SCREW	六角穴圓頭螺絲	M6xP1.0xL20	1.00	EA
11.00	MW 0183610	SPRING WASHER	彈簧墊圈	M6	1.00	EA
12.00	NV 00077030401	TEE UNION	內螺紋三通(鐵)	PT1"	1.00	EA
13.00	NV 00077030502	CONNECTOR	插心直接頭	PT1"X ϕ 3/4"	2.00	EA

REV	DESCRIPTION	DATE	ECN
A		2006/6/14	B 4



只限用於 40PSI

MODEL: VMC600/800/1000	PART NUMBER
COOLANT WASH DOWN(AUTOMATIC)	NV 000331037A
切削水加壓噴槍(自動)	PAGE 1 OF 1
DATE 2006/6/14	REV. A
SCALE 1:5	

PRODUCT BOM MASTER AND SUB-ITEMS LIST

Master Item Part NO.: NV 000331037A

Description: COOLANT WASH DOWN(AUTO)40PSI
 切削水加裝噴槍沖屑(自動)40PSI

Item	Part NO.	Description	中文名稱	Specification	Qty	Unit
1.00	NV 00113350105	MUFFLER, BREATHER	消音器	PT1/4(SL-01Q)	2.00	EA
2.00	MS 0103818	SOCKET HEAD CAP SCREW	六角六圓頭螺絲	M8xP1.25xL20	2.00	EA
3.00	MW 0183810	SPRING WASHER	彈簧墊圈	M8	2.00	EA
4.00	NV 0100408	SOCKET HEAD SCREW	英制六角六圓頭螺絲	#10-24UNCxL1/2" SOCKET HEAD S	4.00	EA
5.00	MW 0183510	SPRING WASHER	彈簧墊圈	M5	4.00	EA
6.00	NV 00077030706	PRESTO ADAPTER, ELBOW	90度彎肘快速接頭	PT1/4xφ10(JPL10-02)	2.00	EA
7.00	NV 01070350103	COOLANT GUN	切削水噴槍	PT1/4"	1.00	EA
8.00	NV 00077030511	CONNECTOR	插心直接頭	PT1/4"Xφ1/2"	1.00	EA
9.00	NV 00069660303	CLAMP, HOSE	不銹鋼管夾	7/8"	2.00	EA
10.00	NV 00069650118	HOSE, FLEXIBLE HYDRAULIC	耐油橡膠管	1/2"-1Bx8kg/cm2(L6M)	1.00	MT
11.00	NV 00077030512	CONNECTOR	插心直接頭	PT1/2"Xφ1/2"	1.00	EA
12.00	NV 00077030509	CONNECTOR, 90 DEGREE	90度插心接頭	PT1/2"xφ3/4"	1.00	EA
13.00	NV 00069660301	CLAMP, HOSE	不銹鋼管夾	11/4"	1.00	EA
14.00	NV 00069650146	HOSE, FLEXIBLE HYDRAULIC	耐油橡膠管	3/4"-1Bx8kg/cm2x1.4M	1.00	EA
15.00	NV 00077030509	CONNECTOR, 90 DEGREE	90度插心接頭	PT1/2"xφ3/4"	1.00	EA
16.00	NV 00069660301	CLAMP, HOSE	不銹鋼管夾	11/4"	1.00	EA
17.00	NV 00069650192	HOSE, FLEXIBLE HYDRAULIC	耐油橡膠管	3/4"-1Bx8kg/cm2(L 3.4m)	1.00	EA
18.00	NV 000399006A	BRACKET, OIL PIPE	油管固定座	L100xW40xH30	1.00	EA
19.00	MS 0104016	SOCKET HEAD CAP SCREW	六角六圓頭螺絲	M10*P1.5*L12	1.00	EA
20.00	MW 0184010	SPRING WASHER	彈簧墊圈	M10	1.00	EA

PRODUCT BOM MASTER AND SUB-ITEMS LIST

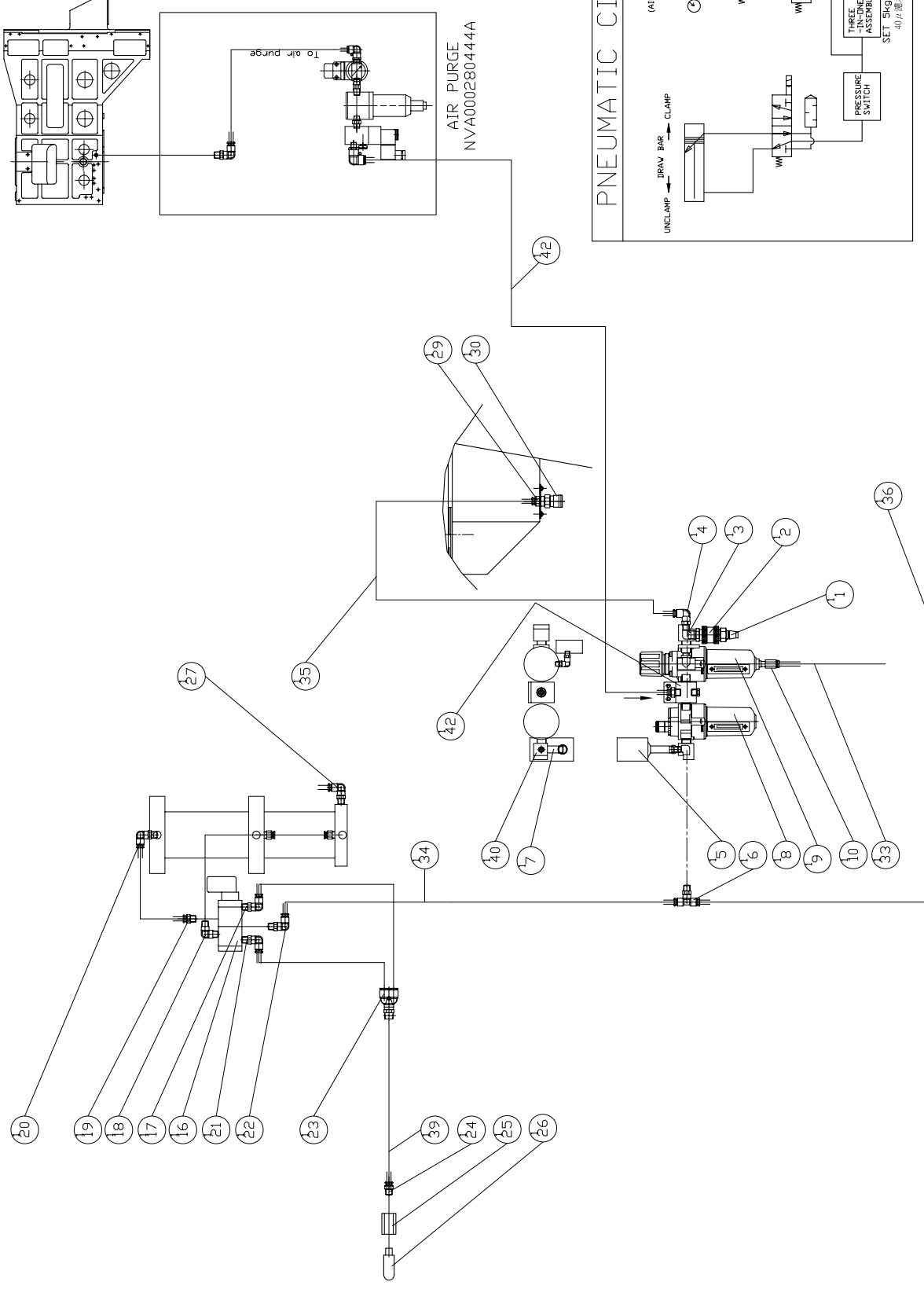
Item	Part NO.	Description	中文名稱	Specification	Qty	Unit
21.00	NV 00070070216	TUBING, PNEUMATIC	風壓用管	PU Φ10xΦ6.5(MINDMAN)1M	1.00	EA
22.00	MS 0103522	SOCKET HEAD CAP SCREW	六角穴圓頭螺絲	M5xP0.8xL40	2.00	EA
23.00	NV 000599033A	BRACKET, VALVE	托架	L240xW100xH35	1.00	ST
24.00	NV 00100590205	CYLINDR ACTUAT 3WAY BALL VALVE	複動式三通牙口球塞閥	PT 1/4" (PRESSURE 4-6 KG/CM2)	1.00	ST
25.00	NV 00030480112	PNEUMATIC SOLENOID VALVE	NAMUR 電磁閥	MVSN-300-4E1 (金器)	1.00	ST

Chapter 4

氣壓零組件

Pneumatic Parts

REV	DESCRIPTION	DATE	ECN
A	新設計	2007/1/17	
B	新機 NV_00107790304	2007/6/28	65E



MODEL: VMC600/800/1000	PART NUMBER	NVA000280430A
PART NAME	氣壓零組件 (固定件-無中心給水)	
DATE: 2007/1/17	ENTERK SHEET	SCALE: 1:12
		REV: B
		PAGE 1 OF 1

PRODUCT BOM MASTER AND SUB-ITEMS LIST

Master Item Part NO.: NVA000280430A

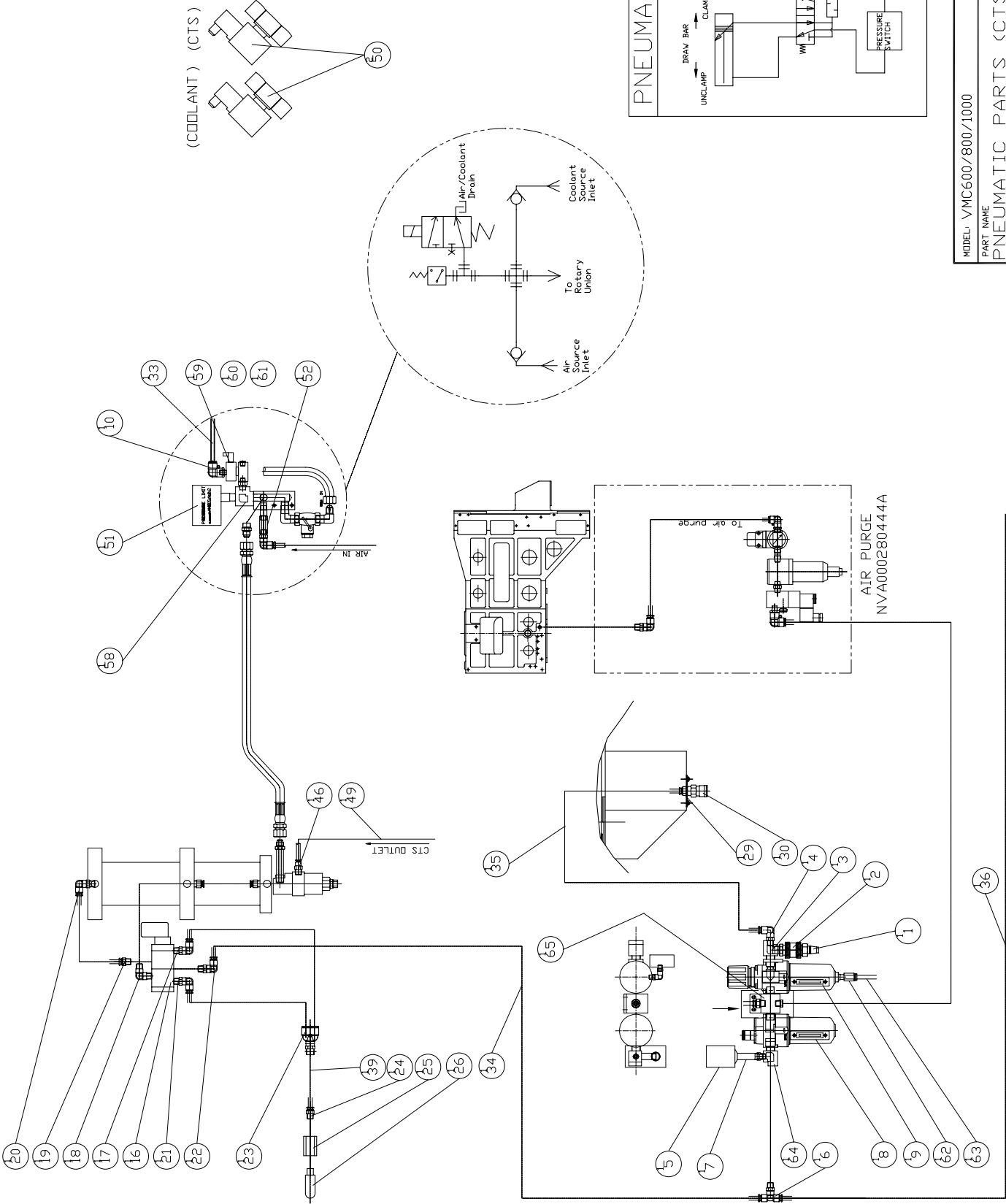
Description: PNEUMATIC PARTS(common-w/oCTS)
氣壓零組件(固定件-無中心給水)

Item	Part NO.	Description	中文名稱	Specification	Qty	Unit
1.00	NV 00077031401	PRESTO ADAPTER, STRAIGHT MALE(外牙直快速接頭(公)	PT3/8"(PM30)	1.00	EA
2.00	NV 00100590301	HAND SLIDE VALVE	滑動開關	PT3/8	1.00	EA
3.00	NV 00077031603	TEE ADAPTER, FEMALE&MALE	內外牙三通	PT3/8mxPT3/8fxPT3/8f(P104)	1.00	EA
4.00	NV 00077030701	PRESTO ADAPTER, ELBOW	90度彎肘快速接頭	PT3/8xφ8(JPL8-03)	1.00	EA
5.00	NV 00117360101	PRESSURE SWITCH(KP35)	壓力開關	0.2~7kg/cm2 1/4	1.00	EA
6.00	NV 00077031101	PRESTO ADAPTER, TEE	三通快速接頭	PT3/8xφ12	1.00	EA
7.00	NV 00077030220	PIPE	2吋牙管	PT1/4xPT1/4x2"L(WEU-02-2)	1.00	EA
8.00	NV 00107790113	FILTER/REGULATOR UNIT	三聯組合	MACP401-10A-D(Mindman)	1.00	EA
9.00	NV 00107790202	AUTOMATIC DRAIN WATER	自動排水器	MADV-400(500DM)	1.00	EA
10.00	NV 00077030801	STRAIGHT, PRESTO ADAPTER	直型快速接頭	PT1/8(F)Xφ8(JPG8-01)	1.00	EA
16.00	NV 00030480102	VALVE, 3/8 2 WAY PNEUMATIC	五口二位單線圈	3/8 SOLENOID VALVE 24V	1.00	EA
17.00	NV 00077030703	PRESTO ADAPTER, ELBOW	90度彎肘快速接頭	PT3/8xφ12	1.00	EA
18.00	NV 00077031515	ELBOW, 90 DEG MALE	90度外雙螺紋肘管	PT3/8"XPT3/8"	1.00	EA
19.00	NV 00077030803	STRAIGHT, PRESTO ADAPTER	直型快速接頭	PT3/8xφ12	1.00	EA
20.00	NV 00077030703	PRESTO ADAPTER, ELBOW	90度彎肘快速接頭	PT3/8xφ12	1.00	EA
21.00	NV 00077030703	PRESTO ADAPTER, ELBOW	90度彎肘快速接頭	PT3/8xφ12	1.00	EA
22.00	NV 00077030703	PRESTO ADAPTER, ELBOW	90度彎肘快速接頭	PT3/8xφ12	1.00	EA
23.00	NV 00077031001	PRESTO ADAPTER,Y	Y型快速接頭	Y φ12	1.00	EA
24.00	NV 00077030804	STRAIGHT, PRESTO ADAPTER	直型快速接頭	PT1/2xφ12	1.00	EA
25.00	NV 00077030606	UNION	直雙內牙接頭	PT1/2xPT3/8(P056)	1.00	EA

PRODUCT BOM MASTER AND SUB-ITEMS LIST

Item	Part NO.	Description	中文名稱	Specification	Qty	Unit
26.00	NV 00113350108	MUFFLER, BREATHER	消音器	PT3/8(MSR-03-B)	1.00	EA
27.00	NV 00077030705	PRESTO ADAPTER, ELBOW	90度彎肘快速接頭	PT1/8xφ8	1.00	EA
29.00	NV 00077030806	STRAIGHT, PRESTO ADAPTER	直型快速接頭	PT1/4Xφ8(JPC8-02)	1.00	EA
30.00	NV 00077030901	PRESTO ADAPTER, STRIGHT(female)	內牙直快速接頭(母)	PT1/4"(SF20)	1.00	EA
33.00	NV 00070070203	TUBING, PNEUMATIC	風壓用管	PU φ8xφ5(MINDMAN)1.2 M	1.00	EA
34.00	NV 00070070253	TUBING, PNEUMATIC	風壓用管	PU φ12xφ8(MINDMAN)4.15M	1.00	EA
35.00	NV 00070070273	TUBING, PNEUMATIC	風壓用管	PU φ8xφ5(MINDMAN)5.6 M	1.00	EA
36.00	NV 00070070205	TUBING, PNEUMATIC	風壓用管	PU φ12xφ8(MINDMAN)0.7 M	1.00	EA
39.00	NV 00070070274	TUBING, PNEUMATIC	風壓用管	PU φ12xφ8(MINDMAN)4.7 M	1.00	EA
40.00	NV 00077031601	TEE ADAPTER, FEMALE&MALE	內外牙三通	PT3/8mxPT3/8fxPT1/4f	1.00	EA
42.00	NV 00107790304	CROSS UNION(FILTER/REGULATOR U	三聯組合用四通閥	P101-2(Mindman),PT1/4"x2	1.00	EA

REV	DESCRIPTION	DATE	ECN
A	新形	2007/1/17	
B	新増 NV_00107790304	2007/6/28	65E



MODEL: VMC600/800/1000	PART NAME	PART NUMBER
	PNEUMATIC PARTS (CTS)	NVA000280432A
	氣壓零組件 (固定件-中心給水)	
DATE: 2007/1/17	ENDERK P.H.N.	SCALE: 1:12
		REV: B
		PAGE 1 OF 1

PRODUCT BOM MASTER AND SUB-ITEMS LIST

Master Item Part NO.: NVA000280432A

Description: PNEUMATIC PARTS(CTS)

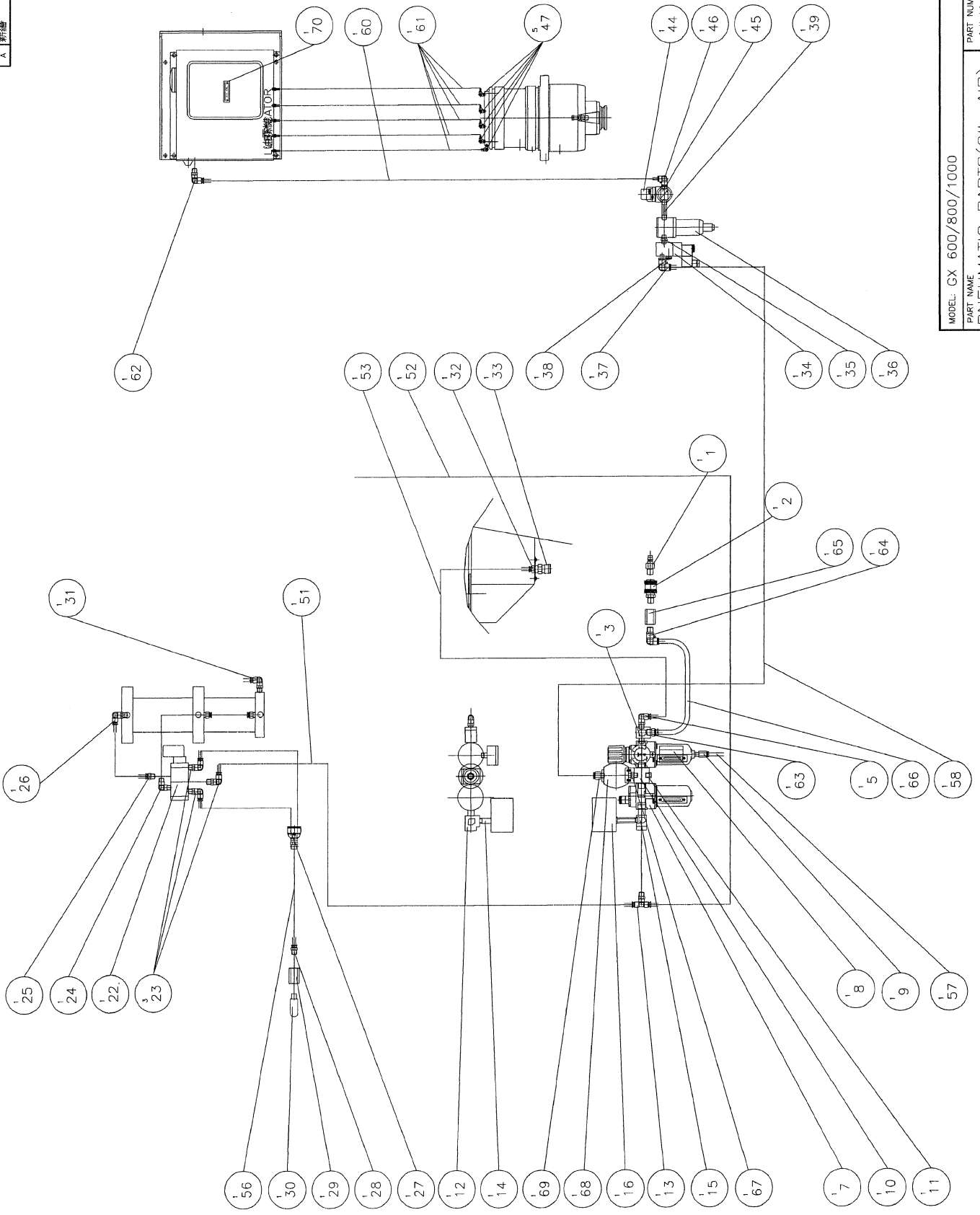
氣壓零組件(固定件-中心給水)

Item	Part NO.	Description	中文名稱	Specification	Qty	Unit
1.00	NV 00077031401	PRESTO ADAPTER, STRAIGHT MALE(外牙直快速接頭(公)	PT3/8"(PM30)	1.00	EA
2.00	NV 00100590301	HAND SLIDE VALVE	滑動開關	PT3/8	1.00	EA
3.00	NV 00077031603	TEE ADAPTER, FEMALE&MALE	內外牙三通	PT3/8mxPT3/8fxPT3/8f(P104)	1.00	EA
4.00	NV 00077030701	PRESTO ADAPTER, ELBOW	90度彎肘快速接頭	PT3/8xφ8(JPL8-03)	1.00	EA
5.00	NV 00117360101	PRESSURE SWITCH(KP35)	壓力開關	0.2~7kg/cm2 1/4	1.00	EA
6.00	NV 00077031101	PRESTO ADAPTER, TEE	三通快速接頭	PT3/8xφ12	1.00	EA
7.00	NV 00077030220	PIPE	2吋牙管	PT1/4xPT1/4x2"L(WEU-02-2)	1.00	EA
8.00	NV 00107790113	FILTER/REGULATOR UNIT	三聯組合	MACP401-10A-D(Mindman)	1.00	EA
9.00	NV 00107790202	AUTOMATIC DRAIN WATER	自動排水器	MADV-400(500DM)	1.00	EA
10.00	NV 00077032301	PRESTO ADAPTER, BLBOW	90度彎肘快速接頭	PF1/8"Xφ6	1.00	EA
16.00	NV 00030480102	VALVE, 3/8 2 WAY PNEUMATIC	五口二位單線圈	3/8 SOLENOID VALVE 24V	1.00	EA
17.00	NV 00077030703	PRESTO ADAPTER, ELBOW	90度彎肘快速接頭	PT3/8xφ12	1.00	EA
18.00	NV 00077031515	ELBOW, 90 DEG MALE	90度外雙螺紋肘管	PT3/8"XPT3/8"	1.00	EA
19.00	NV 00077030803	STRAIGHT, PRESTO ADAPTER	直型快速接頭	PT3/8xφ12	1.00	EA
20.00	NV 00077030703	PRESTO ADAPTER, ELBOW	90度彎肘快速接頭	PT3/8xφ12	1.00	EA
21.00	NV 00077030703	PRESTO ADAPTER, ELBOW	90度彎肘快速接頭	PT3/8xφ12	1.00	EA
22.00	NV 00077030703	PRESTO ADAPTER, ELBOW	90度彎肘快速接頭	PT3/8xφ12	1.00	EA
23.00	NV 00077031001	PRESTO ADAPTER,Y	Y型快速接頭	Y φ12	1.00	EA
24.00	NV 00077030804	STRAIGHT, PRESTO ADAPTER	直型快速接頭	PT1/2xφ12	1.00	EA
25.00	NV 00077030606	UNION	直雙內牙接頭	PT1/2xPT3/8(P056)	1.00	EA

PRODUCT BOM MASTER AND SUB-ITEMS LIST

Item	Part NO.	Description	中文名稱	Specification	Qty	Unit
26.00	NV 00113350108	MUFFLER, BREATHER	消音器	PT3/8(MSR-03-B)	1.00	EA
29.00	NV 00077030806	STRAIGHT, PRESTO ADAPTER	直型快速接頭	PT1/4Xφ8(JPC8-02)	1.00	EA
30.00	NV 00077030901	PRESTO ADAPTER, STRIGHT(female)	內牙直快速接頭(母)	PT1/4"(SF20)	1.00	EA
33.00	NV 00070070501	TUBING, PNEUMATIC	風壓用管	PE φ6x1.5M(MINDMAN)(PE0640-B)	1.00	EA
34.00	NV 00070070278	TUBING, PNEUMATIC	風壓用管	PU φ12xφ8 (MINDMAN) 4.5 M	1.00	EA
35.00	NV 00070070206	TUBING, PNEUMATIC	風壓用管	PU φ8xφ5(MINDMAN)3.6 M	1.00	EA
36.00	NV 00070070205	TUBING, PNEUMATIC	風壓用管	PU φ12xφ8(MINDMAN)0.7 M	1.00	EA
39.00	NV 00070070277	TUBING, PNEUMATIC	風壓用管	PU φ12xφ8 (MINDMAN) 5.5M	1.00	EA
46.00	NV 00077030806	STRAIGHT, PRESTO ADAPTER	直型快速接頭	PT1/4Xφ8(JPC8-02)	1.00	EA
49.00	NV 00070070212	TUBING, PNEUMATIC	風壓用管	PU φ8xφ5(MINDMAN)4.7 M	1.00	EA
50.00	NV 00100590113	3/4-SOLENOID	二口二位電磁閥	3/4-110V (20kg/cm ²)	2.00	ST
51.00	NV 00117360108	PRESSURE SWITCH (CTS)	壓力開關(CTS)	(BN-1252-10A) 4~20kg/cm2	1.00	EA
52.00	NV 00100590104	CHECK VALVE, AIR	風壓逆止閥	PT1/4"	1.00	EA
58.00	NV 00077031601	TEE ADAPTER, FEMALE&MALE	內外牙三通	PT3/8mxPT3/8fxPT1/4f	2.00	EA
59.00	NV 00077030214	NIPPLE, STRAIGHT	直接頭	PT1/4"XPT1/8"X30L	1.00	EA
60.00	NV 00030480109	SOLENOID VALVE,3WAY-2POSITION	電磁閥,3WAY-2POSITION NORMAL OPEN	1/8" AC110V 31A3AV10 110,3WAY-	1.00	EA
61.00	NV 00077031701	PLUG, SOCKET HEX.	塞頭	PT1/8	1.00	EA
62.00	NV 00077030801	STRAIGHT, PRESTO ADAPTER	直型快速接頭	PT1/8(F)Xφ8(JPG8-01)	1.00	EA
63.00	NV 00070070203	TUBING, PNEUMATIC	風壓用管	PU φ8xφ5(MINDMAN)1.2 M	1.00	EA
64.00	NV 00077031601	TEE ADAPTER, FEMALE&MALE	內外牙三通	PT3/8mxPT3/8fxPT1/4f	1.00	EA
65.00	NV 00107790304	CROSS UNION(FILTER/REGULATOR U	三聯組合作用四通閥	P101-2(Mindman),PT1/4"x2	1.00	EA

REV.	DESCRIPTION	DATE	ECN.
A	新機	2007/1/17	



MODEL: CX 600/800/1000	PART NUMBER
PNEUMATIC PARTS(OIL-AIR)	NVA000280436A
気圧器組件(OIL-AIR)	PAGE 1 OF 1
DATE 2007/1/17	SCALE 1:1.5
	REV. A

PRODUCT BOM MASTER AND SUB-ITEMS LIST

Master Item Part NO.: NVA000280436A

Description: PNEUMATIC PARTS(OIL AIR)
氣壓零組件(OIL-AIR)

Item Part NO.	Description	中文名稱	Specification	Qty	Unit
1.00	NV 00077031401 PRESTO ADAPTER, STRAIGHT MALE(外牙直快速接頭(公)	PT3/8"(PM30)	1.00	EA
2.00	NV 00100590301 HAND SLIDE VALVE	滑動開關	PT3/8	1.00	EA
3.00	NV 00077031603 TEE ADAPTER, FEMALE&MALE	內外牙三通	PT3/8mxPT3/8fxPT3/8f(P104)	1.00	EA
5.00	NV 00077030701 PRESTO ADAPTER, ELBOW	90度彎肘快速接頭	PT3/8xφ8(JPL8-03)	1.00	EA
7.00	NV 00107790113 FILTER/REGULATOR UNIT	三聯組合	MACP401-10A-D(Mindman)	1.00	EA
8.00	NV 00107790202 AUTOMATIC DRAIN WATER	自動排水器	MADV-400(500DM)	1.00	EA
9.00	NV 00077030801 STRAIGHT, PRESTO ADAPTER	直型快速接頭	PT1/8(F)X φ8(JPG8-01)	1.00	EA
10.00	NV 00107790304 CROSS UNION(FILTER/REGULATOR U	三聯組合用四通閥	P101-2(Mindman),PTf1/4"x2	1.00	EA
11.00	NV 00077031702 PLUG, SOCKET HEX.	塞頭	PT1/4	1.00	EA
12.00	NV 00077031601 TEE ADAPTER, FEMALE&MALE	內外牙三通	PT3/8mxPT3/8fxPT1/4f	1.00	EA
13.00	NV 00077031101 PRESTO ADAPTER, TEE	三通快速接頭	PT3/8xφ12	1.00	EA
14.00	NV 00077030220 PIPE	2吋牙管	PT1/4xPT1/4x2"L(WEU-02-2)	1.00	EA
15.00	NV 00077030301 ELBOW, BRASS 90 DEG FEMALE	90度內雙螺紋肘管	PT1/4xPT1/4(P085)	1.00	EA
16.00	NV 00117360101 PRESSURE SWITCH(KP35)	壓力開關	0.2~7kg/cm2 1/4	1.00	EA
22.00	NV 00030480102 VALVE, 3/8 2 WAY PNEUMATIC	五口二位單線圈	3/8 SOLENOID VALVE 24V	1.00	EA
23.00	NV 00077030703 PRESTO ADAPTER, ELBOW	90度彎肘快速接頭	PT3/8xφ12	3.00	EA
24.00	NV 00077031515 ELBOW, 90 DEG MALE	90度外雙螺紋肘管	PT3/8"XPT3/8"	1.00	EA
25.00	NV 00077030803 STRAIGHT, PRESTO ADAPTER	直型快速接頭	PT3/8xφ12	1.00	EA
26.00	NV 00077030703 PRESTO ADAPTER, ELBOW	90度彎肘快速接頭	PT3/8xφ12	1.00	EA
27.00	NV 00077031001 PRESTO ADAPTER,Y	Y型快速接頭	Y φ12	1.00	EA

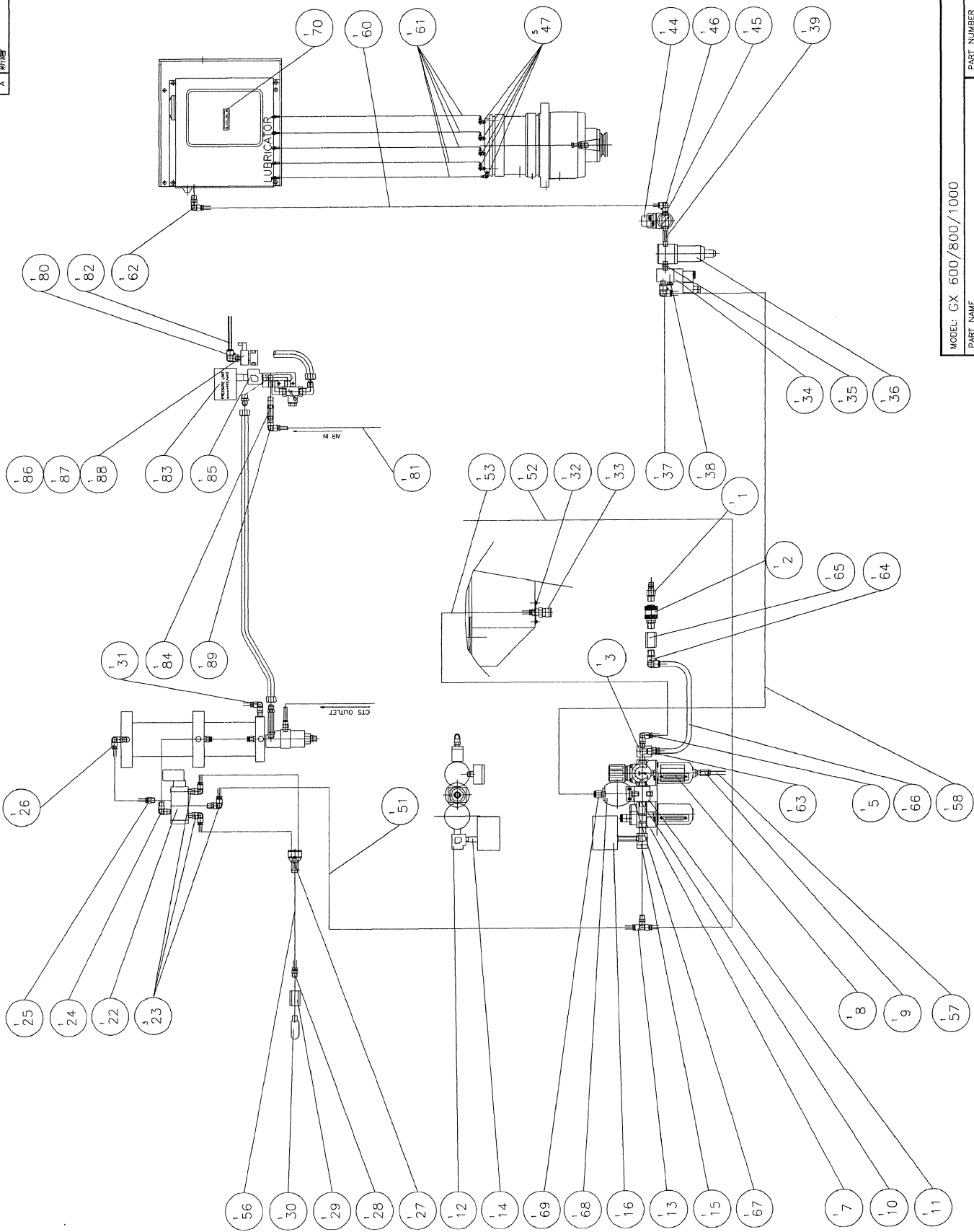
PRODUCT BOM MASTER AND SUB-ITEMS LIST

Item	Part NO.	Description	中文名稱	Specification	Qty	Unit
28.00	NV 00077030804	STRAIGHT, PRESTO ADAPTER	直型快速接頭	PT1/2xΦ12	1.00	EA
29.00	NV 00077030606	UNION	直雙內牙接頭	PT1/2xPT3/8(P056)	1.00	EA
30.00	NV 00113350108	MUFFLER, BREATHER	消音器	PT3/8(MSR-03-B)	1.00	EA
31.00	NV 00077030705	PRESTO ADAPTER, ELBOW	90度彎肘快速接頭	PT1/8xΦ8	1.00	EA
32.00	NV 00077030806	STRAIGHT, PRESTO ADAPTER	直型快速接頭	PT1/4XΦ8(JPC8-02)	1.00	EA
33.00	NV 00077030901	PRESTO ADAPTER, STRIGHT(female)	內牙直快速接頭(母)	PT1/4"(SF20)	1.00	EA
34.00	NV 00030480104	VALVE, 1/4 2 WAY PNEUMATIC	三口二位單線圈(風壓電磁閥)	1/4 "24V(MVSC-220-3E1-NC)	1.00	EA
35.00	NV 00077030206	NIPPLE, STRAIGHT	立布管	PT1/4"XPT1/4"X30L(P012)	1.00	EA
36.00	NV 00107790110	FILTER(5u)	過濾器(5u)	1/4 MAF300(27T0-8A)	1.00	EA
37.00	NV 00077030706	PRESTO ADAPTER, ELBOW	90度彎肘快速接頭	PT1/4xΦ10(JPL10-02)	1.00	EA
38.00	NV 00113350103	MUFFLER, BREATHER	消音器	PT1/4(SL-02Q)	1.00	EA
39.00	NV 00077030206	NIPPLE, STRAIGHT	立布管	PT1/4"XPT1/4"X30L(P012)	1.00	EA
44.00	NV 00107790109	FINE REGULATOR	迷你微壓調壓器美	1/4(R55-2)	1.00	EA
45.00	NV 00115370104	GAGE, PRESSURE	壓力錶	PT1/8"x10kgxψ11/2"(P-A1510)	1.00	EA
46.00	NV 00077030702	PRESTO ADAPTER, ELBOW	90度彎肘快速接頭	PT1/4xΦ8(JPL8-02)	1.00	EA
47.00	NV 00077030709	PRESTO ADAPTER, ELBOW	90度彎肘快速接頭	PT1/8xΦ4(PISCO,PL4-01)	5.00	EA
51.00	NV 00070070278	TUBING, PNEUMATIC	風壓用管	PU Φ12xΦ8 (MINDMAN) 4.5 M	1.00	EA
52.00	NV 00070070205	TUBING, PNEUMATIC	風壓用管	PU Φ12xΦ8(MINDMAN)0.7 M	1.00	EA
53.00	NV 00070070206	TUBING, PNEUMATIC	風壓用管	PU Φ8xΦ5(MINDMAN)3.6 M	1.00	EA
56.00	NV 00070070277	TUBING, PNEUMATIC	風壓用管	PU Φ12xΦ8 (MINDMAN) 5.5M	1.00	EA
57.00	NV 00070070203	TUBING, PNEUMATIC	風壓用管	PU Φ8xΦ5(MINDMAN)1.2 M	1.00	EA
58.00	NV 00070070222	TUBING, PNEUMATIC	風壓用管	PU Φ10xΦ6.5(MINDMAN)1.3M	1.00	EA
60.00	NV 00070070241	TUBING, PNEUMATIC	風壓用管	PU Φ8xΦ5(MINDMAN)1.5M	1.00	EA

PRODUCT BOM MASTER AND SUB-ITEMS LIST

Item	Part NO.	Description	中文名稱	Specification	Qty	Unit
61.00	NV 000770303	CLARITY TUBING, NYLON	透明尼龍油管	D4xd2.5x5M	5.00	MT
62.00	NV 00077030702	PRESTO ADAPTER, ELBOW	90度彎肘快速接頭	PT1/4xΦ8(JPL8-02)	1.00	EA
63.00	NV 00077030803	STRAIGHT, PRESTO ADAPTER	直型快速接頭	PT3/8xΦ12	1.00	EA
64.00	NV 00077030703	PRESTO ADAPTER, ELBOW	90度彎肘快速接頭	PT3/8xΦ12	1.00	EA
65.00	NV 00077030602	UNION	直雙內牙接頭	PT3/8xPT3/8	1.00	EA
66.00	NV 000770205	TUBING, PNEUMATIC	風壓用管	PU Φ12xΦ8(MINDMAN)0.7 M	1.00	EA
67.00	NV 00077030206	NIPPLE, STRAIGHT	立布管	PT1/4"XPT1/4"X30L(P012)	1.00	EA
68.00	NV 00107790203	AIR DRYER DEVICE	濾水器自動排水器	WSA-C2-F00	1.00	EA
69.00	NV 00077030811	STRAIGHT, PRESTO ADAPTER	直型快速接頭	PT1/4xΦ10(JPC10-02)	1.00	EA
70.00	NV 001030301A	TAG, OIL LEVEL (12K/15K-RPM/S	油霧機油位標籤(12K/15K-RPM/SHOWA)	L56xW16	1.00	EA

REV.	DESCRIPTION	DATE	ECN.
A	新仕様	2007/1/17	



MODEL: GX 600/800/1000	
PART NAME	PART NUMBER
12K/15K PNEUMATIC PARTS (CTS)	NVA000280439A
12K/15K 氣壓管路 (中心給水)	PAGE 1 OF 1
DATE 2007/1/17	SCALE 1:15
ENDER KIN P-HIL	REV. A

PRODUCT BOM MASTER AND SUB-ITEMS LIST

Master Item Part NO.: NVA000280439A

Description: 12/15k PNEUMATIC PARTS(CTS)
12/15k氣壓管路(中心給水)

Item Part NO.	Description	中文名稱	Specification	Qty	Unit
1.00	NV 00077031401 PRESTO ADAPTER, STRAIGHT MALE(外牙直快速接頭(公)	PT3/8"(PM30)	1.00	EA
2.00	NV 00100590301 HAND SLIDE VALVE	滑動開關	PT3/8	1.00	EA
3.00	NV 00077031603 TEE ADAPTER, FEMALE&MALE	內外牙三通	PT3/8mxPT3/8fxPT3/8f(P104)	1.00	EA
5.00	NV 00077030701 PRESTO ADAPTER, ELBOW	90度彎肘快速接頭	PT3/8xφ8(JPL8-03)	1.00	EA
7.00	NV 00107790113 FILTER/REGULATOR UNIT	三聯組合	MACP401-10A-D(Mindman)	1.00	EA
8.00	NV 00107790202 AUTOMATIC DRAIN WATER	自動排水器	MADV-400(500DM)	1.00	EA
9.00	NV 00077030801 STRAIGHT, PRESTO ADAPTER	直型快速接頭	PT1/8(F)X φ8(JPG8-01)	1.00	EA
10.00	NV 00107790304 CROSS UNION(FILTER/REGULATOR U	三聯組合用四通閥	P101-2(Mindman),PTf1/4"x2	1.00	EA
11.00	NV 00077031702 PLUG, SOCKET HEX.	塞頭	PT1/4	1.00	EA
12.00	NV 00077031601 TEE ADAPTER, FEMALE&MALE	內外牙三通	PT3/8mxPT3/8fxPT1/4f	1.00	EA
13.00	NV 00077031101 PRESTO ADAPTER, TEE	三通快速接頭	PT3/8xφ12	1.00	EA
14.00	NV 00077030220 PIPE	2吋牙管	PT1/4xPT1/4x2"L(WEU-02-2)	1.00	EA
15.00	NV 00077030301 ELBOW, BRASS 90 DEG FEMALE	90度內雙螺紋肘管	PT1/4xPT1/4(P085)	1.00	EA
16.00	NV 00117360101 PRESSURE SWITCH(KP35)	壓力開關	0.2~7kg/cm2 1/4	1.00	EA
22.00	NV 00030480102 VALVE, 3/8 2 WAY PNEUMATIC	五口二位單線圈	3/8 SOLENOID VALVE 24V	1.00	EA
23.00	NV 00077030703 PRESTO ADAPTER, ELBOW	90度彎肘快速接頭	PT3/8xφ12	3.00	EA
24.00	NV 00077031515 ELBOW, 90 DEG MALE	90度外雙螺紋肘管	PT3/8"XPT3/8"	1.00	EA
25.00	NV 00077030803 STRAIGHT, PRESTO ADAPTER	直型快速接頭	PT3/8xφ12	1.00	EA
26.00	NV 00077030703 PRESTO ADAPTER, ELBOW	90度彎肘快速接頭	PT3/8xφ12	1.00	EA
27.00	NV 00077031001 PRESTO ADAPTER,Y	Y型快速接頭	Y φ12	1.00	EA

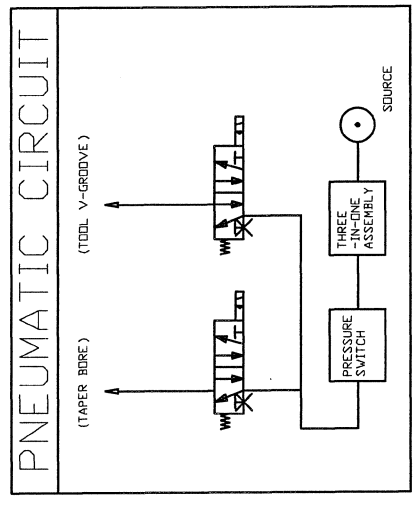
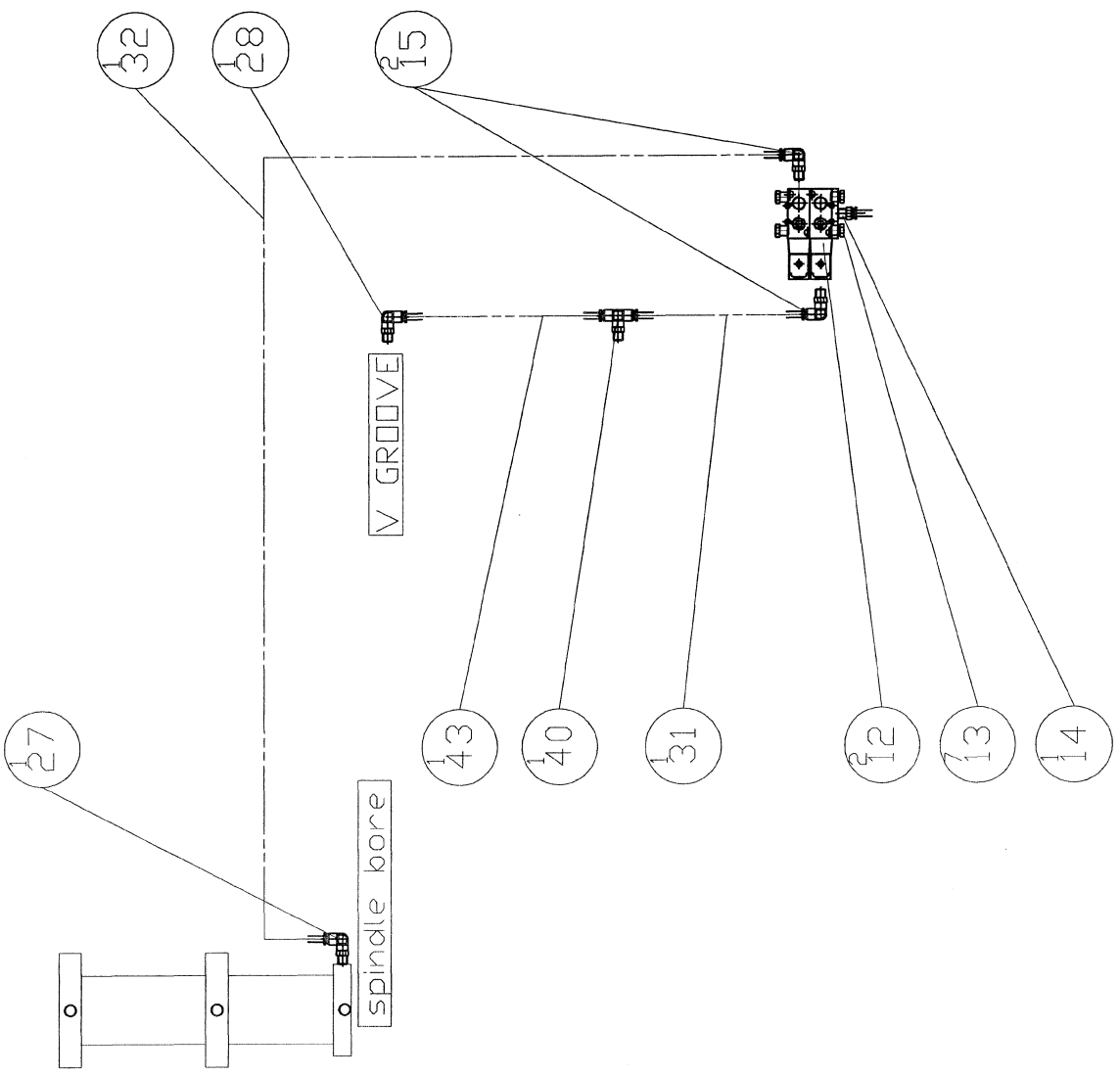
PRODUCT BOM MASTER AND SUB-ITEMS LIST

Item	Part NO.	Description	中文名稱	Specification	Qty	Unit
28.00	NV 00077030804	STRAIGHT, PRESTO ADAPTER	直型快速接頭	PT1/2xΦ12	1.00	EA
29.00	NV 00077030606	UNION	直雙內牙接頭	PT1/2xPT3/8(P056)	1.00	EA
30.00	NV 00113350108	MUFFLER, BREATHER	消音器	PT3/8(MSR-03-B)	1.00	EA
31.00	NV 00077030705	PRESTO ADAPTER, ELBOW	90度彎肘快速接頭	PT1/8xΦ8	1.00	EA
32.00	NV 00077030806	STRAIGHT, PRESTO ADAPTER	直型快速接頭	PT1/4XΦ8(JPC8-02)	1.00	EA
33.00	NV 00077030901	PRESTO ADAPTER, STRIGHT(female)	內牙直快速接頭(母)	PT1/4"(SF20)	1.00	EA
34.00	NV 00030480104	VALVE, 1/4 2 WAY PNEUMATIC	三口二位單線圈(風壓電磁閥)	1/4 "24V(MVSC-220-3E1-NC)	1.00	EA
35.00	NV 00077030206	NIPPLE, STRAIGHT	立布管	PT1/4"XPT1/4"X30L(P012)	1.00	EA
36.00	NV 00107790110	FILTER(5u)	過濾器(5u)	1/4 MAF300(27T0-8A)	1.00	EA
37.00	NV 00077030706	PRESTO ADAPTER, ELBOW	90度彎肘快速接頭	PT1/4xΦ10(JPL10-02)	1.00	EA
38.00	NV 00113350103	MUFFLER, BREATHER	消音器	PT1/4(SL-02Q)	1.00	EA
39.00	NV 00077030206	NIPPLE, STRAIGHT	立布管	PT1/4"XPT1/4"X30L(P012)	1.00	EA
44.00	NV 00107790109	FINE REGULATOR	迷你微壓調壓器美	1/4(R55-2)	1.00	EA
45.00	NV 00115370104	GAGE, PRESSURE	壓力錶	PT1/8"x10kgxψ11/2"(P-A1510)	1.00	EA
46.00	NV 00077030702	PRESTO ADAPTER, ELBOW	90度彎肘快速接頭	PT1/4xΦ8(JPL8-02)	1.00	EA
47.00	NV 00077030709	PRESTO ADAPTER, ELBOW	90度彎肘快速接頭	PT1/8xΦ4(PISCO,PL4-01)	5.00	EA
51.00	NV 00070070278	TUBING, PNEUMATIC	風壓用管	PU Φ12xΦ8 (MINDMAN) 4.5 M	1.00	EA
52.00	NV 00070070205	TUBING, PNEUMATIC	風壓用管	PU Φ12xΦ8(MINDMAN)0.7 M	1.00	EA
53.00	NV 00070070206	TUBING, PNEUMATIC	風壓用管	PU Φ8xΦ5(MINDMAN)3.6 M	1.00	EA
56.00	NV 00070070277	TUBING, PNEUMATIC	風壓用管	PU Φ12xΦ8 (MINDMAN) 5.5M	1.00	EA
57.00	NV 00070070203	TUBING, PNEUMATIC	風壓用管	PU Φ8xΦ5(MINDMAN)1.2 M	1.00	EA
58.00	NV 00070070222	TUBING, PNEUMATIC	風壓用管	PU Φ10xΦ6.5(MINDMAN)1.3M	1.00	EA
60.00	NV 00070070241	TUBING, PNEUMATIC	風壓用管	PU Φ8xΦ5(MINDMAN)1.5M	1.00	EA

PRODUCT BOM MASTER AND SUB-ITEMS LIST

Item	Part NO.	Description	中文名稱	Specification	Qty	Unit
61.00	NV 00070070303	CLARITY TUBING, NYLON	透明尼龍油管	D4xd2.5x5M	5.00	MT
62.00	NV 00077030702	PRESTO ADAPTER, ELBOW	90度彎肘快速接頭	PT1/4xφ8(JPL8-02)	1.00	EA
63.00	NV 00077030803	STRAIGHT, PRESTO ADAPTER	直型快速接頭	PT3/8xφ12	1.00	EA
64.00	NV 00077030703	PRESTO ADAPTER, ELBOW	90度彎肘快速接頭	PT3/8xφ12	1.00	EA
65.00	NV 00077030602	UNION	直雙內牙接頭	PT3/8xPT3/8	1.00	EA
66.00	NV 00070070205	TUBING, PNEUMATIC	風壓用管	PU φ12xφ8(MINDMAN)0.7 M	1.00	EA
67.00	NV 00077030206	NIPPLE, STRAIGHT	立布管	PT1/4"XPT1/4"X30L(P012)	1.00	EA
68.00	NV 00107790203	AIR DRYER DEVICE	濾水器自動排水器	WSA-C2-F00	1.00	EA
69.00	NV 00077030811	STRAIGHT, PRESTO ADAPTER	直型快速接頭	PT1/4xφ10(JPC10-02)	1.00	EA
70.00	NV 001030301A	TAG, OIL LEVEL (12K/15K-RPM/S	油霧機油位標籤(12K/15K-RPM/SHOWA)	L56xW16	1.00	EA
80.00	NV 00077032301	PRESTO ADAPTER, BLBOW	90度彎肘快速接頭	PF1/8"Xφ6	2.00	EA
81.00	NV 00070070202	TUBING, PNEUMATIC	風壓用管	PU φ8xφ5(MINDMAN)2.3 M	1.00	EA
82.00	NV 00070070501	TUBING, PNEUMATIC	風壓用管	PE φ6x1.5M(MINDMAN)(PE0640-B)	2.00	EA
83.00	NV 00117360108	PRESSURE SWITCH (CTS)	壓力開關(CTS)	(BN-1252-10A) 4~20kg/cm2	1.00	EA
84.00	NV 00100590104	CHECK VALVE, AIR	風壓逆止閥	PT1/4"	1.00	EA
85.00	NV 00077031601	TEE ADAPTER, FEMALE&MALE	內外牙三通	PT3/8mxPT3/8fxPT1/4f	2.00	EA
86.00	NV 00077030214	NIPPLE, STRAIGHT	直接頭	PT1/4"XPT1/8"X30L	1.00	EA
87.00	NV 00030480109	SOLENOID VALVE,3WAY-2POSITION	電磁閥,3WAY-2POSITION NORMAL OPEN	1/8" AC110V 31A3AV10 110.3WAY-	1.00	EA
88.00	NV 00077031701	PLUG, SOCKET HEX.	塞頭	PT1/8	1.00	EA
89.00	NV 00077030702	PRESTO ADAPTER, ELBOW	90度彎肘快速接頭	PT1/4xφ8(JPL8-02)	1.00	EA

REV	DESCRIPTION	DATE	EDN
A		2007/1/17	



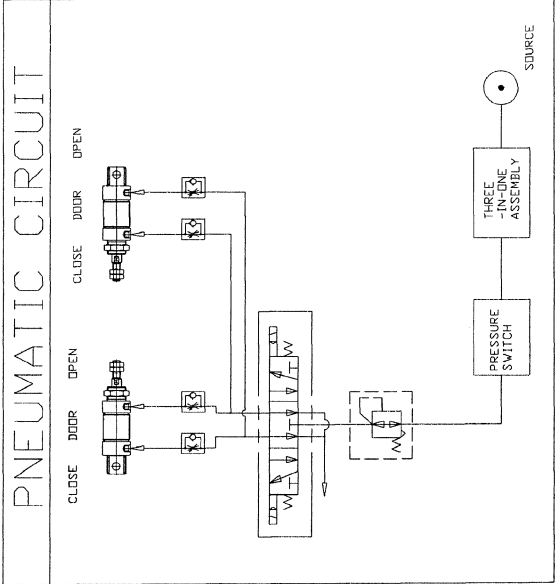
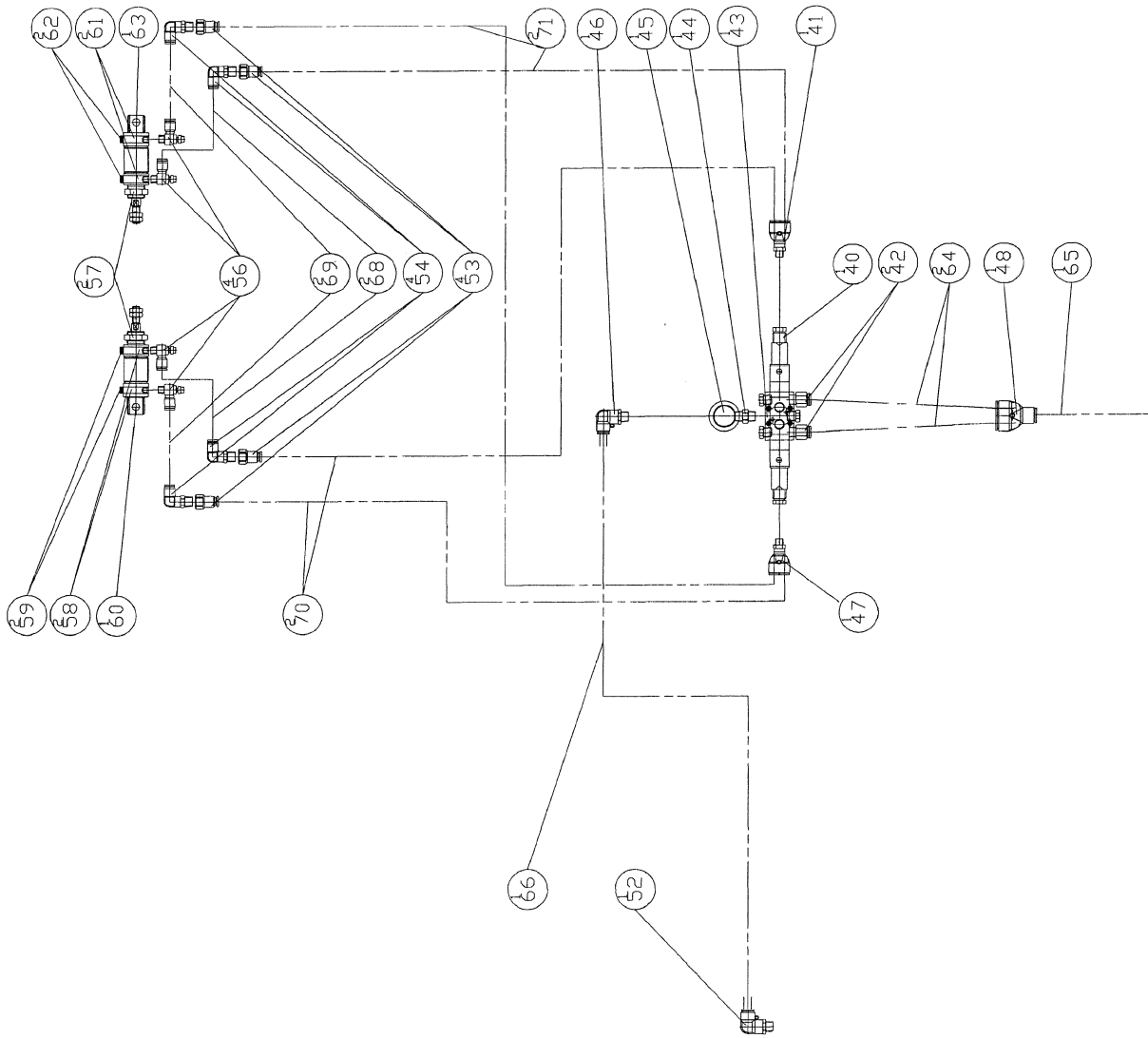
MODEL	GX 600/800/1000
PART NAME	PNEUMATIC PARTS STANDARD 氣壓零件 内外吹氣(單刀倉)
PART NUMBER	NVA000280431A
DATE	2007/1/17
ENGRS	KIN PHL
SCALE	1:10
PAGE	1 OF 1
REV.	A

PRODUCT BOM MASTER AND SUB-ITEMS LIST

Master Item Part NO.: NVA000280431A
Description: PNEUMATIC PARTS STANDARD
氣壓零組件 內外吹氣(單刀倉)

Item Part NO.	Description	中文名稱	Specification	Qty	Unit
12.00 NV 00030480101	VALVE, 1/4 2 WAY PNEUMATIC	五口二位單線圈	1/4 SOLENOID VALVE 24V	2.00	EA
13.00 NV 00077031702	PLUG, SOCKET HEX.	塞頭	PT1/4	7.00	EA
14.00 NV 00077030802	STRAIGHT, PRESTO ADAPTER	直型快速接頭	PT1/4xΦ12	1.00	EA
15.00 NV 00077030702	PRESTO ADAPTER, ELBOW	90度彎肘快速接頭	PT1/4xΦ8(JPL8-02)	2.00	EA
27.00 NV 00077030705	PRESTO ADAPTER, ELBOW	90度彎肘快速接頭	PT1/8xΦ8	1.00	EA
28.00 NV 00077030232	NIPPLE, STRAIGHT	直接頭	PT1/2X3/4-16UNF	1.00	EA
31.00 NV 00070070232	TUBING,PNEUMATIC	風壓用管	PU Φ8xΦ5(MINDMAN)4M	1.00	EA
32.00 NV 00070070232	TUBING,PNEUMATIC	風壓用管	PU Φ8xΦ5(MINDMAN)4M	1.00	EA
40.00 NV 00077031107	PRESTO ADAPTER, TEE	三通快速接頭	PT3/8xΦ8	1.00	EA
43.00 NV 00070070217	TUBING, PNEUMATIC	風壓用管	PU Φ8xΦ5(MINDMAN)0.25M	1.00	EA

REV.	DESCRIPTION	DATE	ECN.
A	新仕様	2007/1/17	



MODEL: GX 600	PART NUMBER
PART NAME	NVA000280433A
pneumatic parts(auto door) 気動機組付(自動門)	PAGE 1 OF 1
DATE 2007/1/17	REV. A
ENGINEER KIN PHL	SCALE 1:15

PRODUCT BOM MASTER AND SUB-ITEMS LIST

Master Item Part NO.: NVA000280433A

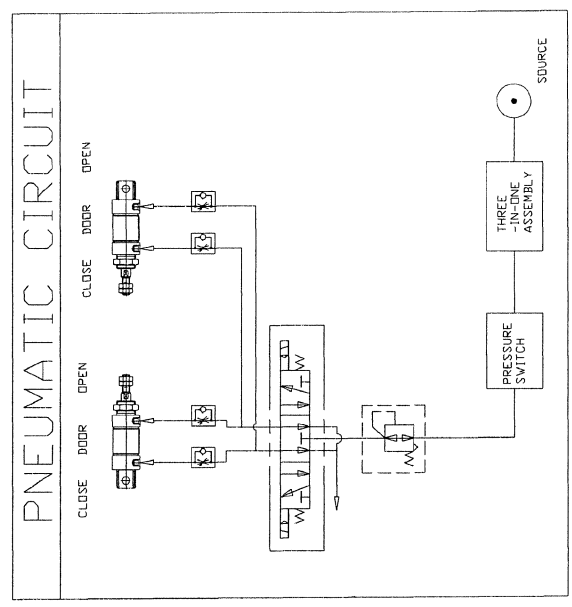
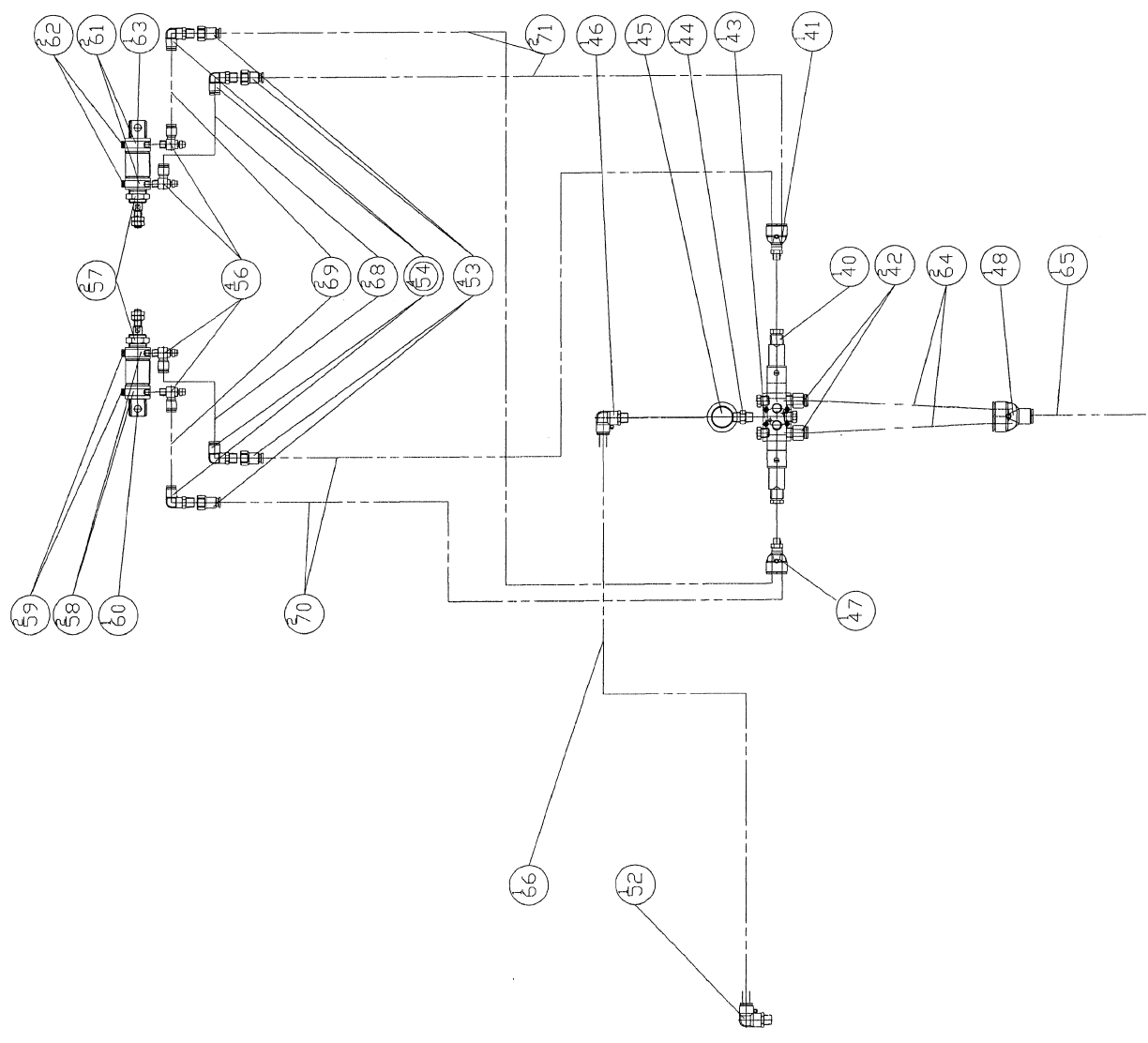
Description: PNEUMATIC PARTS(AUTO DOOR)
氣壓零組件(自動門)

Item Part NO.	Description	中文名稱	Specification	Qty	Unit
40.00	NV 00030480106 VALVE, 1/4 2 WAY PNEUMATIC	五口三位中排	1/4 24V(MVSD-260-4E2R)	1.00	EA
41.00	NV 00077031004 PRESTO ADAPTER,Y	Y型快速接頭	JPX8-02	1.00	EA
42.00	NV 00077030811 STRAIGHT, PRESTO ADAPTER	直型快速接頭	PT1/4xΦ10(JPC10-02)	2.00	EA
43.00	NV 001023407A MANIFOLD, PNEUMATIC	歧塊,一聯電磁閥用 M1	M1	1.00	EA
44.00	NV 00077030206 NIPPLE, STRAIGHT	立布管	PT1/4"XPT1/4"X30L(P012)	1.00	EA
45.00	NV 00107790109 FINE REGULATOR	迷你微壓調壓器美	1/4(R55-2)	1.00	EA
46.00	NV 00077030706 PRESTO ADAPTER, ELBOW	90度彎肘快速接頭	PT1/4xΦ10(JPL10-02)	1.00	EA
47.00	NV 00077031004 PRESTO ADAPTER,Y	Y型快速接頭	JPX8-02	1.00	EA
48.00	NV 00077031005 PRESTO ADAPTER,Y	Y型快速接頭	JPY10	1.00	EA
52.00	NV 00077030706 PRESTO ADAPTER, ELBOW	90度彎肘快速接頭	PT1/4xΦ10(JPL10-02)	1.00	EA
53.00	NV 00077032001 STRAIGHT, PRESTO ADAPTER(直型快速接頭	PT1/4"xΦ8(JPG8-02)	4.00	EA
54.00	NV 00077030702 PRESTO ADAPTER, ELBOW	90度彎肘快速接頭	PT1/4xΦ8(JPL8-02)	4.00	EA
56.00	NV 00077031301 PRESTO ADAPTER, ELBOW(ADJUSTAB	90度彎肘快速接頭(附調速)	PT1/8xΦ8(JSC8-01B)	4.00	EA
57.00	NV 000291703A CYLINDER, AUTO DOOR	氣壓缸,自動門	Mindman SDB-32-390	2.00	ST
58.00	NV 00108210008 REED RELAY BASE & CLAMP (FOR L	磁簧開關座+束帶 (FOR LS-BD2)	E2Y BAND	2.00	EA
59.00	NV 00028340200 REED RELAY	磁簧開關	LS-BD2 (LIANG Y1)	2.00	EA
60.00	NV 00032530304 PIN	直銷	SDB PIN-25	1.00	EA
61.00	NV 00108210008 REED RELAY BASE & CLAMP (FOR L	磁簧開關座+束帶 (FOR LS-BD2)	E2Y BAND	2.00	EA
62.00	NV 00028340200 REED RELAY	磁簧開關	LS-BD2 (LIANG Y1)	2.00	EA
63.00	NV 00032530304 PIN	直銷	SDB PIN-25	1.00	EA

PRODUCT BOM MASTER AND SUB-ITEMS LIST

Item	Part NO.	Description	中文名稱	Specification	Qty	Unit
64.00	NV 00070070229	TUBING, PNEUMATIC	風壓用管	PU ϕ 10x ϕ 6.5(MINDMAN)0.25M	2.00	EA
65.00	NV 00070070230	TUBING, PNEUMATIC	風壓用管	PU ϕ 10x ϕ 6.5(MINDMAN)1.6M	1.00	EA
66.00	NV 00070070215	TUBING, PNEUMATIC	風壓用管	PU ϕ 10x ϕ 6.5(MINDMAN)0.5M	1.00	EA
68.00	NV 00070070225	TUBING, PNEUMATIC	風壓用管	PU ϕ 8x ϕ 5(MINDMAN)0.55M	2.00	EA
69.00	NV 00070070224	TUBING, PNEUMATIC	風壓用管	PU ϕ 8x ϕ 5(MINDMAN)0.12 M	2.00	EA
70.00	NV 00070070269	TUBING, PNEUMATIC	風壓用管	PU ϕ 8x ϕ 5(MINDMAN)2.7 M	2.00	EA
71.00	NV 00070070232	TUBING, PNEUMATIC	風壓用管	PU ϕ 8x ϕ 5(MINDMAN)4M	2.00	EA

REV.	DESCRIPTION	DATE	ECN.
A	新仕様	2007/1/17	



MODEL: GX 800/1000	PART NUMBER
PART NAME	NVA000280433B
PNEUMATIC PARTS(AUTO DOOR)	PAGE 1 OF 1
気圧警組件 自動門	REV. A
DATE 2007/1/17	SCALE 1:1.5
ENTER	
PHIL	

PRODUCT BOM MASTER AND SUB-ITEMS LIST

Master Item Part NO.: NVA000280433B

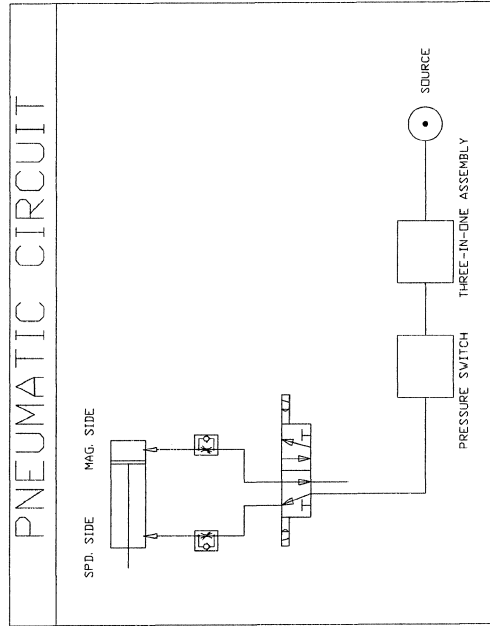
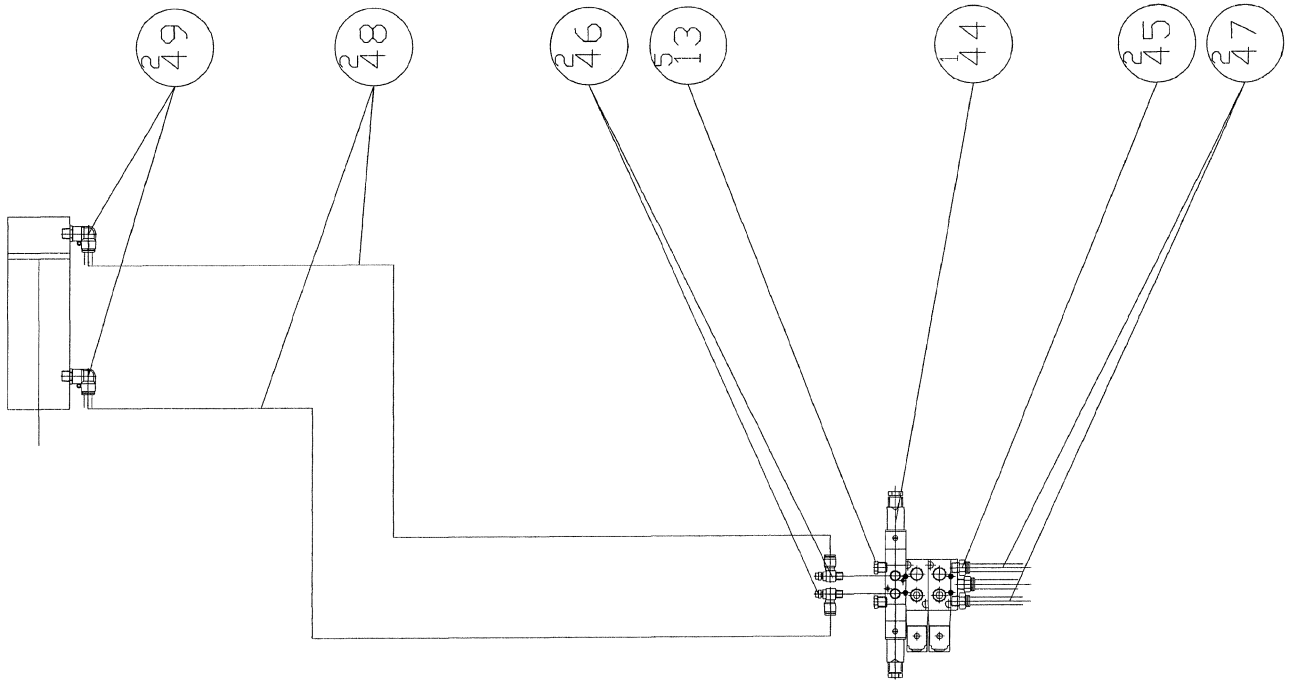
Description: PNEUMATIC PARTS(AUTO DOOR)
氣壓零組件(自動門)

Item Part NO.	Description	中文名稱	Specification	Qty	Unit
40.00	NV 00030480106 VALVE, 1/4 2 WAY PNEUMATIC	五口三位中排	1/4 24V(MVSD-260-4E2R)	1.00	EA
41.00	NV 00077031004 PRESTO ADAPTER,Y	Y型快速接頭	JPX8-02	1.00	EA
42.00	NV 00077030811 STRAIGHT, PRESTO ADAPTER	直型快速接頭	PT1/4xΦ10(JPC10-02)	2.00	EA
43.00	NV 001023407A MANIFOLD, PNEUMATIC	歧塊,一聯電磁閥用 M1	M1	1.00	EA
44.00	NV 00077030206 NIPPLE, STRAIGHT	立布管	PT 1/4"XPT1/4"X30L(P012)	1.00	EA
45.00	NV 00107790109 FINE REGULATOR	迷你微壓調壓器美	1/4(R55-2)	1.00	EA
46.00	NV 00077030706 PRESTO ADAPTER, ELBOW	90度彎肘快速接頭	PT1/4xΦ10(JPL10-02)	1.00	EA
47.00	NV 00077031004 PRESTO ADAPTER,Y	Y型快速接頭	JPX8-02	1.00	EA
48.00	NV 00077031005 PRESTO ADAPTER,Y	Y型快速接頭	JPY10	1.00	EA
52.00	NV 00077030706 PRESTO ADAPTER, ELBOW	90度彎肘快速接頭	PT1/4xΦ10(JPL10-02)	1.00	EA
53.00	NV 00077032001 STRAIGHT, PRESTO ADAPTER(直型快速接頭	PT1/4"xΦ8(JPG8-02)	4.00	EA
54.00	NV 00077030702 PRESTO ADAPTER, ELBOW	90度彎肘快速接頭	PT1/4xΦ8(JPL8-02)	4.00	EA
56.00	NV 00077031301 PRESTO ADAPTER, ELBOW(ADJUSTAB	90度彎肘快速接頭(附調速)	PT1/8xΦ8(JSC8-01B)	4.00	EA
57.00	NV 000291703BR CYLINDER, AUTO DOOR	氣壓缸,自動門	Mindman SDB-32-560	2.00	ST
58.00	NV 00108210008 REED RELAY BASE & CLAMP (FOR L	磁簧開關座+束帶 (FOR LS-BD2)	E2Y BAND	2.00	EA
59.00	NV 00028340200 REED RELAY	磁簧開關	LS-BD2 (LIANG YI)	2.00	EA
60.00	NV 00032530304 PIN	直銷	SDB PIN-25	1.00	EA
61.00	NV 00108210008 REED RELAY BASE & CLAMP (FOR L	磁簧開關座+束帶 (FOR LS-BD2)	E2Y BAND	2.00	EA
62.00	NV 00028340200 REED RELAY	磁簧開關	LS-BD2 (LIANG YI)	2.00	EA
63.00	NV 00032530304 PIN	直銷	SDB PIN-25	1.00	EA

PRODUCT BOM MASTER AND SUB-ITEMS LIST

Item	Part NO.	Description	中文名稱	Specification	Qty	Unit
64.00	NV 00070070229	TUBING, PNEUMATIC	風壓用管	PU ϕ 10x ϕ 6.5(MINDMAN)0.25M	2.00	EA
65.00	NV 00070070230	TUBING, PNEUMATIC	風壓用管	PU ϕ 10x ϕ 6.5(MINDMAN)1.6M	1.00	EA
66.00	NV 00070070215	TUBING, PNEUMATIC	風壓用管	PU ϕ 10x ϕ 6.5(MINDMAN)0.5M	1.00	EA
68.00	NV 00070070231	TUBING, PNEUMATIC	風壓用管	PU ϕ 8x ϕ 5(MINDMAN)0.75M	2.00	EA
69.00	NV 00070070224	TUBING, PNEUMATIC	風壓用管	PU ϕ 8x ϕ 5(MINDMAN)0.12 M	2.00	EA
70.00	NV 00070070245	TUBING, PNEUMATIC	風壓用管	PU ϕ 8x ϕ 5(MINDMAN)3.1M	2.00	EA
71.00	NV 00070070212	TUBING, PNEUMATIC	風壓用管	PU ϕ 8x ϕ 5(MINDMAN)4.7 M	2.00	EA

REV	DESCRIPTION	DATE	ECN
A	新修	2007/1/17	



MODEL: GX 600/800/1000	
PART NAME	PART NUMBER
PNEUMATIC PARTS(SWING ARM ATC)	NVA000280437A
氣壓零件組件(換刀臂式ATC)	PAGE 1 OF 1
DATE: 2007/1/17	SCALE: 1:1.2
ENGINEER: PHL	REV: A

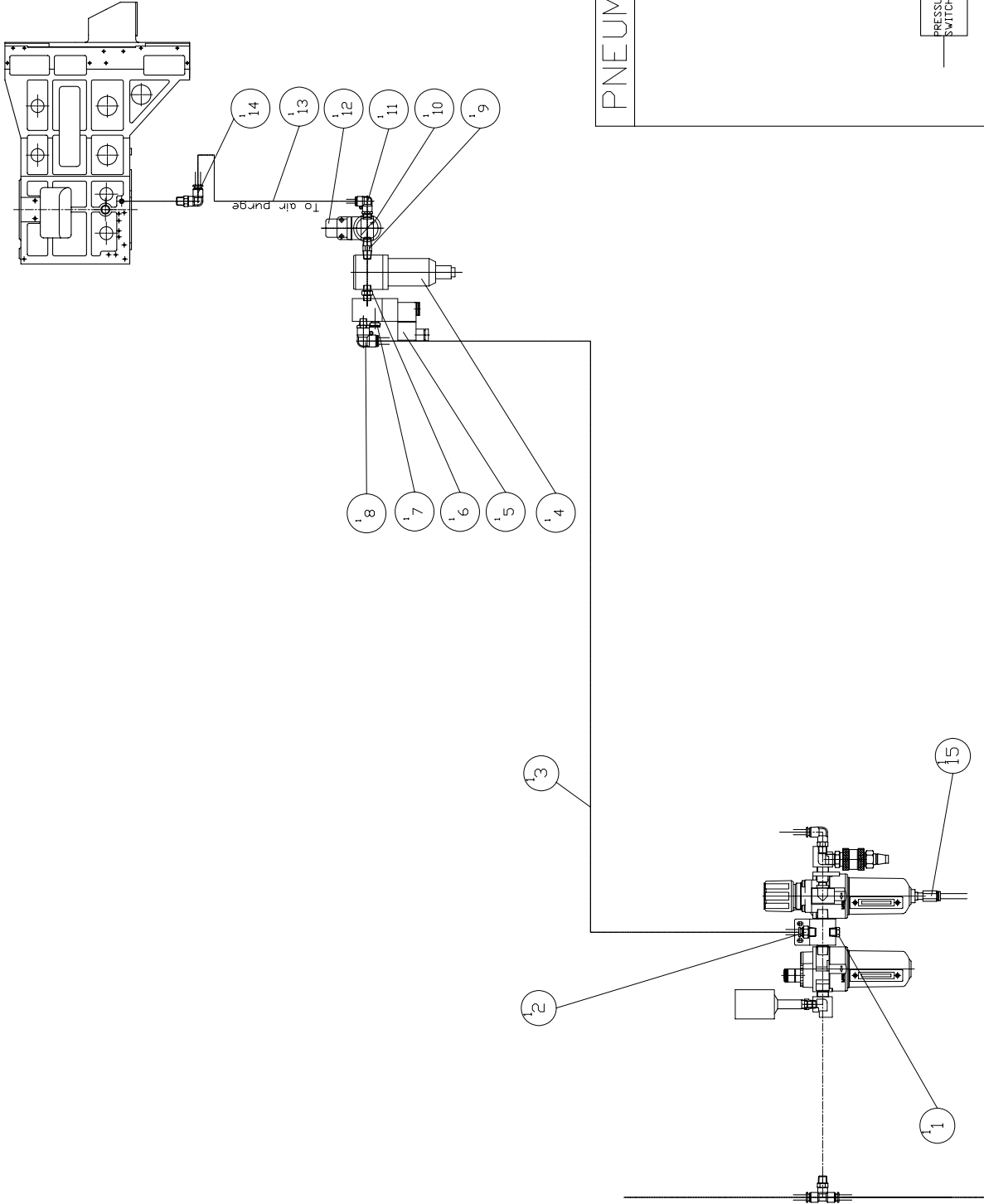
PRODUCT BOM MASTER AND SUB-ITEMS LIST

Master Item Part NO.: NVA000280437A

Description: PNEUMATIC PARTS(SWING ARM ATC)
氣壓零組件(SWING ARM ATC)

Item Part NO.	Description	中文名稱	Specification	Qty Unit
13.00 NV 00077031702	PLUG, SOCKET HEX.	塞頭	PT1/4	5.00 EA
44.00 NV 00030480107	VALVE,1/4 2 WAY PNEUMATIC	五口二位雙線圈	1/4 MVSD-260-4E2-DC 24V	1.00 EA
45.00 NV 00077030811	STRAIGHT, PRESTO ADAPTER	直型快速接頭	PT1/4xΦ10(JPC10-02)	2.00 EA
46.00 NV 00077031302	PRESTO ADAPTER, ELBOW(ADJUSTAB	90度彎肘快速接頭(附調速)	PT1/4xΦ10(JDSC10-02B)	2.00 EA
47.00 NV 00070070230	TUBING, PNEUMATIC	風壓用管	PU Φ10xΦ6.5(MINDMAN)1.6M	2.00 EA
48.00 NV 00070070216	TUBING, PNEUMATIC	風壓用管	PU Φ10xΦ6.5(MINDMAN)1M	2.00 EA
49.00 NV 00077030710	PRESTO ADAPTER, ELBOW	90度彎肘快速接頭	PT3/8xΦ10(CTL10-03)	2.00 EA

REV	DESCRIPTION	DATE	ECN
A	新機	2007/6/28	558



MODEL: VMC 600/800/1000

PART NAME	PART NUMBER
PNEUMATIC PARTS (AIR PURGE)	NVA000280444A
氣壓零組件 (AIR PURGE)	PAGE 1 OF 1
DATE 2007/6/28	SCALE 1:12
JANEL P.H.L	REV. A

PRODUCT BOM MASTER AND SUB-ITEMS LIST

Master Item Part NO.: NVA000280444A

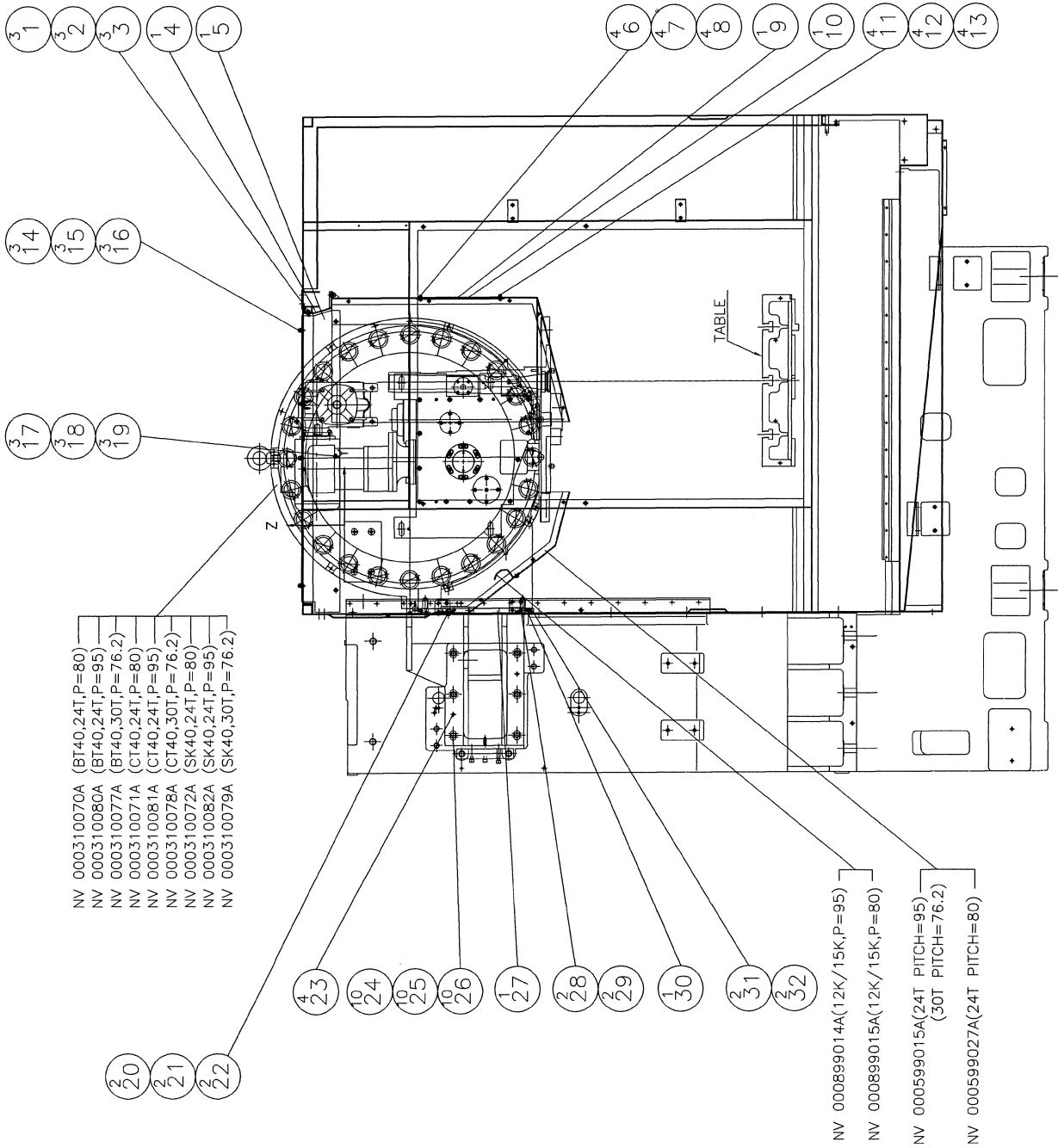
Description: PNEUMATIC PARTS(AIR PURGE)
氣壓零組件(AIR PURGE)

Item	Part NO.	Description	中文名稱	Specification	Qty	Unit
1.00	NV 00077031702	PLUG, SOCKET HEX.	塞頭	PT1/4	1.00	EA
2.00	NV 00077030806	STRAIGHT, PRESTO ADAPTER	直型快速接頭	PT1/4Xφ8(JPC8-02)	1.00	EA
3.00	NV 00070070279	TUBING, PNEUMATIC	風壓用管	PU φ 10xφ 6.5(MINDMAN)0.8M	1.00	EA
4.00	NV 00107790110	FILTER(5u)	過濾器(5u)	1/4 MAF300(27T0-8A)	1.00	EA
5.00	NV 00030480104	VALVE, 1/4 2 WAY PNEUMATIC	三口二位單線圈(風壓電磁閥)	1/4 "24V(MVSC-220-3E1-NC)	1.00	EA
6.00	NV 00077030206	NIPPLE, STRAIGHT	立布管	PT1/4"XPT1/4"X30L(P012)	1.00	EA
7.00	NV 00113350103	MUFFLER, BREATHER	消音器	PT1/4(SL-02Q)	1.00	EA
8.00	NV 00077030702	PRESTO ADAPTER, ELBOW	90度彎肘快速接頭	PT1/4xφ8(JPL8-02)	1.00	EA
9.00	NV 00077030206	NIPPLE, STRAIGHT	立布管	PT1/4"XPT1/4"X30L(P012)	1.00	EA
10.00	NV 00115370107	GAGE, PRESSURE	壓力錶	PT1/8"x4bar(58.8psi)	1.00	EA
11.00	NV 00077030702	PRESTO ADAPTER, ELBOW	90度彎肘快速接頭	PT1/4xφ8(JPL8-02)	1.00	EA
12.00	NV 00107790109	FINE REGULATOR	迷你微壓調節器美	1/4(R55-2)	1.00	EA
13.00	NV 00070070239	TUBING, PNEUMATIC	風壓用管	PU φ 8xφ 5(MINDMAN)4.3M	1.00	EA
14.00	NV 00077030702	PRESTO ADAPTER, ELBOW	90度彎肘快速接頭	PT1/4xφ8(JPL8-02)	1.00	EA
15.00	NV 00107790205	AUTOMATIC DRAIN WATER	自動排水器	FMRF300-AD-U	1.00	EA

Chapter 5

左儲刀倉與主柱聯結
Linkage of Column
and ATC(Left)

REV	DESCRIPTION	DATE	ECN.
A	結構圖	2007/3/6	



直角銜金左儲刀倉與主柱聯結(換刀臂ATC)共用件 Z行程540

MODEL: GX600/800/1000	ENTERK PHIL	SCALE: 1:22	REV: A
PART NAME LINKAGE OF COLUMN AND ATC(LEFT)(SWING ARM ATC) 左儲刀倉與主柱聯結(換刀臂ATC)		PAGE 1 OF 1	
PART NUMBER NVA000310056A		REV: A	

PRODUCT BOM MASTER AND SUB-ITEMS LIST

Master Item Part NO.: NVA000310056A

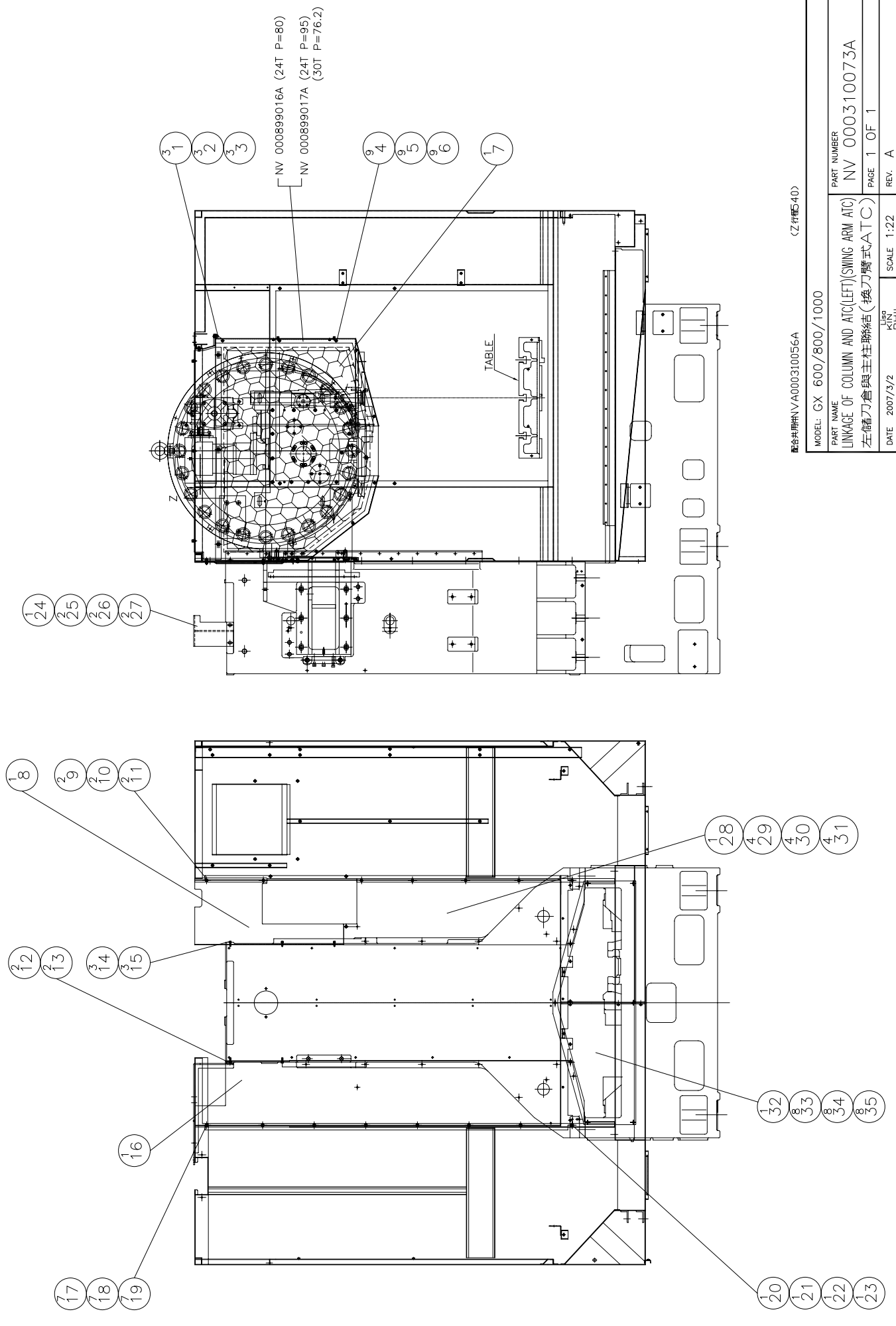
Description: LINKAGE OF COLUMN AND ATC LEFT
左儲刀倉與主柱聯結(換刀臂ATC)(共用件)

Item	Part NO.	Description	中文名稱	Specification	Qty	Unit
1.00	MS 0103517	SOCKET HEAD CAP SCREW	六角穴圓頭螺絲	M5xP0.8xL16	3.00	EA
2.00	MW 0103510	FLAT WASHER	平墊圈	M5	3.00	EA
3.00	MW 0183510	SPRING WASHER	彈簧墊圈	M5	3.00	EA
4.00	NV 000599044A	FIXED PLATE, MAGAZINE	固定座	L543xW59.6xH82	1.00	EA
5.00	NV 000799004A	FIXED PLATE, MAGAZINE	固定板(刀庫護蓋護網)	L898xW114.3xH57	1.00	EA
6.00	MS 0103517	SOCKET HEAD CAP SCREW	六角穴圓頭螺絲	M5xP0.8xL16	4.00	EA
7.00	MW 0103510	FLAT WASHER	平墊圈	M5	4.00	EA
8.00	MW 0183510	SPRING WASHER	彈簧墊圈	M5	4.00	EA
9.00	NV 000599030A	COVER, INSPECTION	凸輪箱檢視護板	L250.5xW153.4xH2	1.00	EA
10.00	NV 001044920A	WINDOW, MAGAZINE	壓克力板(換刀臂ATC,刀庫護蓋)	L250.5xW250.5xT2	1.00	EA
11.00	MS 0103517	SOCKET HEAD CAP SCREW	六角穴圓頭螺絲	M5xP0.8xL16	4.00	EA
12.00	MW 0103510	FLAT WASHER	平墊圈	M5	4.00	EA
13.00	MW 0183510	SPRING WASHER	彈簧墊圈	M5	4.00	EA
14.00	MS 0103617	SOCKET HEAD CAP SCREW	六角穴圓頭螺絲	M6xP1.0xL16	3.00	EA
15.00	MW 0103610	FLAT WASHER	平墊圈	M6(d6*D19*H2)	3.00	EA
16.00	MW 0183610	SPRING WASHER	彈簧墊圈	M6	3.00	EA
17.00	MS 0103617	SOCKET HEAD CAP SCREW	六角穴圓頭螺絲	M6xP1.0xL16	3.00	EA
18.00	MW 0103610	FLAT WASHER	平墊圈	M6(d6*D19*H2)	3.00	EA
19.00	MW 0183610	SPRING WASHER	彈簧墊圈	M6	3.00	EA
20.00	MS 0103617	SOCKET HEAD CAP SCREW	六角穴圓頭螺絲	M6xP1.0xL16	2.00	EA

PRODUCT BOM MASTER AND SUB-ITEMS LIST

Item	Part NO.	Description	中文名稱	Specification	Qty	Unit
21.00	MW 0103610	FLAT WASHER	平墊圈	M6(d6*D19*H2)	2.00	EA
22.00	MW 0183610	SPRING WASHER	彈簧墊圈	M6	2.00	EA
23.00	NV 00032530108	TAPER PIN	斜銷D8x32L(內牙M5x0.8)	D8x32L(M5x0.8)	4.00	EA
24.00	MS 0104624	SOCKET HD. CAP SCREW	六角穴圓頭螺絲	M16xP2xL50	10.00	EA
25.00	MW 0184610	SPRING WASHER	彈簧墊圈	M16	10.00	EA
26.00	NV 000399055A	PLATE	墊塊(M16 washer)	D Φ 32xd Φ 16.5xt6(M16 washer)	10.00	EA
27.00	NV 000799006A	SPLASH GUARD	擋水板	L386xW30xH18	1.00	EA
28.00	MS 0103615	SOCKET HEAD CAP SCREW	六角穴圓頭螺絲	M6xP1.0xL10	2.00	EA
29.00	MW 0183610	SPRING WASHER	彈簧墊圈	M6	2.00	EA
30.00	NV 000399053A	PLATE, SPLASH GUARD	擋水板	L174xW32xH18	1.00	EA
31.00	MS 0103615	SOCKET HEAD CAP SCREW	六角穴圓頭螺絲	M6xP1.0xL10	2.00	EA
32.00	MW 0183610	SPRING WASHER	彈簧墊圈	M6	2.00	EA

REV.	DESCRIPTION	DATE	ECN.
A	新增	2007/3/2	448



配合共用機NV/A000310056A (Z7#E540)

MODEL: GX 600/800/1000

PART NAME	PART NUMBER
LINKAGE OF COLUMN AND ATC(LEFT)(SWING ARM ATC)	NV 000310073A
左儲刀倉與主柱聯結(換刀臂式ATC)	PAGE 1 OF 1
DATE 2007/3/2	REV. A
SCALE 1:22	

PRODUCT BOM MASTER AND SUB-ITEMS LIST

Master Item Part NO.: NV 000310073A

Description: LINKAGE OF COLUMN AND ATC(LEFT

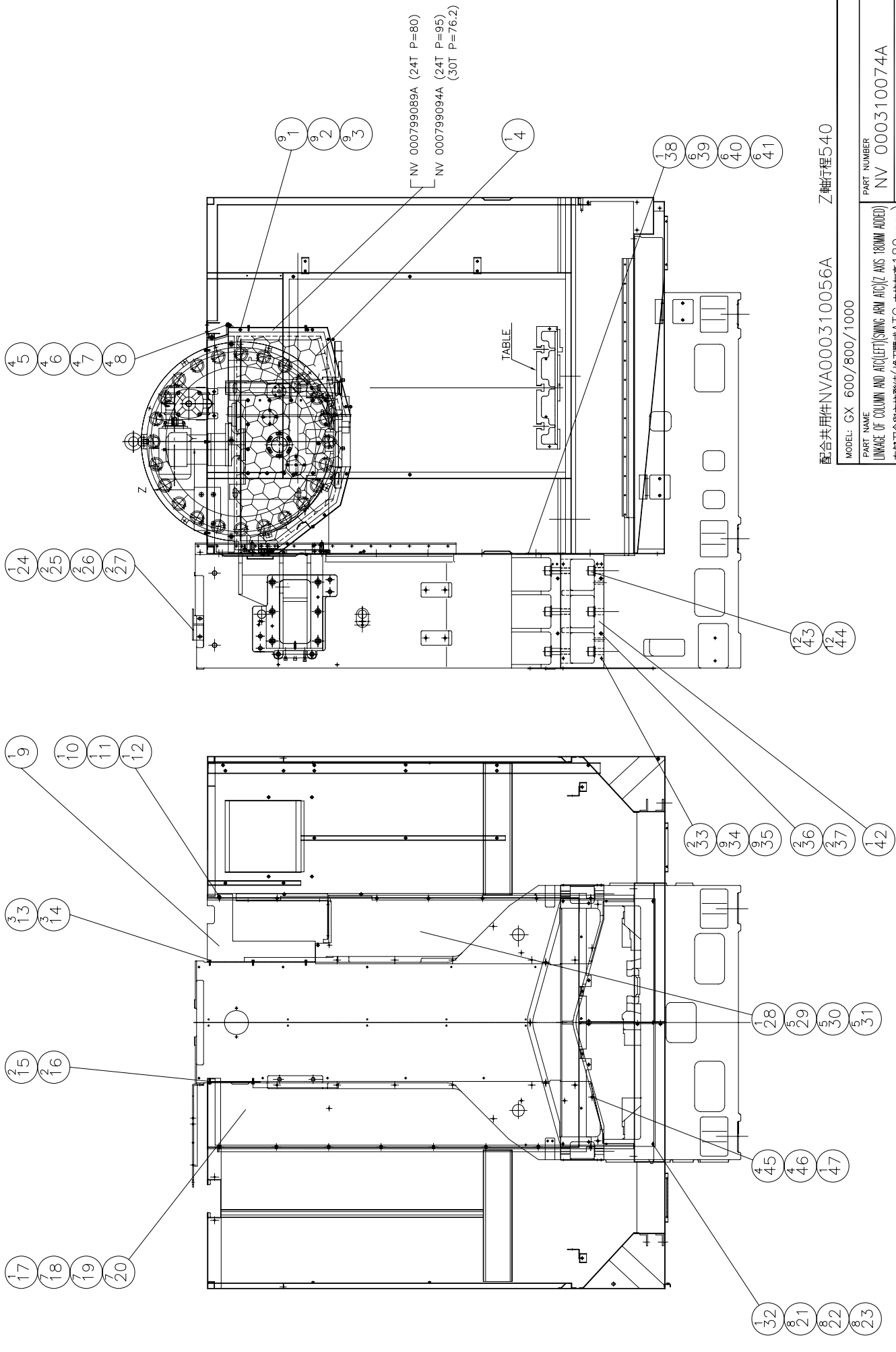
左儲刀倉與主柱聯結(換刀臂式ATC,Z行程540)

Item	Part NO.	Description	中文名稱	Specification	Qty	Unit
1.00	MS 0103617	SOCKET HEAD CAP SCREW	六角穴圓頭螺絲	M6xP1.0xL16	3.00	EA
2.00	MW 0103610	FLAT WASHER	平墊圈	M6(d6*D19*H2)	3.00	EA
3.00	MW 0183610	SPRING WASHER	彈簧墊圈	M6	3.00	EA
4.00	MS 0103517	SOCKET HEAD CAP SCREW	六角穴圓頭螺絲	M5xP0.8xL16	9.00	EA
5.00	MW 0183510	SPRING WASHER	彈簧墊圈	M5	9.00	EA
6.00	MW 0103510	FLAT WASHER	平墊圈	M5	9.00	EA
7.02	NVA000899020A	SCREEN, MAGAZINE	刀庫護蓋護網	L936xW688x4.3	1.00	EA
8.00	NV 000799005A	REAR GUARD,LEFT & UPPER	左上後擋板	L629xW282.5xH17	1.00	EA
9.00	MS 0103617	SOCKET HEAD CAP SCREW	六角穴圓頭螺絲	M6xP1.0xL16	2.00	EA
10.00	MW 0183610	SPRING WASHER	彈簧墊圈	M6	2.00	EA
11.00	MW 0103610	FLAT WASHER	平墊圈	M6(d6*D19*H2)	2.00	EA
12.00	MS 0103617	SOCKET HEAD CAP SCREW	六角穴圓頭螺絲	M6xP1.0xL16	2.00	EA
13.00	MW 0183610	SPRING WASHER	彈簧墊圈	M6	2.00	EA
14.00	MS 0103517	SOCKET HEAD CAP SCREW	六角穴圓頭螺絲	M5xP0.8xL16	3.00	EA
15.00	MW 0183510	SPRING WASHER	彈簧墊圈	M5	3.00	EA
16.00	NV 00002223A	PLATE, GUARD REAR RIGHT	右後擋板	L1775xW280xH15	1.00	EA
17.00	MS 0103618	SOCKET HEAD CAP SCREW	六角穴圓頭螺絲	M6xP1.0xL20	7.00	EA
18.00	MW 0183610	SPRING WASHER	彈簧墊圈	M6	7.00	EA
19.00	MW 0103610	FLAT WASHER	平墊圈	M6(d6*D19*H2)	7.00	EA
20.00	MS 0103618	SOCKET HEAD CAP SCREW	六角穴圓頭螺絲	M6xP1.0xL20	1.00	EA

PRODUCT BOM MASTER AND SUB-ITEMS LIST

Item	Part NO.	Description	中文名稱	Specification	Qty	Unit
21.00	MW 0183610	SPRING WASHER	彈簧墊圈	M6	1.00	EA
22.00	MW 0103610	FLAT WASHER	平墊圈	M6(d6*D19*H2)	1.00	EA
23.00	MN 0113610	HEXAGON NUT	六角螺帽	M6xP1.0	1.00	EA
24.00	NV 000599015B	PLATE, MOUNTING POWER CASE	固定板	L428.5xW130xH169	1.00	EA
25.00	MS 0103818	SOCKET HEAD CAP SCREW	六角穴圓頭螺絲	M8xP1.25xL20	2.00	EA
26.00	MW 0183810	SPRING WASHER	彈簧墊圈	M8	2.00	EA
27.00	MW 0103810	FLAT WASHER	平墊圈	M8 (d8*D22.2)	2.00	EA
28.00	NVA000022126A	PLATE, GUARD REAR LEFT	左後檔板	L1145xW280xH2.3	1.00	EA
29.00	MS 0103617	SOCKET HEAD CAP SCREW	六角穴圓頭螺絲	M6xP1.0xL16	4.00	EA
30.00	MW 0183610	SPRING WASHER	彈簧墊圈	M6	4.00	EA
31.00	MW 0103610	FLAT WASHER	平墊圈	M6(d6*D19*H2)	4.00	EA
32.00	NV 000199055A	COVER, COLUMN REAR	立柱蓋板	L1030XW349XL2.3	1.00	EA
33.00	MS 0103516	SOCKET HEAD CAP SCREW	六角穴圓頭螺絲	M5xP0.8xL12	8.00	EA
34.00	MW 0183510	SPRING WASHER	彈簧墊圈	M5	8.00	EA
35.00	MW 0103510	FLAT WASHER	平墊圈	M5	8.00	EA

REV.	DESCRIPTION	DATE	ECN.
A	新增	2007/6/5	448



NV 000799089A (24T P=80)
 NV 000799094A (24T P=95)
 (30T P=76.2)

配合共用件NVA000310056A Z軸行程540

MODEL: GX 600/800/1000	SCALE: 1:22	REV: A
PART NAME LINKAGE OF COLUMN AND AC(LEFT)SWING ARM AC(Z AXIS 180MM ADDED)	PART NUMBER NV 000310074A	PAGE 1 OF 1
左搖刀倉與主柱聯結(搖刀臂式ATC, 立柱加高180mm)	DATE 2007/6/5	JARED PHIL

PRODUCT BOM MASTER AND SUB-ITEMS LIST

Master Item Part NO.: NV 000310074A

Description: LINKAGE OF COLUMN AND ATC LEFT

左儲刀倉與主柱聯結(換刀臂ATC,主柱加高180)需配共用件

Item	Part NO.	Description	中文名稱	Specification	Qty	Unit
1.00	MS 0103517	SOCKET HEAD CAP SCREW	六角穴圓頭螺絲	M5xP0.8xL16	9.00	EA
2.00	MW 0183510	SPRING WASHER	彈簧墊圈	M5	9.00	EA
3.00	MW 0103510	FLAT WASHER	平墊圈	M5	9.00	EA
4.02	NVA000799095A	SCREEN, MAGAZINE	刀庫護蓋護網Z軸540mm,立柱加高180mm,P=80.936xW4.3xH528		1.00	EA
5.00	MS 0103617	SOCKET HEAD CAP SCREW	六角穴圓頭螺絲	M6xP1.0xL16	3.00	EA
6.00	MW 0103610	FLAT WASHER	平墊圈	M6(d6*D19*H2)	3.00	EA
7.00	MW 0183610	SPRING WASHER	彈簧墊圈	M6	3.00	EA
8.00	MN 0113610	HEXAGON NUT	六角螺帽	M6xP1.0	1.00	EA
9.00	NV 000022235A	PLATE, GUARD, UPPER REAR LEFT	左後檔板上Z軸行程540mm,立柱加高180mm	L282.5xW2.3xH449	1.00	ST
10.00	MS 0103517	SOCKET HEAD CAP SCREW	六角穴圓頭螺絲	M5xP0.8xL16	9.00	EA
11.00	MW 0183510	SPRING WASHER	彈簧墊圈	M5	9.00	EA
12.00	MW 0103510	FLAT WASHER	平墊圈	M5	9.00	EA
13.00	MS 0103617	SOCKET HEAD CAP SCREW	六角穴圓頭螺絲	M6xP1.0xL16	3.00	EA
14.00	MW 0183510	SPRING WASHER	彈簧墊圈	M5	9.00	EA
15.00	MS 0103617	SOCKET HEAD CAP SCREW	六角穴圓頭螺絲	M6xP1.0xL16	3.00	EA
16.00	MW 0183610	SPRING WASHER	彈簧墊圈	M6	3.00	EA
17.00	NV 000022233A	PLATE, GUARD REAR RIGHT	右後檔板(立柱墊高180MM用)	W1374xL280xH17	1.00	EA
18.00	MS 0103617	SOCKET HEAD CAP SCREW	六角穴圓頭螺絲	M6xP1.0xL16	1.00	EA
19.00	MW 0183610	SPRING WASHER	彈簧墊圈	M6	1.00	EA
20.00	MW 0103610	FLAT WASHER	平墊圈	M6(d6*D19*H2)	1.00	EA

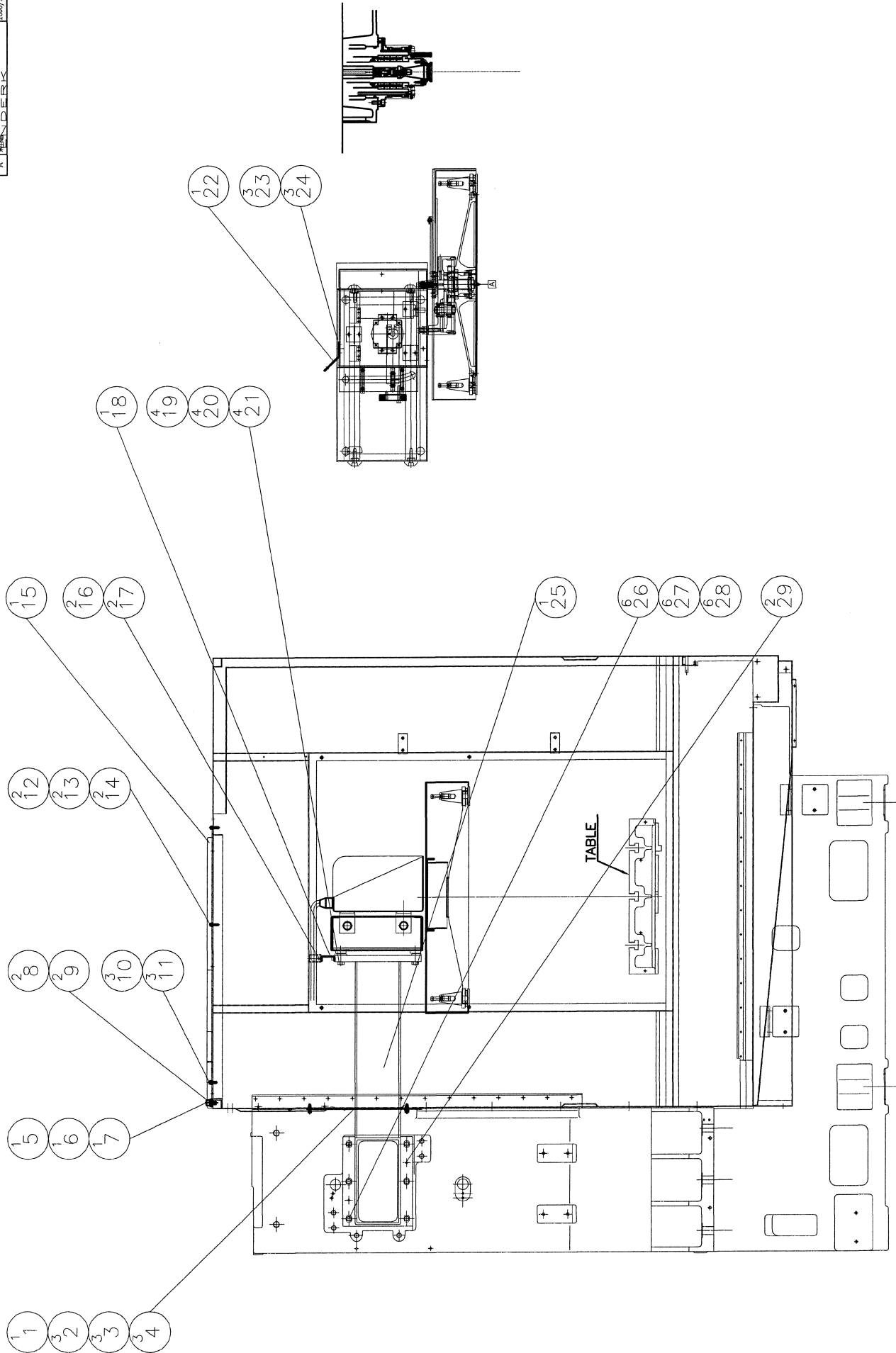
PRODUCT BOM MASTER AND SUB-ITEMS LIST

Item	Part NO.	Description	中文名稱	Specification	Qty	Unit
21.00	MS 0103616	SOCKET HEAD CAP SCREW	六角穴圓頭螺絲	M6xP1.0xL12	1.00	EA
22.00	MW 0183610	SPRING WASHER	彈簧墊圈	M6	1.00	EA
23.00	MW 0103610	FLAT WASHER	平墊圈	M6(d6*D19*H2)	1.00	EA
24.00	NV 000799082A	PLATE, MOUNTING POWER CASE	固定板	L428.5xW130xH46	1.00	EA
25.00	MS 0103818	SOCKET HEAD CAP SCREW	六角穴圓頭螺絲	M8xP1.25xL20	1.00	EA
26.00	MW 0183810	SPRING WASHER	彈簧墊圈	M8	1.00	EA
27.00	MW 0103810	FLAT WASHER	平墊圈	M8 (d8*D22.2)	1.00	EA
28.00	NV 000022154A	PLATE, GUARD REAR LEFT	左後擋板	L1320xW285xH2.3	1.00	EA
29.00	MS 0103617	SOCKET HEAD CAP SCREW	六角穴圓頭螺絲	M6xP1.0xL16	1.00	EA
30.00	MW 0183610	SPRING WASHER	彈簧墊圈	M6	1.00	EA
31.00	MW 0103610	FLAT WASHER	平墊圈	M6(d6*D19*H2)	1.00	EA
32.00	NV 000499002A	COVER, COLUMN REAR	立柱蓋板	L1030xW531xH2.3	1.00	EA
33.00	NV 000499007A	COVER, COLUMN FRONT	立柱蓋板	L475xW179xH2.3	1.00	EA
34.00	MS 0103616	SOCKET HEAD CAP SCREW	六角穴圓頭螺絲	M6xP1.0xL12	1.00	EA
35.00	MW 0183610	SPRING WASHER	彈簧墊圈	M6	1.00	EA
36.00	MS 0104017	SOCKET HEAD CAP SCREW	六角穴圓頭螺絲	M10xP1.5xL16	1.00	EA
37.00	MW 0184010	SPRING WASHER	彈簧墊圈	M10	1.00	EA
38.00	NV 000499003A	COVER, COLUMN FRONT	立柱蓋板	L480xW164xH2.3	1.00	EA
39.00	MS 0103616	SOCKET HEAD CAP SCREW	六角穴圓頭螺絲	M6xP1.0xL12	1.00	EA
40.00	MW 0183610	SPRING WASHER	彈簧墊圈	M6	1.00	EA
41.00	MW 0103610	FLAT WASHER	平墊圈	M6(d6*D19*H2)	1.00	EA
42.00	NV 001066156A	SPACER, COLUMN	立柱加高墊塊	L1141xW475xH180	1.00	EA
43.00	MS 0105330	SOCKET HEAD CAP SCREW	六角穴圓頭螺絲	M24xP3.0xL80	1.00	EA

PRODUCT BOM MASTER AND SUB-ITEMS LIST

Item	Part NO.	Description	中文名稱	Specification	Qty	Unit
44.00	MW 0185310	SPRING WASHER	彈簧墊圈	M24	1.00	EA

REV	DESCRIPTION	DATE	ENR.
A	LINKER	2006/9/11	



直角鋸金左儲刀倉與主柱聯結(斗笠式ATC)共用件

MODEL	VMC600/800/1000
PART NAME	LINKAGE OF COLUMN AND ATC(LEFT)DRUM TYPE ATC
PART NUMBER	NV 000310057A
DATE	2006/9/11
LINKER	PHIL
SCALE	1:20
REV.	A
PAGE	1 OF 1

PRODUCT BOM MASTER AND SUB-ITEMS LIST

Master Item Part NO.: NV 000310057A

Description: LINKAGE OF COLUMN AND ATC LEFT

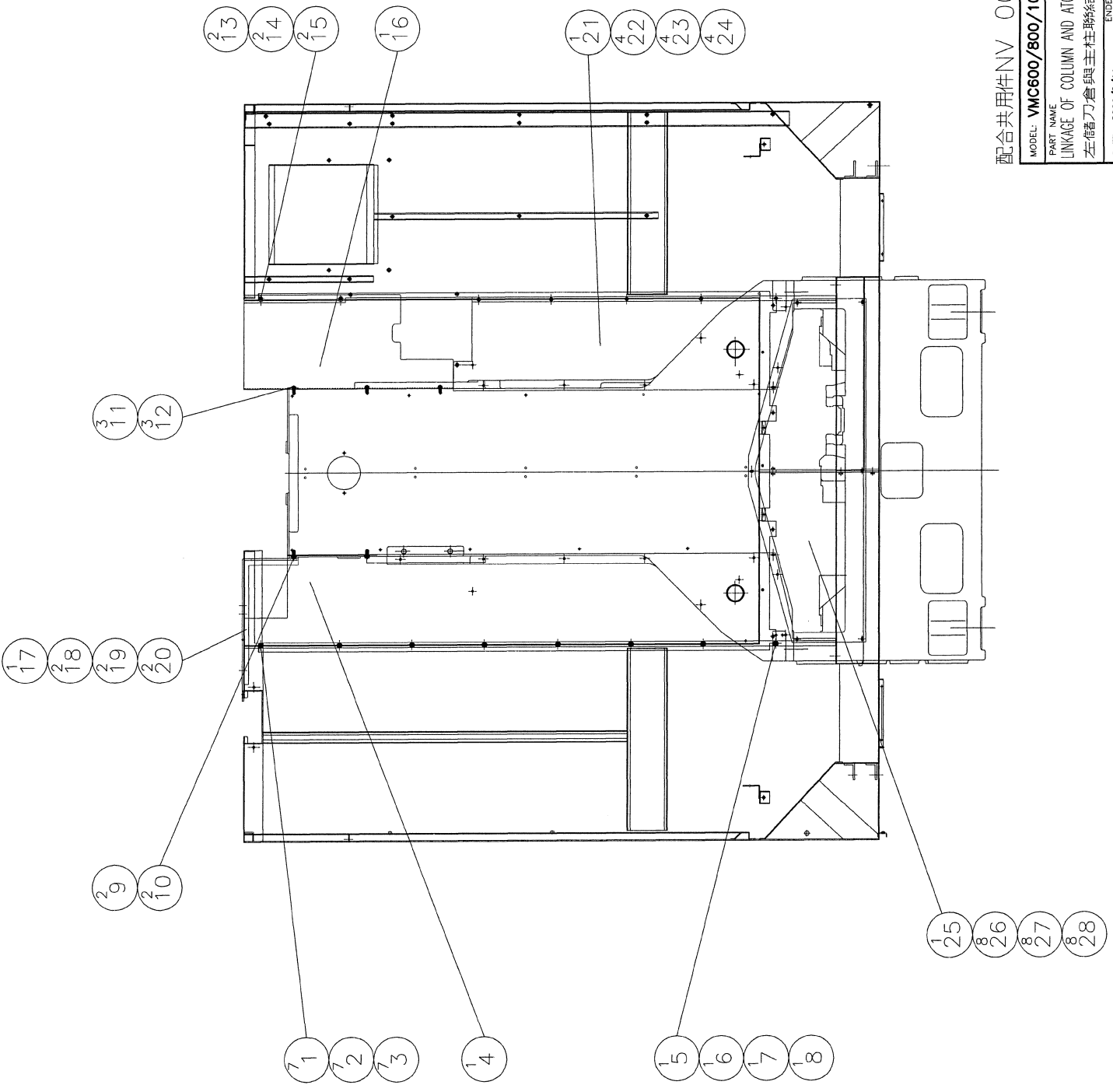
左儲刀倉與主柱聯結(斗笠式)(共用件)

Item	Part NO.	Description	中文名稱	Specification	Qty	Unit
1.00	NV 000599026A	PLATE, SPLASH GUARD	檔水板	L380xW230x4.6	1.00	EA
2.00	MS 0103618	SOCKET HEAD CAP SCREW	六角穴圓頭螺絲	M6xP1.0xL20	3.00	EA
3.00	MW 0183610	SPRING WASHER	彈簧墊圈	M6	3.00	EA
4.00	MW 0103610	FLAT WASHER	平墊圈	M6(d6*D19*H2)	3.00	EA
5.00	MS 0104218	SOCKET HEAD CAP SCREW	六角穴圓頭螺絲	M12xP1.75X20	1.00	EA
6.00	MW 0184210	SPRING WASHER	彈簧墊圈	M12	1.00	EA
7.00	MW 0104210	FLAT WASHER	平墊圈	M12(d13xD34)	1.00	EA
8.00	MS 0103415	SOCKET HEAD CAP SCREW	六角穴圓頭螺絲	M4xP0.7xL10	2.00	EA
9.00	MW 0183410	SPRING WASHER	彈簧墊圈	M4	2.00	EA
10.00	MS 0103617	SOCKET HEAD CAP SCREW	六角穴圓頭螺絲	M6xP1.0xL16	3.00	EA
11.00	MW 0183610	SPRING WASHER	彈簧墊圈	M6	3.00	EA
12.00	MS 0103518	SOCKET HEAD CAP SCREW	六角穴圓頭螺絲	M5xP0.8xL20	2.00	EA
13.00	MW 0183510	SPRING WASHER	彈簧墊圈	M5	2.00	EA
14.00	MW 0103510	FLAT WASHER	平墊圈	M5	2.00	EA
15.00	NV 000199089A	COVER, DRUM MAGAZINE	上護蓋(斗笠式刀倉用)	L915xW802xH17	1.00	EA
16.00	MW 0183610	SPRING WASHER	彈簧墊圈	M6	2.00	EA
17.00	MS 0103615	SOCKET HEAD CAP SCREW	六角穴圓頭螺絲	M6xP1.0xL10	2.00	EA
18.00	NV 000399052A	SEAT, WIRE	電線支撐座	L32xW16xH12	1.00	EA
19.00	MW 0184210	SPRING WASHER	彈簧墊圈	M12	4.00	EA
20.00	MS 0104223	SOCKET HEAD CAP SCREW	六角穴圓頭螺絲	M12xP1.75xL45	4.00	EA

PRODUCT BOM MASTER AND SUB-ITEMS LIST

Item	Part NO.	Description	中文名稱	Specification	Qty	Unit
21.00	NV 000199096A	PLATE	墊塊(M12 washer)	D28xd13xf6 (M12 washer)	4.00	EA
22.00	NVA000399051A	PLATE	固定板	L90.6xW56.6xH50.5	1.00	EA
23.00	MW 0183310	SPRING WASHER	彈簧墊圈	M3	3.00	EA
24.00	MS 0333314	PAN HEAD PHILIPS SCREW	十字圓頭螺絲	M3xP0.5xL8	3.00	EA
25.00	NVC000199073A	LEFT BRACKET, MAGAZINE	左拖架	L983xW628.5xH287.5	1.00	ST
26.00	MS 0104622	SOCKET HEAD CAP SCREW	六角穴圓頭螺絲	M16xP2.0xL40	6.00	EA
27.00	NV 000399055A	PLATE	墊塊(M16 washer)	D Φ 32xd Φ 16.5xt6(M16 washer)	6.00	EA
28.00	MW 0184610	SPRING WASHER	彈簧墊圈	M16	6.00	EA
29.00	NV 00032530103	TAPER PIN	斜銷	Φ6x32L	2.00	EA

REV	DESCRIPTION	DATE	ECH
A	REVISION	2009/9/11	



配合共用件NV 000310057A

MODEL: VMC600/500/1000	PART NUMBER	REV. A
PART NAME	NV 000310063A	PAGE 1 OF 1
LINKAGE OF COLUMN AND ATC(LEFT)(DRUM TYPE ATC)		SCALE 1:20
左儲刀倉與主柱聯結(斗笠式ATC)		DATE 2009/9/11
		DESIGNER
		ETCH

PRODUCT BOM MASTER AND SUB-ITEMS LIST

Master Item Part NO.: NV 000310063A

Description: LINKAGE OF COLUMN AND ATC LEFT
左儲刀倉與支柱聯結(斗笠式)(需配共用件)

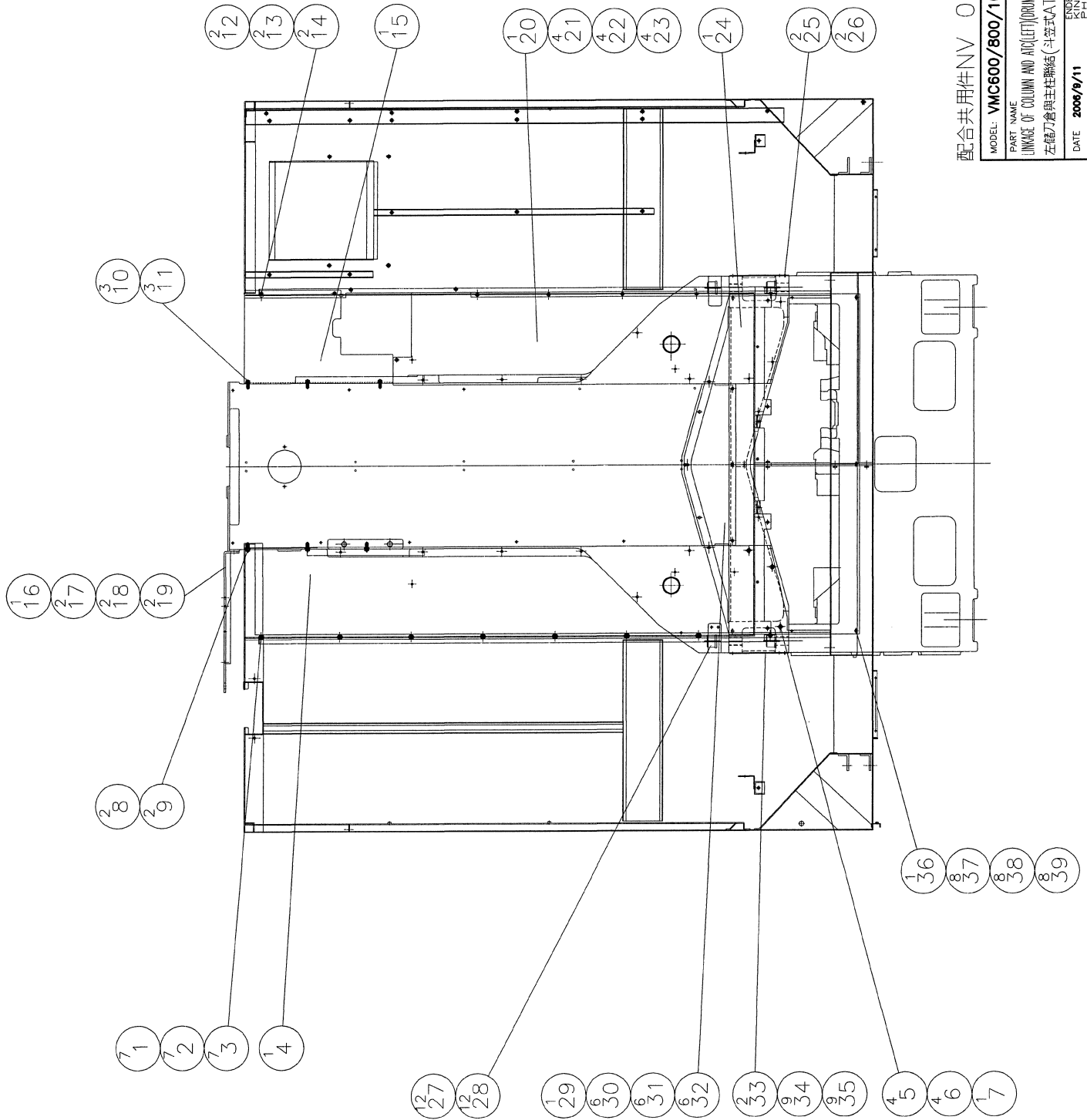
=====

Item Part NO.	Description	中文名稱	Specification	Qty	Unit
1.00 MS 0103618	SOCKET HEAD CAP SCREW	六角穴圓頭螺絲	M6xP1.0xL20	7.00	EA
2.00 MW 0183610	SPRING WASHER	彈簧墊圈	M6	7.00	ST
3.00 MW 0103610	FLAT WASHER	平墊圈	M6(d6*D19*H2)	7.00	ST
4.00 NV 000022223A	PLATE, GUARD REAR RIGHT	右後檔板	L1775xW280xH15	1.00	EA
5.00 MS 0103618	SOCKET HEAD CAP SCREW	六角穴圓頭螺絲	M6xP1.0xL20	1.00	EA
6.00 MW 0183610	SPRING WASHER	彈簧墊圈	M6	1.00	EA
7.00 MW 0103610	FLAT WASHER	平墊圈	M6(d6*D19*H2)	1.00	EA
8.00 MN 0113610	HEXAGON NUT	六角螺帽	M6xP1.0	1.00	EA
9.00 MS 0103617	SOCKET HEAD CAP SCREW	六角穴圓頭螺絲	M6xP1.0xL16	2.00	EA
10.00 MW 0183610	SPRING WASHER	彈簧墊圈	M6	2.00	EA
11.00 MS 0103517	SOCKET HEAD CAP SCREW	六角穴圓頭螺絲	M5xP0.8xL16	3.00	EA
12.00 MW 0183510	SPRING WASHER	彈簧墊圈	M5	3.00	EA
13.00 MW 0103610	FLAT WASHER	平墊圈	M6(d6*D19*H2)	2.00	EA
14.00 MW 0183610	SPRING WASHER	彈簧墊圈	M6	2.00	EA
15.00 MS 0103617	SOCKET HEAD CAP SCREW	六角穴圓頭螺絲	M6xP1.0xL16	2.00	EA
16.00 NV 000022224A	PLATE, GUARD REAR LEFT	左後檔板上(斗笠式)	L455.1xW280xH15	1.00	EA
17.00 NV 000599015B	PLATE, MOUNTING POWER CASE	固定板	L428.5xW130xH169	1.00	EA
18.00 MS 0103818	SOCKET HEAD CAP SCREW	六角穴圓頭螺絲	M8xP1.25xL20	2.00	EA
19.00 MW 0183810	SPRING WASHER	彈簧墊圈	M8	2.00	EA
20.00 MW 0103810	FLAT WASHER	平墊圈	M8 (d8*D22.2)	2.00	EA

PRODUCT BOM MASTER AND SUB-ITEMS LIST

Item Part NO.	Description	中文名稱	Specification	Qty	Unit
21.00 NVA000022126A	PLATE, GUARD REAR LEFT	左後檔板	L1145xW280xH2.3	1.00	EA
22.00 MS 0103617	SOCKET HEAD CAP SCREW	六角穴圓頭螺絲	M6xP1.0xL16	4.00	EA
23.00 MW 0183610	SPRING WASHER	彈簧墊圈	M6	4.00	EA
24.00 MW 0103610	FLAT WASHER	平墊圈	M6(d6*D19*H2)	4.00	EA
25.00 NV 000199055A	COVER, COLUMN REAR	立柱蓋板	L1030XW349XL2.3	1.00	EA
26.00 MS 0103516	SOCKET HEAD CAP SCREW	六角穴圓頭螺絲	M5xP0.8xL12	8.00	EA
27.00 MW 0183510	SPRING WASHER	彈簧墊圈	M5	8.00	EA
28.00 MW 0103510	FLAT WASHER	平墊圈	M5	8.00	EA

REV	DESCRIPTION	DATE	ECN
A	REWORK	2006/9/11	



配合共用件NV 000310057A

MODEL: VMC600/800/1000

PART NAME

LINKAGE OF COLUMN AND AC(LEFT)(ORUM TYPE ATC)(Z AXIS 180MM ADDED)

左鏈力臂與主柱聯結(斗笠式ATC,立柱加高180mm)

DATE: 2006/9/11

SCALE: 1:20

REV: A

PAGE: 1 OF 1

REV: A

DATE: 2006/9/11

SCALE: 1:20

REV: A

PAGE: 1 OF 1

REV: A

DATE: 2006/9/11

SCALE: 1:20

REV: A

PAGE: 1 OF 1

REV: A

DATE: 2006/9/11

SCALE: 1:20

REV: A

PAGE: 1 OF 1

REV: A

DATE: 2006/9/11

SCALE: 1:20

REV: A

PAGE: 1 OF 1

REV: A

DATE: 2006/9/11

SCALE: 1:20

REV: A

PAGE: 1 OF 1

REV: A

DATE: 2006/9/11

SCALE: 1:20

REV: A

PAGE: 1 OF 1

REV: A

DATE: 2006/9/11

SCALE: 1:20

REV: A

PAGE: 1 OF 1

REV: A

DATE: 2006/9/11

SCALE: 1:20

REV: A

PAGE: 1 OF 1

REV: A

DATE: 2006/9/11

SCALE: 1:20

REV: A

PAGE: 1 OF 1

REV: A

DATE: 2006/9/11

SCALE: 1:20

REV: A

PAGE: 1 OF 1

REV: A

DATE: 2006/9/11

SCALE: 1:20

REV: A

PAGE: 1 OF 1

REV: A

DATE: 2006/9/11

SCALE: 1:20

REV: A

PAGE: 1 OF 1

REV: A

DATE: 2006/9/11

SCALE: 1:20

REV: A

PAGE: 1 OF 1

REV: A

DATE: 2006/9/11

SCALE: 1:20

REV: A

PAGE: 1 OF 1

REV: A

DATE: 2006/9/11

SCALE: 1:20

REV: A

PAGE: 1 OF 1

REV: A

DATE: 2006/9/11

SCALE: 1:20

REV: A

PAGE: 1 OF 1

REV: A

DATE: 2006/9/11

SCALE: 1:20

REV: A

PAGE: 1 OF 1

REV: A

DATE: 2006/9/11

SCALE: 1:20

REV: A

PAGE: 1 OF 1

REV: A

DATE: 2006/9/11

SCALE: 1:20

REV: A

PAGE: 1 OF 1

REV: A

DATE: 2006/9/11

SCALE: 1:20

REV: A

PAGE: 1 OF 1

REV: A

DATE: 2006/9/11

SCALE: 1:20

REV: A

PAGE: 1 OF 1

REV: A

DATE: 2006/9/11

SCALE: 1:20

REV: A

PAGE: 1 OF 1

REV: A

DATE: 2006/9/11

SCALE: 1:20

REV: A

PAGE: 1 OF 1

REV: A

DATE: 2006/9/11

SCALE: 1:20

REV: A

PAGE: 1 OF 1

REV: A

DATE: 2006/9/11

SCALE: 1:20

REV: A

PAGE: 1 OF 1

REV: A

DATE: 2006/9/11

SCALE: 1:20

REV: A

PAGE: 1 OF 1

REV: A

DATE: 2006/9/11

SCALE: 1:20

REV: A

PAGE: 1 OF 1

REV: A

DATE: 2006/9/11

SCALE: 1:20

REV: A

PAGE: 1 OF 1

REV: A

DATE: 2006/9/11

SCALE: 1:20

REV: A

PAGE: 1 OF 1

REV: A

DATE: 2006/9/11

SCALE: 1:20

REV: A

PAGE: 1 OF 1

REV: A

DATE: 2006/9/11

SCALE: 1:20

REV: A

PAGE: 1 OF 1

REV: A

DATE: 2006/9/11

SCALE: 1:20

REV: A

PAGE: 1 OF 1

REV: A

DATE: 2006/9/11

SCALE: 1:20

REV: A

PAGE: 1 OF 1

REV: A

DATE: 2006/9/11

SCALE: 1:20

REV: A

PAGE: 1 OF 1

REV: A

DATE: 2006/9/11

SCALE: 1:20

REV: A

PAGE: 1 OF 1

REV: A

DATE: 2006/9/11

SCALE: 1:20

REV: A

PAGE: 1 OF 1

REV: A

DATE: 2006/9/11

SCALE: 1:20

REV: A

PAGE: 1 OF 1

REV: A

DATE: 2006/9/11

SCALE: 1:20

REV: A

PAGE: 1 OF 1

REV: A

DATE: 2006/9/11

SCALE: 1:20

REV: A

PAGE: 1 OF 1

REV: A

DATE: 2006/9/11

SCALE: 1:20

REV: A

PAGE: 1 OF 1

REV: A

DATE: 2006/9/11

SCALE: 1:20

REV: A

PAGE: 1 OF 1

REV: A

DATE: 2006/9/11

SCALE: 1:20

REV: A

PAGE: 1 OF 1

REV: A

DATE: 2006/9/11

SCALE: 1:20

REV: A

PAGE: 1 OF 1

REV: A

DATE: 2006/9/11

SCALE: 1:20

REV: A

PAGE: 1 OF 1

REV: A

DATE: 2006/9/11

SCALE: 1:20

REV: A

PAGE: 1 OF 1

REV: A

DATE: 2006/9/11

SCALE: 1:20

REV: A

PAGE: 1 OF 1

REV: A

DATE: 2006/9/11

SCALE: 1:20

REV: A

PAGE: 1 OF 1

REV: A

DATE: 2006/9/11

SCALE: 1:20

REV: A

PAGE: 1 OF 1

REV: A

DATE: 2006/9/11

SCALE: 1:20

REV: A

PAGE: 1 OF 1

REV: A

DATE: 2006/9/11

SCALE: 1:20

REV: A

PAGE: 1 OF 1

REV: A

DATE: 2006/9/11

SCALE: 1:20

REV: A

PAGE: 1 OF 1

REV: A

DATE: 2006/9/11

SCALE: 1:20

REV: A

PAGE: 1 OF 1

REV: A

DATE: 2006/9/11

SCALE: 1:20

REV: A

PAGE: 1 OF 1

REV: A

DATE: 2006/9/11

SCALE: 1:20

REV: A

PRODUCT BOM MASTER AND SUB-ITEMS LIST

Master Item Part NO.: NV 000310059A

Description: LINKAGE OF COLUMN AND ATC LEFT

左儲刀倉與主柱聯結(斗笠式,立柱加高180)(需配共用件)

Item Part No.	Description	中文名稱	Specification	Qty	Unit
1.00 MS 0103618	SOCKET HEAD CAP SCREW	六角穴圓頭螺絲	M6xP1.0xL20	7.00	EA
2.00 MW 0183610	SPRING WASHER	彈簧墊圈	M6	7.00	EA
3.00 MW 0103610	FLAT WASHER	平墊圈	M6(d6*D19*H2)	7.00	EA
4.00 NV 000022233A	PLATE, GUARD REAR RIGHT	右後檔板(立柱墊高180MM用)	W1374xL280xH17	1.00	EA
5.00 MS 0103517	SOCKET HEAD CAP SCREW	六角穴圓頭螺絲	M5xP0.8xL16	4.00	EA
6.00 MW 0183510	SPRING WASHER	彈簧墊圈	M5	4.00	EA
7.00 MW 0103510	FLAT WASHER	平墊圈	M5	4.00	EA
8.00 MS 0103617	SOCKET HEAD CAP SCREW	六角穴圓頭螺絲	M6xP1.0xL16	2.00	EA
9.00 MW 0183610	SPRING WASHER	彈簧墊圈	M6	2.00	EA
10.00 MS 0103517	SOCKET HEAD CAP SCREW	六角穴圓頭螺絲	M5xP0.8xL16	3.00	EA
11.00 MW 0183510	SPRING WASHER	彈簧墊圈	M5	3.00	EA
12.00 MW 0103610	FLAT WASHER	平墊圈	M6(d6*D19*H2)	2.00	EA
13.00 MW 0183610	SPRING WASHER	彈簧墊圈	M6	2.00	EA
14.00 MS 0103617	SOCKET HEAD CAP SCREW	六角穴圓頭螺絲	M6xP1.0xL16	2.00	EA
15.00 NV 000022231A	PLATE, GUARD, UPPER REAR LEFT	左後檔板上(立柱墊高180MM用,斗笠式)	W449x282.5x17	1.00	EA
16.00 NV 000799082A	PLATE, MOUNTING POWER CASE	固定板	L428.5xW130xH46	1.00	EA
17.00 MS 0103818	SOCKET HEAD CAP SCREW	六角穴圓頭螺絲	M8xP1.25xL20	2.00	EA
18.00 MW 0183810	SPRING WASHER	彈簧墊圈	M8	2.00	EA
19.00 MW 0103810	FLAT WASHER	平墊圈	M8 (d8*D22.2)	2.00	EA
20.00 NV 000022154A	PLATE, GUARD REAR LEFT	左後檔板	L1320xW285xH2.3	1.00	EA

PRODUCT BOM MASTER AND SUB-ITEMS LIST

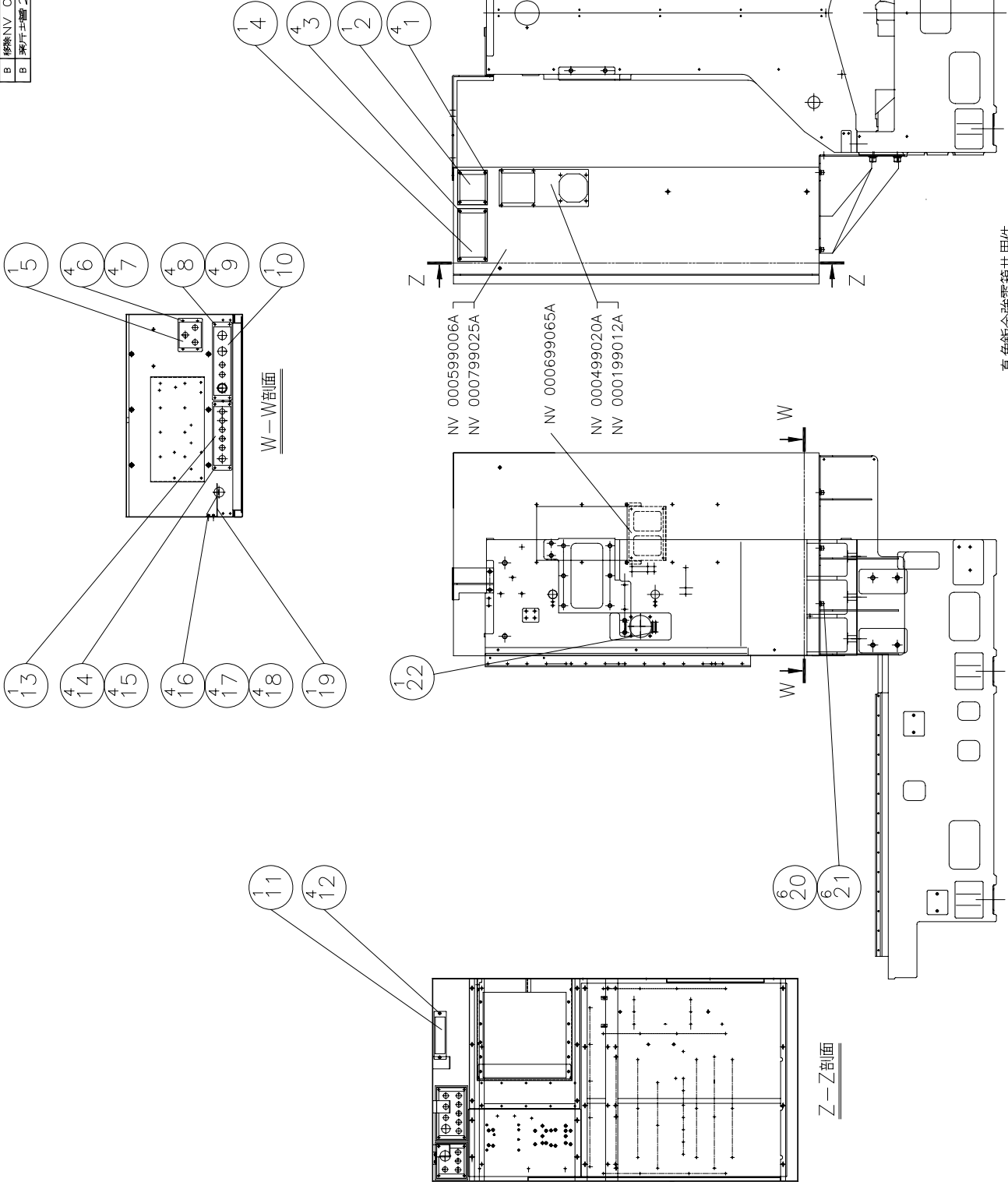
Item Part NO.	Description	中文名稱	Specification	Qty	Unit
21.00 MS 0103617	SOCKET HEAD CAP SCREW	六角穴圓頭螺絲	M6xP1.0xL16	4.00	EA
22.00 MW 0183610	SPRING WASHER	彈簧墊圈	M6	4.00	EA
23.00 MW 0103610	FLAT WASHER	平墊圈	M6(d6*D19*H2)	4.00	EA
24.00 NV 001066156A	SPACER, COLUMN	立柱加高墊塊	L1141xW475xH180	1.00	EA
25.00 MS 0104017	SOCKET HEAD CAP SCREW	六角穴圓頭螺絲	M10xP1.5xL16	2.00	EA
26.00 MW 0184010	SPRING WASHER	彈簧墊圈	M10	2.00	EA
27.00 MS 0105330	SOCKET HEAD CAP SCREW	六角穴圓頭螺絲	M24xP3.0xL80	12.00	EA
28.00 MW 0185310	SPRING WASHER	彈簧墊圈	M24	12.00	EA
29.00 NV 000499003A	COVER, COLUMN FRONT	立柱蓋板	L480xW164xH2.3	1.00	EA
30.00 MS 0103616	SOCKET HEAD CAP SCREW	六角穴圓頭螺絲	M6xP1.0xL12	6.00	EA
31.00 MW 0183610	SPRING WASHER	彈簧墊圈	M6	6.00	EA
32.00 MW 0103610	FLAT WASHER	平墊圈	M6(d6*D19*H2)	6.00	EA
33.00 NV 000499007A	COVER, COLUMN FRONT	立柱蓋板	L475xW179xH2.3	2.00	EA
34.00 MS 0103616	SOCKET HEAD CAP SCREW	六角穴圓頭螺絲	M6xP1.0xL12	9.00	EA
35.00 MW 0183610	SPRING WASHER	彈簧墊圈	M6	9.00	EA
36.00 NV 000499002A	COVER, COLUMN REAR	立柱蓋板	L1030xW531xH2.3	1.00	EA
37.00 MS 0103616	SOCKET HEAD CAP SCREW	六角穴圓頭螺絲	M6xP1.0xL12	8.00	EA
38.00 MW 0183610	SPRING WASHER	彈簧墊圈	M6	8.00	EA
39.00 MW 0103610	FLAT WASHER	平墊圈	M6(d6*D19*H2)	8.00	EA

Chapter 6

強電箱

Power Case

REV.	DESCRIPTION	DATE	ECN.
A	新形	2006/8/21	
B	移称 NV 000599006A 2007/7/2	65	
B	移称 NV 000599006A 2007/10/9	83	



直角鉄金強電箱共用件

MODEL: VMC600/800/1000

PART NAME

POWER CASE

角電箱

PART NUMBER

NV 000415818A

PAGE 1 OF 1

REV. B

SCALE 1:25

DATE 2006/8/21

ENDERK

PHIL

PRODUCT BOM MASTER AND SUB-ITEMS LIST

Master Item Part NO.: NV 000415818A

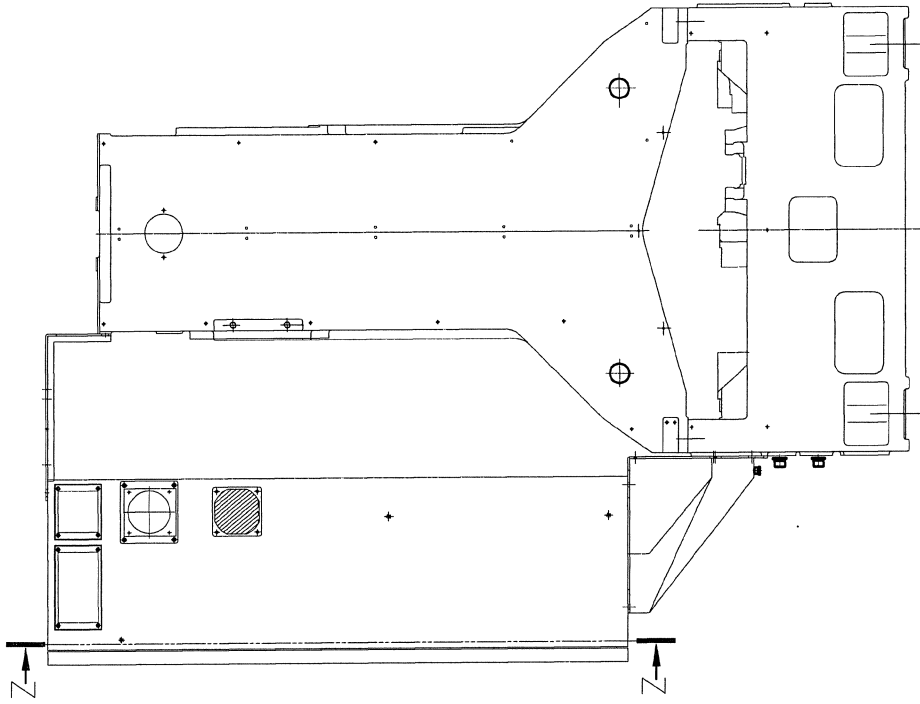
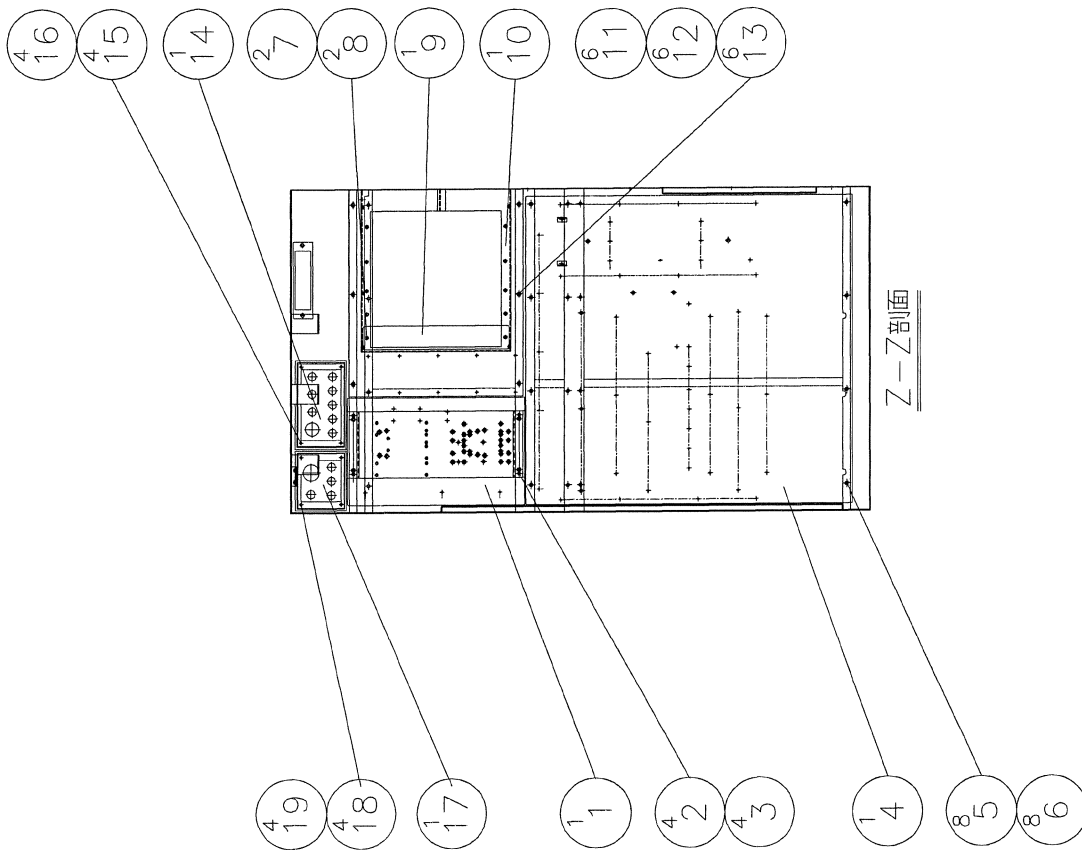
Description: POWER CASE (COMMON PARTS)
強電箱(共用件)

Item	Part NO.	Description	中文名稱	Specification	Qty	Unit
1.00	MS 0313514	FLAT HD. SOCKET	六角穴平頭螺絲	M5xP0.8xL8	4.00	EA
2.00	NV 000499034A	COVEER	蓋板	L140xW120xH2.3	1.00	EA
3.00	MS 0313514	FLAT HD. SOCKET	六角穴平頭螺絲	M5xP0.8xL8	4.00	EA
4.00	NV 000499033A	COVEER	蓋板	L258xW120xH2.3	1.00	EA
5.00	NV 000199011A	PLATE,WIRE OUTLET	出線板	L136xW100xH2.3	1.00	EA
6.00	MS 0103414	SOCKET HEAD CAP SCREW	六角穴圓頭螺絲	M4xP0.7xL8	4.00	EA
7.00	MW 0183410	SPRING WASHER	彈簧墊圈	M4	4.00	EA
8.00	MS 0103414	SOCKET HEAD CAP SCREW	六角穴圓頭螺絲	M4xP0.7xL8	4.00	EA
9.00	MW 0183410	SPRING WASHER	彈簧墊圈	M4	4.00	EA
10.00	NV 000199010A	PLATE, WIRE OUTLET	出線板	L320xW80xH2.3	1.00	EA
11.00	NV 000499035A	COVEER	蓋板	L196xW50xH2.3	1.00	EA
12.00	MS 0313514	FLAT HD. SOCKET	六角穴平頭螺絲	M5xP0.8xL8	4.00	EA
13.00	NV 000499086A	PLATE,WIRE OUTLOOK	出線板	L280xW80xH2.3	1.00	EA
14.00	MS 0103414	SOCKET HEAD CAP SCREW	六角穴圓頭螺絲	M4xP0.7xL8	4.00	EA
15.00	MW 0183410	SPRING WASHER	彈簧墊圈	M4	4.00	EA
16.00	MS 0103515	SOCKET HEAD CAP SCREW	六角穴圓頭螺絲	M5xP0.8xL10	4.00	EA
17.00	MW 0183510	SPRING WASHER	彈簧墊圈	M5	4.00	EA
18.00	MW 0103510	FLAT WASHER	平墊圈	M5	4.00	EA
19.00	NV 000199013A	BRACKET, MAIN SWITCH	主開關托架	L135xW150xH45	1.00	EA
20.00	MS 0104017	SOCKET HEAD CAP SCREW	六角穴圓頭螺絲	M10xP1.5xL16	6.00	EA

PRODUCT BOM MASTER AND SUB-ITEMS LIST

Item	Part NO.	Description	中文名稱	Specification	Qty	Unit
21.00	MW 0184010	SPRING WASHER	彈簧墊圈	M10	6.00	EA
22.00	NV 000199113A	BRACKE TPLATE, MAIN SWITCH	主開關托架護板	L250xW110xH1.0	1.00	ST

REV.	DESCRIPTION	DATE	ED.
A	新仕様	2006/8/21	



配合共用件NV 000415818A

MODEL: VMC600/800/1000		PART NUMBER	
PART NAME		NV 000415822A	
POWER CASE (FANUC)		PAGE 1 OF 1	
強電箱 (FANUC)		REV. A	
DATE	2006/8/21	SCALE	1:20
ENDERK KIN PHIL			

PRODUCT BOM MASTER AND SUB-ITEMS LIST

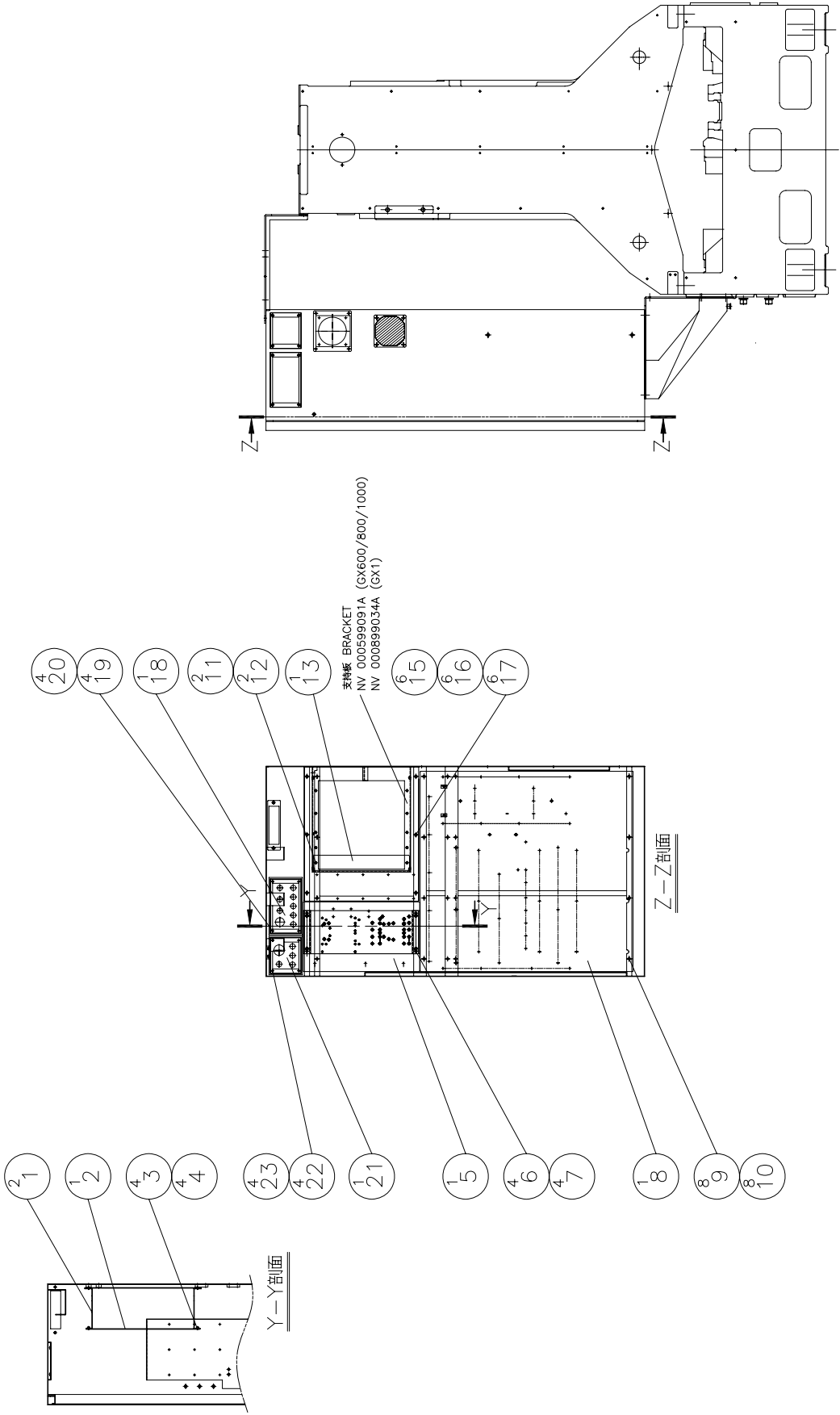
Master Item Part NO.: NV 000415822A

Description: POWER CASE(FANUC)

強電箱(FANUC)(需配共用件)

Item	Part NO.	Description	中文名稱	Specification	Qty	Unit
1.00	NV 000299072A	PLATE, POWER CASE	強電板(上)	L460xW275xH2.3	1.00	EA
2.00	MS 0103817	SOCKET HEAD CAP SCREW	六角穴圓頭螺絲	M8xP1.25xL16	4.00	EA
3.00	MW 0183810	SPRING WASHER	彈簧墊圈	M8	4.00	EA
4.01	NV 000799059A	PLATE,POWER CASE	強電板(下)	L870xW790xH2.3	1.00	EA
5.00	MS 0103817	SOCKET HEAD CAP SCREW	六角穴圓頭螺絲	M8xP1.25xL16	8.00	EA
6.00	MW 0183810	SPRING WASHER	彈簧墊圈	M8	8.00	EA
7.00	MS 0103514	SOCKET HEAD CAP SCREW	六角穴圓頭螺絲	M5xP0.8xL8	2.00	EA
8.00	MW 0183510	SPRING WASHER	彈簧墊圈	M5	2.00	EA
9.00	NV 000199009A	COVER	蓋板	L380xW60xH2.3	1.00	EA
11.00	MS 0103817	SOCKET HEAD CAP SCREW	六角穴圓頭螺絲	M8xP1.25xL16	6.00	EA
12.00	MW 0183810	SPRING WASHER	彈簧墊圈	M8	6.00	EA
13.00	MW 0103810	FLAT WASHER	平墊圈	M8 (d8*D22.2)	6.00	EA
14.00	NV 000599081A	PLATE,WIRE OUTLET	出線板	L211xW120xH2.3	1.00	EA
15.00	MS 0103514	SOCKET HEAD CAP SCREW	六角穴圓頭螺絲	M5xP0.8xL8	4.00	EA
16.00	MW 0183510	SPRING WASHER	彈簧墊圈	M5	4.00	EA
17.00	NV 000599083A	PLATE,WIRE OUTLET	出線板	L140xW120xH2.3	1.00	EA
18.00	MS 0103514	SOCKET HEAD CAP SCREW	六角穴圓頭螺絲	M5xP0.8xL8	4.00	EA
19.00	MW 0183510	SPRING WASHER	彈簧墊圈	M5	4.00	EA

REV.	DESCRIPTION	DATE	ECN.
A	新形	2006/8/21	
B	乙型端子板電圧端子位置変更	2007/9/17	B 1 Z



配合共用件NV 000415818A

MODEL: VMC600/800/1000	
PART NAME	PART NUMBER
POWER CASE (FANUC-CE)	NV 000415819A
強電箱 (FANUC-CE)	PAGE 1 OF 1
DATE 2006/8/21	ENDERK PHIL
SCALE 1:25	REV. B

PRODUCT BOM MASTER AND SUB-ITEMS LIST

Master Item Part NO.: NV 000415819A

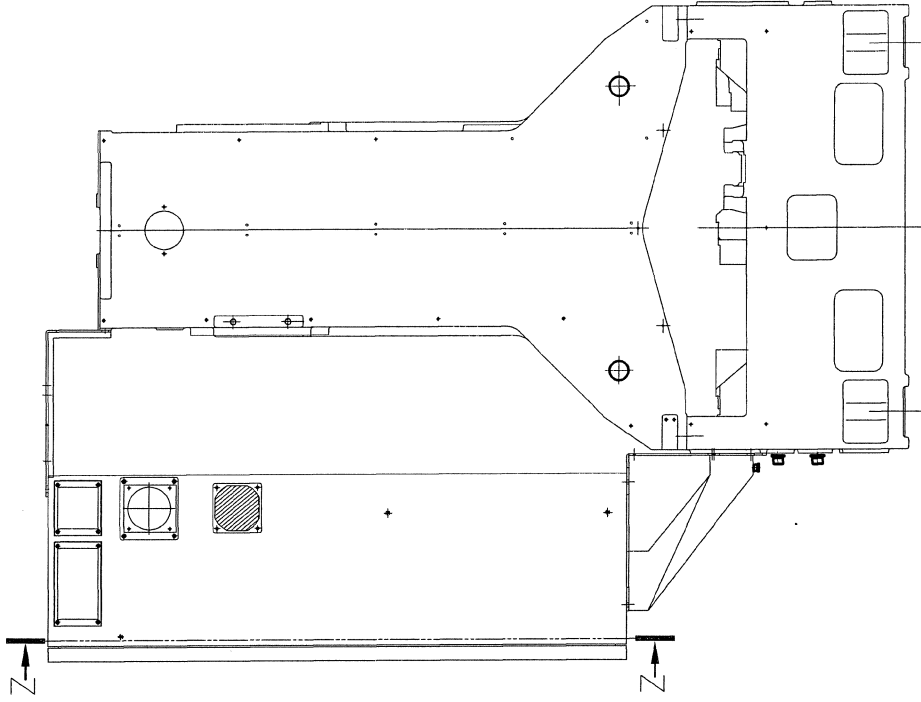
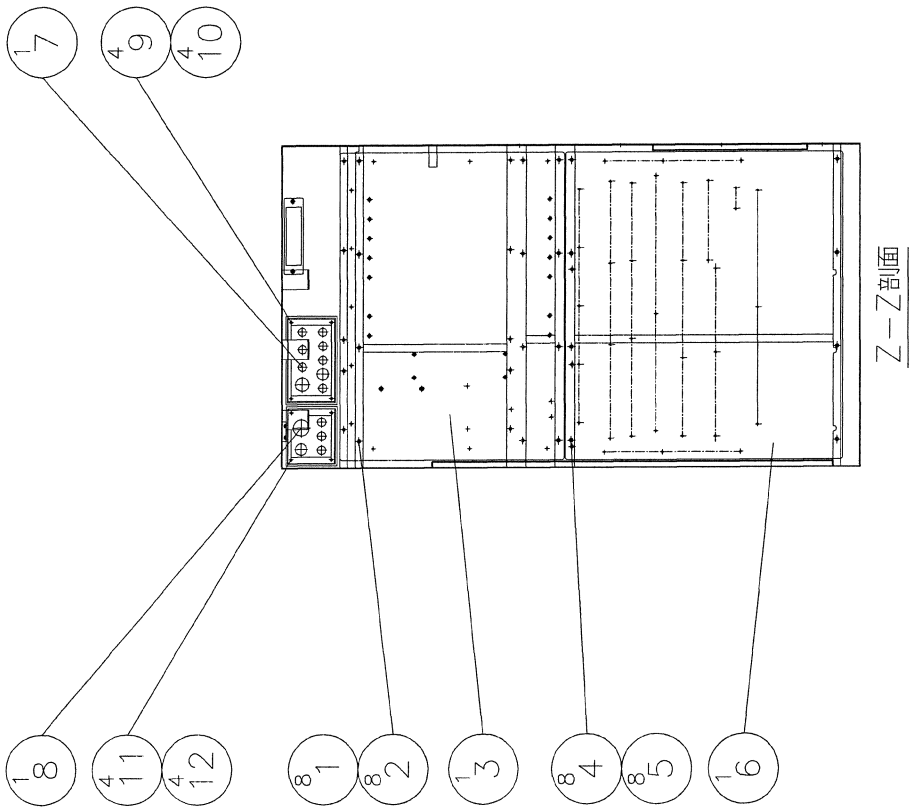
Description: POWER CASE (FANUC-CE)
強電箱(FANUC-CE)(需配共用件)

Item	Part NO.	Description	中文名稱	Specification	Qty	Unit
1.00	NV 000299075A	BRACKET	支持板	L170xW135xH30	2.00	EA
2.01	NV 000299076A	PLATE, POWER CASE	強電板(上)	L450xW170xH2.3	1.00	EA
3.00	MS 0103617	SOCKET HEAD CAP SCREW	六角穴圓頭螺絲	M6xP1.0xL16	4.00	EA
4.00	MW 0183610	SPRING WASHER	彈簧墊圈	M6	4.00	EA
5.00	NV 000299072A	PLATE, POWER CASE	強電板(上)	L460xW275xH2.3	1.00	EA
6.00	MS 0103817	SOCKET HEAD CAP SCREW	六角穴圓頭螺絲	M8xP1.25xL16	4.00	EA
7.00	MW 0183810	SPRING WASHER	彈簧墊圈	M8	4.00	EA
8.01	NV 000799059A	PLATE,POWER CASE	強電板(下)	L870xW790xH2.3	1.00	EA
9.00	MS 0103817	SOCKET HEAD CAP SCREW	六角穴圓頭螺絲	M8xP1.25xL16	8.00	EA
10.00	MW 0183810	SPRING WASHER	彈簧墊圈	M8	8.00	EA
11.00	MS 0103514	SOCKET HEAD CAP SCREW	六角穴圓頭螺絲	M5xP0.8xL8	2.00	EA
12.00	MW 0183510	SPRING WASHER	彈簧墊圈	M5	2.00	EA
13.00	NV 000199009A	COVER	蓋板	L380xW60xH2.3	1.00	EA
15.00	MS 0103817	SOCKET HEAD CAP SCREW	六角穴圓頭螺絲	M8xP1.25xL16	6.00	EA
16.00	MW 0183810	SPRING WASHER	彈簧墊圈	M8	6.00	EA
17.00	MW 0103810	FLAT WASHER	平墊圈	M8 (d8*D22.2)	6.00	EA
18.00	NV 000599081A	PLATE,WIRE OUTLET	出線板	L211xW120xH2.3	1.00	EA
19.00	MS 0103514	SOCKET HEAD CAP SCREW	六角穴圓頭螺絲	M5xP0.8xL8	4.00	EA
20.00	MW 0183510	SPRING WASHER	彈簧墊圈	M5	4.00	EA
21.00	NV 000599083A	PLATE,WIRE OUTLET	出線板	L140xW120xH2.3	1.00	EA

PRODUCT BOM MASTER AND SUB-ITEMS LIST

Item	Part NO.	Description	中文名稱	Specification	Qty	Unit
22.00	MS 0103514	SOCKET HEAD CAP SCREW	六角穴圓頭螺絲	M5xP0.8xL8	4.00	EA
23.00	MW 0183510	SPRING WASHER	彈簧墊圈	M5	4.00	EA

REV	DESCRIPTION	DATE	ECN
A	新仕様	2006/9/8	



配合共用件NV 000415818A

MODEL: VMC600/800/1000	PART NUMBER
PART NAME	NV 000415821A
POWER CASE (HEIDENHAIN)	PAGE 1 OF 1
強電箱 (HEIDENHAIN)	REV. A
DATE 2006/9/8	SCALE 1:20
ENDERK KIN PHL	

PRODUCT BOM MASTER AND SUB-ITEMS LIST

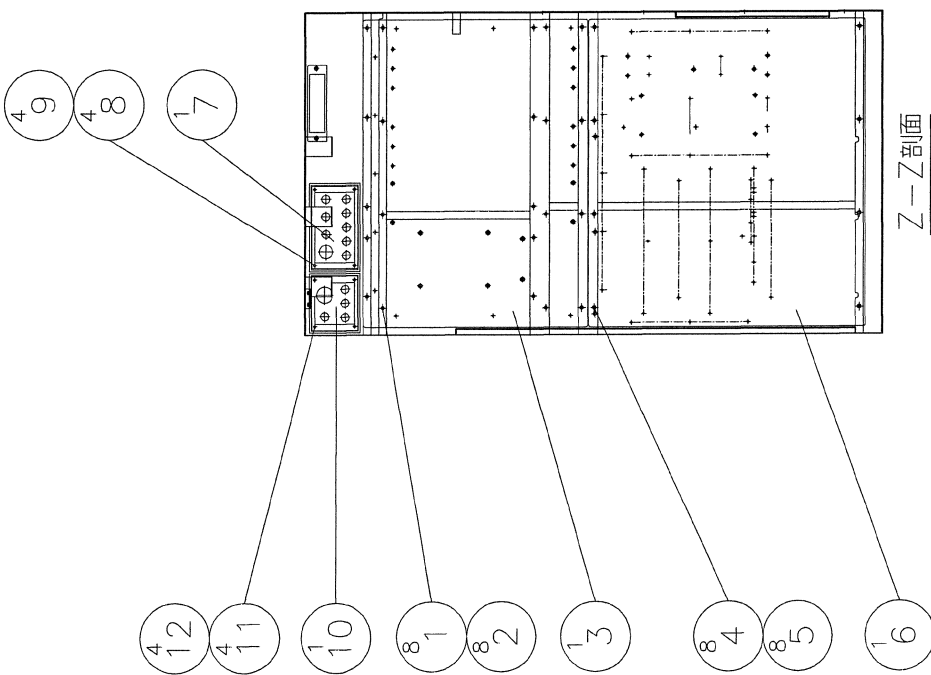
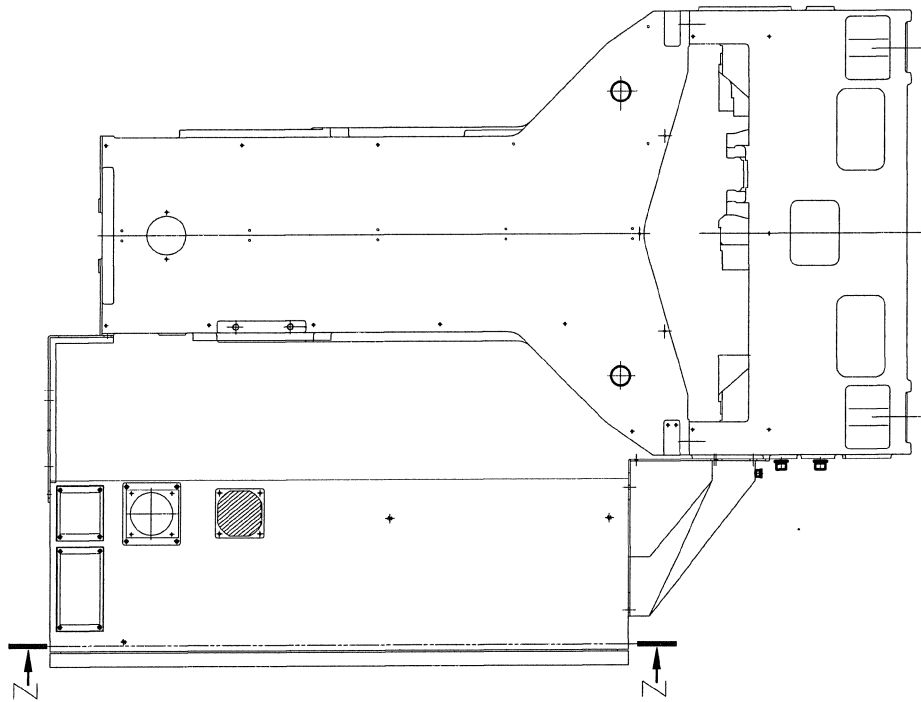
Master Item Part NO.: NV 000415821A

Description: POWER CASE(HEIDENHAIN)

強電箱(HEIDENHAIN)(需配共用件)

Item Part NO.	Description	中文名稱	Specification	Qty	Unit
1.00 MS 0103817	SOCKET HEAD CAP SCREW	六角穴圓頭螺絲	M8xP1.25xL16	8.00	EA
2.00 MW 0183810	SPRING WASHER	彈簧墊圈	M8	8.00	EA
3.00 NV 000599070A	PLATE, POWER CASE	強電板(上)	L580xW790xH2.3(HEIDENHAIN)	1.00	EA
4.00 MS 0103817	SOCKET HEAD CAP SCREW	六角穴圓頭螺絲	M8xP1.25xL16	8.00	EA
5.00 MW 0183810	SPRING WASHER	彈簧墊圈	M8	8.00	EA
6.02 NVA000799081A	PLATE, POWER CASE	強電板(下)(HEIDENHAIN)	L790xW715xT2.3	1.00	EA
7.00 NV 000799085A	PLATE, WIRE OUTLET	出線板(HEIDENHAIN)	L211xW120xT2.3	1.00	ST
8.00 NV 000799086A	PLATE, WIRE OUTLET	出線板(HEIDENHAIN)	L140xW120xT2.3	1.00	ST
9.00 MW 0183510	SPRING WASHER	彈簧墊圈	M5	4.00	EA
10.00 MS 0103514	SOCKET HEAD CAP SCREW	六角穴圓頭螺絲	M5xP0.8xL8	4.00	EA
11.00 MW 0183510	SPRING WASHER	彈簧墊圈	M5	4.00	EA
12.00 MS 0103514	SOCKET HEAD CAP SCREW	六角穴圓頭螺絲	M5xP0.8xL8	4.00	EA

REV	DESCRIPTION	DATE	ECN
A	新仕様	2006/9/8	



配合共用件NV 000415818A

MODEL: VMC600/800/1000	PART NUMBER	REV. A
PART NAME	NV 000415820A	
POWER CASE (SIEMENS)		
強電箱 (SIEMENS)	PAGE 1 OF 1	
DATE 2006/9/8	SCALE 1:20	
ENDERKIN PHIL		

PRODUCT BOM MASTER AND SUB-ITEMS LIST

Master Item Part NO.: NV 000415820A

Description: POWER CASE(SIEMENS)

強電箱(SIEMENS)(需配共用件)

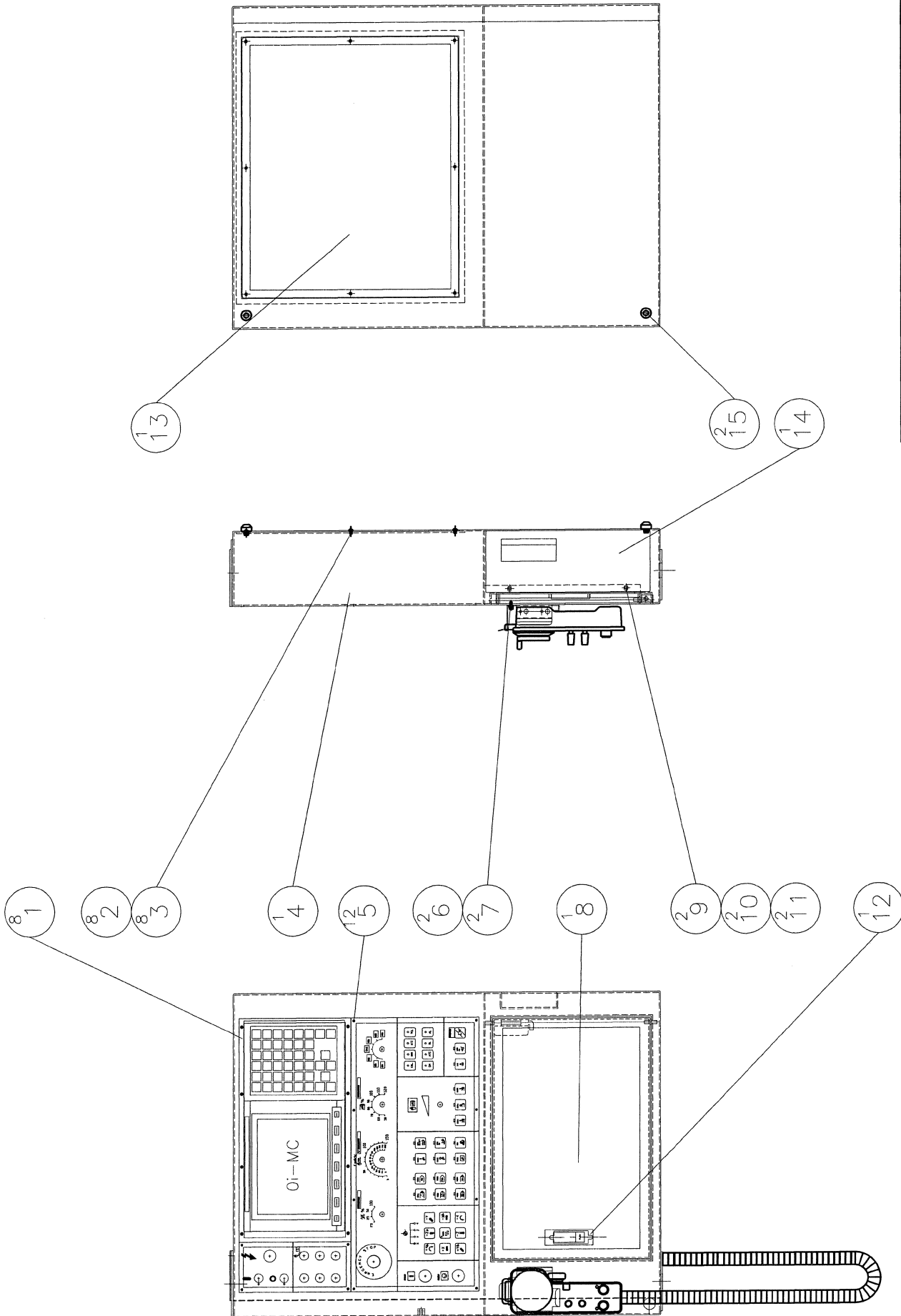
Item	Part NO.	Description	中文名稱	Specification	Qty	Unit
1.00	MS 0103817	SOCKET HEAD CAP SCREW	六角穴圓頭螺絲	M8xP1.25xL16	8.00	EA
2.00	MW 0183810	SPRING WASHER	彈簧墊圈	M8	8.00	EA
3.01	NV 000399036A	PLATE, POWER CASE	強電板(上)	L5800xW790xH2.3(SIEMENS)	1.00	EA
4.00	MS 0103817	SOCKET HEAD CAP SCREW	六角穴圓頭螺絲	M8xP1.25xL16	8.00	EA
5.00	MW 0183810	SPRING WASHER	彈簧墊圈	M8	8.00	EA
6.01	NV 000799040A	PLATE, POWER CASE	強電板(下)(西門子)	W790xL535xH2.3	1.00	ST
7.00	NV 000599081A	PLATE,WIRE OUTLET	出線板	L211xW120xH2.3	1.00	EA
8.00	MS 0103514	SOCKET HEAD CAP SCREW	六角穴圓頭螺絲	M5xP0.8xL8	4.00	EA
9.00	MW 0183510	SPRING WASHER	彈簧墊圈	M5	4.00	EA
10.00	NV 000599083A	PLATE,WIRE OUTLET	出線板	L140xW120xH2.3	1.00	EA
11.00	MS 0103514	SOCKET HEAD CAP SCREW	六角穴圓頭螺絲	M5xP0.8xL8	4.00	EA
12.00	MW 0183510	SPRING WASHER	彈簧墊圈	M5	4.00	EA

Chapter 7

操作箱

Operating Cabinet

REV.	DESCRIPTION	DATE	ENR.
A	新仕様	2006/9/28	



MODEL: VMC600/800/1000		PART NUMBER	
PART NAME		NV 001045351A	
OPERATOR CABINET.(FANUC-OiMC)		PAGE 1 OF 1	
操作箱(FANUC-OiMC)		REV. A	
DATE	2006/9/28	SCALE	1:22
ENDERK	KIN	PHIL	

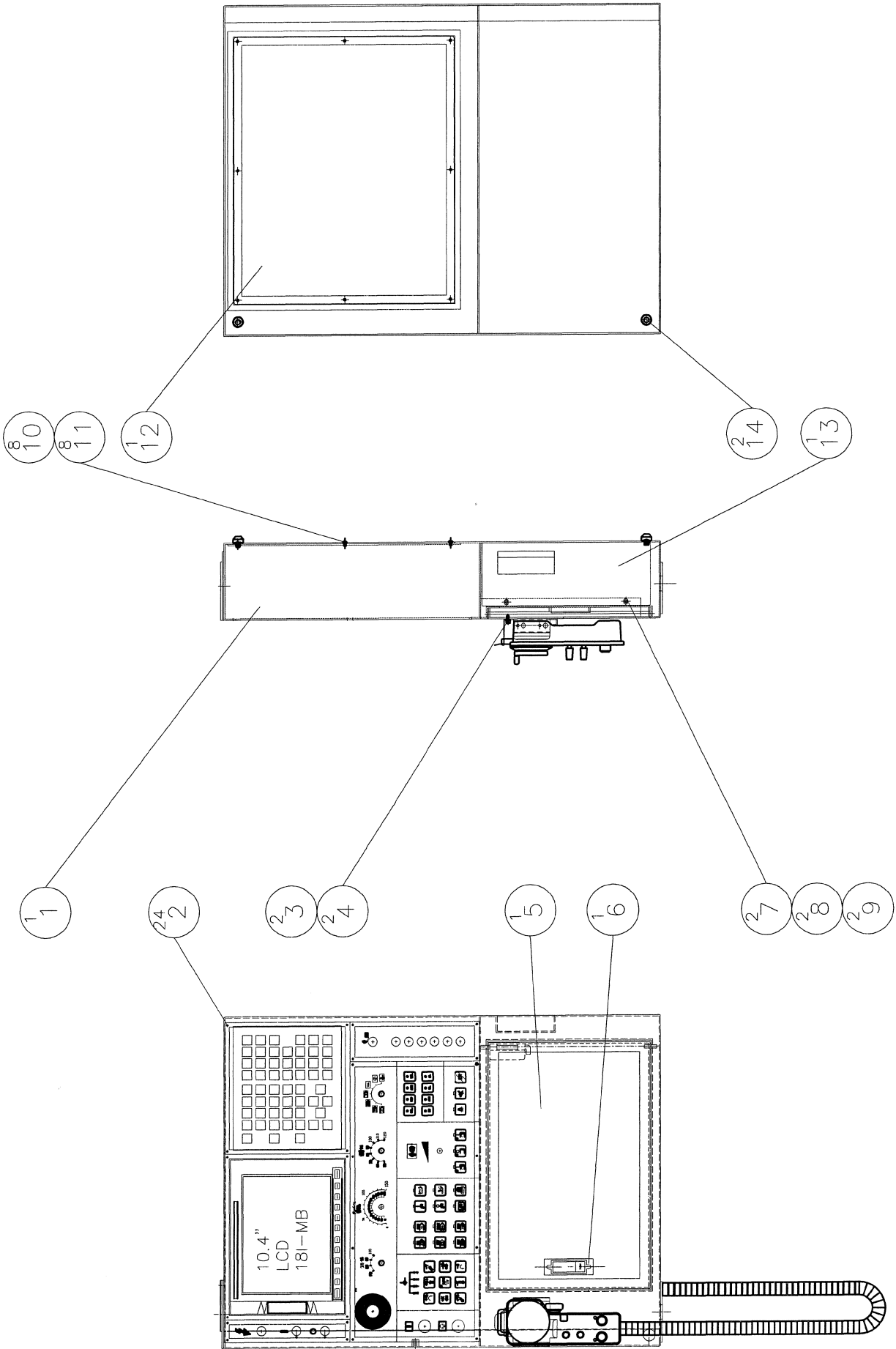
PRODUCT BOM MASTER AND SUB-ITEMS LIST

Master Item Part NO.: NV 001045351A

 Description: OPERATOR CABINET.(FANUC-0IMC)
 操作箱(FANUC-0IMC)

Item	Part NO.	Description	中文名稱	Specification	Qty	Unit
1.00	MN 0113410	HEXGON NUT	六角螺帽	M4xP0.7	8.00	EA
2.00	MW 0183410	SPRING WASHER	彈簧墊圈	M4	8.00	EA
3.00	MS 0303413	BUTTON HD. SOCKET	六角穴半圓頭螺絲	M4xP0.7xL6	8.00	EA
4.00	NV 000599056A	OPERATING PANEL CASE	操作箱(FANUC-0IMC)	L769xW580xH135	1.00	EA
5.00	MS 0303313	BUTTON HD. SOCKET	六角穴半圓頭螺絲	M3xP0.5xL6	12.00	EA
6.00	MS 0103414	SOCKET HEAD CAP SCREW	六角穴圓頭螺絲	M4xP0.7xL8	2.00	EA
7.00	MW 0183410	SPRING WASHER	彈簧墊圈	M4	2.00	EA
8.00	NV 000599047A	ROTARY DOOR	旋轉門	L431.5xW283.4xH19	1.00	EA
9.00	MS 0103617	SOCKET HEAD CAP SCREW	六角穴圓頭螺絲	M6xP1.0xL16	2.00	EA
10.00	MW 0183610	SPRING WASHER	彈簧墊圈	M6	2.00	EA
11.00	MW 0103610	FLAT WASHER	平墊圈	M6(d6*D19*H2)	2.00	EA
12.00	BL 00103590101	DOOR LATCH	壓扣把手(全銀色系列)	[YI-LOONG]A-240-3-B	1.00	EA
13.00	NV 000399039A	REAR COVER, OPERATOR CABINET	操作箱後蓋	L468xW388xH2.3(SIEMENS)	1.00	EA
14.00	NV 000599082A	SHIELD PLATE	防護板	L296xW110.4xH2.3	1.00	EA
15.00	NV 00078760032	RUBBER	防撞消音橡膠	18mmx19mm	2.00	EA

REV	DESCRIPTION	DATE	EDN.
A	新仕様	2006/8/28	



MODEL: VMC600/800/1000/1250/1500	
PART NAME	PART NUMBER
OPERATOR CABINET.(FANUC-18iMB/21iMB)	NV 001045352A
操作箱(FANUC-18iMB/21iMB)	PAGE 1 OF 1
DATE 2006/8/28	REV. A
ENDERK S N I L	SCALE 1:22

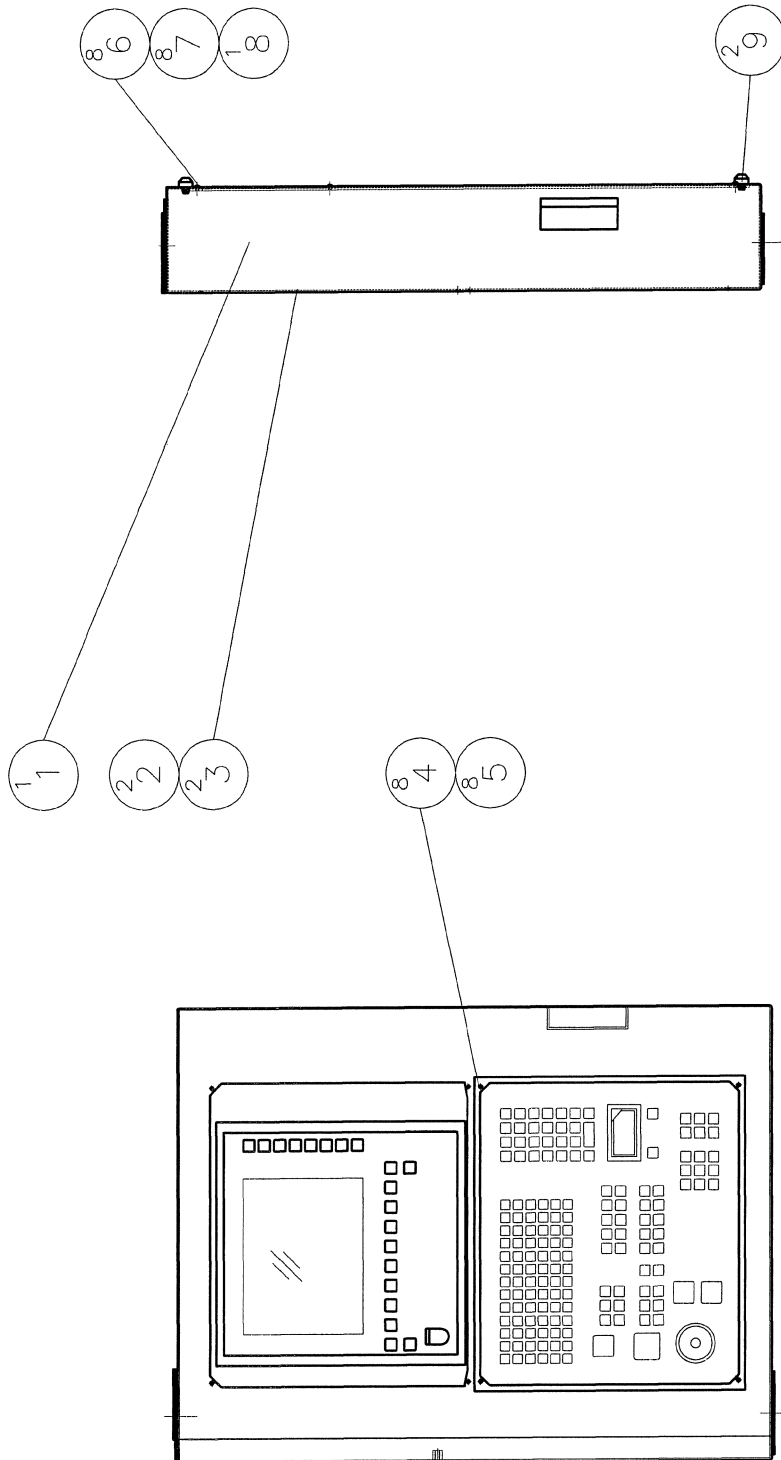
PRODUCT BOM MASTER AND SUB-ITEMS LIST

Master Item Part NO.: NV 001045352A

 Description: OPERATOR CABINET.(FANUC-18iMB/
 操作箱(FANUC-18iMB/21iMB)

Item	Part NO.	Description	中文名稱	Specification	Qty	Unit
1.00	NV 000499079A	OPERATING PANEL CASE	操作箱(FANUC)	L769xW580xH160 (18i-MB)	1.00	EA
2.00	MS 0303313	BUTTON HD. SOCKET	六角穴半圓頭螺絲	M3xP0.5xL6	24.00	EA
3.00	MS 0103414	SOCKET HEAD CAP SCREW	六角穴圓頭螺絲	M4xP0.7xL8	2.00	EA
4.00	MW 0183410	SPRING WASHER	彈簧墊圈	M4	2.00	EA
5.00	NV 000599047A	ROTARY DOOR	旋轉門	L431.5xW283.4xH19	1.00	EA
6.00	BL 00103590101	DOOR LATCH	壓扣把手(全銀色系列)	[YI-LOONG]A-240-3-B	1.00	EA
7.00	MS 0103617	SOCKET HEAD CAP SCREW	六角穴圓頭螺絲	M6xP1.0xL16	2.00	EA
8.00	MW 0183610	SPRING WASHER	彈簧墊圈	M6	2.00	EA
9.00	MW 0103610	FLAT WASHER	平墊圈	M6(d6*D19*H2)	2.00	EA
10.00	MW 0183410	SPRING WASHER	彈簧墊圈	M4	8.00	EA
11.00	MS 0303413	BUTTON HD. SOCKET	六角穴半圓頭螺絲	M4xP0.7xL6	8.00	EA
12.00	NV 000399039A	REAR COVER, OPERATOR CABINET	操作箱後蓋	L468xW388xH2.3(SIEMENS)	1.00	EA
13.00	NV 000599082A	SHIELD PLATE	防護板	L296xW110.4xH2.3	1.00	EA
14.00	NV 00078760032	RUBBER	防撞消音橡膠	18mmx19mm	2.00	EA

REV.	DESCRIPTION	DATE	EDN.
A	製作修繕力及	2008/8/30	



MODEL: VMC600/800/1000

PART NUMBER

NV 001045354A

PART NAME
OPERATOR CABINET.(HEIDENHAIN)
操作箱(HEIDENHAIN)

PAGE 1 OF 1

REV. A

SCALE 1:10

DATE 2008/8/30

ALSTIN
PRINT
FILE

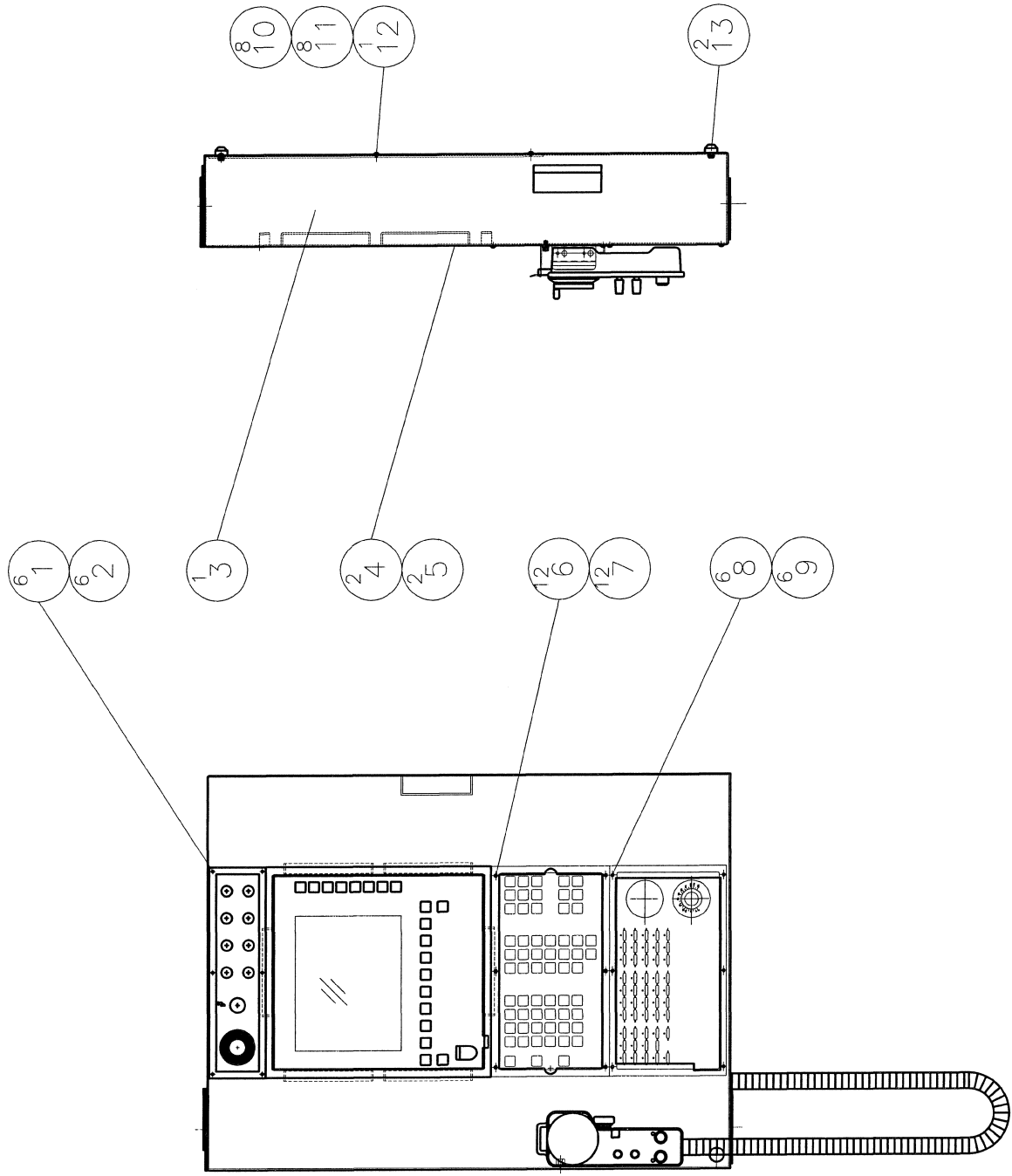
PRODUCT BOM MASTER AND SUB-ITEMS LIST

Master Item Part NO.: NV 001045354A

Description: OPERATOR CABINET.(HEIDENHAIN)
操作箱(HEIDENHAIN)

Item	Part NO.	Description	中文名稱	Specification	Qty	Unit
1.00	NV 000499068A	OPERATING PANEL CASE	操作箱	W769xL580xH135	1.00	EA
2.00	MS 0103414	SOCKET HEAD CAP SCREW	六角穴圓頭螺絲	M4xP0.7xL8	2.00	EA
3.00	MW 0183410	SPRING WASHER	彈簧墊圈	M4	2.00	EA
4.00	MS 0103514	SOCKET HEAD CAP SCREW	六角穴圓頭螺絲	M5xP0.8xL8	8.00	EA
5.00	MW 0183510	SPRING WASHER	彈簧墊圈	M5	8.00	EA
6.00	MW 0183410	SPRING WASHER	彈簧墊圈	M4	8.00	EA
7.00	MS 0303413	BUTTON HD. SOCKET	六角穴半圓頭螺絲	M4xP0.7xL6	8.00	EA
8.00	NV 000499085A	REAR COVER, OPERATOR CABINET	操作箱後蓋	L710xW468xH2.3	1.00	EA
9.00	NV 00078760032	RUBBER	防撞消音橡膠	18mmx19mm	2.00	EA

REV	DESCRIPTION	DATE	EDN.
A	新仕様	2016/8/23	



MODEL: VMC600/800/1000	SCALE: 1:10	REV: A
PART NAME: OPERATOR CABINET.(SIEMENS) 操作パネル箱(SIEMENS)	ENDERK: P/HL	
PART NUMBER: NV 001045353A	DATE: 2006/8/30	
PAGE: 1 OF 1		

PRODUCT BOM MASTER AND SUB-ITEMS LIST

Master Item Part NO.: NV 001045353A

Description: DPERATOR CABINET(SIEMENS)
操作箱(SIEMENS)

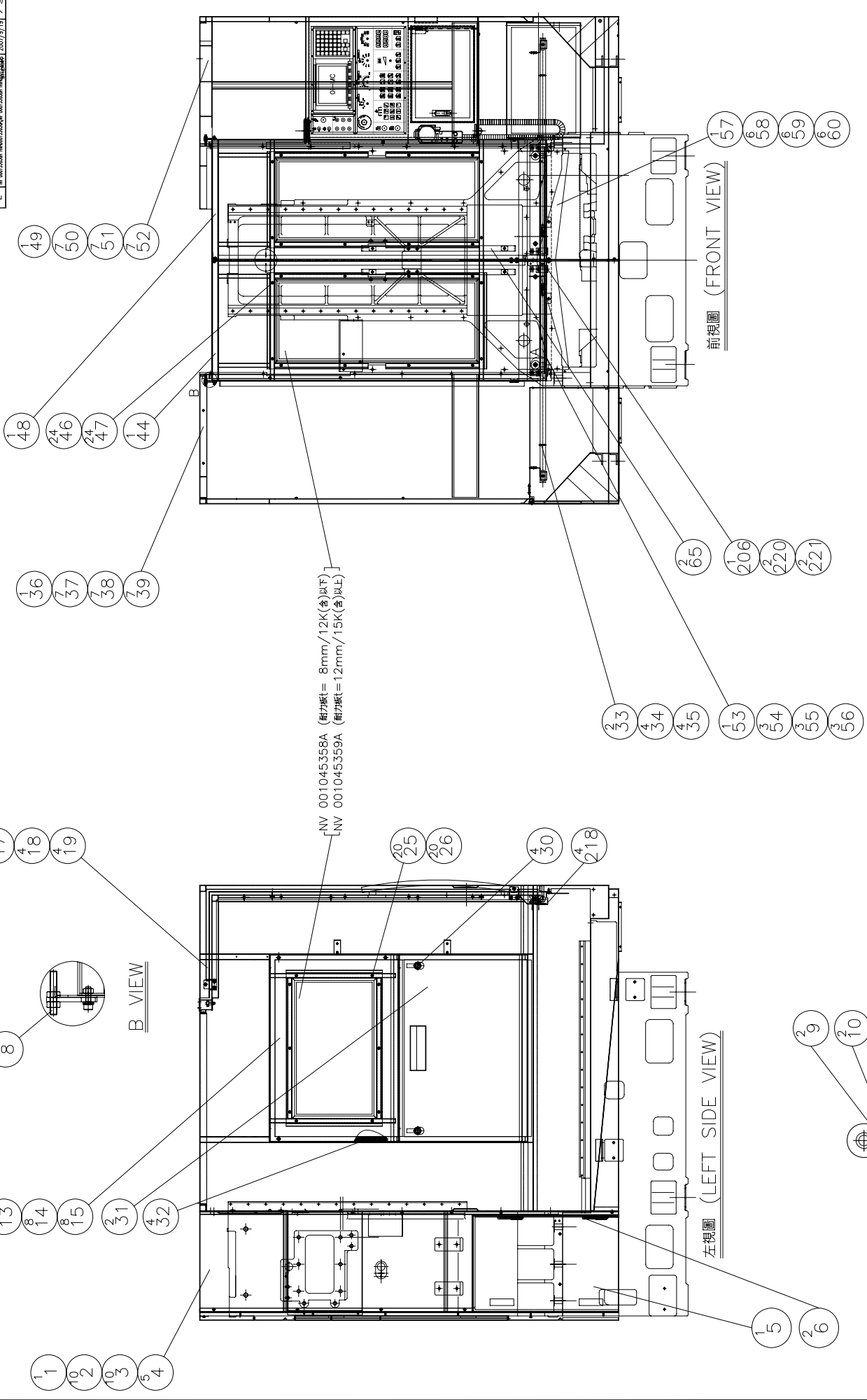
Item	Part NO.	Description	中文名稱	Specification	Qty	Unit
1.00	MS 0103314	SOCKET HD. CAP SCREW	六角穴圓頭螺絲	M3xP0.5xL8	6.00	EA
2.00	MW 0183310	SPRING WASHER	彈簧墊圈	M3	6.00	EA
3.01	NV 000799056A	OPERATING PANEL CASE	操作箱	L769xW580xH135	1.00	EA
4.00	MS 0103414	SOCKET HEAD CAP SCREW	六角穴圓頭螺絲	M4xP0.7xL8	2.00	EA
5.00	MW 0183410	SPRING WASHER	彈簧墊圈	M4	2.00	EA
6.00	MS 0103414	SOCKET HEAD CAP SCREW	六角穴圓頭螺絲	M4xP0.7xL8	12.00	EA
7.00	MW 0183410	SPRING WASHER	彈簧墊圈	M4	12.00	EA
8.00	MS 0103314	SOCKET HD. CAP SCREW	六角穴圓頭螺絲	M3xP0.5xL8	6.00	EA
9.00	MW 0183310	SPRING WASHER	彈簧墊圈	M3	6.00	EA
10.00	MW 0183410	SPRING WASHER	彈簧墊圈	M4	8.00	EA
11.00	MS 0303413	BUTTON HD. SOCKET	六角穴半圓頭螺絲	M4xP0.7xL6	8.00	EA
12.00	NV 000499085A	REAR COVER, OPERATOR CABINET	操作箱後蓋	L710xW468xH2.3	1.00	EA
13.00	NV 00078760032	RUBBER	防撞消音橡膠	18mmx19mm	2.00	EA

Chapter 8

外型板金

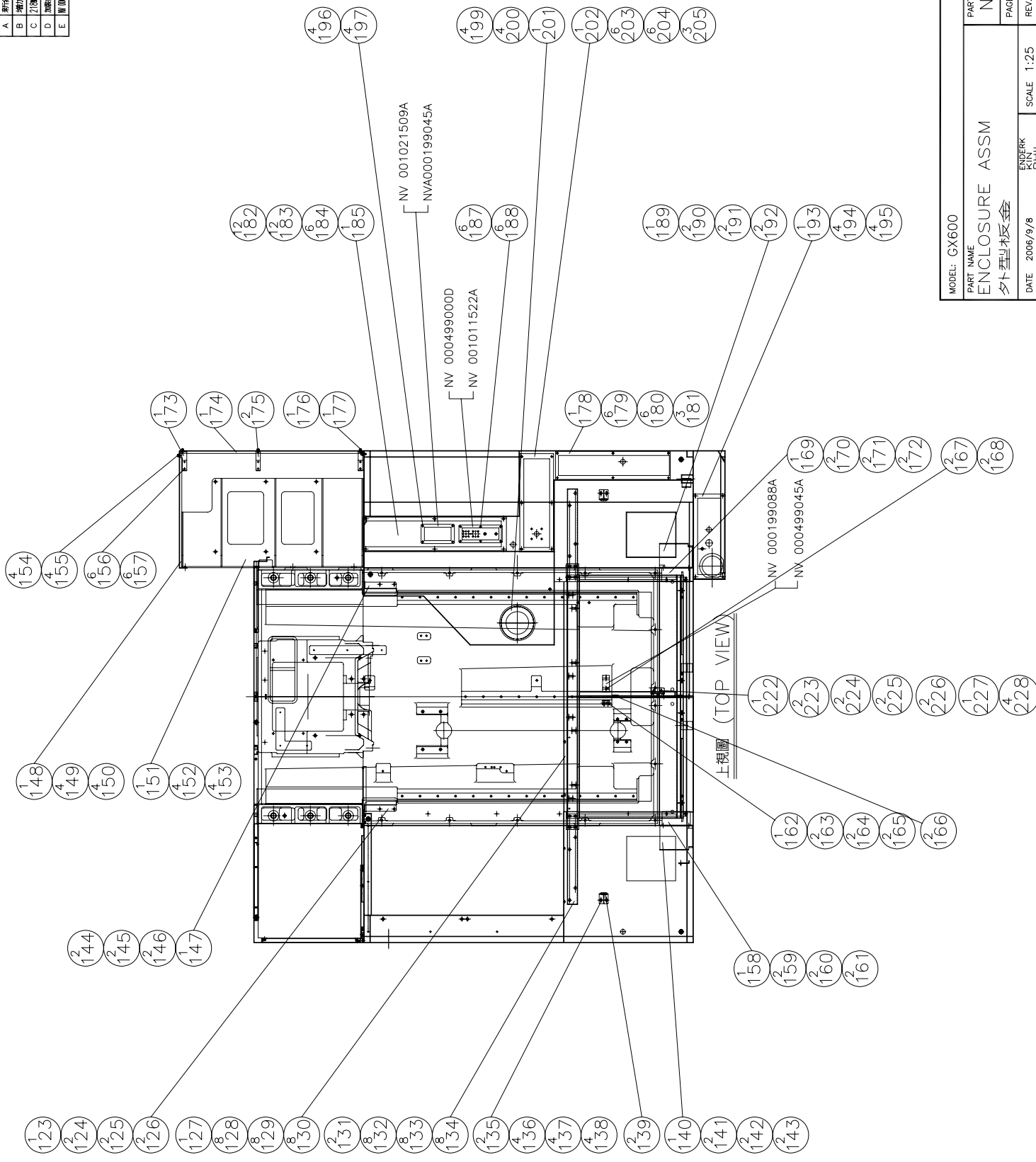
Enclosure Assm.

REV	DESCRIPTION	DATE	ECN
A	新形番	2006/8/21	
B	追加Z1ボルト	2007/5/14	561
C	Z1ボルト 0005807CA-NV0008902A	2007/6/22	613
D	追加ボルト等 標準品 規格 番号 Z2-Z22	2007/9/5	790
E	追加ボルト等 標準品 規格 番号 NV0008902A-NV0008902A	2007/9/19	793



MODEL: GX600	SCALE: 1:25	REV. E
PART NAME ENCLOSURE ASSM 夕十 亜山 株式会社	ENDRKK PHIL	
PART NUMBER NV 001045340A	PAGE 1 OF 3	

REV	DESCRIPTION	DATE	ECN
A	新訂書	2006/9/8	
B	増加Z18號	2007/5/14	561
C	Z18用 NV 000499045A-NVA000199045A	2007/6/21	613
D	追加部品詳細、部品注、部品22-223號	2007/9/5	790
E	NV 000499045A-NVA000199045A	2007/9/19	793



MODEL: GX600	SCALE: 1:25
PART NAME ENCLOSURE ASSM	ENDERK PHIL
PART NUMBER NV 001045340A	REV: E
PAGE 3 OF 3	
DATE: 2006/9/8	

PRODUCT BOM MASTER AND SUB-ITEMS LIST

Master Item Part NO.: NV 001045340A

Description: ENCLOSURE ASSM.
外型板金

Item	Part NO.	Description	中文名稱	Specification	Qty	Unit
1.00	NVA000599029A	COVER, COLUMN SIDE	立柱側蓋(左)	L2005xW456.7xH47	1.00	EA
2.00	MS 0103617	SOCKET HEAD CAP SCREW	六角穴圓頭螺絲	M6xP1.0xL16	10.00	EA
3.00	MW 0183610	SPRING WASHER	彈簧墊圈	M6	10.00	EA
4.00	MW 0103610	FLAT WASHER	平墊圈	M6(d6*D19*H2)	5.00	EA
5.00	NVA000599017A	ROTARY DOOR, SIDE DOOR	側門旋轉門	L763xW435.5xH19	1.00	EA
6.00	NV 000829700J	PIN, DOOR HINGE (POWER CASE)	門栓(強電箱)	L115xD12.5xD7	2.00	EA
7.00	MN 0113810	HEXAGON NUT	六角螺帽	M8xP1.25	4.00	EA
8.00	MS 0573824	SOCKET SET SCREW	固定螺絲	M8xP1.25xL50	4.00	EA
9.00	NV 00032530406	SPRING PIN	彈簧銷	Φ4x8L	2.00	EA
10.00	MS 0303513	BUTTON HD. SOCKET	六角穴半圓頭螺絲	M5xP0.8xL6	2.00	EA
11.00	NV 000981307A	RING, DOOR STOP	定位環	D29xD3xL20	2.00	EA
12.00	MS 0333314	PAN HEAD PHILIPS SCREW	十字圓頭螺絲	M3xP0.5xL8	2.00	EA
13.00	NV 000022225A	SIDE DOOR, UPPER	側門(上)	L850xW602xH24.3	2.00	EA
14.00	MS 0103617	SOCKET HEAD CAP SCREW	六角穴圓頭螺絲	M6xP1.0xL16	8.00	EA
15.00	MW 0183610	SPRING WASHER	彈簧墊圈	M6	8.00	EA
16.00	NV 000022220A	PLATE, LEFT SPLASH GUARD	左擋水板	L1509.7xW458xH57.5	1.00	EA
17.00	MS 0103618	SOCKET HEAD CAP SCREW	六角穴圓頭螺絲	M6xP1.0xL20	4.00	EA
18.00	MW 0183610	SPRING WASHER	彈簧墊圈	M6	4.00	EA
19.00	MW 0103610	FLAT WASHER	平墊圈	M6(d6*D19*H2)	4.00	EA
25.00	MS 0103617	SOCKET HEAD CAP SCREW	六角穴圓頭螺絲	M6xP1.0xL16	20.00	EA

PRODUCT BOM MASTER AND SUB-ITEMS LIST

Item	Part NO.	Description	中文名稱	Specification	Qty	Unit
26.00	MW 0183610	SPRING WASHER	彈簧墊圈	M6	20.00	EA
30.00	NV 00103590106	COMPRESSION EXTENSIBLE LATCH	迫緊式伸縮門鎖	[TAI-SAN]允隙 MS816-1	4.00	ST
31.00	NV 000022226A	SIDE DOOR, LOWER	側門(下)	L850xW602xH24.3	2.00	EA
32.00	NV 00106420101	RUBBER SEAL, SIDE DOOR	發泡橡膠	W20x2T	4.00	MT
33.01	NV 000022113A	ROD, FRONT DOOR GUIDE	前門滑道	D25.4xL980	2.00	EA
34.00	MS 0103514	SOCKET HEAD CAP SCREW	六角穴圓頭螺絲	M5xP0.8xL8	4.00	EA
35.00	MW 0183510	SPRING WASHER	彈簧墊圈	M5	4.00	EA
36.02	NV 000022217A	GUARD, LEFT END	左外型板金	L1905xW1483xH1107.5	1.00	EA
37.00	MS 0103617	SOCKET HEAD CAP SCREW	六角穴圓頭螺絲	M6xP1.0xL16	7.00	EA
38.00	MW 0183610	SPRING WASHER	彈簧墊圈	M6	7.00	EA
39.00	MW 0103610	FLAT WASHER	平墊圈	M6(d6*D19*H2)	7.00	EA
44.01	NV 000378021A	DOOR, GUARD FRONT LEFT	左活動門	L1520xW570xH524	1.00	EA
46.00	MS 0103617	SOCKET HEAD CAP SCREW	六角穴圓頭螺絲	M6xP1.0xL16	24.00	EA
47.00	MW 0183610	SPRING WASHER	彈簧墊圈	M6	24.00	EA
48.00	NV 000378022A	DOOR, GUARD FRONT RIGHT	右活動門	L1520xW545xH524	1.00	EA
49.02	NV 000022216A	GUARD, RIGHT END	右外型板金	L1905xW1626xH1107.5	1.00	EA
50.00	MS 0103617	SOCKET HEAD CAP SCREW	六角穴圓頭螺絲	M6xP1.0xL16	7.00	EA
51.00	MW 0183610	SPRING WASHER	彈簧墊圈	M6	7.00	EA
52.00	MW 0103610	FLAT WASHER	平墊圈	M6(d6*D19*H2)	7.00	EA
53.00	NV 000022214A	FRONT PLATE, ENCLOSURE	前護板	L1033xW35.4xH20	1.00	EA
54.00	MS 0103416	SOCKET HEAD CAP SCREW	六角穴圓頭螺絲	M4xP0.7xL12	3.00	EA
55.00	MW 0183410	SPRING WASHER	彈簧墊圈	M4	3.00	EA
56.00	MW 0103410	FLAT WASHER	平墊圈	M4x10Dx1T	3.00	EA

PRODUCT BOM MASTER AND SUB-ITEMS LIST

Item	Part NO.	Description	中文名稱	Specification	Qty	Unit
57.00	NV 000499089A	SKIRT, Y-WAYCOVER	擋屑板	L1095xW103xH25	1.00	EA
58.00	MS 0103518	SOCKET HEAD CAP SCREW	六角穴圓頭螺絲	M5xP0.8xL20	6.00	EA
59.00	MW 0183510	SPRING WASHER	彈簧墊圈	M5	6.00	EA
60.00	MW 0103510	FLAT WASHER	平墊圈	M5	6.00	EA
65.00	NV 00103590107	SST HANDLE, ARC TYPE	不鏽鋼弧形把手(P=600)	不鏽鋼弧形把手(P=600)	2.00	EA
66.00	MS 0103818	SOCKET HEAD CAP SCREW	六角穴圓頭螺絲	M8xP1.25xL20	7.00	EA
67.00	MW 0183810	SPRING WASHER	彈簧墊圈	M8	7.00	EA
68.00	MW 0103810	FLAT WASHER	平墊圈	M8 (d8*D22.2)	7.00	EA
69.00	NV 000022219A	PLATE, RIGHT SPLASH GUARD	右擋水板	L1509.7xW458xH57.5	1.00	EA
70.00	NV 00082310201	RING, C-RETAINING	C型外扣	S-12	8.00	EA
71.00	NV 00002660104	BALL BEARING	單列深槽滾珠軸承	6001ZZ	8.00	EA
72.00	NV 000403801A	SHAFT, DOOR ROLLER	輪軸	D14.3xL23.5	8.00	EA
73.00	MS 0103617	SOCKET HEAD CAP SCREW	六角穴圓頭螺絲	M6xP1.0xL16	8.00	EA
74.00	MW 0183610	SPRING WASHER	彈簧墊圈	M6	8.00	EA
75.00	MW 0103610	FLAT WASHER	平墊圈	M6(d6*D19*H2)	8.00	EA
80.00	NV 000942400A	ROLLER, DOOR	滑輪	D54xL29	4.00	EA
81.00	NV 00082310101	RING, C-RETAINING	C型內扣	R-28	4.00	EA
82.00	NV 00002660104	BALL BEARING	單列深槽滾珠軸承	6001ZZ	4.00	EA
83.00	NV 000378000A	SEAT, DOOR ROLLER	輪座板	L500xW50xH28.3	2.00	EA
84.00	MS 0103517	SOCKET HEAD CAP SCREW	六角穴圓頭螺絲	M5xP0.8xL16	8.00	EA
85.00	MW 0183510	SPRING WASHER	彈簧墊圈	M5	8.00	EA
86.00	MW 0103510	FLAT WASHER	平墊圈	M5	8.00	EA
87.00	MS 0103519	SOCKET HEAD CAP SCREW	六角穴圓頭螺絲	M5xP0.8xL25	4.00	EA

PRODUCT BOM MASTER AND SUB-ITEMS LIST

Item	Part NO.	Description	中文名稱	Specification	Qty	Unit
92.00	NV 000599021A	ROTARY DOOR	旋轉門	L1066xW290xH19	1.00	EA
93.00	BL 00103590101	DOOR LATCH	壓扣把手(全銀色系列)	[YI-LOONG]A-240-3-B	2.00	EA
101.00	NV 001044918A	WINDOW, DOOR	壓克力板	L238xW198xH2	1.00	EA
102.00	MN 0113510	HEXAGON NUT	六角螺帽	M5xP0.8	4.00	EA
103.00	MW 0183510	SPRING WASHER	彈簧墊圈	M5	4.00	EA
104.00	MW 0103510	FLAT WASHER	平墊圈	M5	4.00	EA
108.00	NV 000599011A	ROTARY DOOR	旋轉門	L966xW590x19	1.00	EA
109.00	BL 00103590101	DOOR LATCH	壓扣把手(全銀色系列)	[YI-LOONG]A-240-3-B	2.00	EA
120.01	NV 000599014A	PLATE	固定板	L820xW300xH2.3	1.00	EA
121.00	MS 0103617	SOCKET HEAD CAP SCREW	六角穴圓頭螺絲	M6xP1.0xL16	6.00	EA
122.00	MW 0183610	SPRING WASHER	彈簧墊圈	M6	6.00	EA
123.00	NV 000199085A	PLATE, LEFT SPLASH GUARD	左檔水板	L143xW30xH45	1.00	EA
124.00	MS 0103516	SOCKET HEAD CAP SCREW	六角穴圓頭螺絲	M5xP0.8xL12	2.00	EA
125.00	MW 0183510	SPRING WASHER	彈簧墊圈	M5	2.00	EA
126.00	MW 0103510	FLAT WASHER	平墊圈	M5	2.00	EA
127.00	NV 000022221A	DOOR GUIDE, UPPER	上滑道	L1195xW60.6xH53.6	1.00	EA
128.00	MS 0103516	SOCKET HEAD CAP SCREW	六角穴圓頭螺絲	M5xP0.8xL12	8.00	EA
129.00	MW 0183510	SPRING WASHER	彈簧墊圈	M5	8.00	EA
130.00	MW 0103510	FLAT WASHER	平墊圈	M5	8.00	EA
131.00	NV 000022222A	DOOR GUIDE, UPPER	上滑道	L418xW46.6xH49	2.00	EA
132.00	MS 0103515	SOCKET HEAD CAP SCREW	六角穴圓頭螺絲	M5xP0.8xL10	8.00	EA
133.00	MW 0183510	SPRING WASHER	彈簧墊圈	M5	8.00	EA
134.00	MW 0103510	FLAT WASHER	平墊圈	M5	8.00	EA

PRODUCT BOM MASTER AND SUB-ITEMS LIST

Item	Part NO.	Description	中文名稱	Specification	Qty	Unit
135.00	NV 000599084A	STOPER, DOOR	止動塊	L71xW40xH45	2.00	EA
136.00	MS 0103516	SOCKET HEAD CAP SCREW	六角穴圓頭螺絲	M5xP0.8xL12	4.00	EA
137.00	MW 0183510	SPRING WASHER	彈簧墊圈	M5	4.00	EA
138.00	MW 0103510	FLAT WASHER	平墊圈	M5	4.00	EA
139.00	NV 001033102A	PLUG, SPLASH GUARD	孔塞	D30.5xL9.5	2.00	EA
140.01	NVA000799036A	PLATE, SPLASH GUARD, LEFT	左擋水板	L147xW317.4x110.1	1.00	EA
141.00	MS 0103515	SOCKET HEAD CAP SCREW	六角穴圓頭螺絲	M5xP0.8xL10	2.00	EA
142.00	MW 0183510	SPRING WASHER	彈簧墊圈	M5	2.00	EA
143.00	MW 0103510	FLAT WASHER	平墊圈	M5	2.00	EA
144.00	MS 0103515	SOCKET HEAD CAP SCREW	六角穴圓頭螺絲	M5xP0.8xL10	2.00	EA
145.00	MW 0183510	SPRING WASHER	彈簧墊圈	M5	2.00	EA
146.00	MW 0103510	FLAT WASHER	平墊圈	M5	2.00	EA
147.00	NV 000199084A	PLATE, RIGHT SPLASH GUARD	右擋水板	L143xW30xH45	1.00	EA
148.00	NV 000799027A	COVER	護蓋	L516.6xW235xH35	1.00	EA
149.00	MS 0103617	SOCKET HEAD CAP SCREW	六角穴圓頭螺絲	M6xP1.0xL16	4.00	EA
150.00	MW 0183610	SPRING WASHER	彈簧墊圈	M6	4.00	EA
151.01	NV 000499037A	SUPPORT, POWER CASE	強電箱座	L808.2xW402xL350	1.00	EA
152.00	MS 0104621	SOCKET HEAD CAP SCREW	六角穴圓頭螺絲	M16xP2.0xL35	4.00	EA
153.00	MW 0184610	SPRING WASHER	彈簧墊圈	M16	4.00	EA
154.00	MS 0103617	SOCKET HEAD CAP SCREW	六角穴圓頭螺絲	M6xP1.0xL16	4.00	EA
155.00	MW 0183610	SPRING WASHER	彈簧墊圈	M6	4.00	EA
156.00	MS 0103417	SOCKET HEAD CAP SCREW	六角穴圓頭螺絲	M4xP0.7xL16	6.00	EA
157.00	MW 0183410	SPRING WASHER	彈簧墊圈	M4	6.00	EA

PRODUCT BOM MASTER AND SUB-ITEMS LIST

Item	Part NO.	Description	中文名稱	Specification	Qty	Unit
158.00	NV 000799037A	PLATE, SPLASH GUARD, LEFT	左擋水板	L147xW63xH115	1.00	EA
159.00	MS 0103515	SOCKET HEAD CAP SCREW	六角穴圓頭螺絲	M5xP0.8xL10	2.00	EA
160.00	MW 0183510	SPRING WASHER	彈簧墊圈	M5	2.00	EA
161.00	MW 0103510	FLAT WASHER	平墊圈	M5	2.00	EA
162.00	NV 000699010A	SEAT, SWITCH	安全開關座	L75xW32xH20	1.00	EA
163.00	MS 0103415	SOCKET HEAD CAP SCREW	六角穴圓頭螺絲	M4xP0.7xL10	2.00	EA
164.00	MW 0183410	SPRING WASHER	彈簧墊圈	M4	2.00	EA
165.00	MW 0103410	FLAT WASHER	平墊圈	M4x10Dx1T	2.00	EA
166.00	NV 001033102A	PLUG, SPLASH GUARD	孔塞	D30.5xL9.5	2.00	EA
167.00	MS 0103414	SOCKET HEAD CAP SCREW	六角穴圓頭螺絲	M4xP0.7xL8	2.00	EA
168.00	MW 0183410	SPRING WASHER	彈簧墊圈	M4	2.00	EA
169.00	NV 000799039A	PLATE, SPLASH GUARD, RIGHT	右擋水板	L147xW63xH115	1.00	EA
170.00	MS 0103515	SOCKET HEAD CAP SCREW	六角穴圓頭螺絲	M5xP0.8xL10	2.00	EA
171.00	MW 0183510	SPRING WASHER	彈簧墊圈	M5	2.00	EA
172.00	MW 0103510	FLAT WASHER	平墊圈	M5	2.00	EA
173.00	NV 000799028A	SEAT, POWER CASE	護蓋支撐座	L88xW31.7xH25	1.00	EA
174.00	NV 000799026A	COVER	護蓋	L830xW237.3xH12	1.00	EA
175.00	NV 000799058A	SEAT, POWER CASE	護蓋支撐座	L88xW20xH25	2.00	EA
176.00	MS 0103617	SOCKET HEAD CAP SCREW	六角穴圓頭螺絲	M6xP1.0xL16	1.00	EA
177.00	MW 0183610	SPRING WASHER	彈簧墊圈	M6	1.00	EA
178.00	NV 000599055A	COVER PLATE	蓋板	L516xW126xH2.3	1.00	EA
179.00	MS 0103515	SOCKET HEAD CAP SCREW	六角穴圓頭螺絲	M5xP0.8xL10	6.00	EA
180.00	MW 0183510	SPRING WASHER	彈簧墊圈	M5	6.00	EA

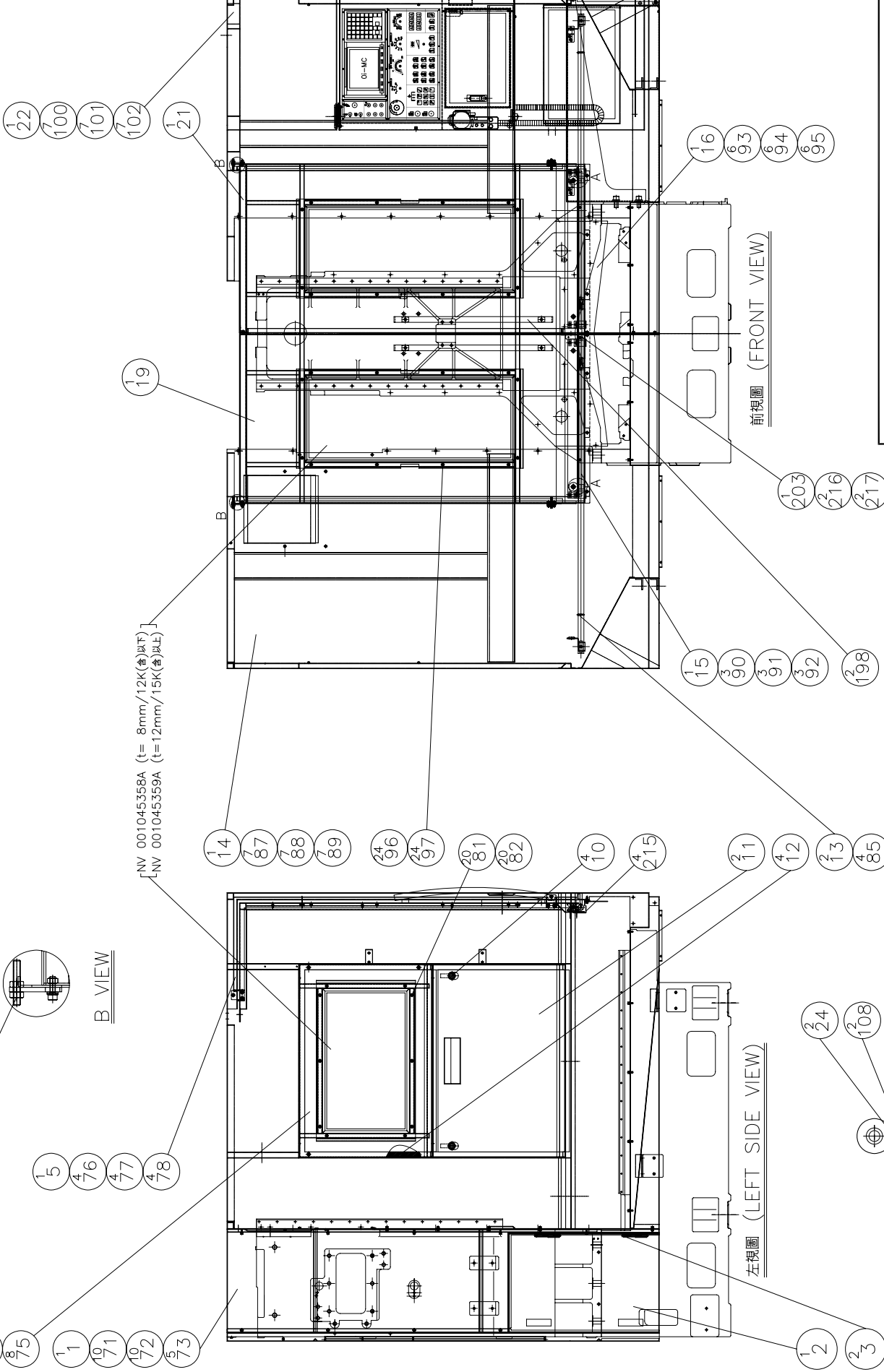
PRODUCT BOM MASTER AND SUB-ITEMS LIST

Item	Part NO.	Description	中文名稱	Specification	Qty	Unit
181.00	MW 0103510	FLAT WASHER	平墊圈	M5	3.00	EA
182.00	MS 0103515	SOCKET HEAD CAP SCREW	六角穴圓頭螺絲	M5xP0.8xL10	12.00	EA
183.00	MW 0183510	SPRING WASHER	彈簧墊圈	M5	12.00	EA
184.00	MW 0103510	FLAT WASHER	平墊圈	M5	6.00	EA
185.00	NV 000599043A	COVER PLATE	蓋板	L646xW152xH2.3	1.00	EA
187.00	MS 0103514	SOCKET HEAD CAP SCREW	六角穴圓頭螺絲	M5xP0.8xL8	6.00	EA
188.00	MW 0183510	SPRING WASHER	彈簧墊圈	M5	6.00	EA
189.01	NVA000799038A	PLATE, SPLASH GUARD, RIGHT	右擋水板	L147xW317.4xH110.1	1.00	EA
190.00	MS 0103515	SOCKET HEAD CAP SCREW	六角穴圓頭螺絲	M5xP0.8xL10	2.00	EA
191.00	MW 0183510	SPRING WASHER	彈簧墊圈	M5	2.00	EA
192.00	MW 0103510	FLAT WASHER	平墊圈	M5	2.00	EA
193.00	NV 001011591A	COVER	蓋板	L380xW139xH2.3	1.00	EA
194.00	MS 0103514	SOCKET HEAD CAP SCREW	六角穴圓頭螺絲	M5xP0.8xL8	4.00	EA
195.00	MW 0183510	SPRING WASHER	彈簧墊圈	M5	4.00	EA
196.00	MS 0103514	SOCKET HEAD CAP SCREW	六角穴圓頭螺絲	M5xP0.8xL8	4.00	EA
197.00	MW 0183510	SPRING WASHER	彈簧墊圈	M5	4.00	EA
199.00	MS 0103514	SOCKET HEAD CAP SCREW	六角穴圓頭螺絲	M5xP0.8xL8	4.00	EA
200.00	MW 0183510	SPRING WASHER	彈簧墊圈	M5	4.00	EA
201.00	NV 000299078A	COVER, SUCTION	抽風機蓋板	DΦ160xH2.3	1.00	EA
202.00	NV 000499095A	COVER PLATE	蓋板	L496xW152xH2.3	1.00	EA
203.00	MS 0103515	SOCKET HEAD CAP SCREW	六角穴圓頭螺絲	M5xP0.8xL10	6.00	EA
204.00	MW 0183510	SPRING WASHER	彈簧墊圈	M5	6.00	EA
205.00	MW 0103510	FLAT WASHER	平墊圈	M5	3.00	EA

PRODUCT BOM MASTER AND SUB-ITEMS LIST

Item	Part NO.	Description	中文名稱	Specification	Qty	Unit
206.00	NV 000799093A	PLATE, FLASH GUARD, FRONT DOOR	擋水板(活動門)	L102xW46xH16.6	1.00	ST
207.00	NV 000048104A	BUSHING, OPERATING PANEL CASE	操作箱襯套	D104xL20	1.00	ST
208.00	MS 0303413	BUTTON HD. SOCKET	六角穴半圓頭螺絲	M4xP0.7xL6	2.00	EA
209.00	MW 0183410	SPRING WASHER	彈簧墊圈	M4	2.00	EA
210.00	MS 0103617	SOCKET HEAD CAP SCREW	六角穴圓頭螺絲	M6xP1.0xL16	1.00	EA
211.00	MW 0183610	SPRING WASHER	彈簧墊圈	M6	1.00	EA
212.00	NV 000048103A	BUSHING, OPERATING PANEL CASE	操作箱襯套	D60.3xL30	1.00	ST
215.00	NV 000799044A	COVER	蓋板	L45.5xW40xH25	1.00	EA
216.00	MS 0103514	SOCKET HEAD CAP SCREW	六角穴圓頭螺絲	M5xP0.8xL8	2.00	EA
217.00	MW 0183510	SPRING WASHER	彈簧墊圈	M5	2.00	EA
218.01	NVA000899025A	PLATE, FRONT DOOR	前門護板	L53xW32xH32	4.00	EA
219.00	NV 000691601A	RING, OPERATING PANEL CASE	止動環	D98Xd76XL2.3	1.00	EA
220.00	MS 0333414	PAN HEAD PHILIPS SCREW	十字圓頭螺絲	M4*0.7*L8	2.00	EA
221.00	MW 0183410	SPRING WASHER	彈簧墊圈	M4	2.00	EA
222.00	GX 000199057D	SEAT, DOOR SWITCH	開關座	L50xW25xH20	1.00	EA
223.00	MS 0103416	SOCKET HEAD CAP SCREW	六角穴圓頭螺絲	M4xP0.7xL12	2.00	EA
224.00	MW 0103410	FLAT WASHER	平墊圈	M4x10Dx1T	2.00	EA
225.00	MW 0183410	SPRING WASHER	彈簧墊圈	M4	2.00	EA
226.00	MN 0113410	HEXAGON NUT	六角螺帽	M4xP0.7	2.00	EA
227.00	GX 00103590101	LATCH, COPPER, TWIN BALL	銅雙珠門擋	允際TK-60	1.00	EA
228.00	MS 0453413	FLAT HD. MACHINE SCREW	十字平頭螺絲	M4xP0.7xL6	4.00	EA

REV.	DESCRIPTION	DATE	ECN.
A	新仕様	2006/9/8	
B	増加工15mm	2007/5/14	561
C	Z15mm/00885026-NVA0009002A	2007/6/22	613
D	仕様変更(増加工15mm)	2007/9/6	790
E	仕様変更(増加工15mm)	2007/9/19	793

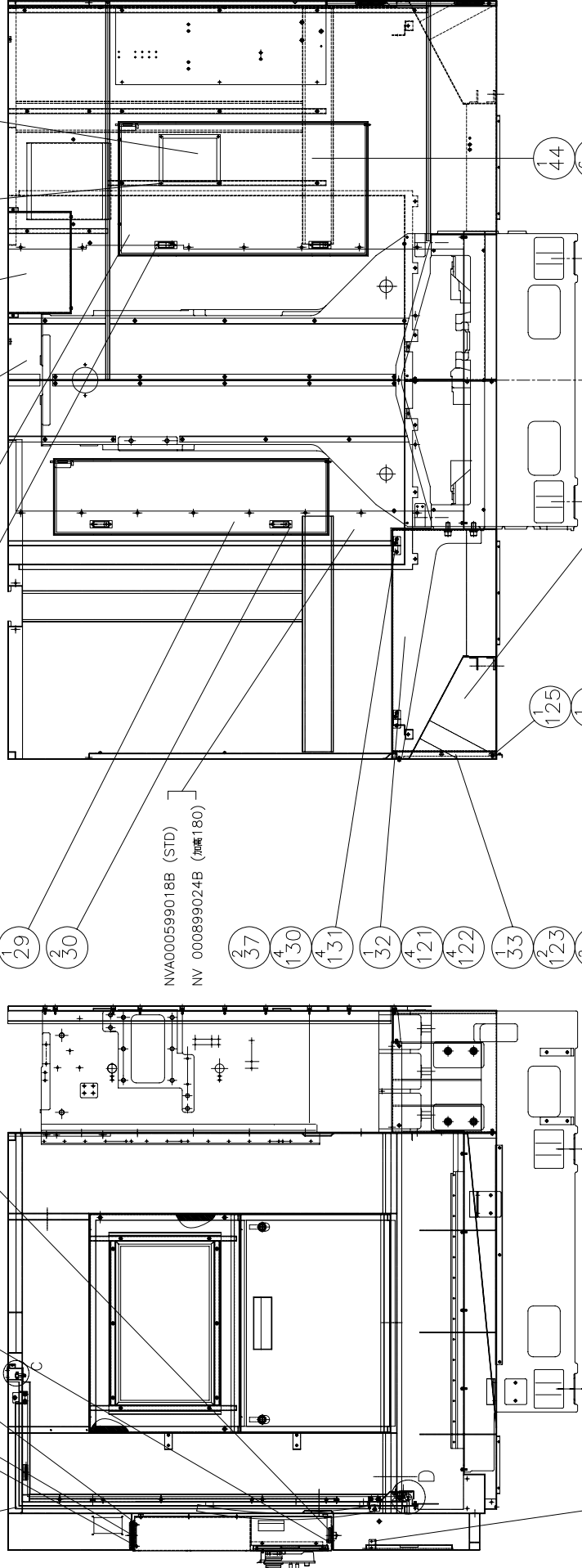
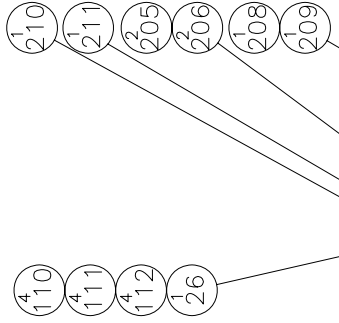
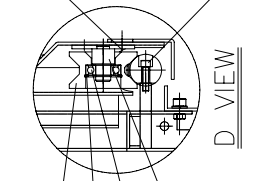
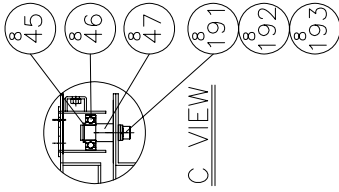


MODEL: GX 800/1000	PART NUMBER
PART NAME	NVA001045340B
ENCLOSURE ASSM.	
外型板金	
DATE 2006/9/8	SCALE 1:25
ENDERK	REV. E
1/1	PAGE 1 OF 3

REV.	DESCRIPTION	DATE	ECN.
A	新仕様	2006/9/8	
B	增加Z15號	2007/5/14	561
C	Z15號用 000899023A-NVA00099023A	2007/6/22	613
D	追加標準仕様 標準 規格 18-224號	2007/9/16	790
E	用 000899023A-NVA00099023A	2007/9/19	793

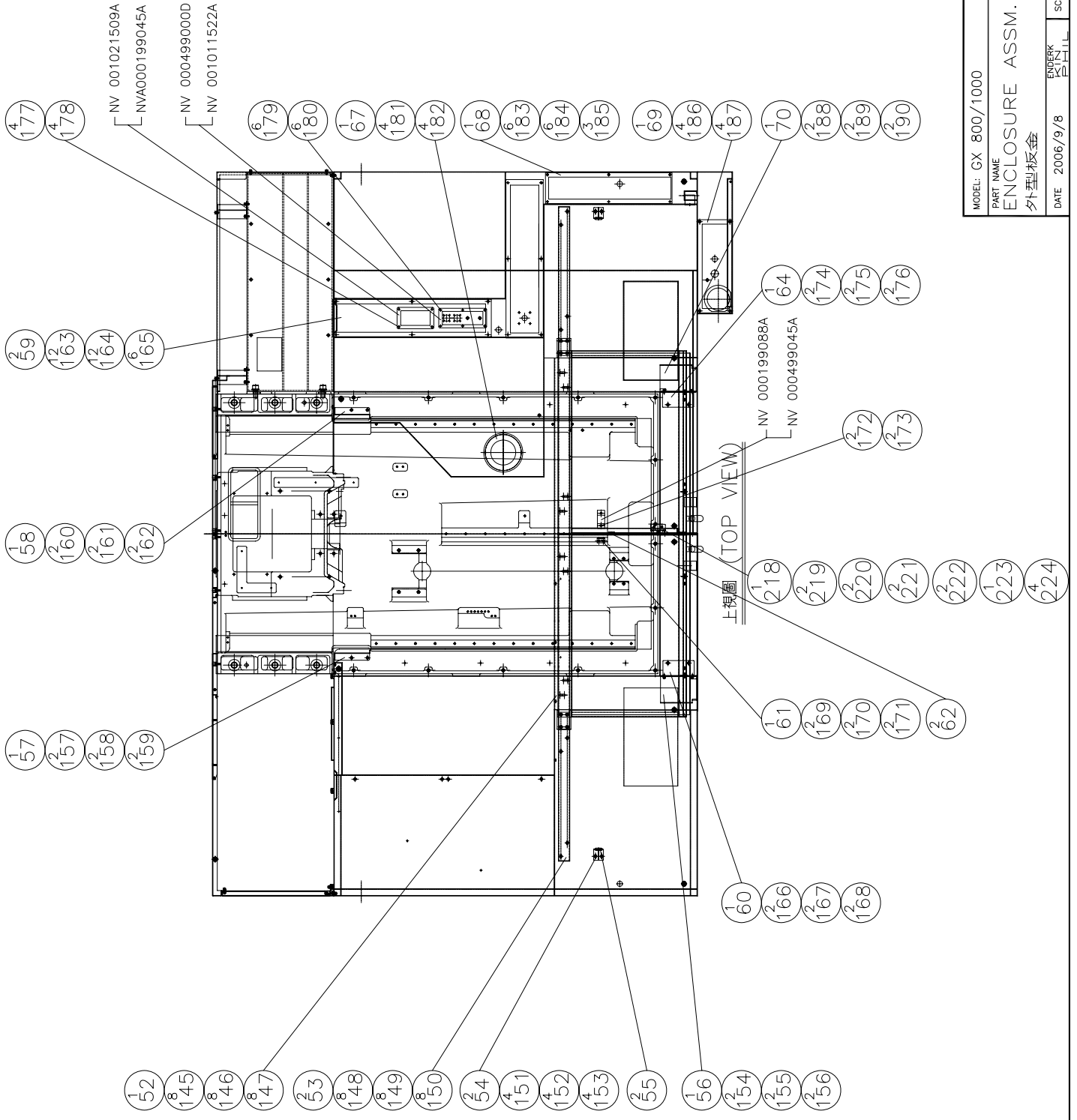
NVB000599010B (STD)
NV 000899023B (加高180)
NV 000899004A
(WITHOUT OIL AIR)

NVA000599018B (STD)
NV 000899024B (加高180)



MODEL: GX 800/1000	PART NUMBER	NVA001045340B
PART NAME	ENCLOSURE ASSM.	
外型板金	PAGE	2 OF 3
DATE 2006/9/8	SCALE 1:25	REV. E

REV	DESCRIPTION	DATE	ECN
A	新行	2006/9/8	
B	增加 Z 15 號	2007/5/14	561
C	Z 15 號 NV 000499045A → NV 000499045A	2007/6/22	613
D	增加零件號碼, 增加 Z 18 - Z 24 號	2007/9/16	790
E	NV 000499045A → NV 000499045A	2007/9/19	793



MODEL: GX 800/1000

PART NAME
ENCLOSURE ASSM.

PART NUMBER
NVA001045340B

PAGE
3 OF 3

REV. E

SCALE 1:25

DATE 2006/9/8

ENDERK

PRODUCT BOM MASTER AND SUB-ITEMS LIST

Master Item Part NO.: NVA001045340B

Description: ENCLOSURE ASSM.
外型板金

Item	Part NO.	Description	中文名稱	Specification	Qty	Unit
1.01	NVA000599029A	COVER, COLUMN SIDE	立柱側蓋(左)	L2005xW456.7xH47	1.00	ST
2.01	NVA000599017A	ROTARY DOOR, SIDE DOOR	側門旋轉門	L763xW435.5xH19	1.00	ST
3.00	NV 000829700J	PIN, DOOR HINGE (POWER CASE)	門栓(強電箱)	L115xD12.5xD7	2.00	EA
4.00	NV 000022225A	SIDE DOOR, UPPER	側門(上)	L850xW602xH24.3	2.00	ST
5.00	NV 000022220A	PLATE, LEFT SPLASH GUARD	左擋水板	L1509.7xW458xH57.5	1.00	ST
10.00	NV 00103590106	COMPRESSION EXTENSIBLE LATCH	迫緊式伸縮門鎖	[TAI-SAN]允際 MS816-1	4.00	ST
11.00	NV 000022226A	SIDE DOOR, LOWER	側門(下)	L850xW602xH24.3	2.00	ST
12.00	NV 00106420101	RUBBER SEAL, SIDE DOOR	發泡橡膠	W20x2T	4.00	MT
13.01	NV 000022113B	ROD, FRONT DOOR GUIDE	前門滑道	D25.4xL1380	2.00	EA
14.02	NV 000022217B	GUARD, LEFT END	左外型板金	L1905xW1483xH1477.5	1.00	ST
15.00	NV 000022214B	FRONT PLATE, ENCLOURE	前護板	L1433xW35.4xH20	1.00	EA
16.00	NV 000499089B	SKIRT, Y-WAYCOVER	擋屑板	L1495xW103xH25	1.00	EA
19.02	NV 000378021B	DOOR, GUARD FRONT LEFT	左活動門	L1520xW770xH524	1.00	ST
21.01	NV 000378022B	DOOR, GUARD FRONT RIGHT	右活動門	L1520xW745xH524	1.00	ST
22.02	NV 000022216B	GUARD, RIGHT END	右外型板金	L1905xW1626xH1477.5	1.00	ST
24.00	NV 00032530406	SPRING PIN	彈簧銷	Φ4x8L	2.00	EA
25.00	NV 000981307A	RING, DOOR STOP	定位環	D29xD3xL20	2.00	EA
26.00	NV 000022219A	PLATE, RIGHT SPLASH GUARD	右擋水板	L1509.7xW458xH57.5	1.00	ST
29.00	NV 000599021A	ROTARY DOOR	旋轉門	L1066xW290xH19	1.00	EA
30.00	BL 00103590101	DOOR LATCH	壓扣把手(全銀色系列)	[YI-LOONG]A-240-3-B	2.00	EA

PRODUCT BOM MASTER AND SUB-ITEMS LIST

Item	Part NO.	Description	中文名稱	Specification	Qty	Unit
32.00	NV 000599014B	SUPPORT, POWER CASE	強電箱座	L894xW352xH350	1.00	EA
33.00	NVA000799027B	COVER	護蓋	L475xW407.3xH30	1.00	EA
34.00	NVA000799026B	COVER	護蓋	L865xW407.3xH12	1.00	EA
35.00	NV 000599011A	ROTARY DOOR	旋轉門	L966xW590x19	1.00	ST
36.00	BL 00103590101	DOOR LATCH	壓扣把手(全銀色系列)	[YI-LOONG]A-240-3-B	2.00	EA
37.00	NV 000799028B	SEAT, POWER CASE	護蓋支撐座	L120.7xW70xH30	2.00	EA
44.02	NV 000599014A	PLATE	固定板	L820xW300xH2.3	1.00	ST
45.00	NV 00082310201	RING, C-RETAINING	C型外扣	S-12	8.00	EA
46.00	NV 00002660104	BALL BEARING	單列深槽滾珠軸承	6001ZZ	8.00	EA
47.00	NV 000403801A	SHAFT, DOOR ROLLER	輪軸	D14.3xL23.5	8.00	EA
48.00	NV 000942400A	ROLLER, DOOR	滑輪	D54xL29	4.00	EA
49.00	NV 00082310101	RING, C-RETAINING	C型內扣	R-28	4.00	EA
50.00	NV 00002660104	BALL BEARING	單列深槽滾珠軸承	6001ZZ	4.00	EA
51.00	NV 000378000B	SEAT, DOOR ROLLER	輪座板	L700xW50xH28.3	2.00	EA
52.01	NV 000022221B	DOOR GUIDE, UPPER	上滑道	L1595xW56.6xH40.6	1.00	ST
53.00	NV 000022222B	DOOR GUIDE, UPPER	上滑道	L618xW46.6xH49	2.00	EA
54.01	NV 000599084A	STOPER, DOOR	止動塊	L71xW40xH45	2.00	ST
55.00	NV 001033102A	PLUG, SPLASH GUARD	孔塞	D30.5xL9.5	2.00	EA
56.01	NVA000799036A	PLATE, SPLASH GUARD, LEFT	左擋水板	L147xW317.4x110.1	1.00	EA
57.00	NV 000199085A	PLATE, LEFT SPLASH GUARD	左檔水板	L143xW30xH45	1.00	EA
58.00	NV 000199084A	PLATE, RIGHT SPLASH GUARD	右檔水板	L143xW30xH45	1.00	EA
59.01	NV 000599043A	COVER PLATE	蓋板	L646xW152xH2.3	2.00	ST
60.00	NV 000799037A	PLATE, SPLASH GUARD, LEFT	左擋水板	L147xW63xH115	1.00	EA

PRODUCT BOM MASTER AND SUB-ITEMS LIST

Item	Part NO.	Description	中文名稱	Specification	Qty	Unit
61.00	NV 000699010A	SEAT, SWITCH	安全開關座	L75xW32xH20	1.00	ST
62.00	NV 001033102A	PLUG, SPLASH GUARD	孔塞	D30.5xL9.5	2.00	EA
64.00	NV 000799039A	PLATE, SPLASH GUARD, RIGHT	右擋水板	L147xW63xH115	1.00	EA
67.00	NV 000299078A	COVER, SUCTION	抽風機蓋板	DΦ160xH2.3	1.00	EA
68.00	NV 000599055A	COVER PLATE	蓋板	L516xW126xH2.3	1.00	ST
69.00	NV 001011591A	COVER	蓋板	L380xW139xH2.3	1.00	ST
70.01	NVA000799038A	PLATE, SPLASH GUARD, RIGHT	右擋水板	L147xW317.4xH110.1	1.00	EA
71.00	MS 0103617	SOCKET HEAD CAP SCREW	六角穴圓頭螺絲	M6xP1.0xL16	10.00	EA
72.00	MW 0183610	SPRING WASHER	彈簧墊圈	M6	10.00	EA
73.00	MW 0103610	FLAT WASHER	平墊圈	M6(d6*D19*H2)	5.00	EA
74.00	MS 0103617	SOCKET HEAD CAP SCREW	六角穴圓頭螺絲	M6xP1.0xL16	8.00	EA
75.00	MW 0183610	SPRING WASHER	彈簧墊圈	M6	8.00	EA
76.00	MS 0103618	SOCKET HEAD CAP SCREW	六角穴圓頭螺絲	M6xP1.0xL20	4.00	EA
77.00	MW 0183610	SPRING WASHER	彈簧墊圈	M6	4.00	EA
78.00	MW 0103610	FLAT WASHER	平墊圈	M6(d6*D19*H2)	4.00	EA
81.00	MS 0103617	SOCKET HEAD CAP SCREW	六角穴圓頭螺絲	M6xP1.0xL16	20.00	EA
82.00	MW 0183610	SPRING WASHER	彈簧墊圈	M6	20.00	EA
85.00	MS 0103514	SOCKET HEAD CAP SCREW	六角穴圓頭螺絲	M5xP0.8xL8	4.00	EA
86.00	MW 0183510	SPRING WASHER	彈簧墊圈	M5	4.00	EA
87.00	MS 0103617	SOCKET HEAD CAP SCREW	六角穴圓頭螺絲	M6xP1.0xL16	7.00	EA
88.00	MW 0183610	SPRING WASHER	彈簧墊圈	M6	7.00	EA
89.00	MW 0103610	FLAT WASHER	平墊圈	M6(d6*D19*H2)	7.00	EA
90.00	MS 0103416	SOCKET HEAD CAP SCREW	六角穴圓頭螺絲	M4xP0.7xL12	3.00	EA

PRODUCT BOM MASTER AND SUB-ITEMS LIST

Item	Part NO.	Description	中文名稱	Specification	Qty	Unit
91.00	MW 0183410	SPRING WASHER	彈簧墊圈	M4	3.00	EA
92.00	MW 0103410	FLAT WASHER	平墊圈	M4x10Dx1T	3.00	EA
93.00	MS 0103518	SOCKET HEAD CAP SCREW	六角穴圓頭螺絲	M5xP0.8xL20	6.00	EA
94.00	MW 0183510	SPRING WASHER	彈簧墊圈	M5	6.00	EA
95.00	MW 0103510	FLAT WASHER	平墊圈	M5	6.00	EA
96.00	MS 0103617	SOCKET HEAD CAP SCREW	六角穴圓頭螺絲	M6xP1.0xL16	24.00	EA
97.00	MW 0183610	SPRING WASHER	彈簧墊圈	M6	24.00	EA
100.00	MS 0103617	SOCKET HEAD CAP SCREW	六角穴圓頭螺絲	M6xP1.0xL16	7.00	EA
101.00	MW 0183610	SPRING WASHER	彈簧墊圈	M6	7.00	EA
102.00	MW 0103610	FLAT WASHER	平墊圈	M6(d6*D19*H2)	7.00	EA
106.00	MN 0113810	HEXAGON NUT	六角螺帽	M8xP1.25	4.00	EA
107.00	MS 0573824	SOCKET SET SCREW	固定螺絲	M8xP1.25xL50	4.00	EA
108.00	MS 0303513	BUTTON HD. SOCKET	六角穴半圓頭螺絲	M5xP0.8xL6	2.00	EA
109.00	MS 0333314	PAN HEAD PHILIPS SCREW	十字圓頭螺絲	M3xP0.5xL8	2.00	EA
110.00	MS 0103618	SOCKET HEAD CAP SCREW	六角穴圓頭螺絲	M6xP1.0xL20	4.00	EA
111.00	MW 0183610	SPRING WASHER	彈簧墊圈	M6	4.00	EA
112.00	MW 0103610	FLAT WASHER	平墊圈	M6(d6*D19*H2)	4.00	EA
121.00	MS 0104621	SOCKET HEAD CAP SCREW	六角穴圓頭螺絲	M16xP2.0xL35	4.00	EA
122.00	MW 0184610	SPRING WASHER	彈簧墊圈	M16	4.00	EA
123.00	MS 0103616	SOCKET HEAD CAP SCREW	六角穴圓頭螺絲	M6xP1.0xL12	2.00	EA
124.00	MW 0183610	SPRING WASHER	彈簧墊圈	M6	2.00	EA
125.00	MS 0103617	SOCKET HEAD CAP SCREW	六角穴圓頭螺絲	M6xP1.0xL16	1.00	EA
126.00	MW 0183610	SPRING WASHER	彈簧墊圈	M6	1.00	EA

PRODUCT BOM MASTER AND SUB-ITEMS LIST

Item	Part NO.	Description	中文名稱	Specification	Qty	Unit
127.00	MW 0103610	FLAT WASHER	平墊圈	M6(d6*D19*H2)	1.00	EA
128.00	MS 0103615	SOCKET HEAD CAP SCREW	六角穴圓頭螺絲	M6xP1.0xL10	2.00	EA
129.00	MW 0183610	SPRING WASHER	彈簧墊圈	M6	2.00	EA
130.00	MS 0103616	SOCKET HEAD CAP SCREW	六角穴圓頭螺絲	M6xP1.0xL12	4.00	EA
131.00	MW 0183610	SPRING WASHER	彈簧墊圈	M6	4.00	EA
143.00	MS 0103617	SOCKET HEAD CAP SCREW	六角穴圓頭螺絲	M6xP1.0xL16	6.00	EA
144.00	MW 0183610	SPRING WASHER	彈簧墊圈	M6	6.00	EA
145.00	MS 0103516	SOCKET HEAD CAP SCREW	六角穴圓頭螺絲	M5xP0.8xL12	8.00	EA
146.00	MW 0183510	SPRING WASHER	彈簧墊圈	M5	8.00	EA
147.00	MW 0103510	FLAT WASHER	平墊圈	M5	8.00	EA
148.00	MS 0103515	SOCKET HEAD CAP SCREW	六角穴圓頭螺絲	M5xP0.8xL10	8.00	EA
149.00	MW 0183510	SPRING WASHER	彈簧墊圈	M5	8.00	EA
150.00	MW 0103510	FLAT WASHER	平墊圈	M5	8.00	EA
151.00	MS 0103516	SOCKET HEAD CAP SCREW	六角穴圓頭螺絲	M5xP0.8xL12	4.00	EA
152.00	MW 0183510	SPRING WASHER	彈簧墊圈	M5	4.00	EA
153.00	MW 0103510	FLAT WASHER	平墊圈	M5	4.00	EA
154.00	MS 0103515	SOCKET HEAD CAP SCREW	六角穴圓頭螺絲	M5xP0.8xL10	2.00	EA
155.00	MW 0183510	SPRING WASHER	彈簧墊圈	M5	2.00	EA
156.00	MW 0103510	FLAT WASHER	平墊圈	M5	2.00	EA
157.00	MS 0103516	SOCKET HEAD CAP SCREW	六角穴圓頭螺絲	M5xP0.8xL12	2.00	EA
158.00	MW 0183510	SPRING WASHER	彈簧墊圈	M5	2.00	EA
159.00	MW 0103510	FLAT WASHER	平墊圈	M5	2.00	EA
160.00	MS 0103515	SOCKET HEAD CAP SCREW	六角穴圓頭螺絲	M5xP0.8xL10	2.00	EA

PRODUCT BOM MASTER AND SUB-ITEMS LIST

Item	Part NO.	Description	中文名稱	Specification	Qty	Unit
161.00	MW 0183510	SPRING WASHER	彈簧墊圈	M5	2.00	EA
162.00	MW 0103510	FLAT WASHER	平墊圈	M5	2.00	EA
163.00	MS 0103515	SOCKET HEAD CAP SCREW	六角穴圓頭螺絲	M5xP0.8xL10	12.00	EA
164.00	MW 0183510	SPRING WASHER	彈簧墊圈	M5	12.00	EA
165.00	MW 0103510	FLAT WASHER	平墊圈	M5	6.00	EA
166.00	MS 0103515	SOCKET HEAD CAP SCREW	六角穴圓頭螺絲	M5xP0.8xL10	2.00	EA
167.00	MW 0183510	SPRING WASHER	彈簧墊圈	M5	2.00	EA
168.00	MW 0103510	FLAT WASHER	平墊圈	M5	2.00	EA
169.00	MS 0103415	SOCKET HEAD CAP SCREW	六角穴圓頭螺絲	M4xP0.7xL10	2.00	EA
170.00	MW 0183410	SPRING WASHER	彈簧墊圈	M4	2.00	EA
171.00	MW 0103410	FLAT WASHER	平墊圈	M4x10Dx1T	2.00	EA
172.00	MS 0103414	SOCKET HEAD CAP SCREW	六角穴圓頭螺絲	M4xP0.7xL8	2.00	EA
173.00	MW 0183410	SPRING WASHER	彈簧墊圈	M4	2.00	EA
174.00	MS 0103515	SOCKET HEAD CAP SCREW	六角穴圓頭螺絲	M5xP0.8xL10	2.00	EA
175.00	MW 0183510	SPRING WASHER	彈簧墊圈	M5	2.00	EA
176.00	MW 0103510	FLAT WASHER	平墊圈	M5	2.00	EA
177.00	MS 0103514	SOCKET HEAD CAP SCREW	六角穴圓頭螺絲	M5xP0.8xL8	4.00	EA
178.00	MW 0183510	SPRING WASHER	彈簧墊圈	M5	4.00	EA
179.00	MS 0103514	SOCKET HEAD CAP SCREW	六角穴圓頭螺絲	M5xP0.8xL8	6.00	EA
180.00	MW 0183510	SPRING WASHER	彈簧墊圈	M5	6.00	EA
181.00	MS 0103514	SOCKET HEAD CAP SCREW	六角穴圓頭螺絲	M5xP0.8xL8	4.00	EA
182.00	MW 0183510	SPRING WASHER	彈簧墊圈	M5	4.00	EA
183.00	MS 0103515	SOCKET HEAD CAP SCREW	六角穴圓頭螺絲	M5xP0.8xL10	6.00	EA

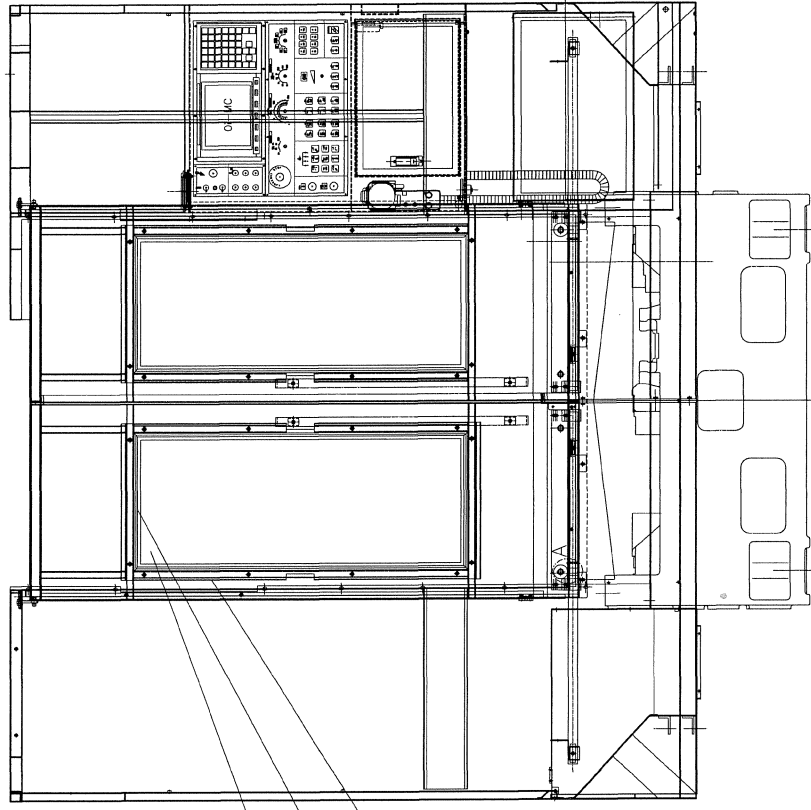
PRODUCT BOM MASTER AND SUB-ITEMS LIST

Item	Part NO.	Description	中文名稱	Specification	Qty	Unit
184.00	MW 0183510	SPRING WASHER	彈簧墊圈	M5	6.00	EA
185.00	MW 0103510	FLAT WASHER	平墊圈	M5	3.00	EA
186.00	MS 0103514	SOCKET HEAD CAP SCREW	六角穴圓頭螺絲	M5xP0.8xL8	4.00	EA
187.00	MW 0183510	SPRING WASHER	彈簧墊圈	M5	4.00	EA
188.00	MS 0103515	SOCKET HEAD CAP SCREW	六角穴圓頭螺絲	M5xP0.8xL10	2.00	EA
189.00	MW 0183510	SPRING WASHER	彈簧墊圈	M5	2.00	EA
190.00	MW 0103510	FLAT WASHER	平墊圈	M5	2.00	EA
191.00	MS 0103617	SOCKET HEAD CAP SCREW	六角穴圓頭螺絲	M6xP1.0xL16	8.00	EA
192.00	MW 0183610	SPRING WASHER	彈簧墊圈	M6	8.00	EA
193.00	MW 0103610	FLAT WASHER	平墊圈	M6(d6*D19*H2)	8.00	EA
194.00	MS 0103517	SOCKET HEAD CAP SCREW	六角穴圓頭螺絲	M5xP0.8xL16	8.00	EA
195.00	MW 0183510	SPRING WASHER	彈簧墊圈	M5	8.00	EA
196.00	MW 0103510	FLAT WASHER	平墊圈	M5	8.00	EA
197.00	MS 0103519	SOCKET HEAD CAP SCREW	六角穴圓頭螺絲	M5xP0.8xL25	4.00	EA
198.00	NV 00103590107	SST HANDLE, ARC TYPE	不鏽鋼弧形把手(P=600)	不鏽鋼弧形把手(P=600)	2.00	ST
199.00	MN 0113510	HEXAGON NUT	六角螺帽	M5xP0.8	4.00	EA
200.00	MW 0183510	SPRING WASHER	彈簧墊圈	M5	4.00	EA
201.00	MW 0103510	FLAT WASHER	平墊圈	M5	4.00	EA
202.00	NV 001044918A	WINDOW, DOOR	壓克力板	L238xW198xH2	1.00	EA
203.00	NV 000799093A	PLATE, FLASH GUARD, FRONT DOOR	擋水板(活動門)	L102xW46xH16.6	1.00	ST
205.00	MS 0303413	BUTTON HD. SOCKET	六角穴半圓頭螺絲	M4xP0.7xL6	2.00	EA
206.00	MW 0183410	SPRING WASHER	彈簧墊圈	M4	2.00	EA
207.00	NV 000048103A	BUSHING, OPERATING PANEL CASE	操作箱襯套	D60.3xL30	1.00	ST

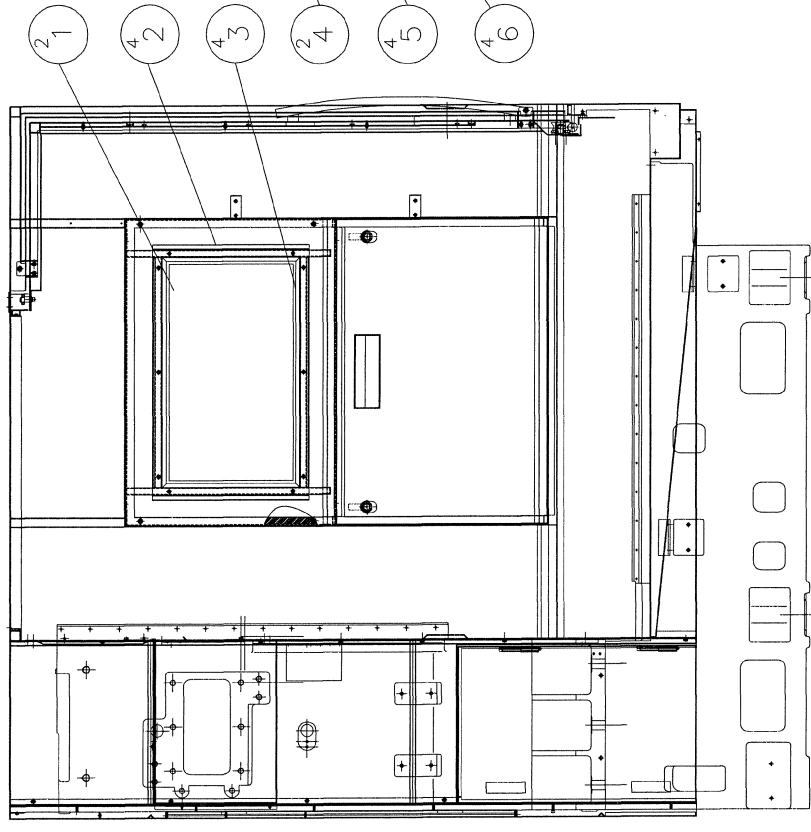
PRODUCT BOM MASTER AND SUB-ITEMS LIST

Item	Part NO.	Description	中文名稱	Specification	Qty	Unit
208.00	MS 0103617	SOCKET HEAD CAP SCREW	六角穴圓頭螺絲	M6xP1.0xL16	1.00	EA
209.00	MW 0183610	SPRING WASHER	彈簧墊圈	M6	1.00	EA
210.00	NV 000691601A	RING, OPERATING PANEL CASE	止動環	D98Xd76XL2.3	1.00	EA
211.00	NV 000048104A	BUSHING, OPERATING PANEL CASE	操作箱襯套	D104xL20	1.00	ST
212.00	NV 000799044A	COVER	蓋板	L45.5xW40xH25	1.00	EA
213.00	MS 0103514	SOCKET HEAD CAP SCREW	六角穴圓頭螺絲	M5xP0.8xL8	2.00	EA
214.00	MW 0183510	SPRING WASHER	彈簧墊圈	M5	2.00	EA
215.01	NVA000899025A	PLATE, FRONT DOOR	前門護板	L53xW32xH32	4.00	EA
216.00	MS 0333414	PAN HEAD PHILIPS SCREW	十字圓頭螺絲	M4*0.7*L8	2.00	EA
217.00	MW 0183410	SPRING WASHER	彈簧墊圈	M4	2.00	EA
218.00	GX 000199057D	SEAT, DOOR SWITCH	開關座	L50xW25xH20	1.00	EA
219.00	MS 0103416	SOCKET HEAD CAP SCREW	六角穴圓頭螺絲	M4xP0.7xL12	2.00	EA
220.00	MW 0103410	FLAT WASHER	平墊圈	M4x10Dx1T	2.00	EA
221.00	MW 0183410	SPRING WASHER	彈簧墊圈	M4	2.00	EA
222.00	MN 0113410	HEXAGON NUT	六角螺帽	M4xP0.7	2.00	EA
223.00	GX 00103590101	LATCH, COPPER, TWIN BALL	銅雙珠門擋	允際TK-60	1.00	EA
224.00	MS 0453413	FLAT HD. MACHINE SCREW	十字平頭螺絲	M4xP0.7xL6	4.00	EA

REV	DESCRIPTION	DATE	EON.
A	新仕様	2007/8/14	507



前視圖 (FRONT VIEW)



左視圖 (LEFT SIDE VIEW)

MODEL: CX600/800/1000
PART NAME ENCLOSURE ASSM-WINDOW T=8mm 外型板金-耐力板T=8mm/1.2K(含)以下
PART NUMBER NV 001045358A
DATE: 2007/8/14
ENDERK P.H.L.L
SCALE: 1:25
REV: A
PAGE: 1 OF 1

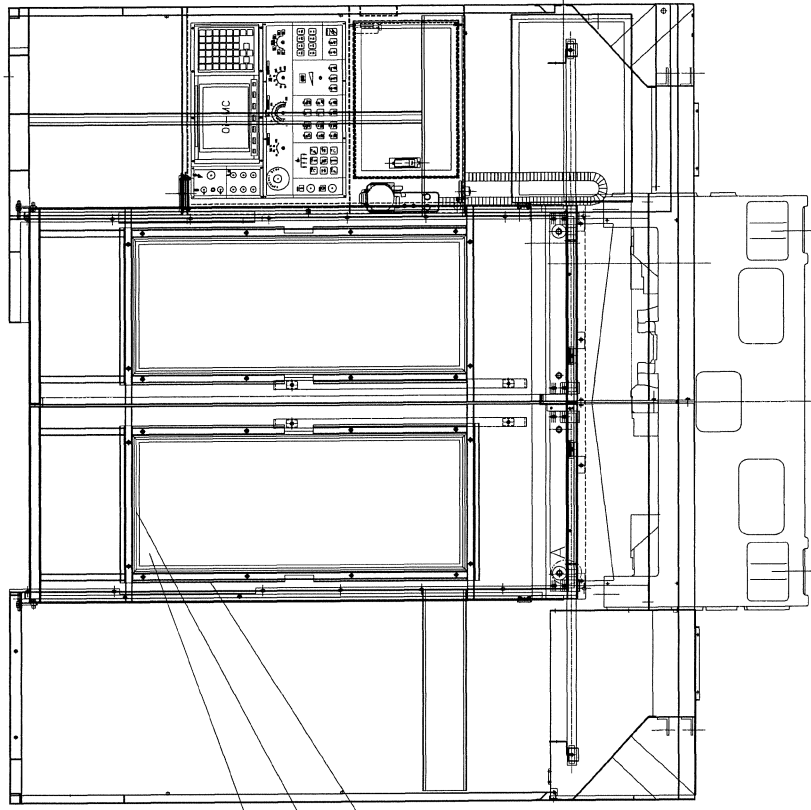
PRODUCT BOM MASTER AND SUB-ITEMS LIST

Master Item Part NO.: NV 001044921A

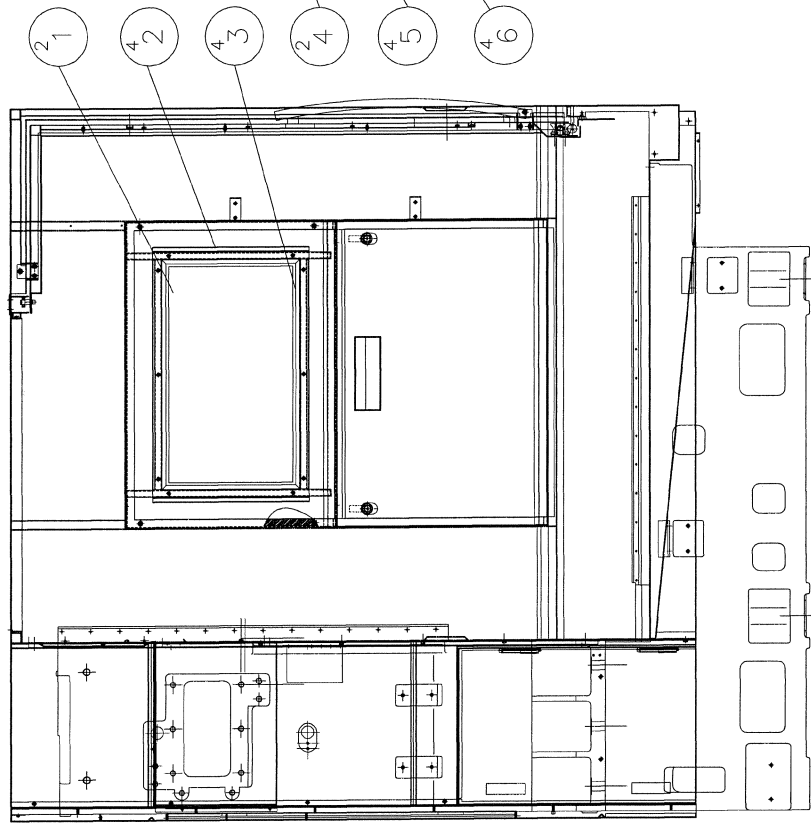
Description: ENCLOSURE ASSM-WINDOW T=8mm
外型板金-耐力板T=8mm/12K(含)以下

Item Part NO.	Description	中文名稱	Specification	Qty	Unit
1.00 NV 001044921A	WINDOW,DOOR	耐力板 (厚度8)	L628xW373xH8	2.00	EA
2.00 NV 000799098A	DEPRESSOR, WINDOW	窗戶壓板(耐力板厚度8用)	L437xWxH	2.00	EA
3.00 NV 000799097A	DEPRESSOR, WINDOW	窗戶壓板(耐力板厚度8用)	L638xWxH	2.00	EA
4.00 NV 001044923A	WINDOW,DOOR	耐力板 (厚度8)	L918xW373xH8	2.00	EA
5.00 NV 000799098A	DEPRESSOR, WINDOW	窗戶壓板(耐力板厚度8用)	L437xWxH	2.00	EA
6.00 NV 000799099A	DEPRESSOR, WINDOW	窗戶壓板(耐力板厚度8用)	L928xWxH	2.00	EA

REV.	DESCRIPTION	DATE	ECN.
A	新仕様	2007/8/14	507



前視圖 (FRONT VIEW)



左視圖 (LEFT SIDE VIEW)

MODEL: GX600/800/1000	
PART NAME	PART NUMBER
ENCLOSURE ASSM-WINDOW T=12mm	NV 001045359A
外型板金-耐力板T=12mm/15K(含)以上	PAGE 1 OF 1
DATE: 2007/8/14	REV. A
DESIGNER: KIN P-HIL	SCALE: 1:25

PRODUCT BOM MASTER AND SUB-ITEMS LIST

Master Item Part NO.: NV 001045359A

Description: ENCLOSURE ASSM-WINDOW T=12mm
外型板金-耐力板T=12mm/15K(含)以上

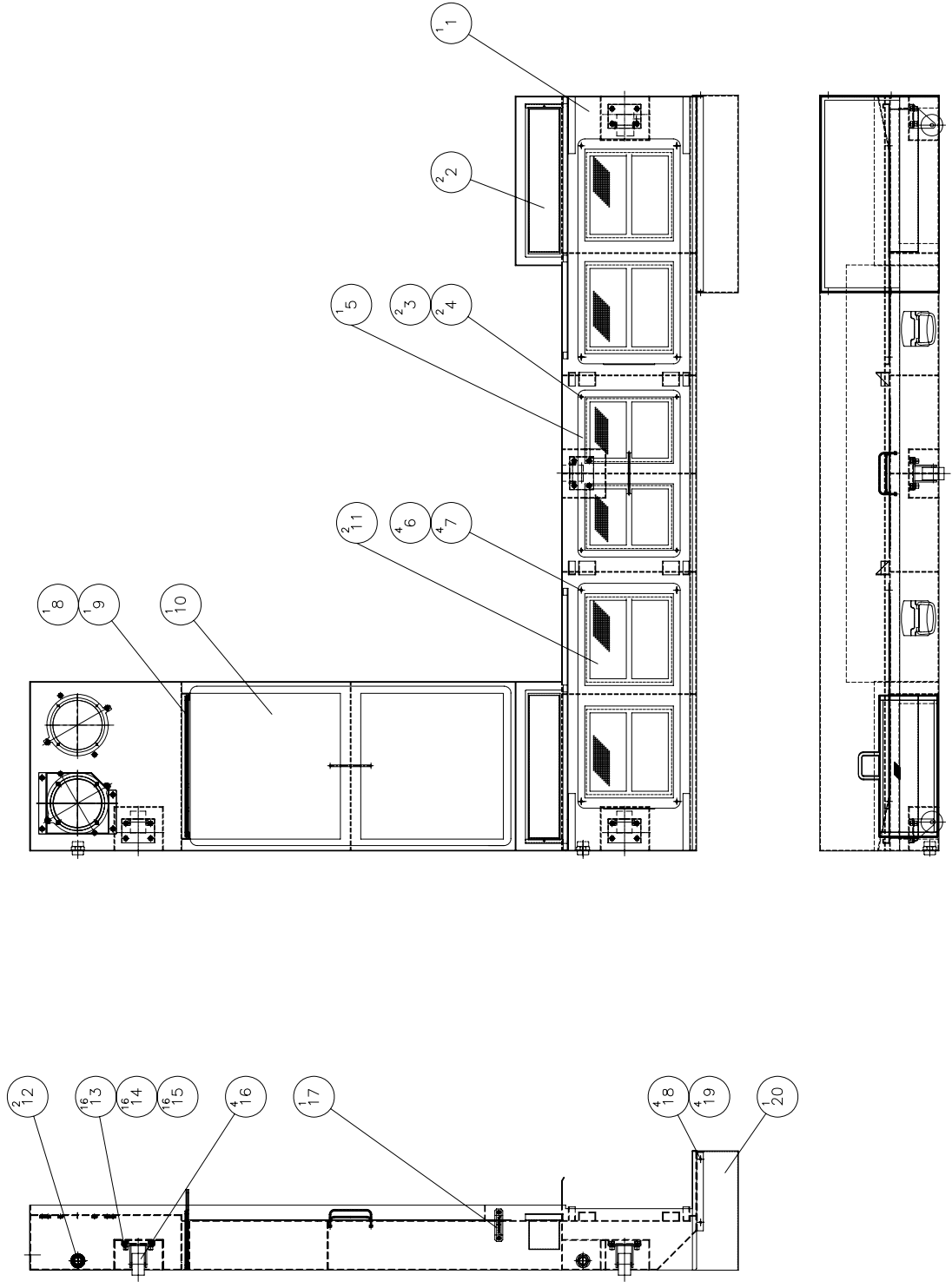
Item Part NO.	Description	中文名稱	Specification	Qty	Unit
1.00 NV 001044922A	WINDOW,DOOR	耐力板 (厚度12)	L628xW373xH12	2.00	EA
2.00 NV 000899002A	DEPRESSOR, WINDOW	窗戶壓板(耐力板厚度12用)	L642xWxH	2.00	EA
3.00 NV 000899001A	DEPRESSOR, WINDOW	窗戶壓板(耐力板厚度12用)	L642xWxH	2.00	EA
4.00 NV 001044924A	WINDOW,DOOR	耐力板 (厚度12)	L918xW373xH12	2.00	EA
5.00 NV 000899002A	DEPRESSOR, WINDOW	窗戶壓板(耐力板厚度12用)	L642xWxH	2.00	EA
6.00 NV 000899003A	DEPRESSOR, WINDOW	窗戶壓板(耐力板厚度12用)	L928xWxH	2.00	EA

Chapter 9

切削水箱

Coolant Tank

REV.	DESCRIPTION	DATE	ECN.
A	新設計	2006/8/28	
B	REV. 000331516A-NV000599(2A)	2007/9/19	793



MODEL: GX 600	
PART NAME	PART NUMBER
COOLANT TANK	NV 000331516A
冷却剤タンク	
DATE 2006/8/28	SCALE 1:20
DATE 2006/8/28	REV. B
	PAGE 1 OF 1

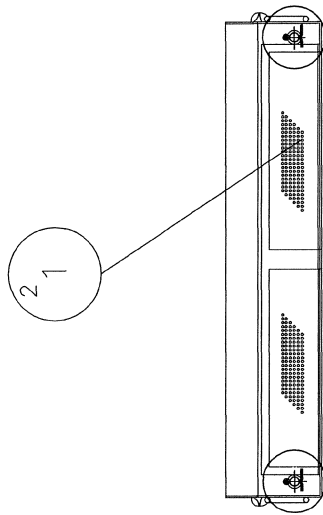
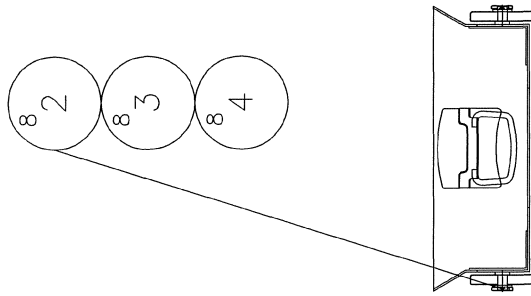
PRODUCT BOM MASTER AND SUB-ITEMS LIST

Master Item Part NO.: NV 000331516A

Description: COOLANT TANK
切削水箱

Item	Part NO.	Description	中文名稱	Specification	Qty	Unit
1.01	NVA000599020A	COOLANT TANK WELD ASSY	切削水箱	L2215xW1956xH350	1.00	EA
2.00	NV 000599024A	SCREEN, CHIP BUCKET	集屑盒	L350xW105xH110	2.00	EA
3.00	MS 0103414	SOCKET HEAD CAP SCREW	六角穴圓頭螺絲	M4xP0.7xL8	2.00	EA
4.00	MW 0183410	SPRING WASHER	彈簧墊圈	M4	2.00	EA
5.00	NVB001011530A	COVER, COOLANT TANK	蓋板	L560xW300xH32.5	1.00	EA
6.00	MS 0103414	SOCKET HEAD CAP SCREW	六角穴圓頭螺絲	M4xP0.7xL8	4.00	EA
7.00	MW 0183410	SPRING WASHER	彈簧墊圈	M4	4.00	EA
8.00	NV 000399095A	SCREEN, COOLANT TANK	過濾網	L417.5x174x5.6	1.00	EA
9.00	NV 000399094A	SCREEN, COOLANT TANK	過濾網	L417.5xW174x5.6	1.00	EA
10.00	NV 000599023A	COVER, COOLANT TANK	蓋板	L831xW467.5xH32.5	1.00	EA
11.00	NVB000199070A	COVER, COOLANT TANK	蓋板	L660xW300xH15	2.00	EA
12.00	NV 00077031708	PLUG, SOCKET HEX.	塞頭	PT1	2.00	EA
13.00	MS 0103817	SOCKET HEAD CAP SCREW	六角穴圓頭螺絲	M8xP1.25xL16	16.00	EA
14.00	MW 0183810	SPRING WASHER	彈簧墊圈	M8	16.00	EA
15.00	MW 0103810	FLAT WASHER	平墊圈	M8 (d8*D22.2)	16.00	EA
16.00	NV 00115570101	SWIVEL	活動輪	2(1/2")(MT02PA)	4.00	EA
17.00	NV 00113180101	GAUGE LEVEL	油面計	3"	1.00	EA
18.00	MW 0183410	SPRING WASHER	彈簧墊圈	M4	4.00	EA
19.00	MS 0303413	BUTTON HD. SOCKET	六角穴半圓頭螺絲	M4xP0.7xL6	4.00	EA
20.00	NVA000499082A	COVER	蓋板	L580xW350xH135	1.00	EA

REV	DESCRIPTION	DATE	ECN
A	第一次	2006/6/28	



MODEL: VMC600/800/1000

PART NAME
CHIP BUCKET

手置/吊桶

DATE 2006/6/28

ENGINEER
KIN
PHIL

SCALE 1:10

REV. A

PART NUMBER
NV 000331517A

PAGE 1 OF 1

REV. A

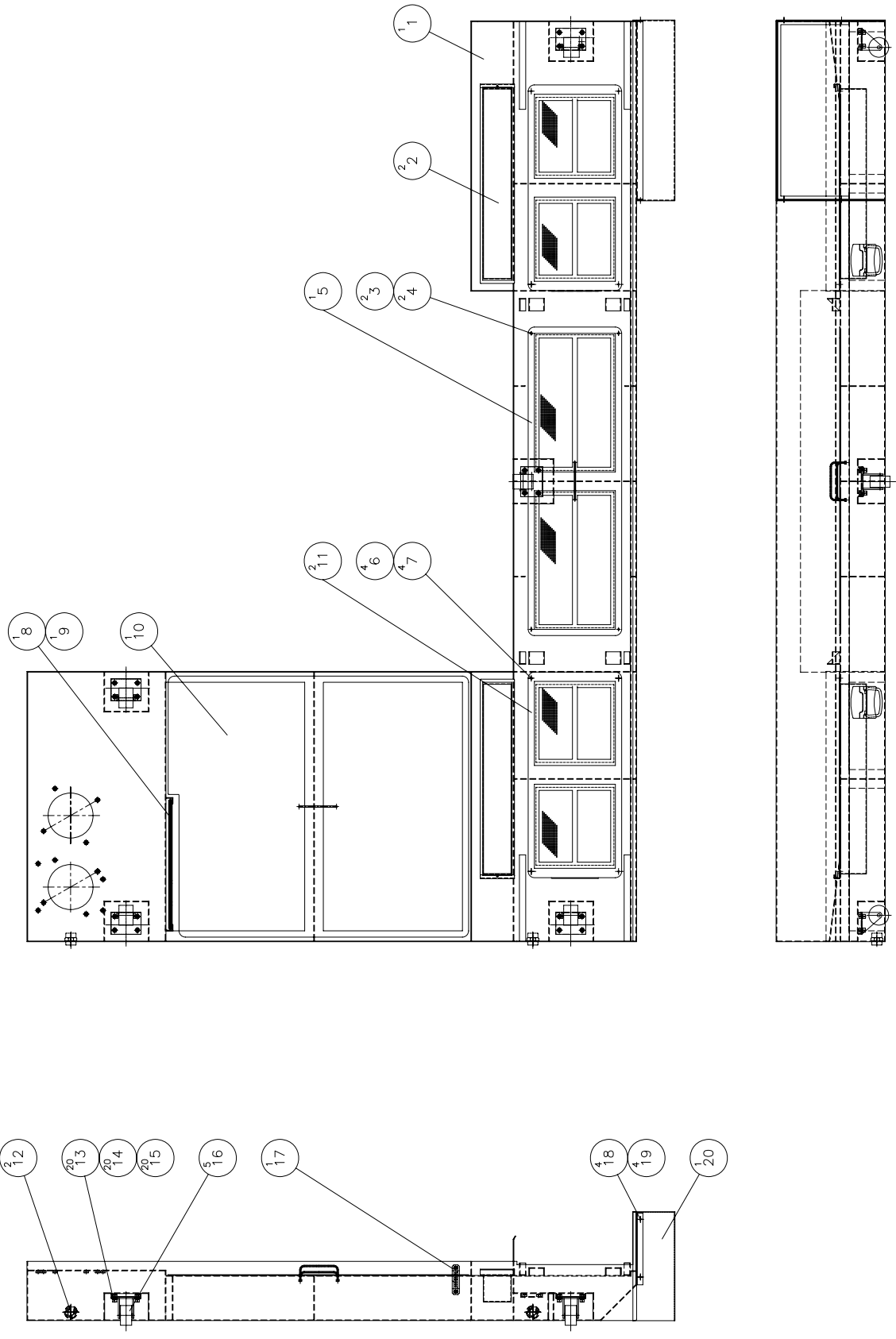
PRODUCT BOM MASTER AND SUB-ITEMS LIST

Master Item Part NO.: NV 000331517A

Description: CHIP BUCKET
集屑桶

Item Part NO.	Description	中文名稱	Specification	Qty	Unit
1.00 NVB000199069A	SCREEN, CHIP TANK	集屑桶	L633xW366xH123	2.00	EA
2.00 NV 00032530201	SPLIT PIN	開口銷	Φ4x25	8.00	EA
3.00 NV 000807401A	WHEEL, COOLANT TANK	水箱輪子	D80xd13.5x13	8.00	EA
4.00 MW 0104210	FLAT WASHER	平墊圈	M12(d13xD34)	8.00	EA

REV.	DESCRIPTION	DATE	ECN.
A	新仕様	2006/8/28	
B	INV0001990798-INV0005990248	2007/9/19	793



MODEL: GX 800/1000	
PART NAME	PART NUMBER
COOLANT TANK	NV 000331516B
冷却剤タンク	
DATE 2006/8/28	SCALE 1:20
REV. B	PAGE 1 OF 1

PRODUCT BOM MASTER AND SUB-ITEMS LIST

Master Item Part NO.: NV 000331516B

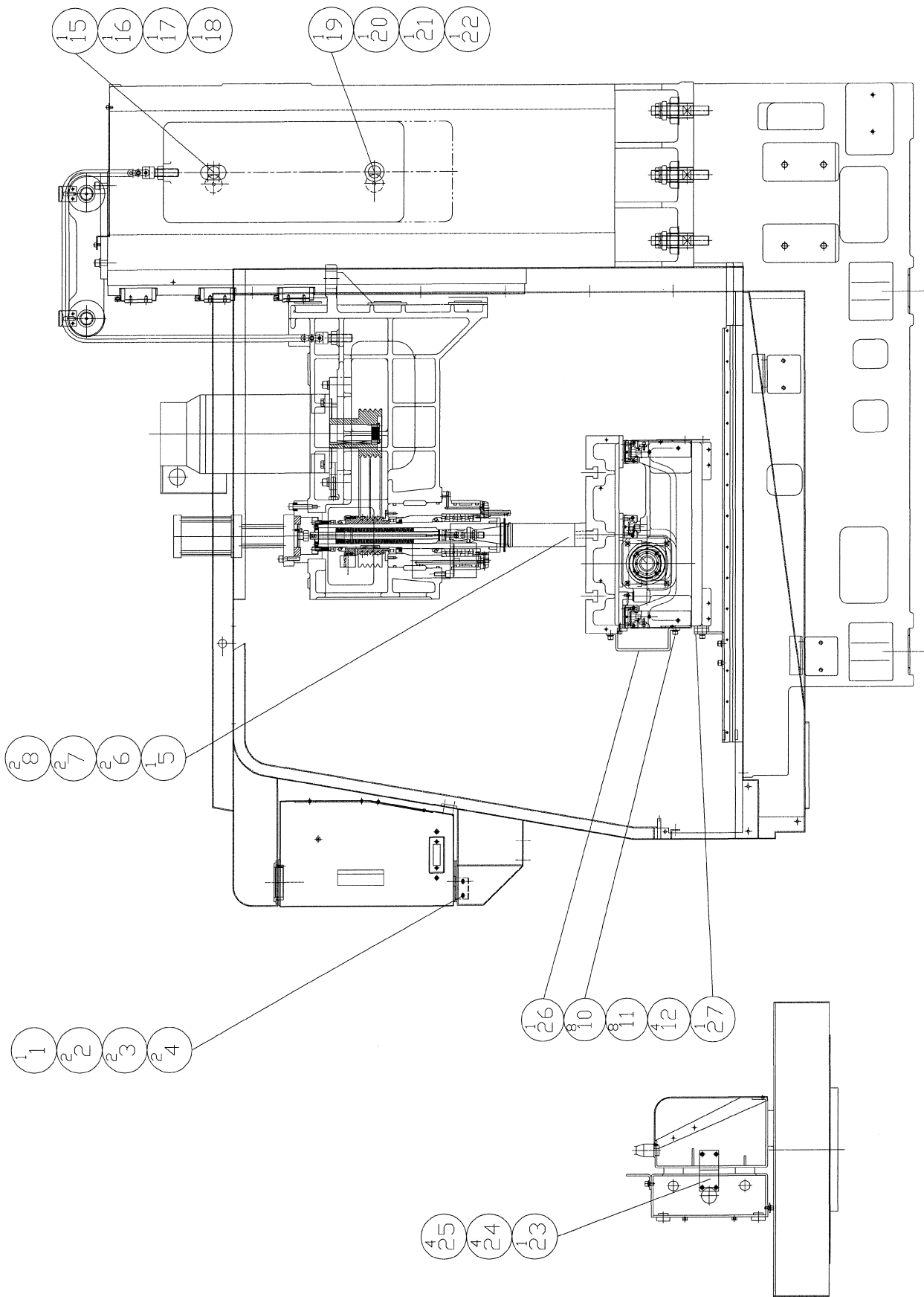
Description: COOLANT TANK
切削水箱

Item	Part NO.	Description	中文名稱	Specification	Qty	Unit
1.01	NVA000599020B	COOLANT TANK WELD ASSY	切削水箱	L2955xW1956xH350	1.00	EA
2.00	NV 000299030B	SCREEN, CHIP BUCKET	集屑盒	L640xW110xH105	2.00	EA
3.00	MS 0103414	SOCKET HEAD CAP SCREW	六角穴圓頭螺絲	M4xP0.7xL8	2.00	EA
4.00	MW 0183410	SPRING WASHER	彈簧墊圈	M4	2.00	EA
5.00	NVA001011530B	COVER, COOLANT TANK	蓋板	L990xW300xH32.5	1.00	EA
6.00	MS 0103414	SOCKET HEAD CAP SCREW	六角穴圓頭螺絲	M4xP0.7xL8	4.00	EA
7.00	MW 0183410	SPRING WASHER	彈簧墊圈	M4	4.00	EA
8.00	NV 000399095A	SCREEN, COOLANT TANK	過濾網	L417.5x174x5.6	1.00	EA
9.00	NV 000399094A	SCREEN, COOLANT TANK	過濾網	L417.5xW174x5.6	1.00	EA
10.00	NV 000399096B	COVER, COOLANT TANK	蓋板	L964xW837.5x32.5	1.00	EA
11.00	NVB000199070A	COVER, COOLANT TANK	蓋板	L660xW300xH15	2.00	EA
12.00	NV 00077031708	PLUG, SOCKET HEX.	塞頭	PT1	2.00	EA
13.00	MS 0103817	SOCKET HEAD CAP SCREW	六角穴圓頭螺絲	M8xP1.25xL16	20.00	EA
14.00	MW 0183810	SPRING WASHER	彈簧墊圈	M8	20.00	EA
15.00	MW 0103810	FLAT WASHER	平墊圈	M8 (d8*D22.2)	20.00	EA
16.00	NV 00115570101	SWIVEL	活動輪	2(1/2")(MT02PA)	5.00	EA
17.00	NV 00113180101	GAUGE LEVEL	油面計	3"	1.00	EA
18.00	MW 0183410	SPRING WASHER	彈簧墊圈	M4	4.00	EA
19.00	MS 0303413	BUTTON HD. SOCKET	六角穴半圓頭螺絲	M4xP0.7xL6	4.00	EA
20.00	NVA000499082A	COVER	蓋板	L580xW350xH135	1.00	EA

Chapter 10

運輸用固定零件

Shipping Parts



MODEL: VMC600/800/1000		SCALE: 1:15
PART NAME SHIPPING PARTS 送付部品		REV. A
PART NUMBER NV 001045302A	PAGE 1 OF 1	
DATE 1999/11/26		

PRODUCT BOM MASTER AND SUB-ITEMS LIST

Master Item Part NO.: NV 001045302A

Description: SHIPPING PARTS
運輸固定用零件

Item	Part NO.	Description	中文名稱	Specification	Qty	Unit
1.00	NV 000199074A	LOCK PLATE, SHIPPING	搬運固定板	L70xW38xH70	1.00	EA
2.00	MS 0103517	SOCKET HEAD CAP SCREW	六角穴圓頭螺絲	M5xP0.8xL16	2.00	EA
3.00	MW 0103510	FLAT WASHER	平墊圈	M5	2.00	EA
4.00	MW 0183510	SPRING WASHER	彈簧墊圈	M5	2.00	EA
5.00	S5100400007	TRANSPORT SHELF FOR SPINDLE	主軸運輸支撐架	L375xW340xH60	1.00	EA
10.00	MS 0103819	SOCKET HEAD CAP SCREW	六角穴圓頭螺絲	M8xP1.25xL25	8.00	EA
11.00	MW 0183810	SPRING WASHER	彈簧墊圈	M8	8.00	EA
12.00	MW 0103810	FLAT WASHER	平墊圈	M8 (d8*D22.2)	4.00	EA
15.00	NV 000415800A	BAR, BALANCE MOUNT	配重固定桿	D32XL545	1.00	EA
16.00	NV 000417301A	WASHER, COUNTER BALANCE	墊片	D46Xd9xL4.5	1.00	EA
17.00	MS 0103817	SOCKET HEAD CAP SCREW	六角穴圓頭螺絲	M8xP1.25xL16	1.00	EA
18.00	MW 0183810	SPRING WASHER	彈簧墊圈	M8	1.00	EA
19.00	NV 000415800A	BAR, BALANCE MOUNT	配重固定桿	D32XL545	1.00	EA
20.00	NV 000417301A	WASHER, COUNTER BALANCE	墊片	D46Xd9xL4.5	1.00	EA
21.00	MS 0103817	SOCKET HEAD CAP SCREW	六角穴圓頭螺絲	M8xP1.25xL16	1.00	EA
22.00	MW 0183810	SPRING WASHER	彈簧墊圈	M8	1.00	EA
23.00	NV 000299059A	PLATE, STORER	限制板	L106xW50xH20	1.00	EA
24.00	MS 0103617	SOCKET HEAD CAP SCREW	六角穴圓頭螺絲	M6xP1.0xL16	4.00	EA
25.00	MW 0183610	SPRING WASHER	彈簧墊圈	M6	4.00	EA
26.00	NV 000199032A	RETAINER, SHIPPING	固定板	L192.5xW70xH58	1.00	EA

PRODUCT BOM MASTER AND SUB-ITEMS LIST

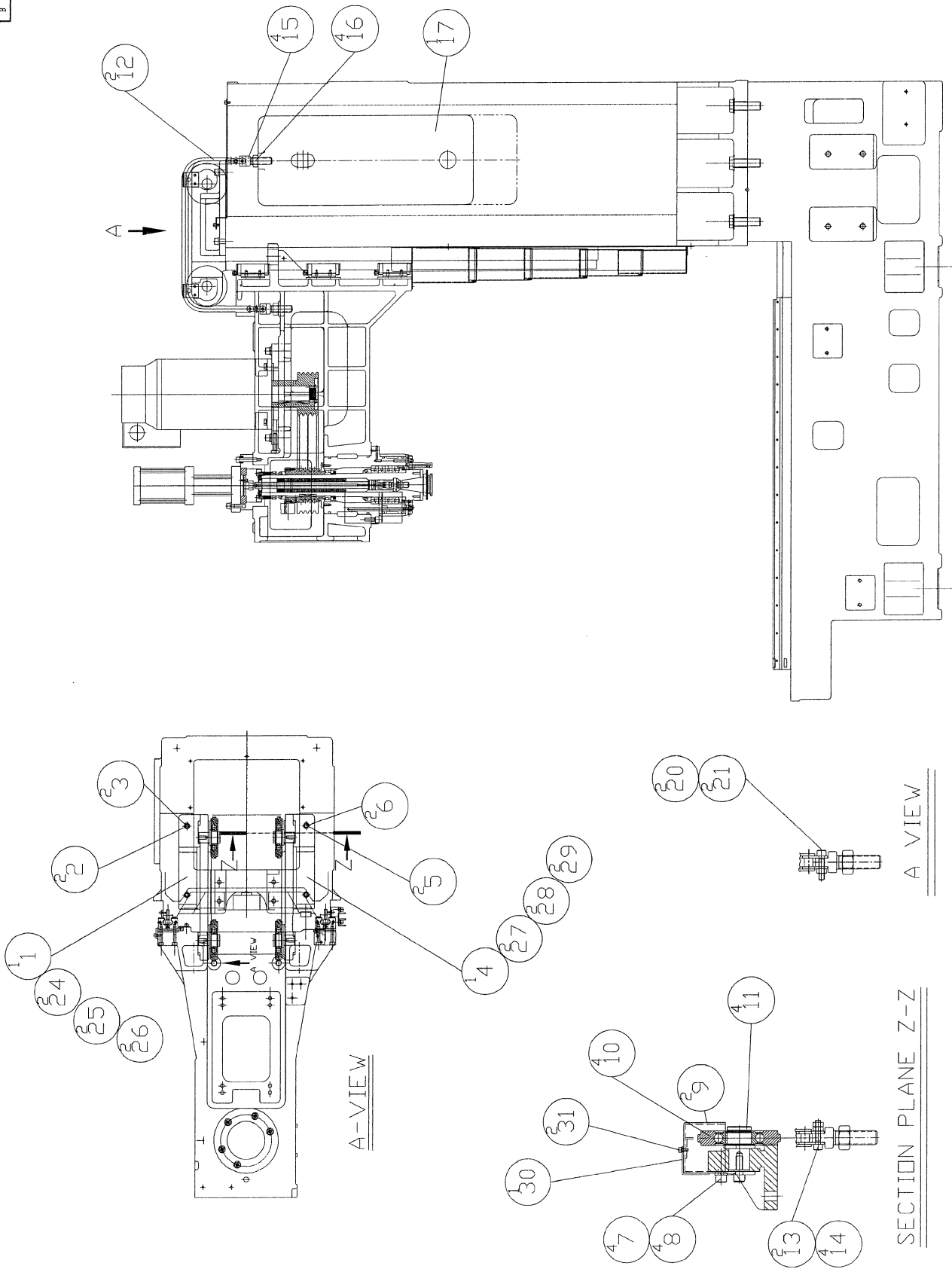
Item	Part NO.	Description	中文名稱	Specification	Qty	Unit
27.00	NV 000199033A	RETAINER, SHIPPING	固定板	L95xW60xH73	1.00	EA

Chapter 11

配重

Counter Balance

REV	DESCRIPTION	DATE	ECN
A	變放	2003/11/7	INV035
B	新設計	2007/7/23	574



MODEL: VMC600/800/1000	PART NUMBER	NVA000733001A
PART NAME	BALANCE WEIGHT ASSM(EXPORT)	
	配重<-60KG>	
DATE 2003/11/7	SCALE 1:17	REV. A
DATE 2003/11/7	SCALE 1:17	REV. A

PRODUCT BOM MASTER AND SUB-ITEMS LIST

Master Item Part NO.: NVA000733001A

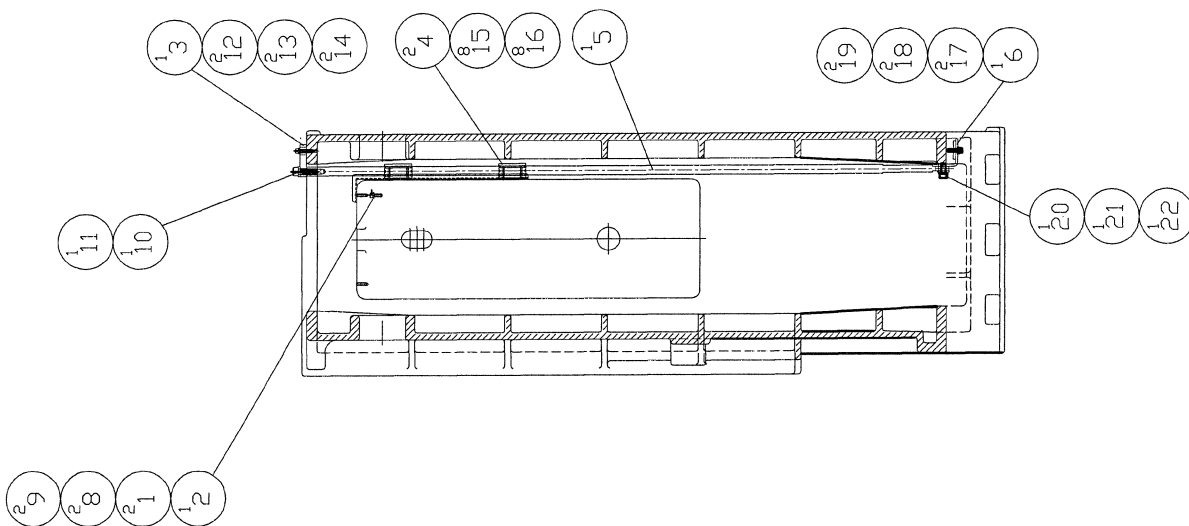
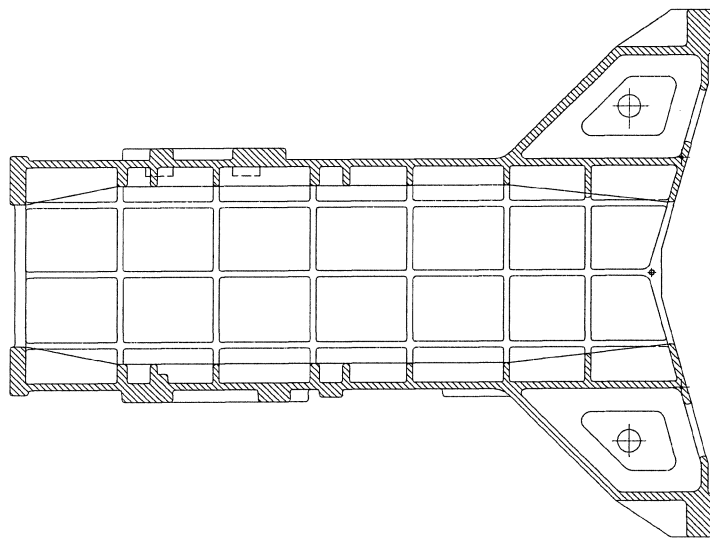
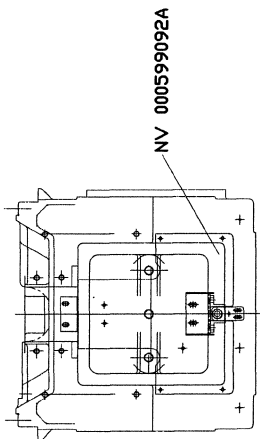
Description: balance weight assm(export)
配重(標準)

Item Part NO.	Description	中文名稱	Specification	Qty	Unit
1.01	NVC001066108A LEFT SEAT,CHAIN WHEEL	左鏈輪座	L422.5xW120xH93	1.00	EA
2.00	MS 0104222 SOCKET HEAD CAP SCREW	六角穴圓頭螺絲	M12XP1.75XL40	2.00	EA
3.00	MW 0184210 SPRING WASHER	彈簧墊圈	M12	2.00	EA
4.01	NVC001066109A RIGHT SEAT,CHAIN WHEEL	右鏈輪座	L422.5xW120xH93	1.00	EA
5.00	MW 0184210 SPRING WASHER	彈簧墊圈	M12	2.00	EA
6.00	MS 0104222 SOCKET HEAD CAP SCREW	六角穴圓頭螺絲	M12XP1.75XL40	2.00	EA
7.00	MS 0103617 SOCKET HEAD CAP SCREW	六角穴圓頭螺絲	M6xP1.0xL16	4.00	EA
8.00	MW 0183610 SPRING WASHER	彈簧墊圈	M6	4.00	EA
9.01	NV 001021560A CHAIN COVER, COUNTER BALANCE	配重鏈條蓋	L72.85XW493XH63.3	2.00	EA
10.00	NVA000807400A CHAIN WHEEL, COUNTER BALANCE	鏈條輥輪	D120Xd35xL21	4.00	EA
11.00	NV 00082310202 RING, C-RETAINING	C型外扣	S-35	4.00	EA
12.00	NVA00103910101 HEAVY DUTY CHAIN	重負載用滾子鏈條	L1314.45XW25.1XH17.5	2.00	ST
13.00	MS 0103821 SOCKET HEAD CAP SCREW	六角穴圓頭螺絲	M8xP1.25xL35	2.00	EA
14.00	MN 0113810 HEXAGON NUT	六角螺帽	M8xP1.25	4.00	EA
15.00	NV 000668401A BOLT, COUNTER BALANCE	螺栓	L95XW30XH30	4.00	EA
16.00	MN 0115010 HEXAGON NUT	六角螺帽	M20xP2.5	4.00	EA
17.00	NV 000733900A COUNTER BALANCE	配重(290KG)	L625XW260XH260	1.00	EA
20.00	MS 0103821 SOCKET HEAD CAP SCREW	六角穴圓頭螺絲	M8xP1.25xL35	2.00	EA
21.00	MN 0113810 HEXAGON NUT	六角螺帽	M8xP1.25	2.00	EA
24.00	NVB000403800A SHAFT, CHAIN WHEEL	鏈輪軸	D45xL63	2.00	EA

PRODUCT BOM MASTER AND SUB-ITEMS LIST

Item	Part NO.	Description	中文名稱	Specification	Qty	Unit
25.00	MS 0104017	SOCKET HEAD CAP SCREW	六角穴圓頭螺絲	M10xP1.5xL16	2.00	EA
26.00	NV 000299064A	WASHER	墊片	D45xd11xH5	2.00	EA
27.00	NVB000403800A	SHAFT, CHAIN WHEEL	鏈輪軸	D45xL63	2.00	EA
28.00	MS 0104017	SOCKET HEAD CAP SCREW	六角穴圓頭螺絲	M10xP1.5xL16	2.00	EA
29.00	NV 000299064A	WASHER	墊片	D45xd11xH5	2.00	EA
30.00	NV 001021561A	CHAIN COVER, COUNTER BALANCE	配重鏈條蓋板	L350XW41XH37	1.00	EA
31.00	MS 0103415	SOCKET HEAD CAP SCREW	六角穴圓頭螺絲	M4xP0.7xL10	2.00	EA

REV	DESCRIPTION	DATE	EDN
A	修改	2006/4/25	3E



MODEL: VMC600/800/1000

PART NUMBER

GUIDE ROD <BALANCE> NVA000733003A

配重導桿裝置

PAGE 1 OF 1

DATE 2006/4/25

SCALE 1:1

REV. A

PRODUCT BOM MASTER AND SUB-ITEMS LIST

Master Item Part NO.: NVA000733003A

Description: GUIDE ROD (BALANCE)
配重導桿裝置

Item	Part NO.	Description	中文名稱	Specification	Qty	Unit
1.01	MS 0103618	SOCKET HEAD CAP SCREW	六角穴圓頭螺絲	M6xP1.0xL20	2.00	EA
2.01	NV 000599086A	SUPPORT	配重導桿托架	L:385.3xW:60.3xH:92.6	1.00	ST
3.01	NV 000599090A	FIXED SUPPORT	固定座	L:64xW:30xH:15	1.00	ST
4.01	NV 000599087A	SEAT,(BALANCE)	配重導桿座	L:80xW:60xH:32	2.00	ST
5.01	NV 000699018A	guide ROD	配重導桿	D:20xL:1400	1.00	ST
6.01	NV 000599099A	GUIDE BRACKET,COUNTER BALANCE	導軌固定座	L430xW34xH68	1.00	ST
8.01	MW 0183610	SPRING WASHER	彈簧墊圈	M6	2.00	EA
9.01	MW 0103610	FLAT WASHER	平墊圈	M6(d6*D19*H2)	2.00	EA
10.01	MS 0104222	SOCKET HEAD CAP SCREW	六角穴圓頭螺絲	M12XP1.75XL40	1.00	EA
11.01	MW 0184210	SPRING WASHER	彈簧墊圈	M12	1.00	EA
12.01	MS 0103620	SOCKET HEAD CAP SCREW	六角穴圓頭螺絲	M6xP1.0xL30	2.00	EA
13.01	MW 0183610	SPRING WASHER	彈簧墊圈	M6	2.00	EA
14.01	MW 0103610	FLAT WASHER	平墊圈	M6(d6*D19*H2)	2.00	EA
15.01	MS 0103419	SOCKET HEAD CAP SCREW	六角穴圓頭螺絲	M4xP0.7xL25	8.00	EA
16.01	MW 0103410	FLAT WASHER	平墊圈	M4x10Dx1T	8.00	EA
17.01	MS 0103619	SOCKET HEAD CAP SCREW	六角穴圓頭螺絲	M6xP1.0xL25	2.00	EA
18.01	MW 0183610	SPRING WASHER	彈簧墊圈	M6	2.00	EA
19.01	MW 0103610	FLAT WASHER	平墊圈	M6(d6*D19*H2)	2.00	EA
20.01	MS 0104018	SOCKET HEAD CAP SCREW	六角穴圓頭螺絲	M10xP1.5xL20	1.00	EA
21.01	MW 0184010	SPRING WASHER	彈簧墊圈	M10	1.00	EA

PRODUCT BOM MASTER AND SUB-ITEMS LIST

Item	Part NO.	Description	中文名稱	Specification	Qty	Unit
22.01	MW 0104010	FLAT WASHER	平墊圈	M10	1.00	EA

PRODUCT BOM MASTER AND SUB-ITEMS LIST

Master Item Part NO.: NVA000733002A

Description: balance weight assm(hi-torque)
配重(350KG)

Item	Part NO.	Description	中文名稱	Specification	Qty	Unit
1.01	NVC001066108A	LEFT SEAT,CHAIN WHEEL	左鏈輪座	L422.5xW120xH93	1.00	EA
2.00	MS 0104222	SOCKET HEAD CAP SCREW	六角穴圓頭螺絲	M12XP1.75XL40	2.00	EA
3.00	MW 0184210	SPRING WASHER	彈簧墊圈	M12	2.00	EA
4.01	NVC001066109A	RIGHT SEAT,CHAIN WHEEL	右鏈輪座	L422.5xW120xH93	1.00	EA
5.00	MW 0184210	SPRING WASHER	彈簧墊圈	M12	2.00	EA
6.00	MS 0104222	SOCKET HEAD CAP SCREW	六角穴圓頭螺絲	M12XP1.75XL40	2.00	EA
7.00	MS 0103617	SOCKET HEAD CAP SCREW	六角穴圓頭螺絲	M6xP1.0xL16	4.00	EA
8.00	MW 0183610	SPRING WASHER	彈簧墊圈	M6	4.00	EA
9.01	NV 001021560A	CHAIN COVER, COUNTER BALANCE	配重鏈條蓋	L72.85XW493XH63.3	2.00	EA
10.00	NVA000807400A	CHAIN WHEEL, COUNTER BALANCE	鏈條輥輪	D120Xd35xL21	4.00	EA
11.00	NV 00082310202	RING, C-RETAINING	C型外扣	S-35	4.00	EA
12.00	NVA00103910101	HEAVY DUTY CHAIN	重負載用滾子鏈條	L1314.45XW25.1XH17.5	2.00	ST
13.00	MS 0103821	SOCKET HEAD CAP SCREW	六角穴圓頭螺絲	M8xP1.25xL35	2.00	EA
14.00	MN 0113810	HEXAGON NUT	六角螺帽	M8xP1.25	4.00	EA
15.00	NV 000668401A	BOLT, COUNTER BALANCE	螺栓	L95XW30XH30	4.00	EA
16.00	MN 0115010	HEXAGON NUT	六角螺帽	M20xP2.5	4.00	EA
17.01	NV 000733901A	COUNTER BALANCE	配重(350KG)	L750xW260xH260	1.00	EA
20.00	MS 0103821	SOCKET HEAD CAP SCREW	六角穴圓頭螺絲	M8xP1.25xL35	2.00	EA
21.00	MN 0113810	HEXAGON NUT	六角螺帽	M8xP1.25	2.00	EA
24.00	NVB000403800A	SHAFT, CHAIN WHEEL	鏈輪軸	D45xL63	2.00	EA

PRODUCT BOM MASTER AND SUB-ITEMS LIST

Item	Part NO.	Description	中文名稱	Specification	Qty	Unit
25.00	MS 0104017	SOCKET HEAD CAP SCREW	六角穴圓頭螺絲	M10xP1.5xL16	2.00	EA
26.00	NV 000299064A	WASHER	墊片	D45xd11xH5	2.00	EA
27.00	NVB000403800A	SHAFT, CHAIN WHEEL	鏈輪軸	D45xL63	2.00	EA
28.00	MS 0104017	SOCKET HEAD CAP SCREW	六角穴圓頭螺絲	M10xP1.5xL16	2.00	EA
29.00	NV 000299064A	WASHER	墊片	D45xd11xH5	2.00	EA
30.00	NV 001021561A	CHAIN COVER, COUNTER BALANCE	配重鏈條蓋板	L350XW41XH37	1.00	EA
31.00	MS 0103415	SOCKET HEAD CAP SCREW	六角穴圓頭螺絲	M4xP0.7xL10	2.00	EA

Chapter 12

工具袋

Tool kit(No Drawing)

PRODUCT BOM MASTER AND SUB-ITEMS LIST

Master Item Part NO.: NV 000005002A

Description: TOOL KIT(USA)
工具袋(美國)

Item	Part NO.	Description	中文名稱	Specification	Qty	Unit
1.00	NV 00080640101	CLEANER, SPINDLE TAPER	主軸錐孔清潔器	NO.40	1.00	EA
2.00	NV 00070070302	TUBE, PU COIL WICH ADAPTER	風壓用伸縮管附接頭	[CHI-YING]0850-6M	1.00	EA
3.00	NV 01070350102	AIR NOZZLE	空氣噴槍	30PSI MAX, OSHA REQUIREMENT,MM	1.00	EA
4.00	NV 00000470101	HEX. WRENCH	六角扳手	3mm	1.00	EA
5.00	NV 00000470102	HEX. WRENCH	六角扳手	4mm	1.00	EA
6.00	NV 00000470103	HEX. WRENCH	六角扳手	5mm	1.00	EA
7.00	NV 00000470104	HEX. WRENCH	六角扳手	6mm	1.00	EA
8.00	NV 00000470105	HEX. WRENCH	六角扳手	8mm	1.00	EA
9.00	NV 00000470106	HEX. WRENCH	六角扳手	10mm	1.00	EA
10.00	NV 00000470107	HEX. WRENCH	六角扳手	12mm	1.00	EA
11.00	NV 00000470108	HEX. WRENCH	六角扳手	14mm	1.00	EA
12.00	NV 00000470109	HEX. WRENCH	六角扳手	16mm	1.00	EA
13.00	NV 00000470201	OPEN WRENCH	開口扳手(兩端)	8x10	1.00	EA
14.00	NV 00000470401	SCREW DRIVER	塑膠柄起子	- 0.2x4"	1.00	EA
15.00	NV 00000470501	SCREW DRIVER	塑膠柄起子	+ 6"x8mm	1.00	EA
16.00	NV 00000470601	LIFE WRENCH	活動扳手	10"	1.00	EA
17.00	NV 00000470801	TOOL BAG	工具袋	TOOL	1.00	EA
18.00	NV 00000470902	GREASE GUN	黃油槍	[PRESSOL] 12732 1/8PT 500cc	1.00	EA
19.00	NV 00077031402	PRESTO ADAPTER, STRAIGHT MALE	外牙直快速接頭(公)	PT1/4"(PM20)	1.00	EA

PRODUCT BOM MASTER AND SUB-ITEMS LIST

Master Item Part NO.: NV 000005001A

Description: TOOL KIT
工具袋

Item	Part NO.	Description	中文名稱	Specification	Qty	Unit
1.00	NV 00080640101	CLEANER, SPINDLE TAPER	主軸錐孔清潔器	NO.40	1.00	EA
2.00	NV 00070070302	TUBE, PU COIL WICH ADAPTER	風壓用伸縮管附接頭	[CHI-YING]0850-6M	1.00	EA
3.00	NV 01070350101	AIR FLOW GUN	空氣噴槍	KS 100mm	1.00	EA
4.00	NV 00000470101	HEX. WRENCH	六角扳手	3mm	1.00	EA
5.00	NV 00000470102	HEX. WRENCH	六角扳手	4mm	1.00	EA
6.00	NV 00000470103	HEX. WRENCH	六角扳手	5mm	1.00	EA
7.00	NV 00000470104	HEX. WRENCH	六角扳手	6mm	1.00	EA
8.00	NV 00000470105	HEX. WRENCH	六角扳手	8mm	1.00	EA
9.00	NV 00000470106	HEX. WRENCH	六角扳手	10mm	1.00	EA
10.00	NV 00000470107	HEX. WRENCH	六角扳手	12mm	1.00	EA
11.00	NV 00000470108	HEX. WRENCH	六角扳手	14mm	1.00	EA
12.00	NV 00000470109	HEX. WRENCH	六角扳手	16mm	1.00	EA
13.00	NV 00000470201	OPEN WRENCH	開口扳手(兩端)	8x10	1.00	EA
14.00	NV 00000470401	SCREW DRIVER	塑膠柄起子	- 0.2x4"	1.00	EA
15.00	NV 00000470501	SCREW DRIVER	塑膠柄起子	+ 6"x8mm	1.00	EA
16.00	NV 00000470601	LIFE WRENCH	活動扳手	10"	1.00	EA
17.00	NV 00000470801	TOOL BAG	工具袋	TOOL	1.00	EA
18.00	NV 00000470902	GREASE GUN	黃油槍	[PRESSOL] 12732 1/8PT 500cc	1.00	EA
19.00	NV 00077031402	PRESTO ADAPTER, STRAIGHT MALE	外牙直快速接頭(公)	PT1/4"(PM20)	1.00	EA

PRODUCT BOM MASTER AND SUB-ITEMS LIST

Master Item Part NO.: NV 000005003A

Description: TOOL KIT(CE)
工具袋(CE)

Item	Part NO.	Description	中文名稱	Specification	Qty	Unit
1.00	NV 00080640101	CLEANER, SPINDLE TAPER	主軸錐孔清潔器	NO.40	1.00	EA
4.00	NV 00000470101	HEX. WRENCH	六角扳手	3mm	1.00	EA
5.00	NV 00000470102	HEX. WRENCH	六角扳手	4mm	1.00	EA
6.00	NV 00000470103	HEX. WRENCH	六角扳手	5mm	1.00	EA
7.00	NV 00000470104	HEX. WRENCH	六角扳手	6mm	1.00	EA
8.00	NV 00000470105	HEX. WRENCH	六角扳手	8mm	1.00	EA
9.00	NV 00000470106	HEX. WRENCH	六角扳手	10mm	1.00	EA
10.00	NV 00000470107	HEX. WRENCH	六角扳手	12mm	1.00	EA
11.00	NV 00000470108	HEX. WRENCH	六角扳手	14mm	1.00	EA
12.00	NV 00000470109	HEX. WRENCH	六角扳手	16mm	1.00	EA
13.00	NV 00000470201	OPEN WRENCH	開口扳手(兩端)	8x10	1.00	EA
14.00	NV 00000470401	SCREW DRIVER	塑膠柄起子	- 0.2x4"	1.00	EA
15.00	NV 00000470501	SCREW DRIVER	塑膠柄起子	+ 6"x8mm	1.00	EA
16.00	NV 00000470601	LIFE WRENCH	活動扳手	10"	1.00	EA
17.00	NV 00000470801	TOOL BAG	工具袋	TOOL	1.00	EA
18.00	NV 00000470902	GREASE GUN	黃油槍	[PRESSOL] 12732 1/8PT 500cc	1.00	EA



Hardinge Taiwan Precision Machinery Limited.

Address : 4 Tzu Chiang 3rd Rd., Nan Tou City, 540 Taiwan

Tel : 886-49-2260-536

Fax : 886-49-2252-203 886-49-2254-167

E-mail : www.hardinge.com.tw